



US00D939212S

(12) **United States Design Patent** (10) **Patent No.:** **US D939,212 S**  
**Saxton et al.** (45) **Date of Patent:** **\*\* Dec. 28, 2021**

(54) **WIRELESS EARPHONE CASE**  
(71) Applicant: **Logitech Europe S.A.**, Lausanne (CH)  
(72) Inventors: **Jeremy Saxton**, Draper, UT (US);  
**Guillaume Mathias**, Park City, UT (US)  
(73) Assignee: **LOGITECH EUROPE S.A.**, Lausanne (CH)  
(\*\*) Term: **15 Years**  
(21) Appl. No.: **29/699,834**  
(22) Filed: **Jul. 29, 2019**  
(51) **LOC (13) Cl.** ..... **03-01**  
(52) **U.S. Cl.**  
USPC ..... **D3/294**  
(58) **Field of Classification Search**  
USPC ..... D3/201, 203.1, 203.3, 203.6, 205, 218,  
D3/272-273, 294-295, 301, 319;  
D14/223, 229, 440  
(Continued)

(56) **References Cited**  
U.S. PATENT DOCUMENTS  
D772,572 S \* 11/2016 Palmborg ..... D3/294  
D841,581 S \* 2/2019 Bonahoom ..... D13/108  
(Continued)

*Primary Examiner* — Holly E Thurman  
(74) *Attorney, Agent, or Firm* — Patterson & Sheridan, LLP

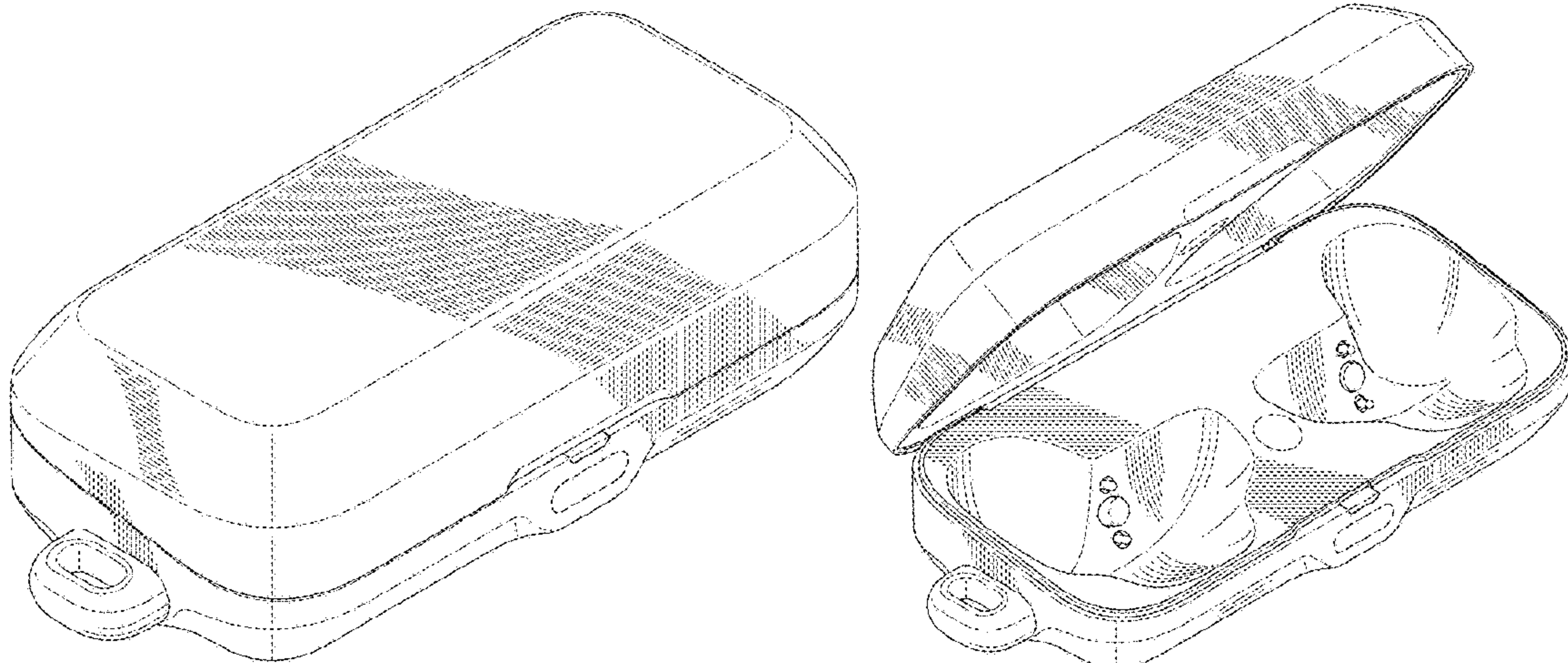
(57) **CLAIM**  
The ornamental design of a wireless earphone case, as shown and described.

**DESCRIPTION**

FIG. 1 is a top front left side perspective view of a wireless earphone case in a closed configuration according to our design;

FIG. 2 is a top rear right side perspective view of the wireless earphone case shown in FIG. 1;  
FIG. 3 is a bottom front left side perspective view of the wireless earphone case shown in FIG. 1;  
FIG. 4 is a bottom rear right side perspective view of the wireless earphone case shown in FIG. 1;  
FIG. 5 is a front side view of the wireless earphone case shown in FIG. 1;  
FIG. 6 is a right side view of the wireless earphone case shown in FIG. 1;  
FIG. 7 is a rear side view of the wireless earphone case shown in FIG. 1;  
FIG. 8 is a left side view of the wireless earphone case shown in FIG. 1;  
FIG. 9 is a top side view of the wireless earphone case shown in FIG. 1;  
FIG. 10 is a bottom side view of the wireless earphone case shown in FIG. 1;  
FIG. 11 is a top front left side perspective view of a wireless earphone case in an open configuration according to our design;  
FIG. 12 is a top rear right side perspective view of the wireless earphone case shown in FIG. 11;  
FIG. 13 is a bottom front left side perspective view of the wireless earphone case shown in FIG. 11;  
FIG. 14 is a bottom rear right side perspective view of the wireless earphone case shown in FIG. 11;  
FIG. 15 is a front side view of the wireless earphone case shown in FIG. 11;  
FIG. 16 is a right side view of the wireless earphone case shown in FIG. 11;  
FIG. 17 is a rear side view of the wireless earphone case shown in FIG. 11;  
FIG. 18 is a left side view of the wireless earphone case shown in FIG. 11;  
FIG. 19 is a top side view of the wireless earphone case shown in FIG. 11; and,  
FIG. 20 is a bottom side view of the wireless earphone case shown in FIG. 11.  
The dashed lines shown in the various figures are provided for the purpose of illustrating unclaimed portions of the wireless earphone case, and form no part of the claimed design.

**1 Claim, 20 Drawing Sheets**



(58) **Field of Classification Search**

CPC ..... A45F 5/00; A45C 13/002; A45C 13/005

See application file for complete search history.

(56) **References Cited**

U.S. PATENT DOCUMENTS

D843,937	S	*	3/2019	Xiao	.....	D13/108
D846,264	S	*	4/2019	Wu	.....	D3/201
D873,217	S	*	1/2020	Zhang	.....	D13/108
D878,048	S	*	3/2020	Wang	.....	D3/294
D882,262	S	*	4/2020	Zhang	.....	D3/294
D886,454	S	*	6/2020	Williamson	.....	D3/294
D886,455	S	*	6/2020	Williamson	.....	D3/294
D904,760	S	*	12/2020	Hyun	.....	D3/273
D906,238	S	*	12/2020	Zhang	.....	D13/108
D908,084	S	*	1/2021	He	.....	D13/108
D914,603	S	*	3/2021	Wang	.....	D13/118
D919,293	S	*	5/2021	Fang	.....	D3/295
D919,294	S	*	5/2021	Fang	.....	D3/295
D924,130	S	*	7/2021	Zhang	.....	D13/108

\* cited by examiner



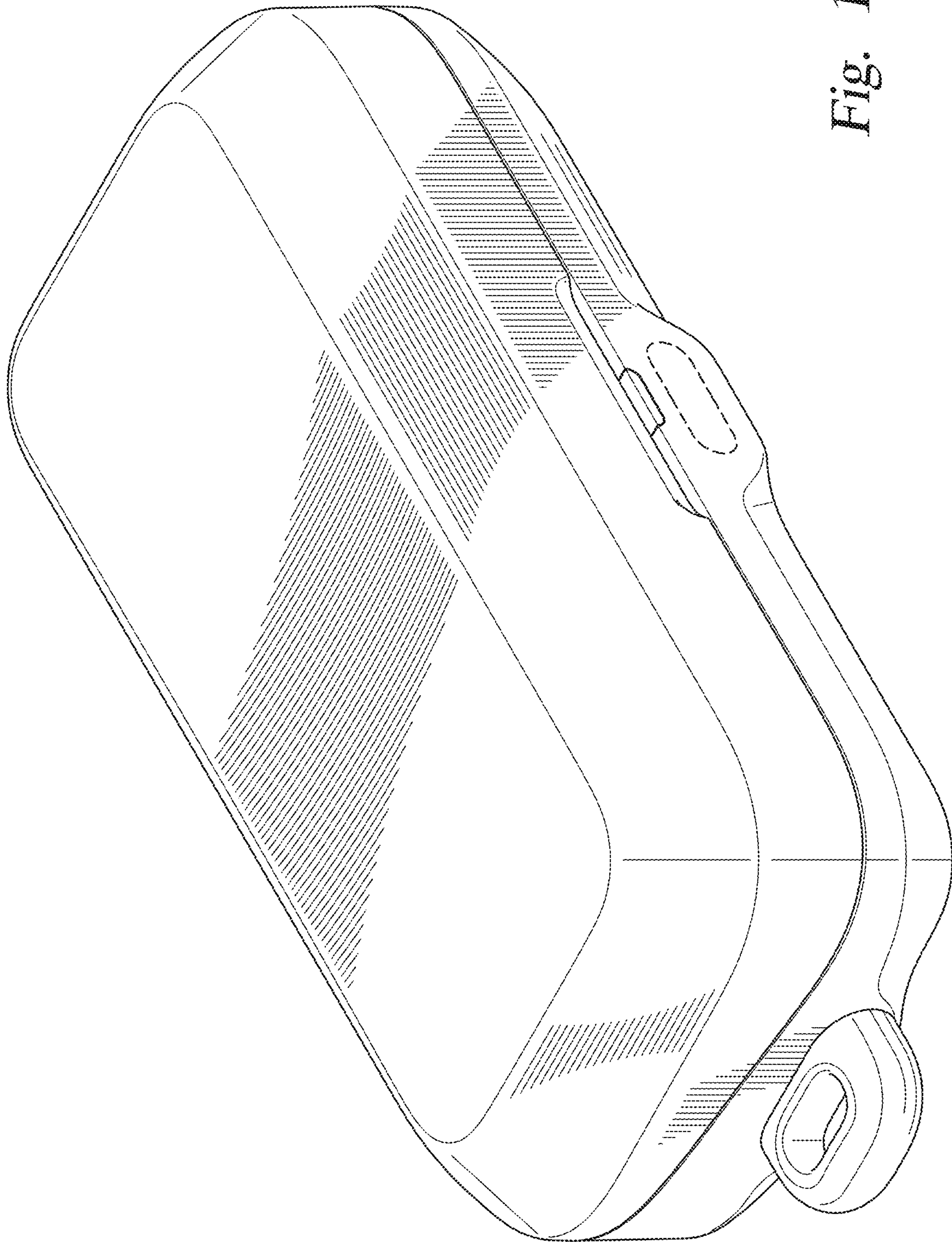


Fig. 1

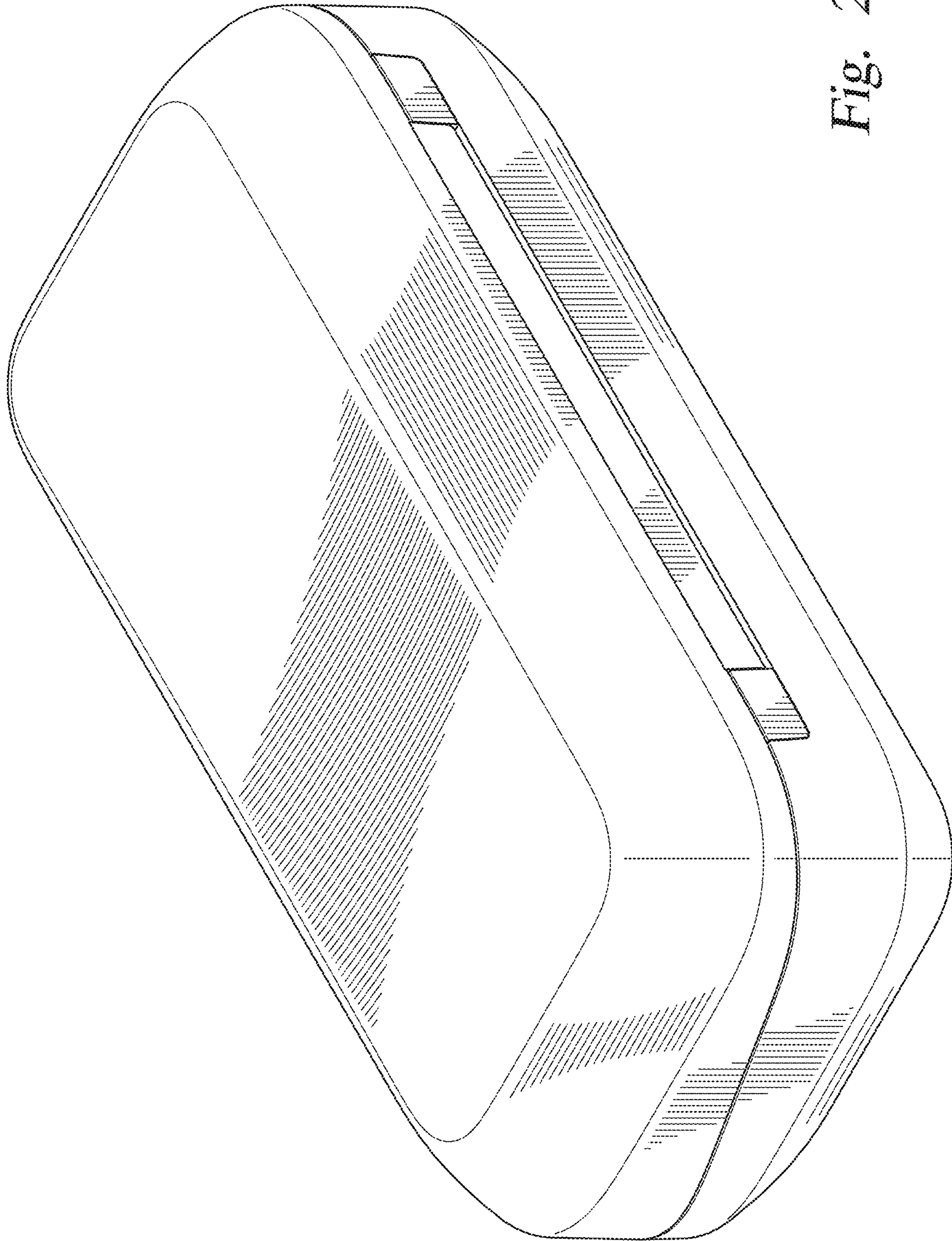


Fig. 2



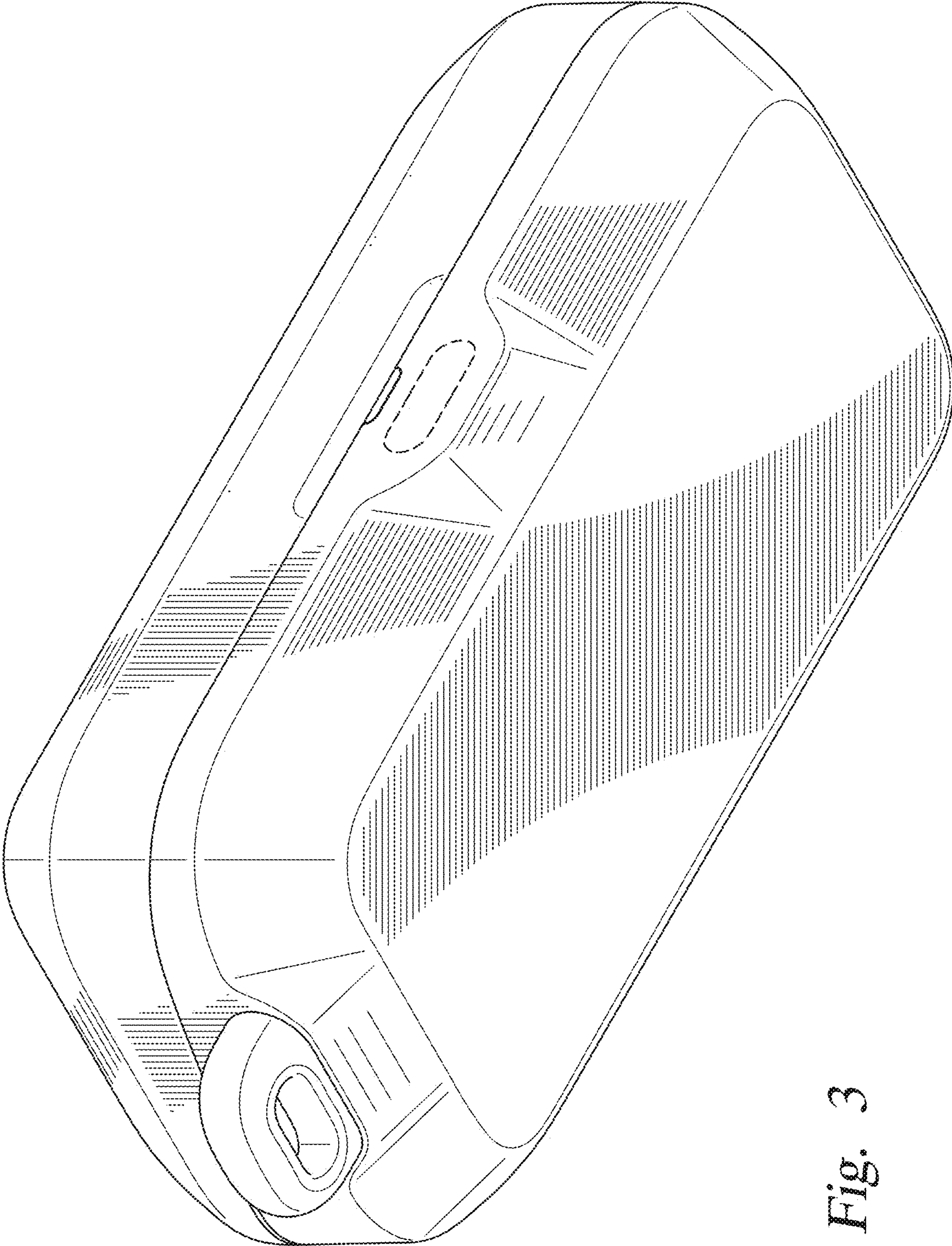


Fig. 3

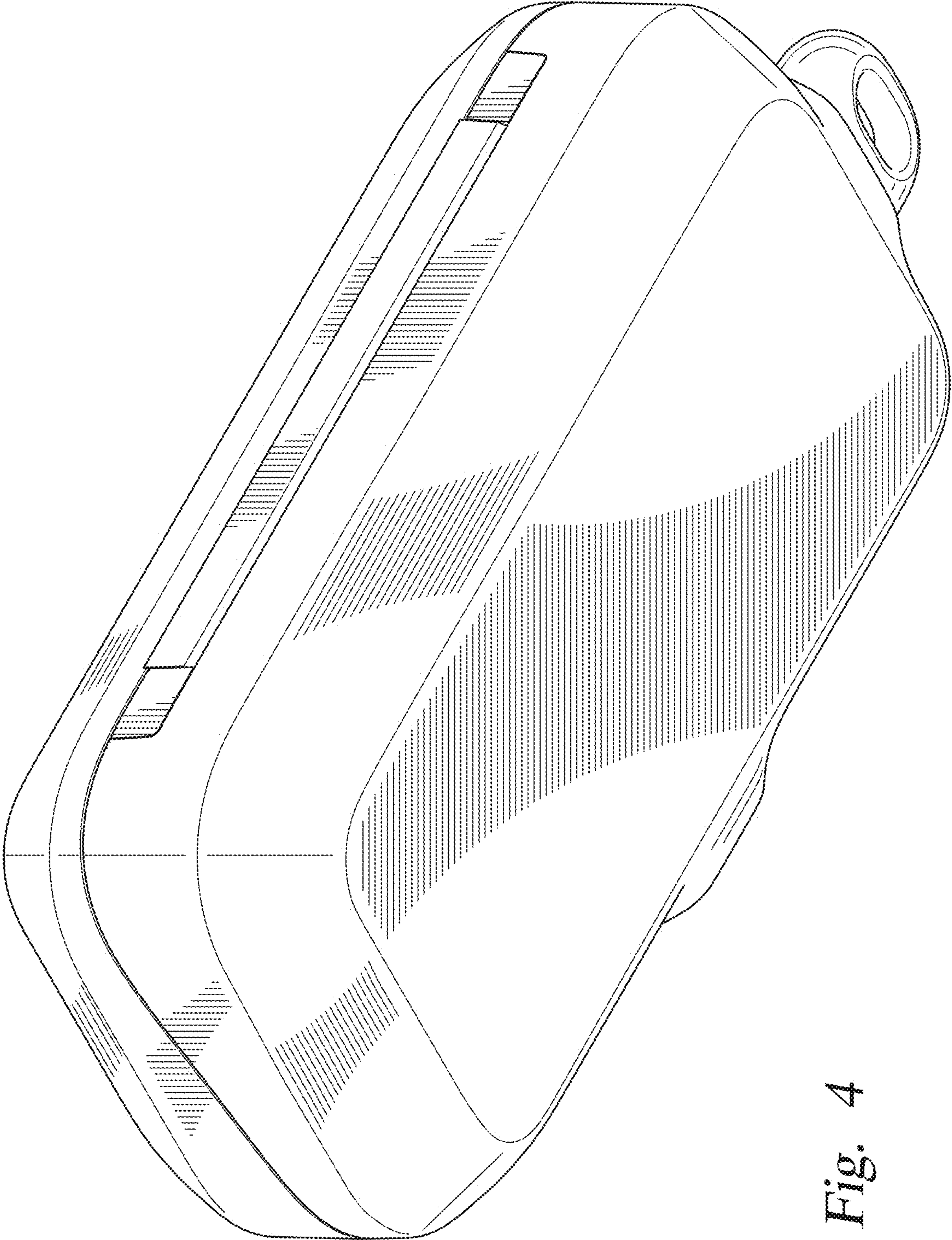


Fig. 4

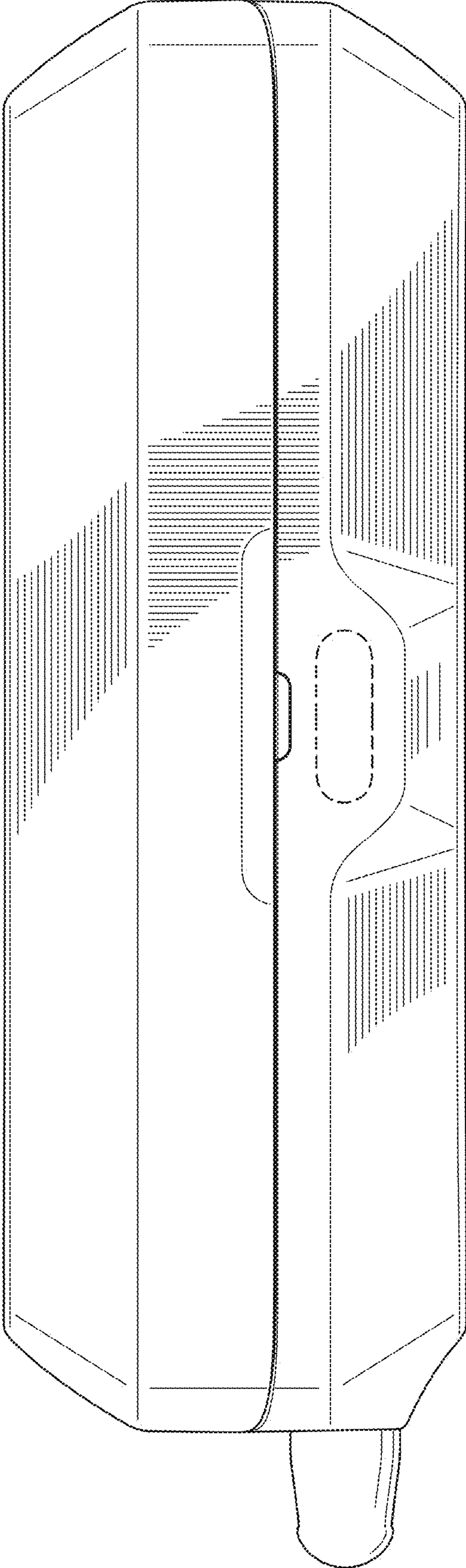
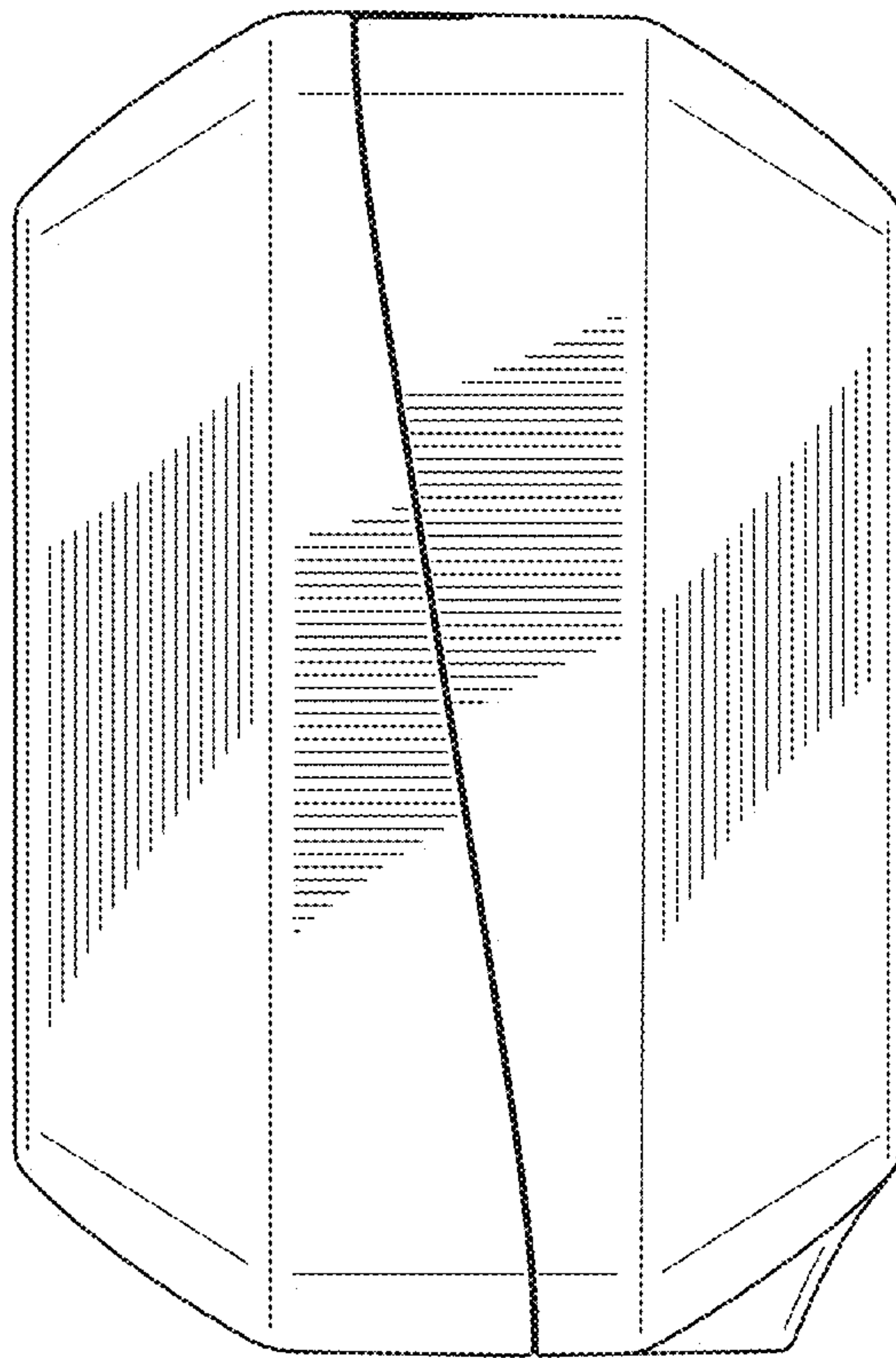


Fig. 5





*Fig. 6*



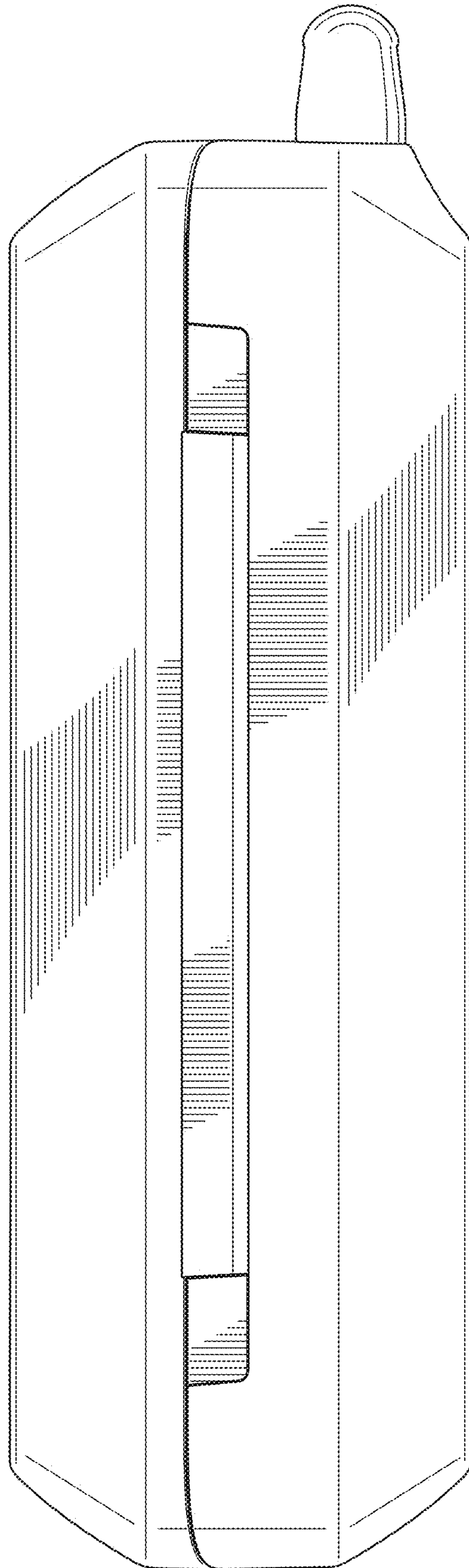


Fig. 7

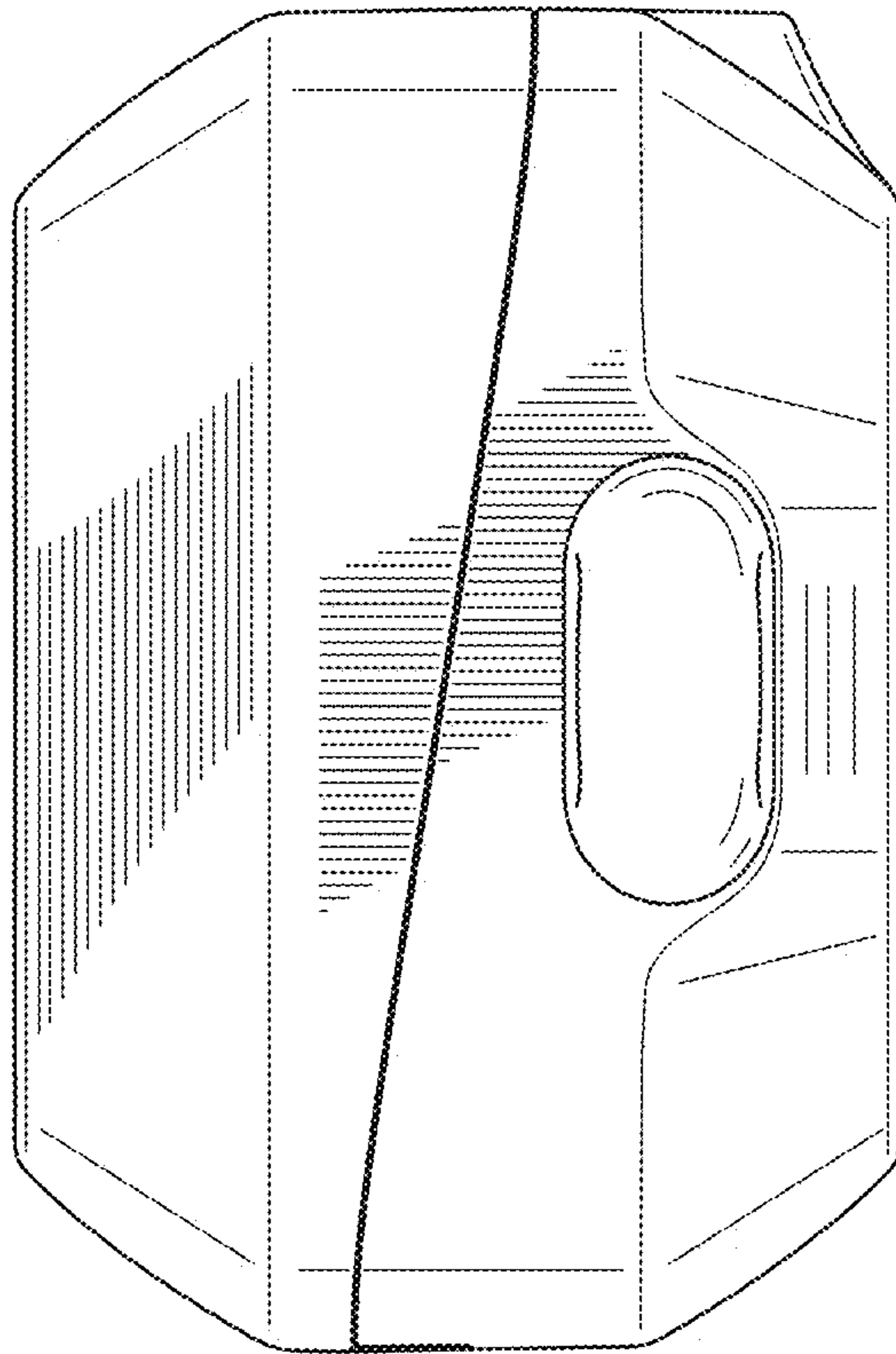


Fig. 8

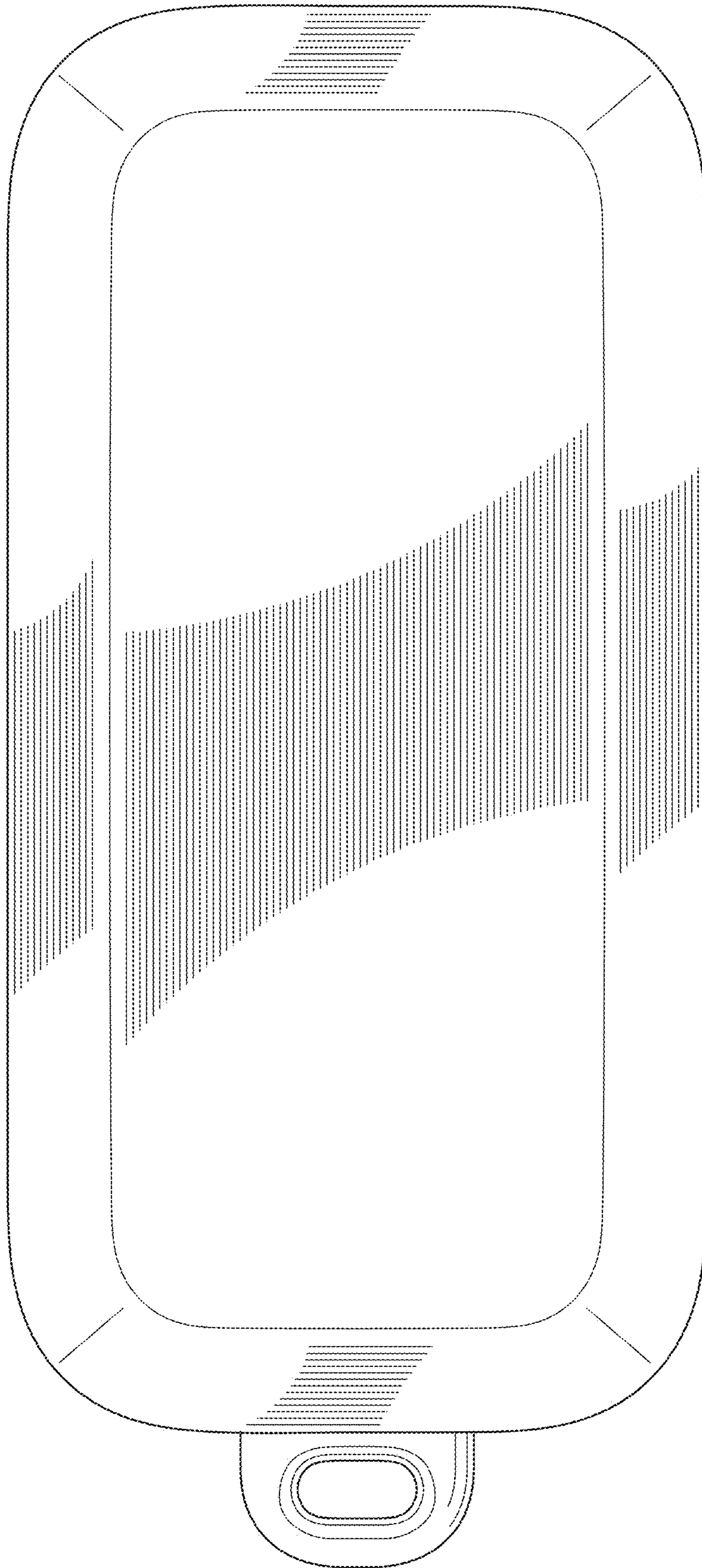


Fig. 9



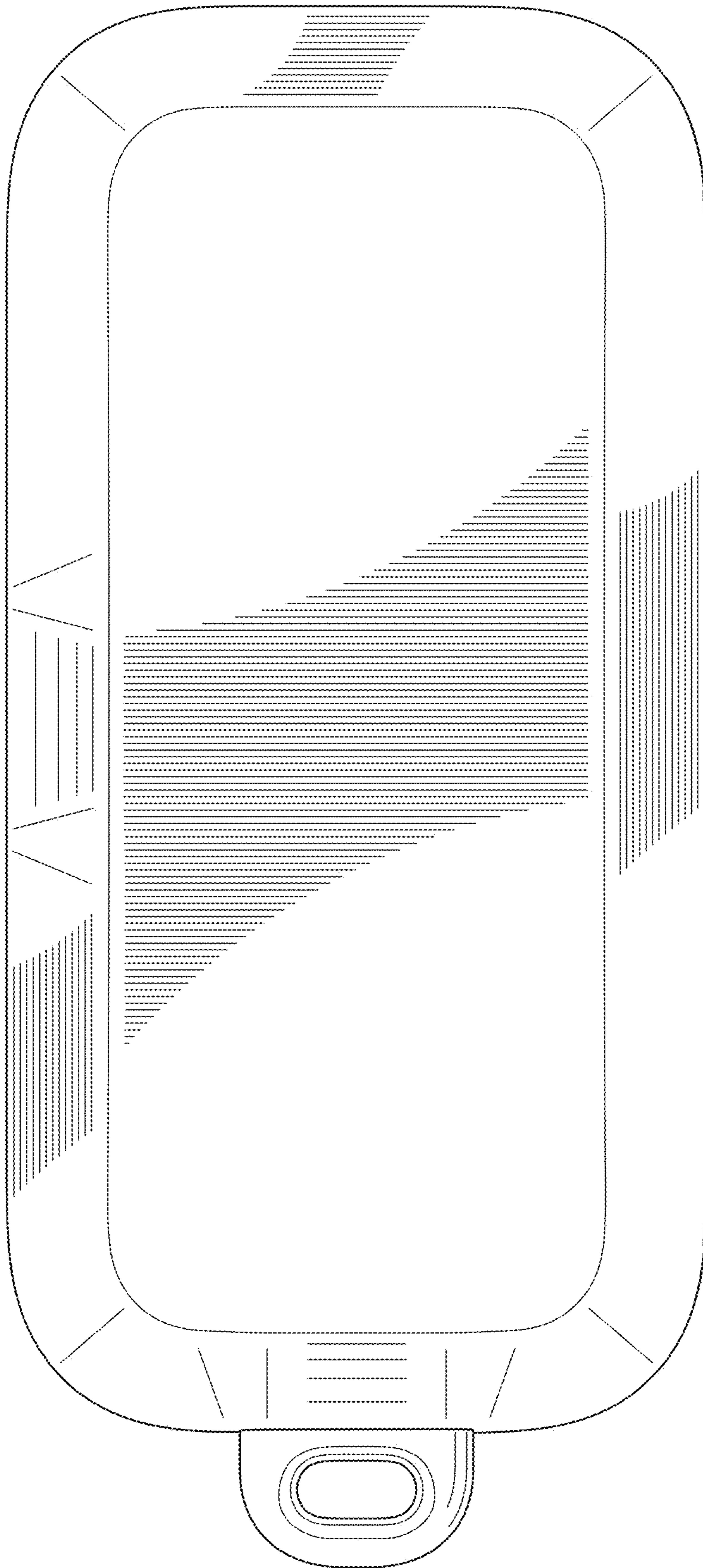


Fig. 10

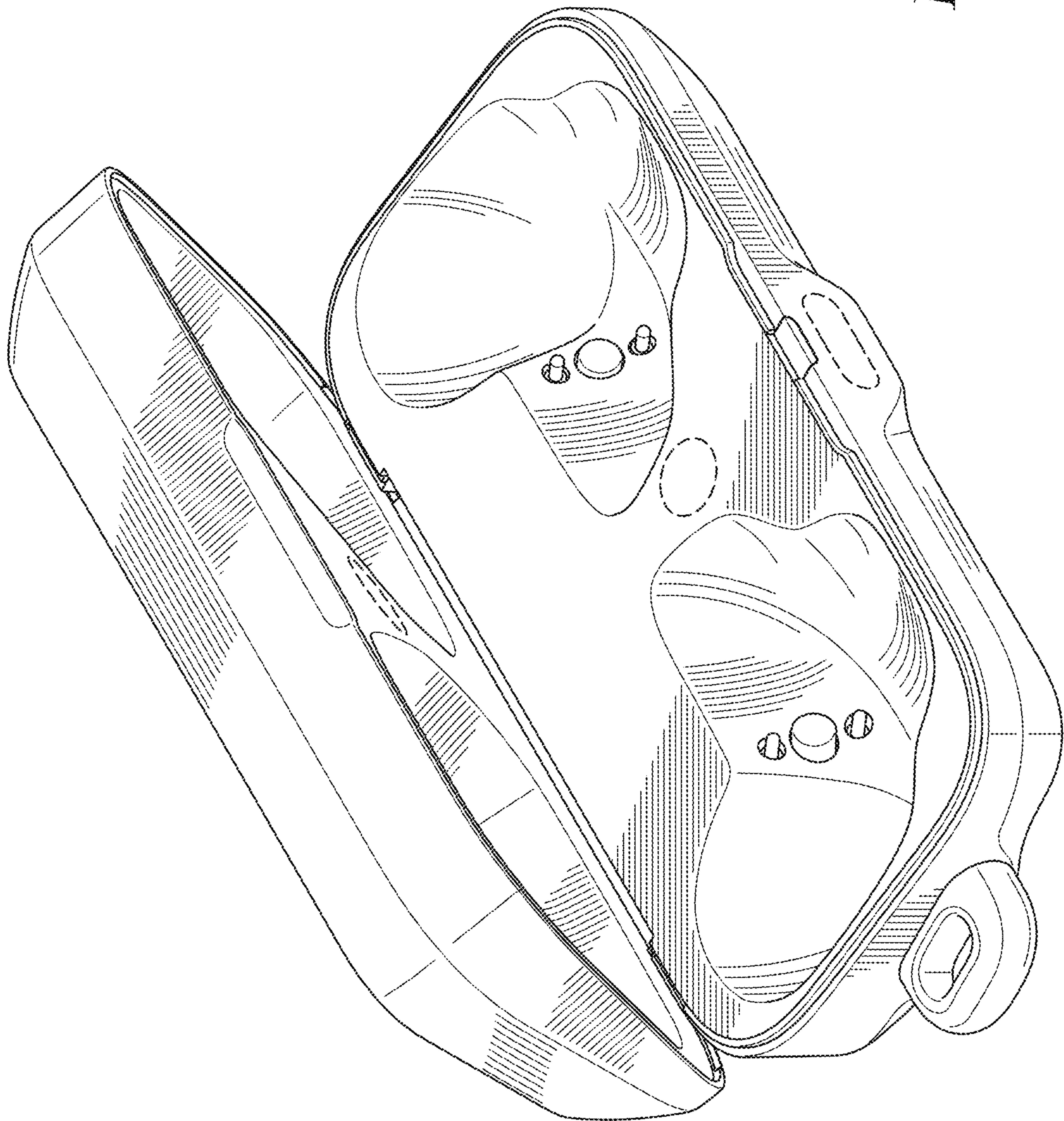


Fig. 11

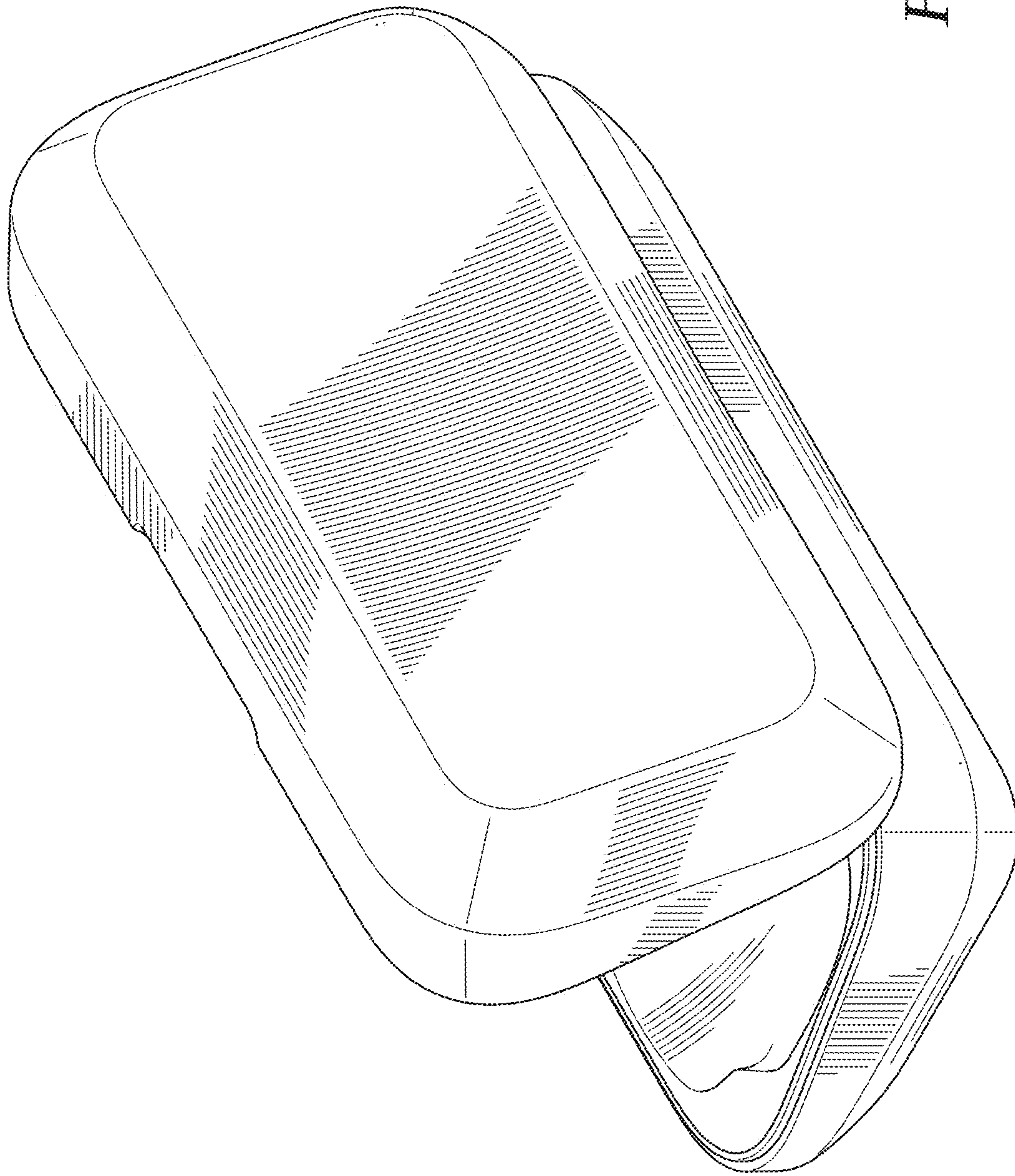


Fig. 12



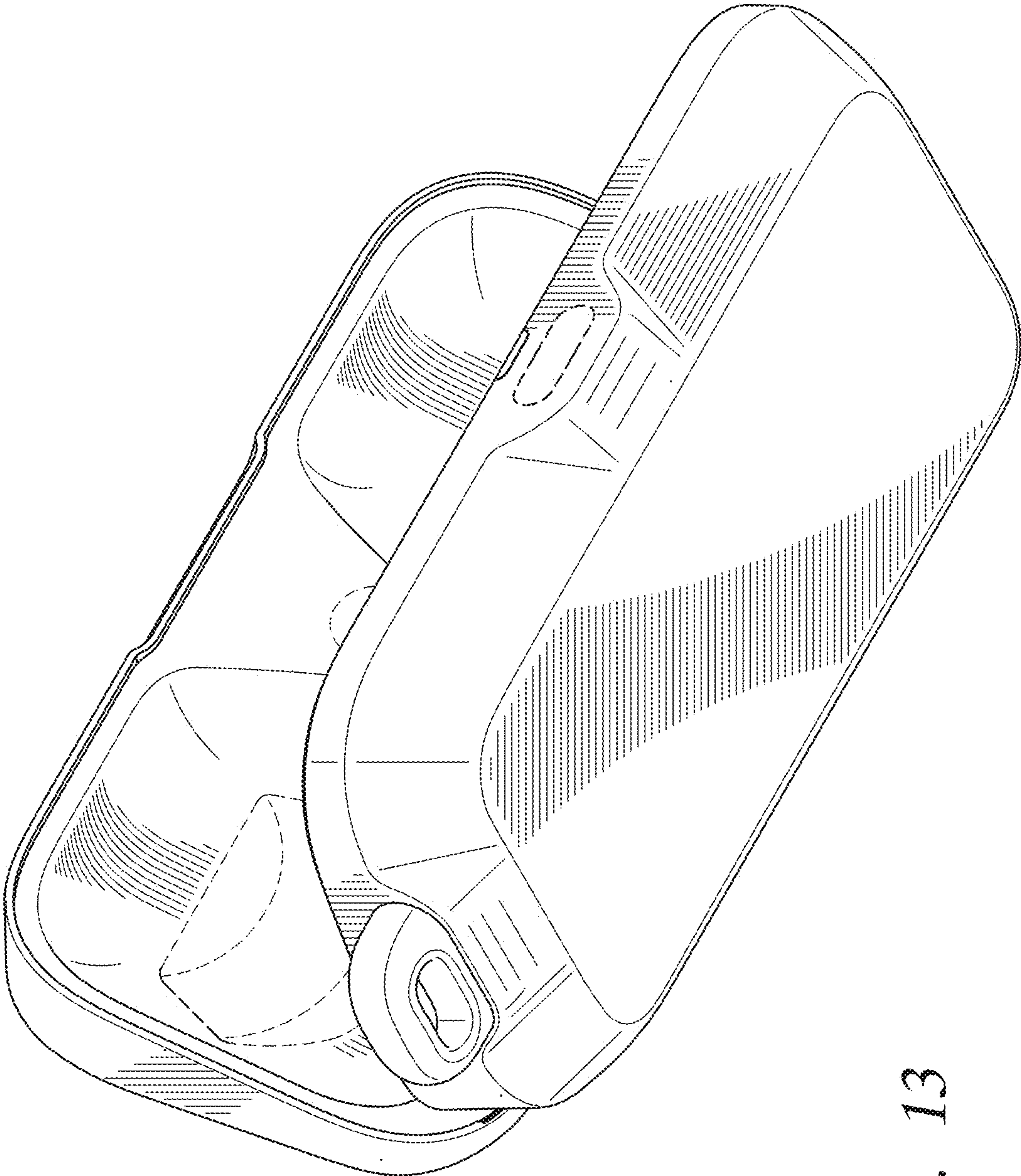


Fig. 13

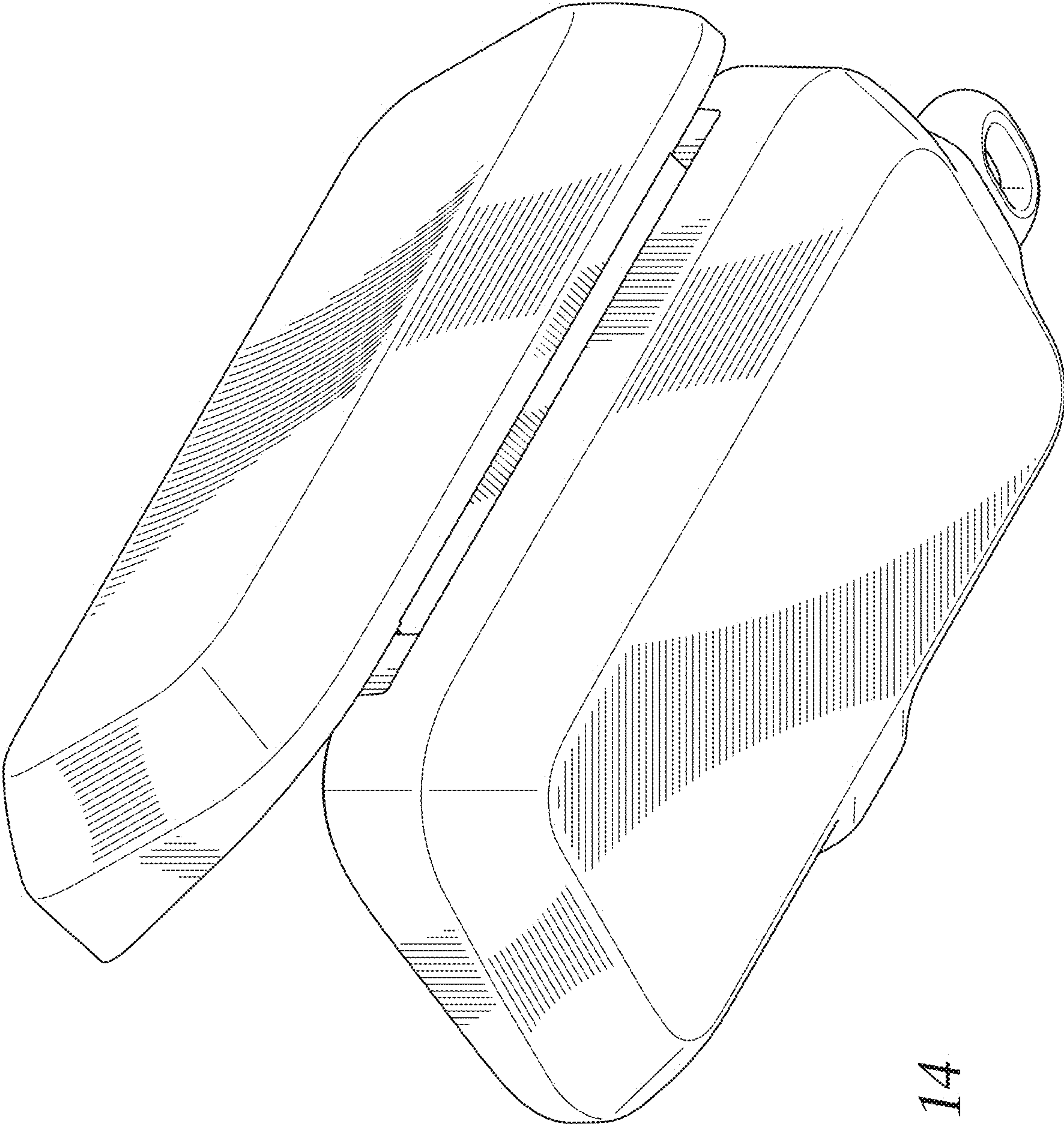


Fig. 14

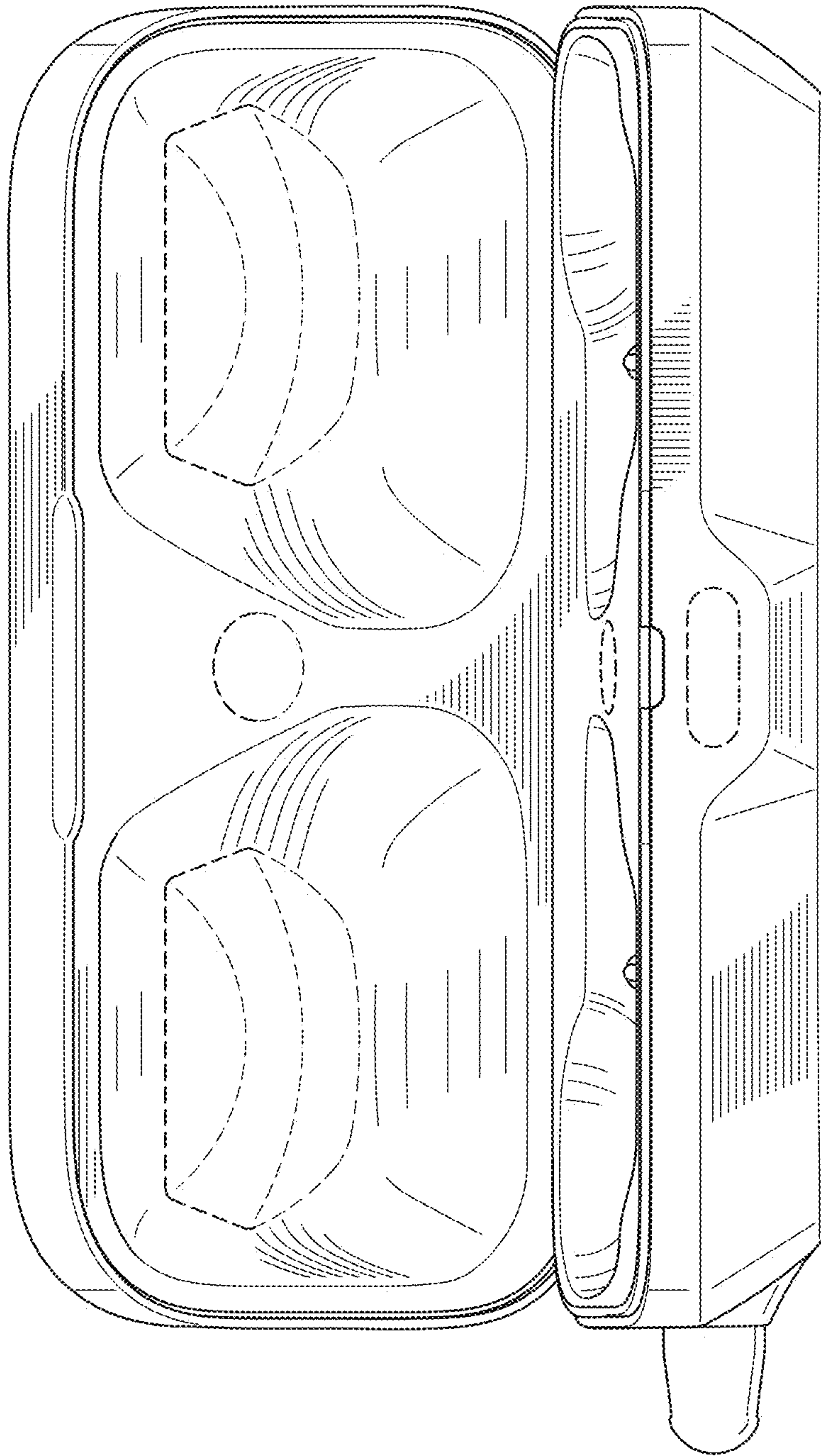


Fig. 15



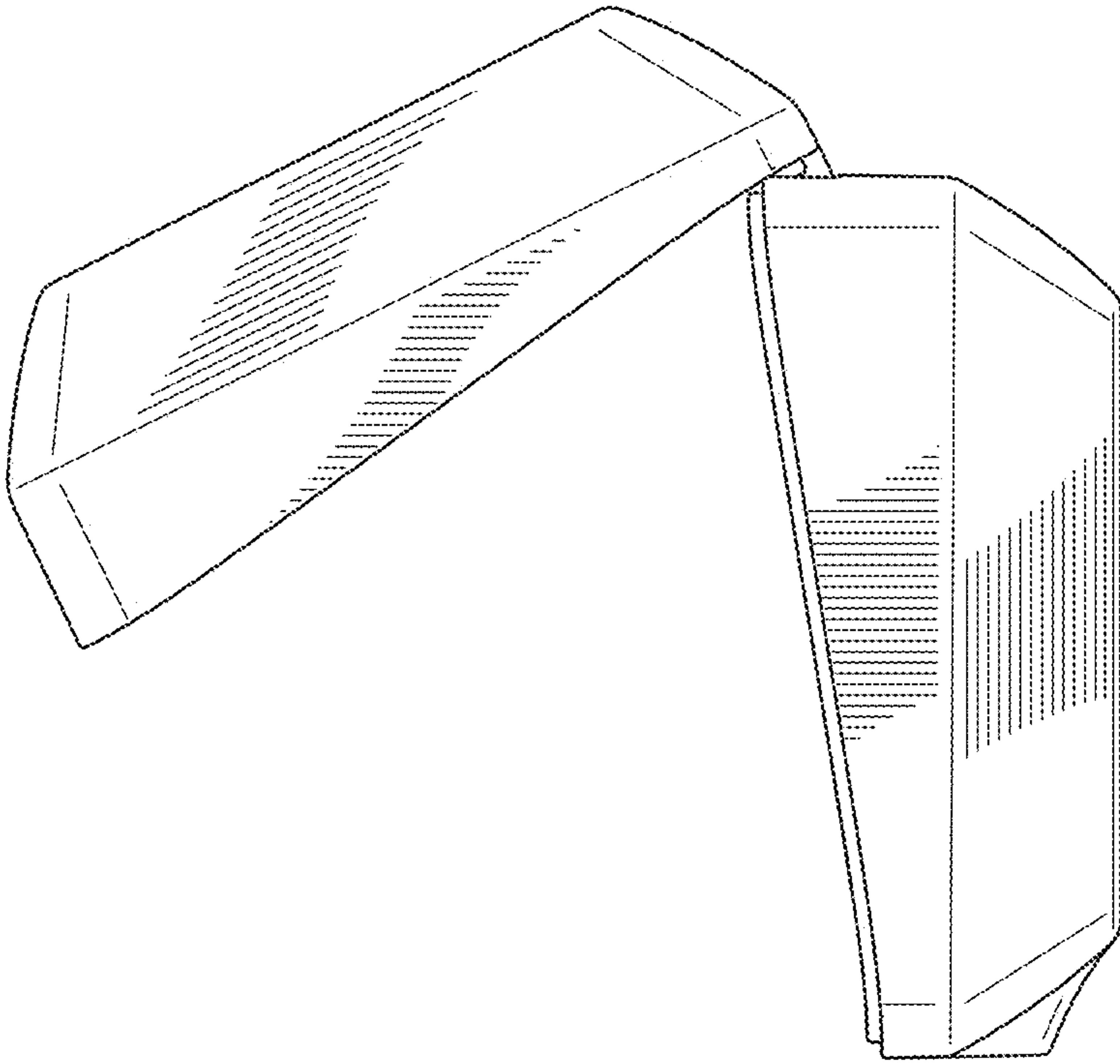


Fig. 16

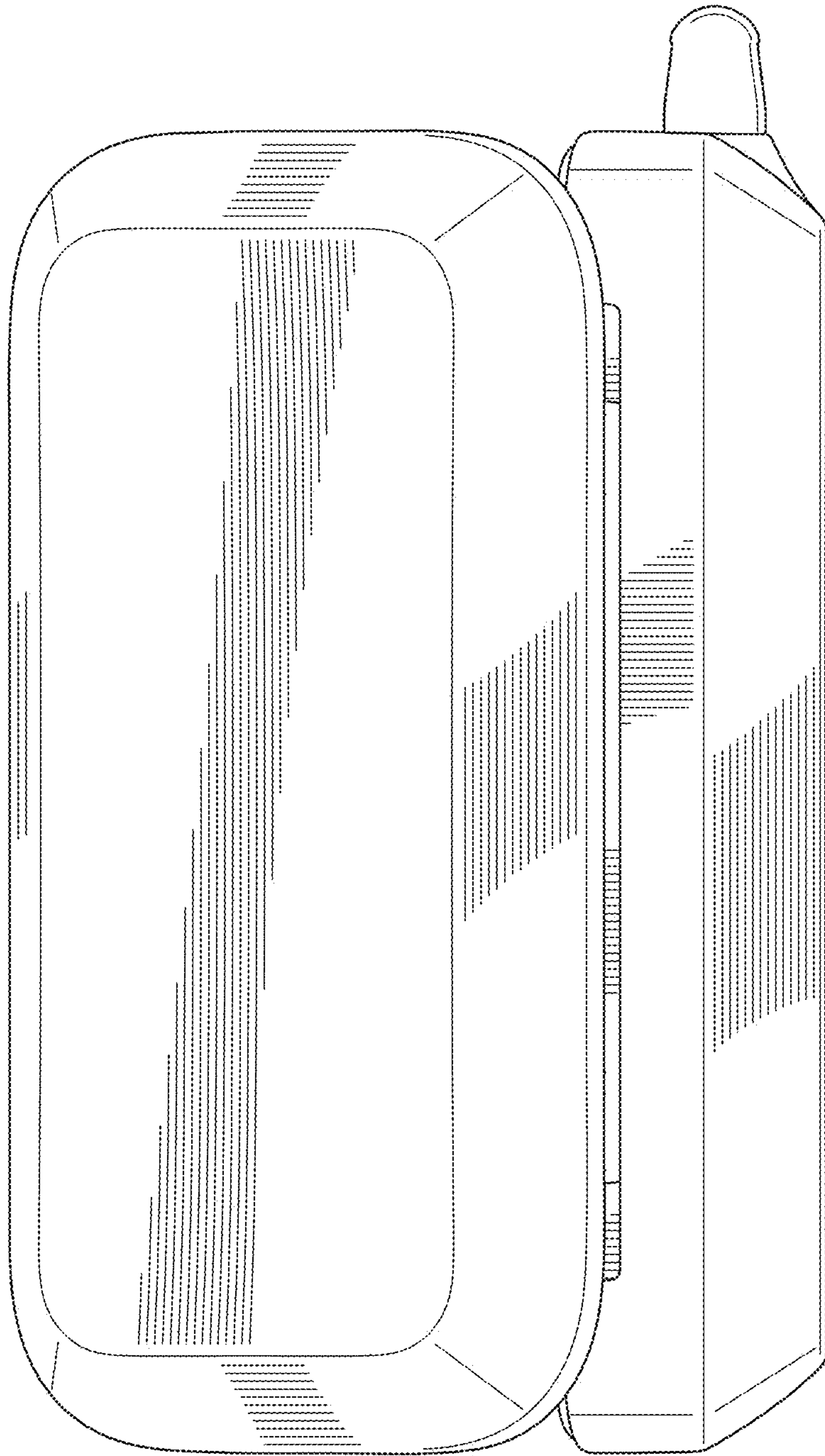


Fig. 17

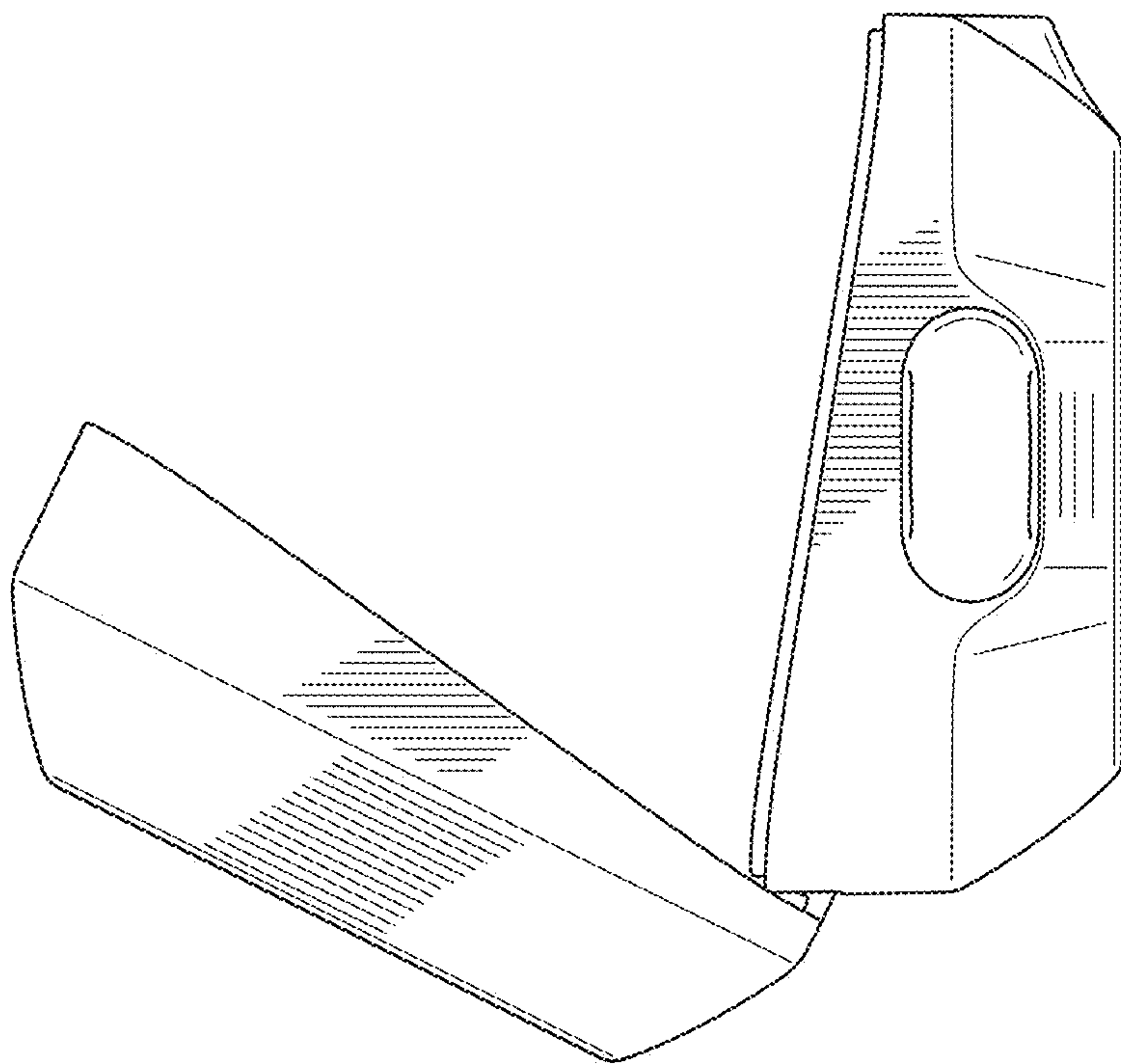


Fig. 18



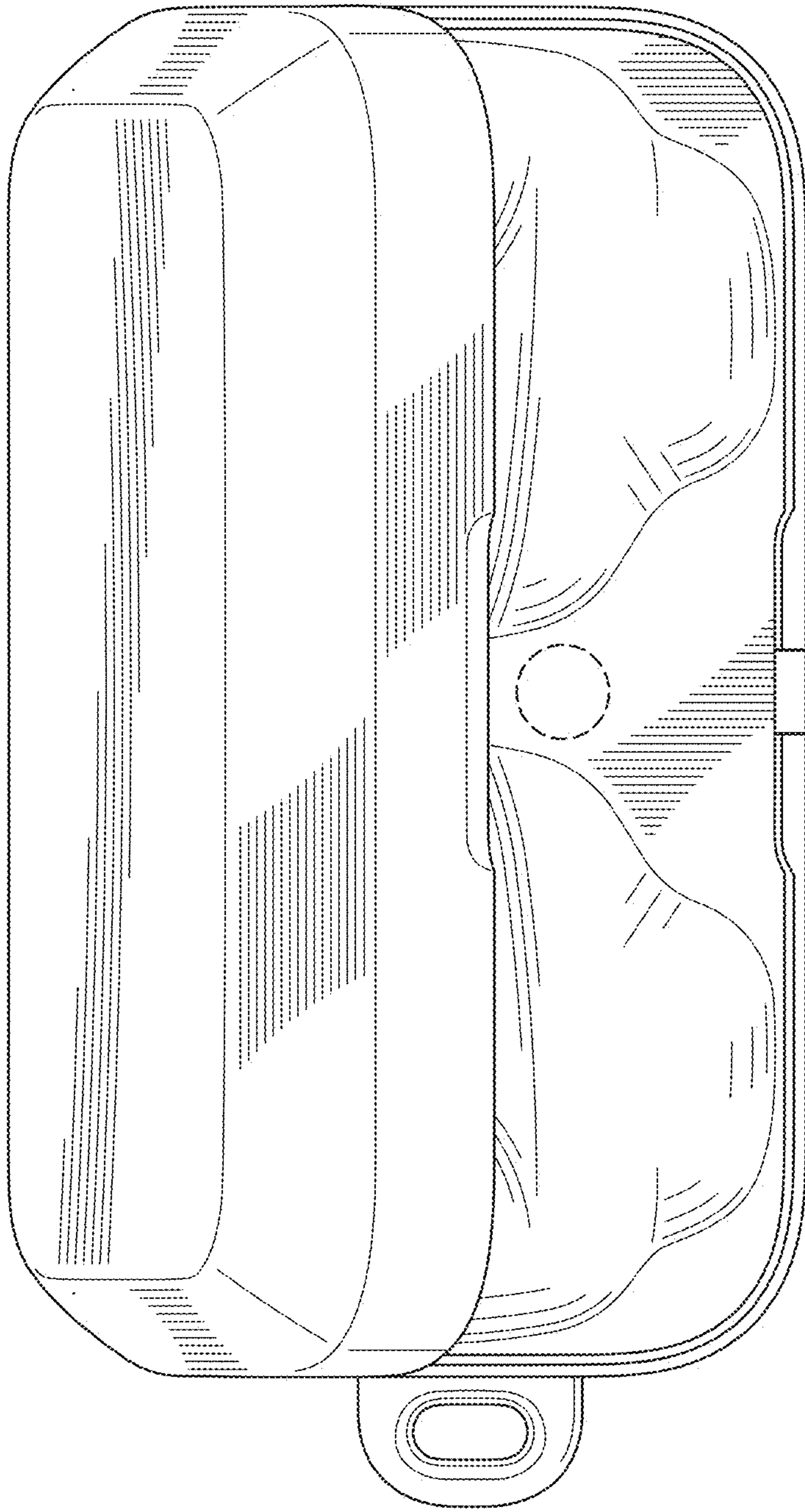


Fig. 19

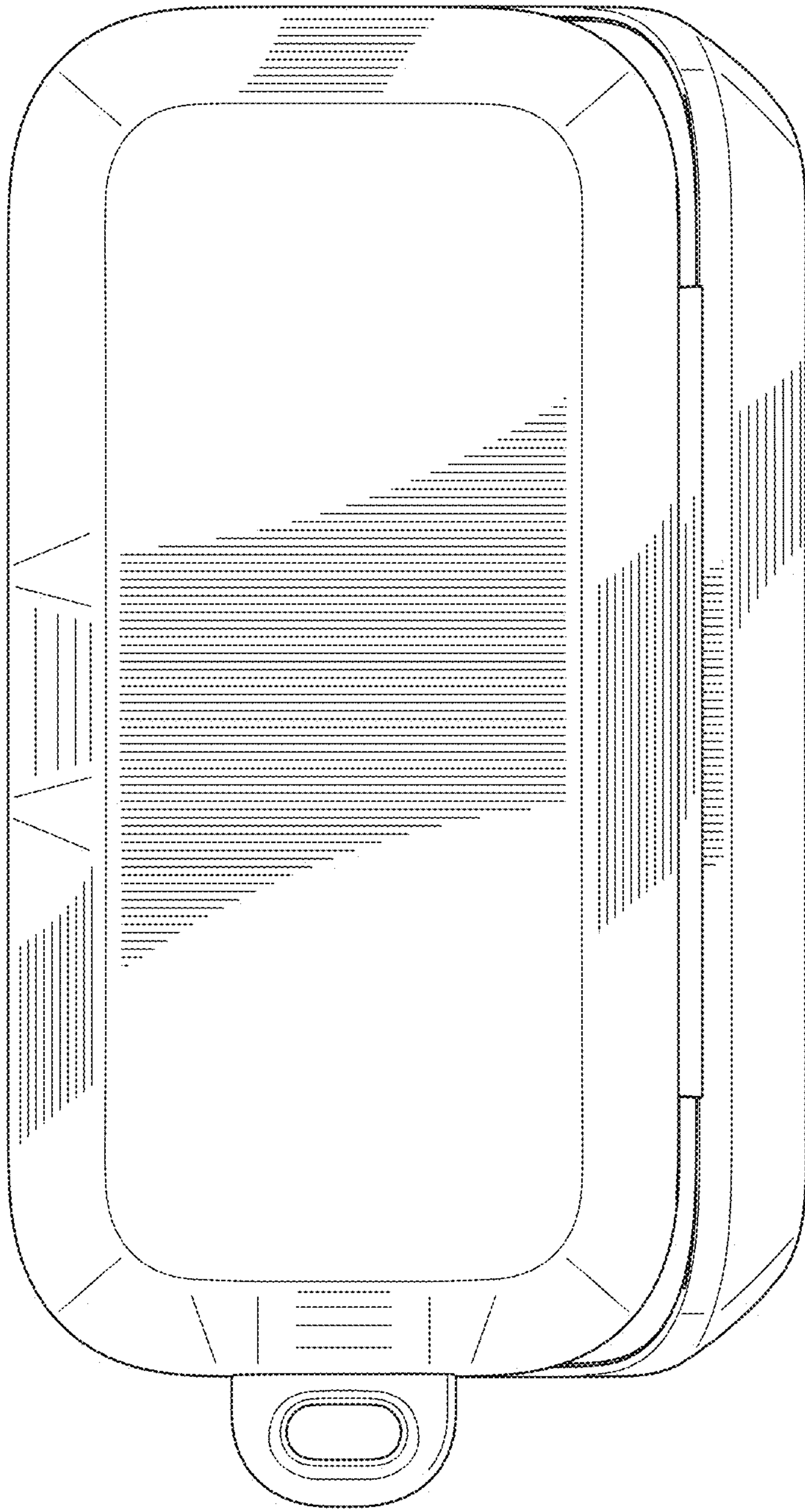


Fig. 20