



US00D939210S

(12) **United States Design Patent** (10) **Patent No.:** **US D939,210 S**
Glines et al. (45) **Date of Patent:** **** Dec. 28, 2021**

(54) **CARRYING CASE**

(71) Applicant: **Allie Glines, LLC**, Logan, UT (US)

(72) Inventors: **Alexandra Glines**, Logan, UT (US);
Tylan Glines, Logan, UT (US)

(73) Assignee: **Allie Glines, LLC**, Logan, UT (US)

(**) Term: **15 Years**

(21) Appl. No.: **29/721,851**

(22) Filed: **Jan. 23, 2020**

(51) **LOC (13) Cl.** **03-01**

(52) **U.S. Cl.**

USPC **D3/283**; D3/289

(58) **Field of Classification Search**

USPC D3/203.1–203.3, 203.6, 205, 206, 226,
D3/227, 230, 232, 242, 243, 245–247,
D3/249–251, 253, 258, 267, 268,
D3/273–276, 283–291, 294, 295,
D3/299–301, 303, 900, 901, 903;
D7/602, 605, 607, 701, 703, 709;
D9/701, 707, 709; D19/102, 106;

(Continued)

(56) **References Cited**

U.S. PATENT DOCUMENTS

2,672,232 A * 3/1954 Kessell, Jr. A45C 11/20
206/543
5,011,020 A * 4/1991 Stevens A45C 13/02
206/438
D412,267 S * 7/1999 Anderson D7/605

(Continued)

FOREIGN PATENT DOCUMENTS

KR 300607111.0000 * 7/2011

OTHER PUBLICATIONS

Sephora Collection Pack It All Organizer, available as early as Apr. 20, 2018 (customer review), sephora.com [online], [site visited Jan.

11, 2021], Internet URL exceeds character limit of PTO-892; see written Office Action (Year: 2018).*

(Continued)

Primary Examiner — Jeffrey D Asch
Assistant Examiner — Caitlin A Laverty

(74) *Attorney, Agent, or Firm* — Gurr Brande & Spendlove, PLLC; Robert A. Gurr

(57) **CLAIM**

The ornamental design for a carrying case, as shown and described.

DESCRIPTION

FIG. 1 is a front, top perspective view of the carrying case in an open configuration;

FIG. 2 is a top plan view of the carrying case in an open configuration;

FIG. 3 is a left, side elevation view of the carrying case in an open configuration;

FIG. 4 is a bottom plan view of the carrying case in an open configuration;

FIG. 5 is a rear elevation view of the carrying case in an open configuration;

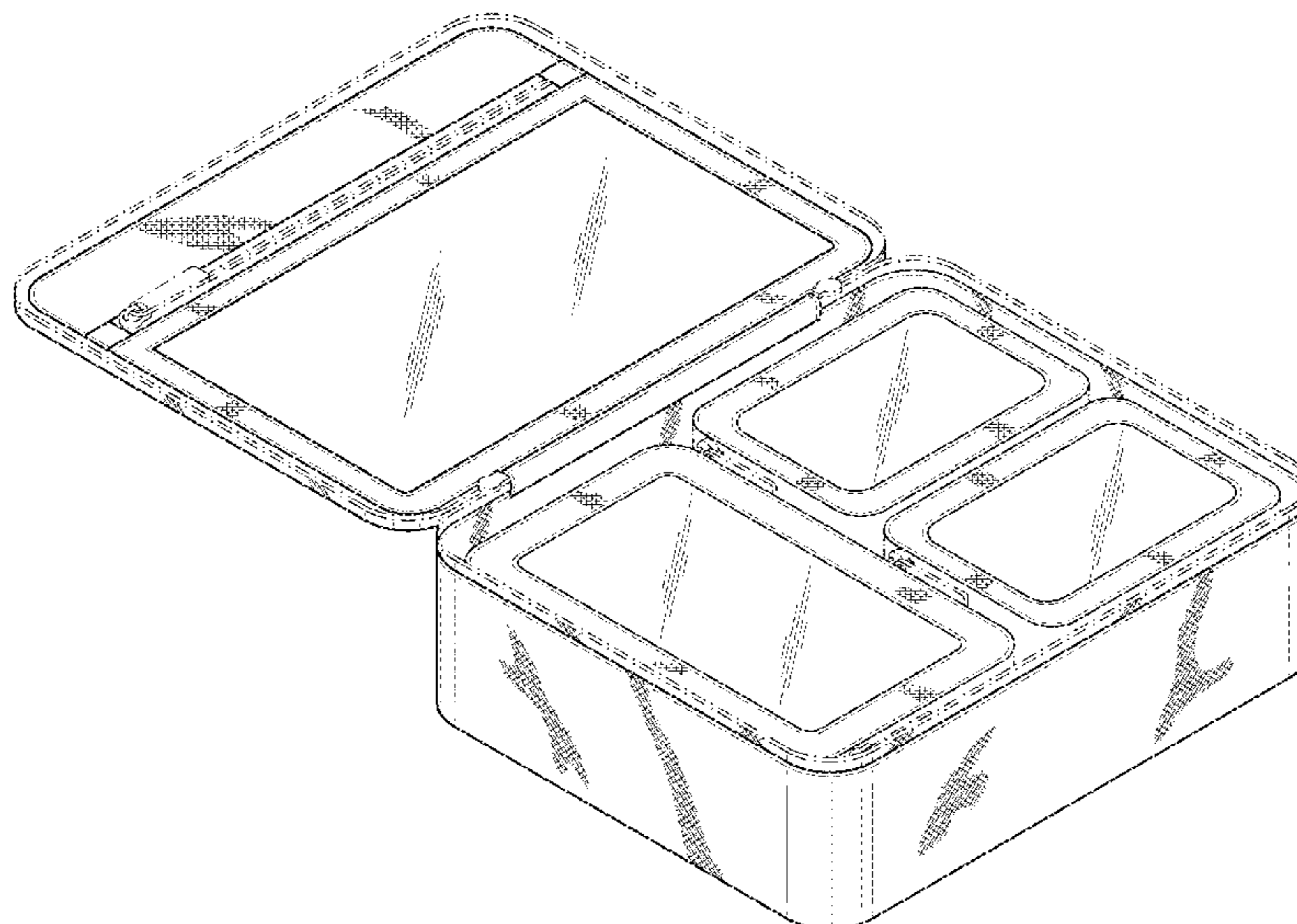
FIG. 6 is a front elevation view of the carrying case in an open configuration; and,

FIG. 7 is a front, top perspective view of the carrying case in a closed configuration.

The intermittent cross-hatching pattern is continuous throughout the surfaces on which the pattern is shown.

The dot-dash lines shown in the drawings are for the purpose of illustrating interior compartment side walls, zipper pulls, and zipper teeth, and interior compartment features and form no part of the claimed design. The dash-dash broken lines shown in the drawings are for the purpose of illustrating stitching and are included in the claimed design.

1 Claim, 6 Drawing Sheets



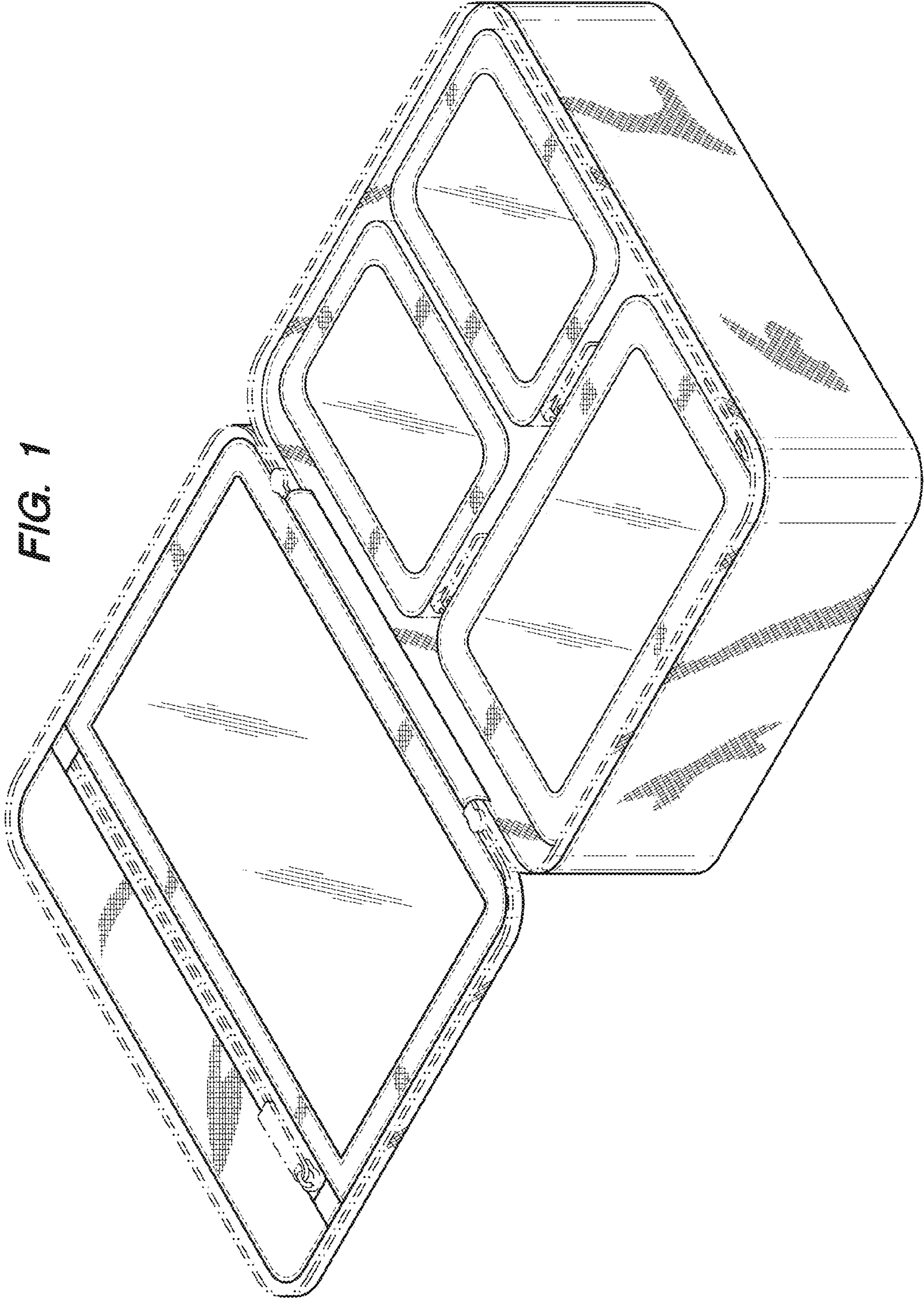


FIG. 1

FIG. 2

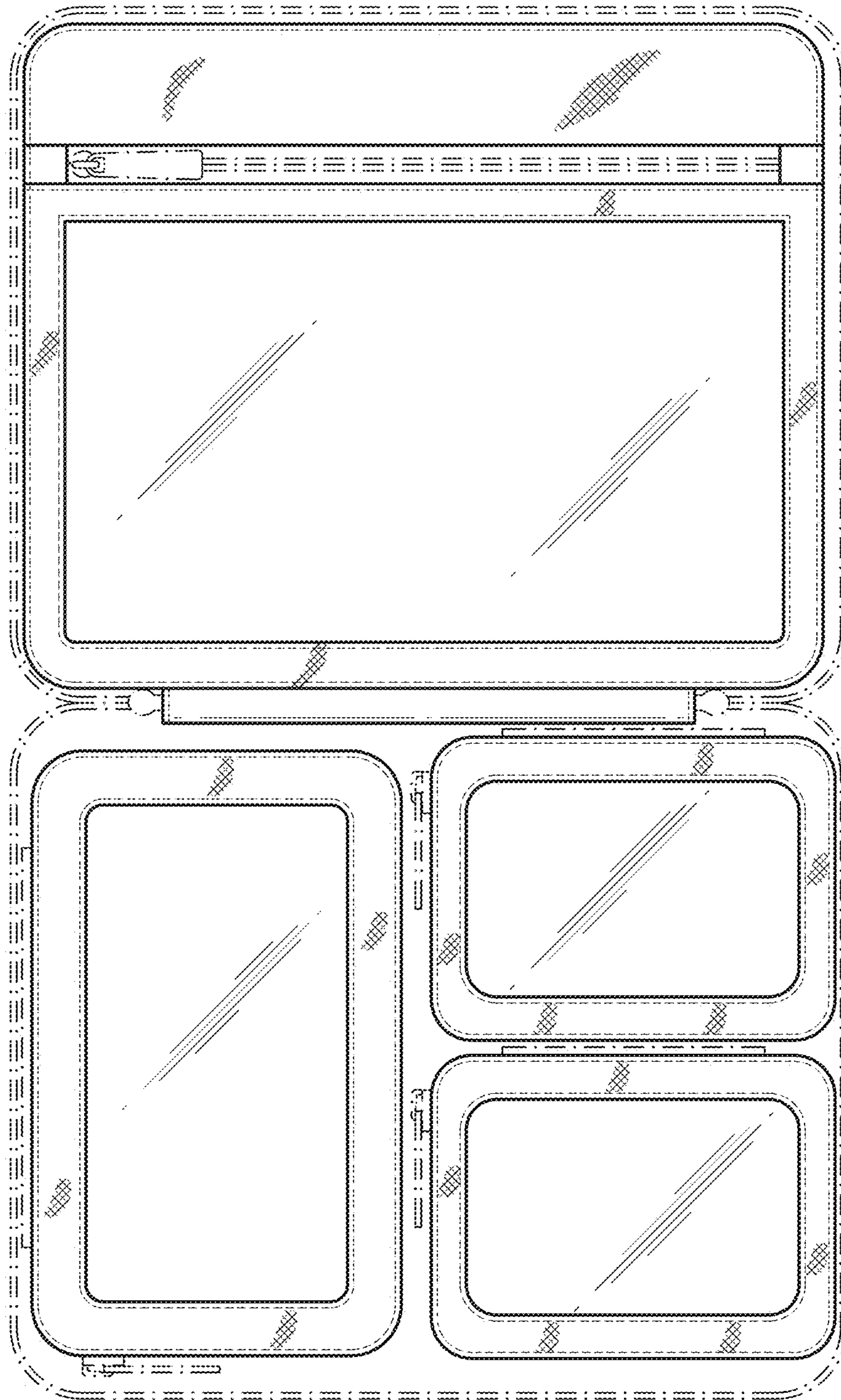


FIG. 3

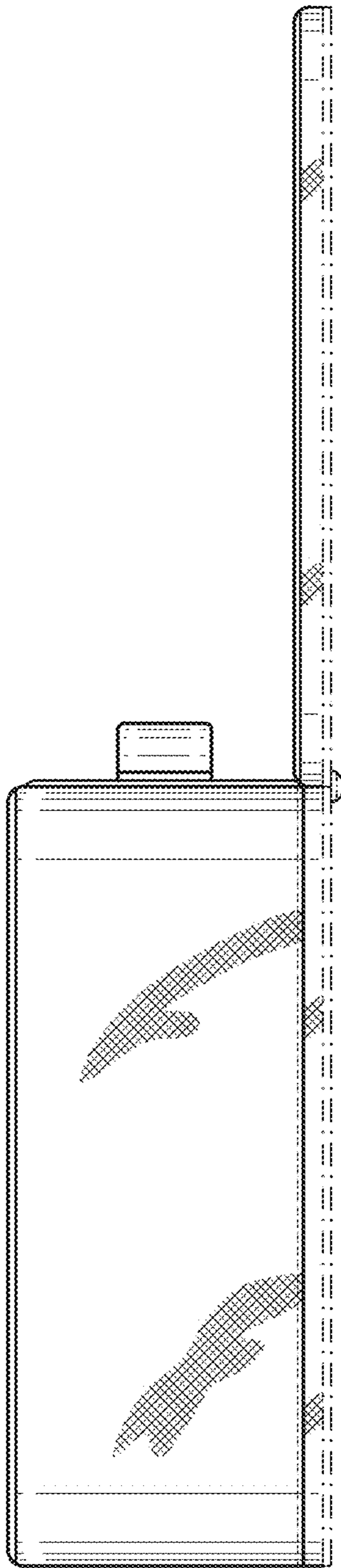


FIG. 4

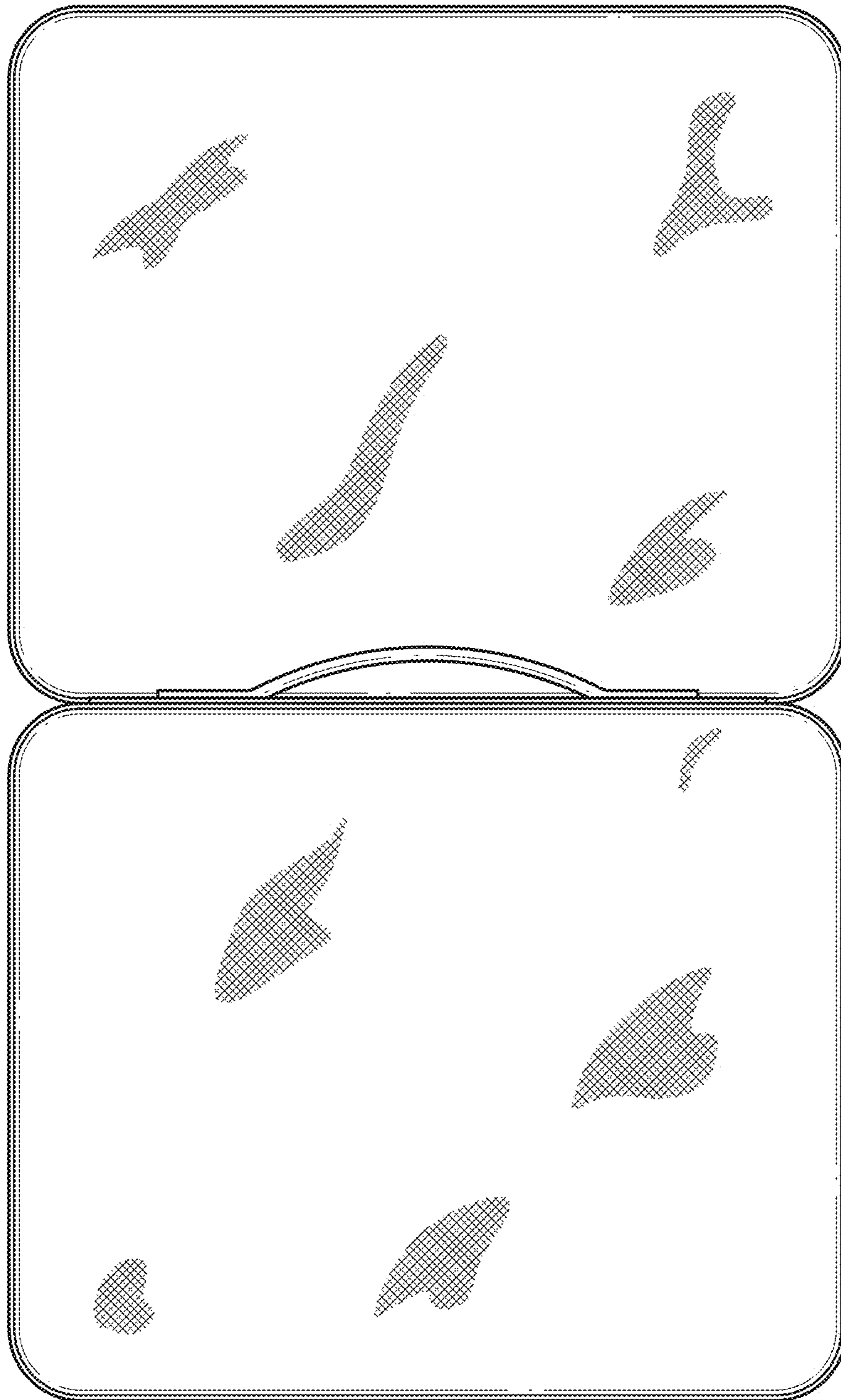


FIG. 5

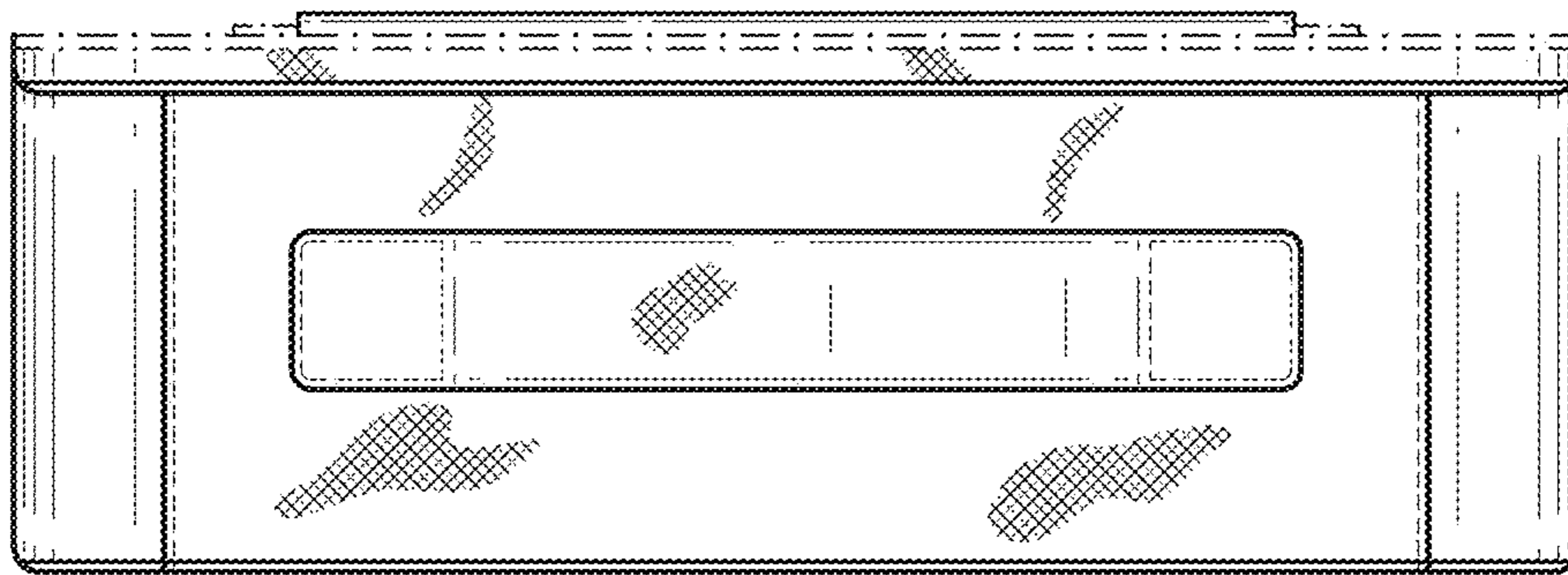


FIG. 6

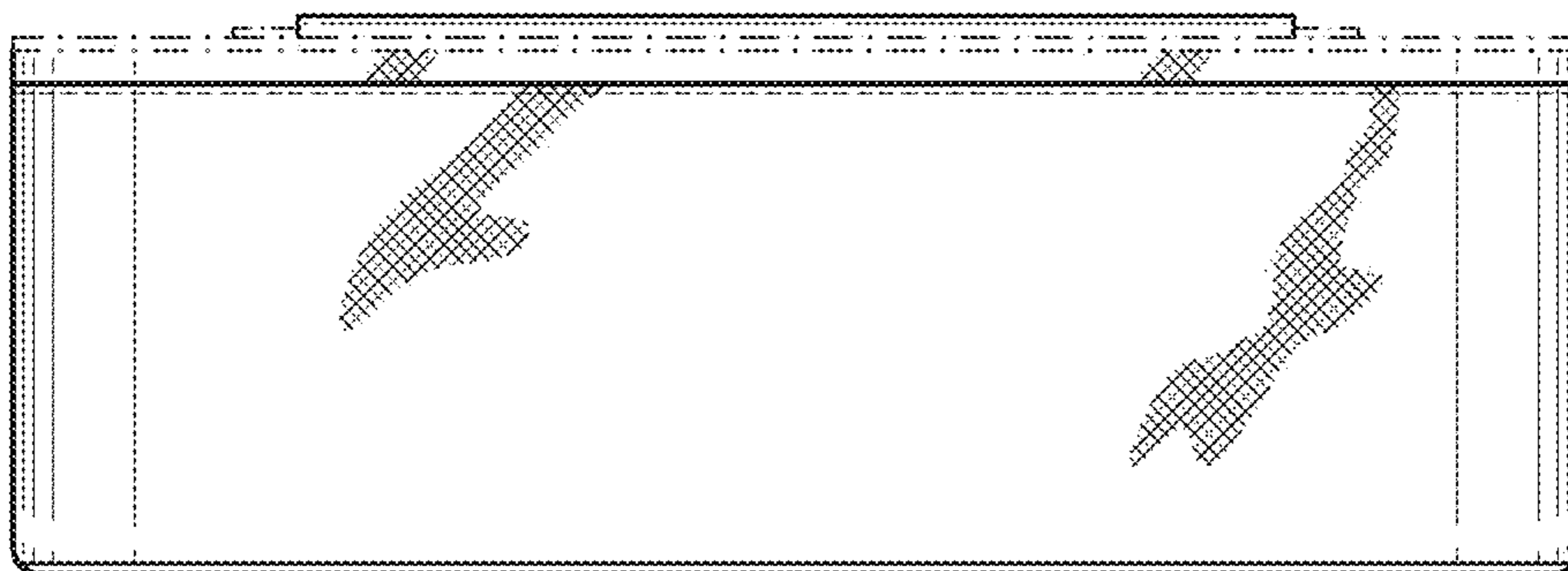


FIG. 7

