



US00D939209S

(12) **United States Design Patent** (10) **Patent No.:** **US D939,209 S**
Tan (45) **Date of Patent:** **** Dec. 28, 2021**

(54) **TACKLE BAG WITH HOOKS AND SADDLE BAGS**

Available from internet URL: <https://www.dickssportinggoods.com/p/flambeau-heritage-4007-tackle-bag-20fmbafmbhrtg370tbx/20fmbafmbhrtg370tbx?sku=21521402&camp=CSE:%E2%80%A6> (Year: 2020).*

(71) Applicant: **Thousand Oaks Corp.**, Irwindale, CA (US)

(Continued)

(72) Inventor: **Roger Tan**, Chino, CA (US)

Primary Examiner — Jeffrey D Asch
Assistant Examiner — Caitlin A Laverty

(73) Assignee: **Thousand Oaks Corp.**, Irwindale, CA (US)

(74) *Attorney, Agent, or Firm* — J. Andrew Reed; Vincent J. Allen; Carstens & Cahoon, LLP

(**) Term: **15 Years**

(57) **CLAIM**

(21) Appl. No.: **29/697,577**

The ornamental design for a tackle bag with hooks and saddle bags, as shown and described herein.

(22) Filed: **Jul. 10, 2019**

DESCRIPTION

(51) **LOC (13) Cl.** **03-01**

FIG. 1 is a front view of the tackle bag with hooks and saddle bags;

(52) **U.S. Cl.**

FIG. 2 is a rear view of the tackle bag and saddle bags;

USPC **D3/260**; D3/299

FIG. 3 is a left side view of the tackle bag with hooks and saddle bags;

(58) **Field of Classification Search**

USPC D3/254, 260, 262, 273, 276, 283–290, D3/293–294, 299, 301, 315, 902, 904,

FIG. 4 is a right side view of the tackle bag with hooks and saddle bags;

(Continued)

FIG. 5 is a top view of the tackle bag with hooks and saddle bags;

(56) **References Cited**

FIG. 6 is a bottom view of the tackle bag with hooks and saddle bags;

U.S. PATENT DOCUMENTS

258,393 A 5/1882 Endicott
1,482,678 A 2/1924 Figley

(Continued)

FIG. 7 is a left side perspective view of the tackle bag with hooks and saddle bags;

FOREIGN PATENT DOCUMENTS

CN 101066048 A 11/2007
CN 201360487 12/2009

(Continued)

FIG. 8 is a right side perspective view of the tackle bag with hooks and saddle bags;

OTHER PUBLICATIONS

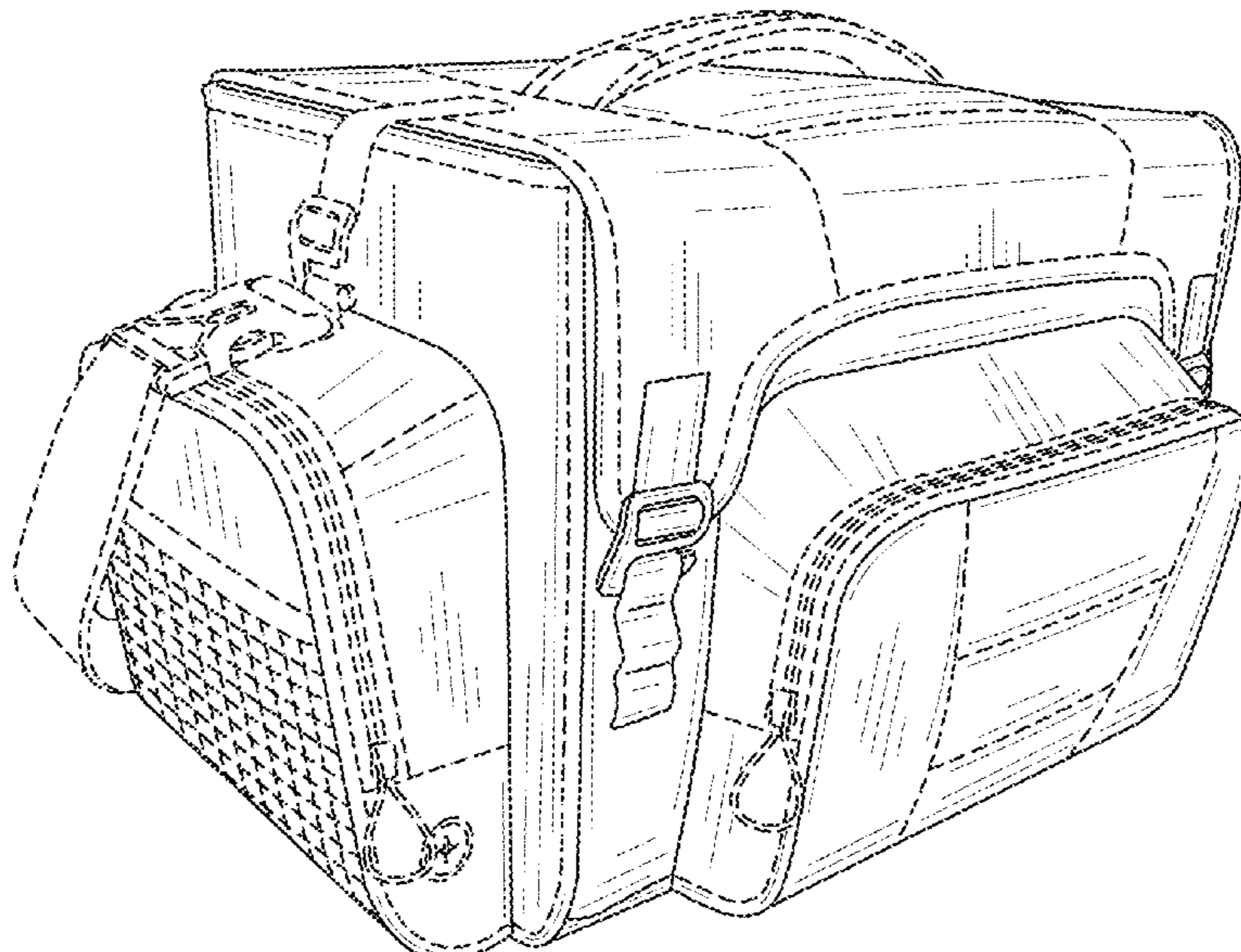
Flambeau Heritage 4007 Tackle Bag, unknown first available date, DicksSportingGoods.com [online], [site visited Nov. 24, 2020],

FIG. 9 is a front perspective closed interior view of tackle bag with hooks and saddle bags; and,

FIG. 10 is a front perspective open interior view of tackle bag with hooks and saddle bags.

The various unshaded components shown outlined in broken lines illustrate environment that forms no part of the claimed design. Additionally, broken lines on shaded areas show illustrative examples of stitching that form no part of the claimed design.

1 Claim, 10 Drawing Sheets



(58) **Field of Classification Search**

USPC D3/905, 216, 217, 232; D7/605, 607;
D22/136
CPC A45C 3/00; A45C 2003/007; A45C
2003/008; A45C 5/00; A45C 5/03; A45C
5/06; A45C 2005/032; A45C 2005/035;
A45C 2005/037; A45C 7/00; A45C
7/0059; A45C 7/0063; A45C 7/0068;
A45C 7/0095; A45F 3/02; A45F 2200/05;
F25D 3/08

See application file for complete search history.

(56)

References Cited

U.S. PATENT DOCUMENTS

1,791,346 A 2/1931 Burch et al.
2,102,977 A 12/1937 Shoemaker et al.
2,316,833 A 4/1943 Baron
2,595,463 A 5/1952 Kamps
2,616,209 A 11/1952 Ploen
2,717,470 A 9/1955 Holdeman
2,730,833 A 1/1956 Newell
2,956,365 A 10/1960 Smith et al.
2,987,846 A 6/1961 Powell
3,047,349 A 7/1962 Powell
3,122,225 A 2/1964 Ward
3,181,751 A 5/1965 Wilson
RE25,826 E 8/1965 Ward
3,310,271 A 3/1967 King
3,481,066 A 12/1969 Woolworth
3,564,755 A 2/1971 Lindgren, Sr.
3,813,138 A 5/1974 Doohan
3,850,396 A 11/1974 Orlandi
4,023,304 A 5/1977 Singer
4,151,938 A 5/1979 Barker et al.
4,176,491 A 12/1979 Herring
4,240,222 A 12/1980 Covington
4,245,422 A 1/1981 Souza
4,324,446 A 4/1982 LeSage
D280,260 S * 8/1985 Leiserson D3/267
D284,333 S 6/1986 Huston
D284,620 S 7/1986 Calton
D291,149 S * 8/1987 Smith D3/287
4,739,886 A 4/1988 Seaberg
4,769,941 A 9/1988 Schmidt
4,811,996 A 3/1989 Hansson
4,958,730 A 9/1990 Bunten
D312,530 S * 12/1990 Gallen D3/268
5,054,669 A 10/1991 Zimbardi et al.
5,087,105 A 2/1992 White
D333,038 S 2/1993 Collins
5,261,529 A 11/1993 Holland
D347,521 S 6/1994 Elliott
D352,827 S 11/1994 Schildkraut
5,386,662 A 2/1995 Vader et al.
D360,182 S 7/1995 Lovett
D371,052 S 6/1996 Melk
5,526,927 A 6/1996 McLemore
D371,724 S * 7/1996 Melk D7/607
5,556,068 A 9/1996 Gorelik
D376,044 S 12/1996 Trawick et al.
5,606,820 A 3/1997 Suddeth
D383,601 S 9/1997 Jones et al.
D389,305 S 1/1998 Hauschild
D396,745 S 8/1998 Peterson
D401,062 S 11/1998 Hauschild
5,829,185 A 11/1998 Myers
D423,779 S 5/2000 Goatcher
D427,768 S 7/2000 Bogert
D435,343 S * 12/2000 Eskandry D3/283
6,202,865 B1 3/2001 Kuo
6,202,910 B1 * 3/2001 Swetish A45F 3/04
190/104
D465,086 S * 11/2002 Watts D3/276
D468,101 S 1/2003 Hassett
D469,606 S 2/2003 Su

D471,012 S 3/2003 Peterson
D472,380 S * 4/2003 Hillman D3/263
D472,386 S 4/2003 Bauer
D474,598 S 5/2003 Platte, III
D476,480 S * 7/2003 Hillman D3/263
6,612,434 B1 9/2003 Redzisz
D482,525 S 11/2003 Fair
D482,842 S * 12/2003 Fair D3/263
D484,695 S 1/2004 DePalma
D487,189 S 3/2004 Ukitsu
D487,191 S 3/2004 Ong
D495,489 S * 9/2004 Messina-Brown D3/283
D504,229 S 4/2005 Duvigneau
D506,061 S 6/2005 McGibben
6,926,136 B1 8/2005 Lynch-Bass
D528,295 S 9/2006 Harvey
D530,089 S * 10/2006 Silverman D3/287
D542,031 S 5/2007 Zapata
D542,527 S * 5/2007 Zapata D3/263
7,240,513 B1 7/2007 Conforti
D552,350 S 10/2007 Bosley
D556,452 S 12/2007 Hydon
D560,450 S 1/2008 Tagliati et al.
D566,393 S 4/2008 Kidakarn
D574,615 S 8/2008 Picot et al.
7,604,103 B2 10/2009 Hamlin
7,621,074 B2 11/2009 Glidewell et al.
D620,254 S 7/2010 Noraker
7,937,884 B1 5/2011 Naylor et al.
7,941,965 B2 5/2011 Hoover
D639,051 S 6/2011 Dare
D647,301 S * 10/2011 Sosnovsky D3/283
D648,533 S * 11/2011 Sosnovsky D3/283
D660,589 S 5/2012 Ayjian
8,348,510 B2 1/2013 Mogil
D676,652 S 2/2013 Holloway et al.
D692,661 S 11/2013 Gupton, Jr.
D714,541 S 10/2014 Anderson et al.
D724,318 S 3/2015 Myer
D725,908 S * 4/2015 Zwetzig D3/283
D742,637 S 11/2015 Miles
D761,564 S 7/2016 Rhodes
D762,384 S 8/2016 Boroski
D762,978 S * 8/2016 Boroski D3/283
D779,824 S 2/2017 Boroski
D781,575 S 3/2017 Etekoachay
D787,816 S 5/2017 Slimane
D793,728 S 8/2017 Faibish et al.
D796,188 S 9/2017 Ho
D821,097 S 6/2018 Burton et al.
D824,170 S 7/2018 Tobias
D831,952 S 10/2018 Pennington
D832,653 S 11/2018 Waskow et al.
D833,141 S 11/2018 Carter et al.
D835,473 S 12/2018 Jacobsen
D835,950 S 12/2018 Jacobsen
D836,999 S 1/2019 Jacobsen
D837,000 S 1/2019 Jacobsen
D837,001 S 1/2019 Jacobsen
D838,971 S 1/2019 Deanda
D844,324 S * 4/2019 Hoppe D3/279
D845,613 S 4/2019 Decker
D856,662 S 8/2019 Breines
D862,528 S 10/2019 Sullivan et al.
10,477,991 B1 11/2019 Fragala
D873,090 S 1/2020 Jacobsen
D874,129 S 2/2020 Goldstein
D875,385 S 2/2020 Carter et al.
D880,253 S 4/2020 Jacobsen
D881,655 S 4/2020 Jacobsen
D887,135 S 6/2020 Tan
D887,136 S 6/2020 Tan
D893,183 S 8/2020 Eisenhardt et al.
D896,504 S 9/2020 Li
D896,505 S 9/2020 Yuan
D896,514 S * 9/2020 Tan A45C 5/06
D3/260
D898,349 S 10/2020 He
D901,882 S 11/2020 Tan

(56)

References Cited

U.S. PATENT DOCUMENTS

10,881,178	B2 *	1/2021	Johnson	A45C 7/0086
D912,974	S *	3/2021	Breines	D3/217
D915,762	S	4/2021	Li		
D919,287	S	5/2021	He		
D920,744	S *	6/2021	Eisenhardt	D7/607
D922,061	S	6/2021	Tan		
D922,062	S	6/2021	Shi		
D927,174	S	8/2021	Dai		
D927,261	S *	8/2021	Rong	D7/607
D931,600	S	9/2021	Huang		
2005/0121275	A1	6/2005	Platte, III		
2005/0279124	A1	12/2005	Maldonado		
2007/0011939	A1	1/2007	Sakai		
2007/0237432	A1	10/2007	Mogil		
2008/0029666	A1	2/2008	Hurt		
2008/0289925	A1	11/2008	Sapyta		
2012/0043228	A1	2/2012	Ezzo et al.		
2013/0043293	A1	2/2013	Connell		
2014/0132131	A1	5/2014	Thomas		
2014/0290025	A1	10/2014	Custer		
2016/0205913	A1	7/2016	Aston et al.		
2016/0244239	A1	8/2016	Nash		
2016/0374440	A1	12/2016	Lundy et al.		
2017/0073146	A1 *	3/2017	Kuhn	B65D 81/3813
2018/0220759	A1 *	8/2018	Johnson	A45C 5/06
2021/0007451	A1 *	1/2021	Tan	A45F 3/047
2021/0007452	A1 *	1/2021	Tan	A45C 3/001
2021/0068510	A1 *	3/2021	Johnson	A45C 5/06
2021/0212442	A1	7/2021	Webb		

FOREIGN PATENT DOCUMENTS

CN	102972367	A	3/2013
CN	205357836	U	7/2016
EP	0071274	A2	2/1983

OTHER PUBLICATIONS

Ozark Trail Outdoor Equipment “Mesh Bottom Tackle Bag”, 6 pgs.
 Amazon, “Piscifun Fishing Tackle Backpack with 4 Trays Large
 Waterproof Tackle Bag Storage . . .”, (<https://www.amazon.com/>

Piscifun-Backpack-Capacity-Waterproof-Protective/dp/B07CGJDTN
 GI} (Year: 20 18), 13 pgs.
 Flambeau 5007 Pro-Angler Tackle Bag (Grey/Red), first available
 Apr. 23, 2020, amazon.com [online], [site visited Nov. 24, 2020], w
 Available from internet U RL: https://www.amazon.com/Fiambeau-5007-Pro-Angler-Tackle-Grey/dp/B089458PL7/ref=sr_1_22?dchild=1&gclid=EAiaiQobChM10uut0b6b7QIVCDiGC%E2%80%A6
 (Year: 2020).
 KastKing Fishing Tackle Bags, first available Jun. 27, 2018, amazon.
 com [online], [site visited Nov. 14, 2018], Available from internet
 U R L: https://www.amazon.com/dp/BOFHVF/ref=sspa_dk_detail_6?pd_rd_i=B07XRFSFPN&pd_rd_w=a6HTH&pf_rd_p7d37a48b-2b1a-4373-8c1a-bd%E2%80%A6 (Year: 2018).
 Okuma Fishing Tackle Soft Sided Tackle Bag, first available Oct.
 23, 2015, amazon.com [online], [site visited Nov. 24, 2020], Avail-
 able from internet U RL: <https://www.amazon.com/Okuma-Fishing-Tackle-Soft-Sided/dp/B018M56S28> (Year: 2015).
 Amazon, “Flambeau 4007 Heritage Tackle Bag, Fir Green/Pewter/
 Rust, FL40001”, First on sale Apr. 23, 2020. (<https://www.amazon.com/Fiambeau-Heritage-Bait-Binder/dp/B089469PPT>) (Year: 2020).
 Evolution Outdoor Drift Series Topless Horizontal Tackle Bag, first
 available Feb. 24, 2021, amazon.com [online], [site visited Mar. 28,
 21], Available at internet URL: <https://www.amazon.com/Evolution-Outdoor-Topless-Horizontal-Tackle/dp/B08WRNXBXV?th=18psc=1> (Year: 2021).
 Evolution Outdoor Drift Series Topless Vertical Tackle Bag, first
 available Mar. 2, 2021, amazon.com [online], [site visited Mar. 28,
 2021], Available at internet URL: <https://www.amazon.com/Evolution-Outdoor-Topless-Vertical-Tackle/dp/B08WRVCF31?th=1> (Year: 2021).
 KastKing Fishing Tackle Bag, first available Jun. 27, 2018, amazon.
 com [online], [site visited Jun. 28, 2021], Available at internet URL:
https://www.amazon.com/KastKing-Saltwater-Waterproof-Medium-Hoss-15x11x10-25/dp/B07XRFSFPN/ref=pd_lpo_3?pd_rd_i=B07F2GH9VS&psc=1 (Year: 2018).
 Plano Guide Series Tackle Bag, first available Feb. 10, 2020,
 amazon.com [online], [site visited Jun. 28, 2021], Available at
 internet URL: https://www.amazon.com/Plano-Premium-Storage-included-PLABG371/dp/B084NQLFMH/ref=pd_lpo_2?pd_rd_i=B084NQLFMH&psc=1 (Year: 2020).
 International Search Report and Written Opinion dated May 19,
 2017 of PCT Application No. PCT/US2016/047971, 14 pages.

* cited by examiner

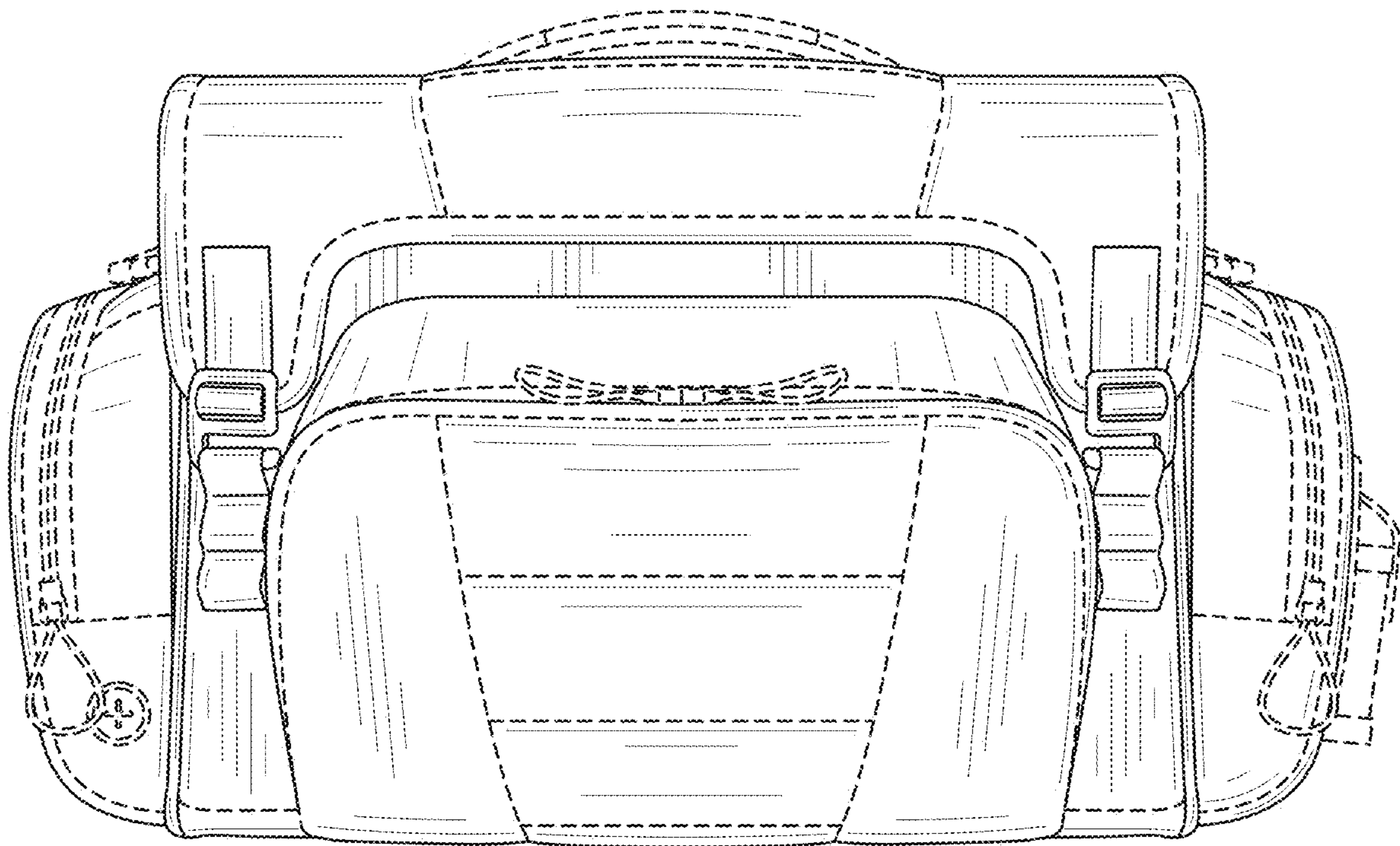


FIG. 1

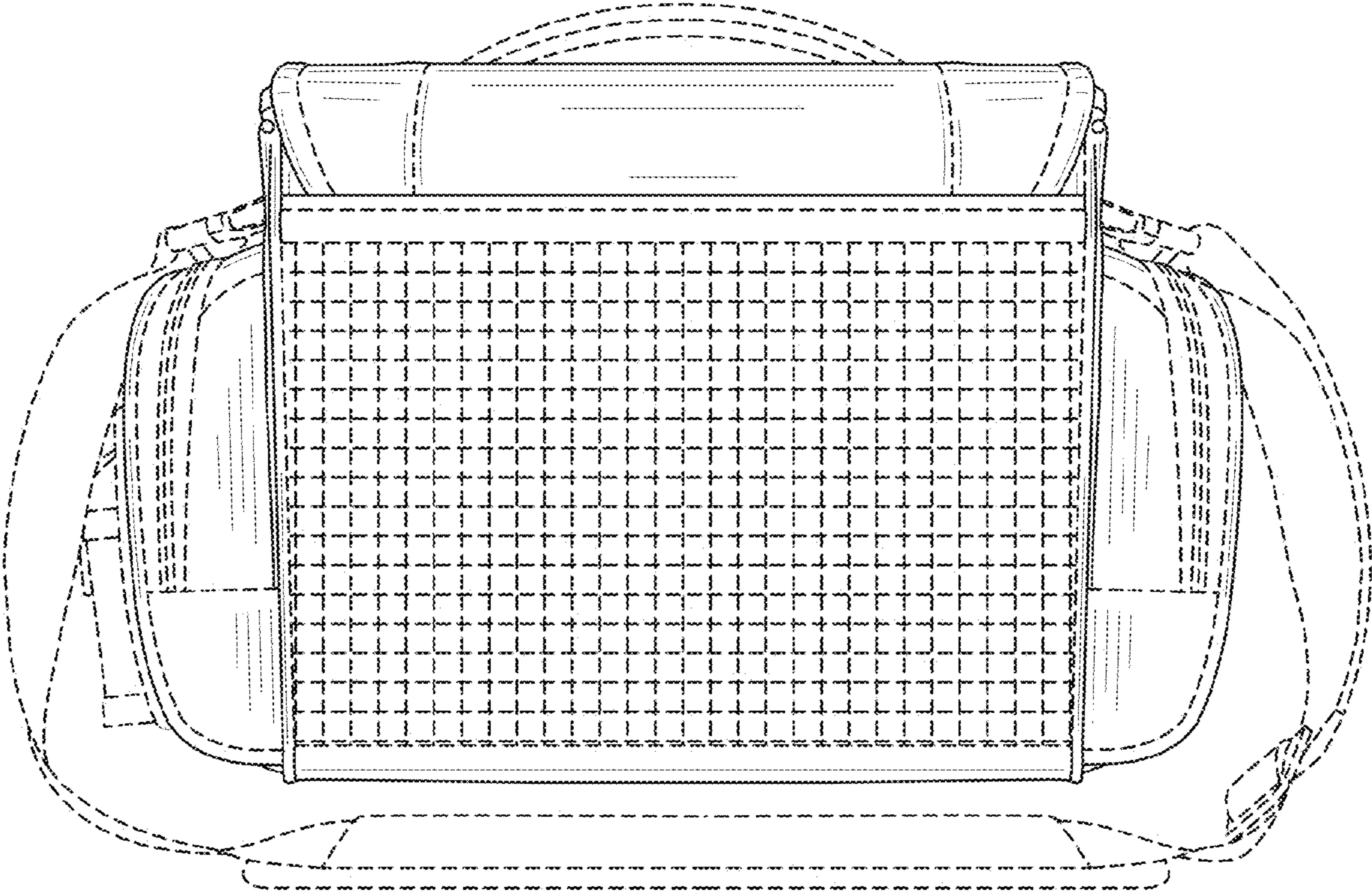


FIG. 2

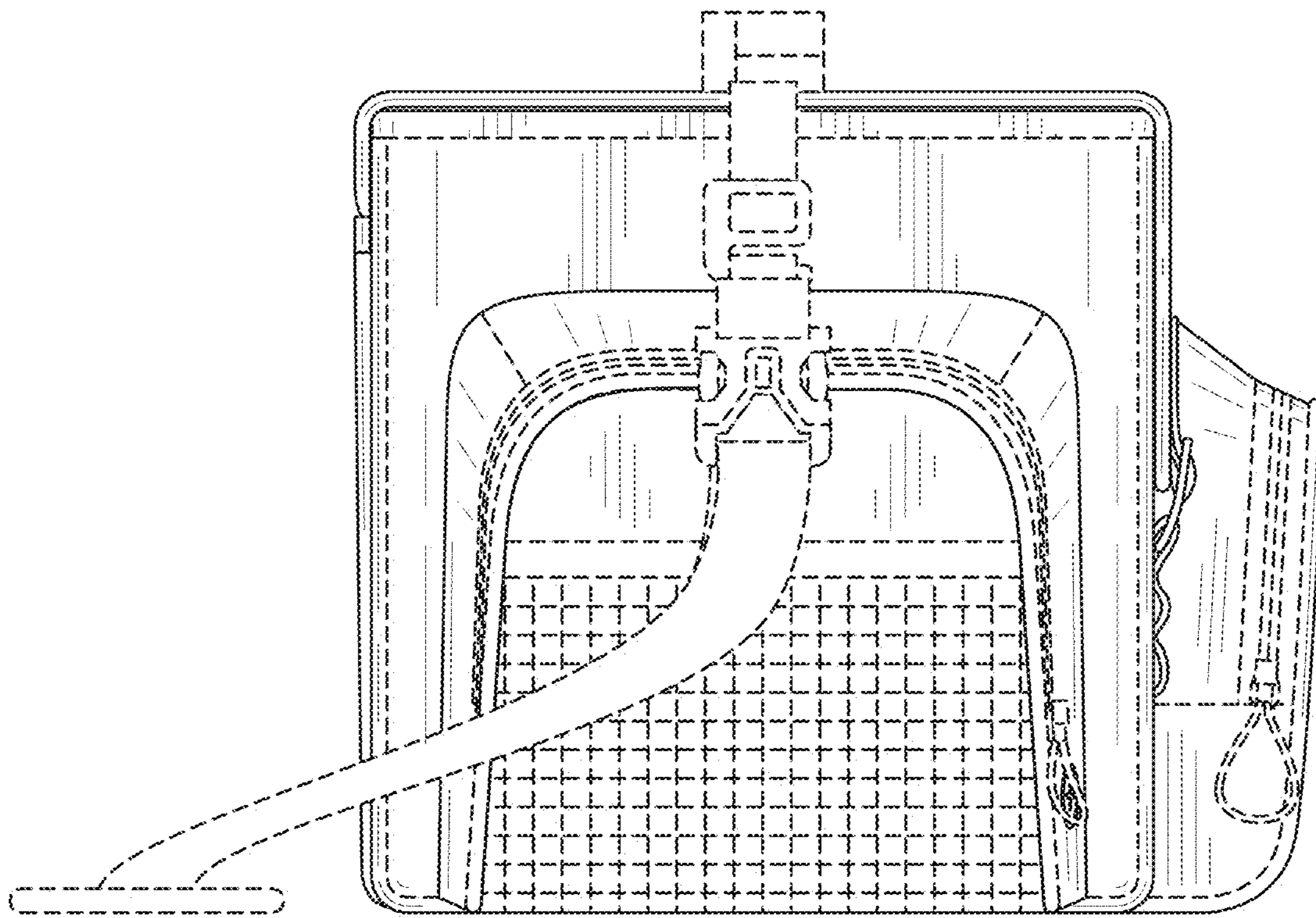


FIG. 3

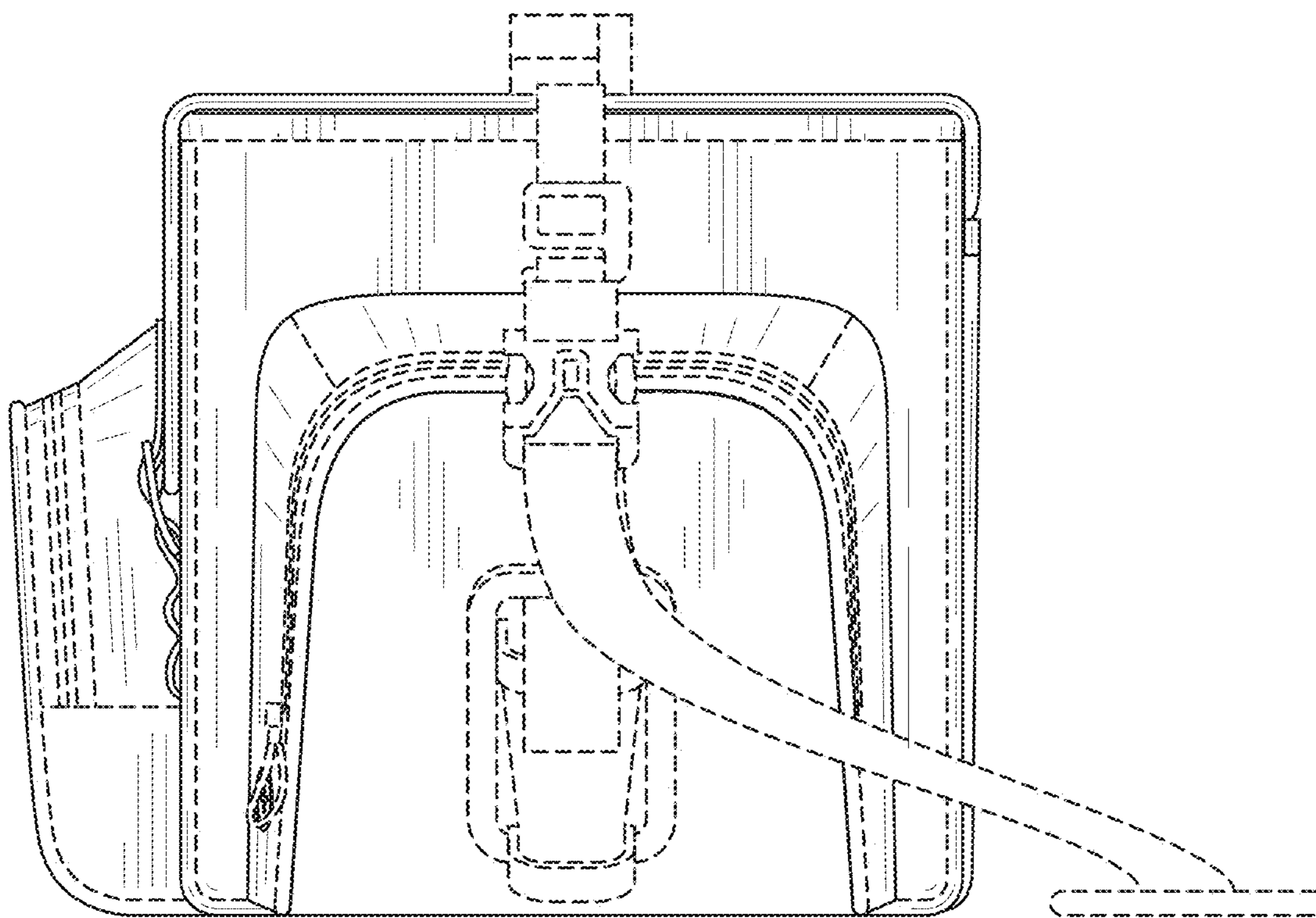


FIG. 4

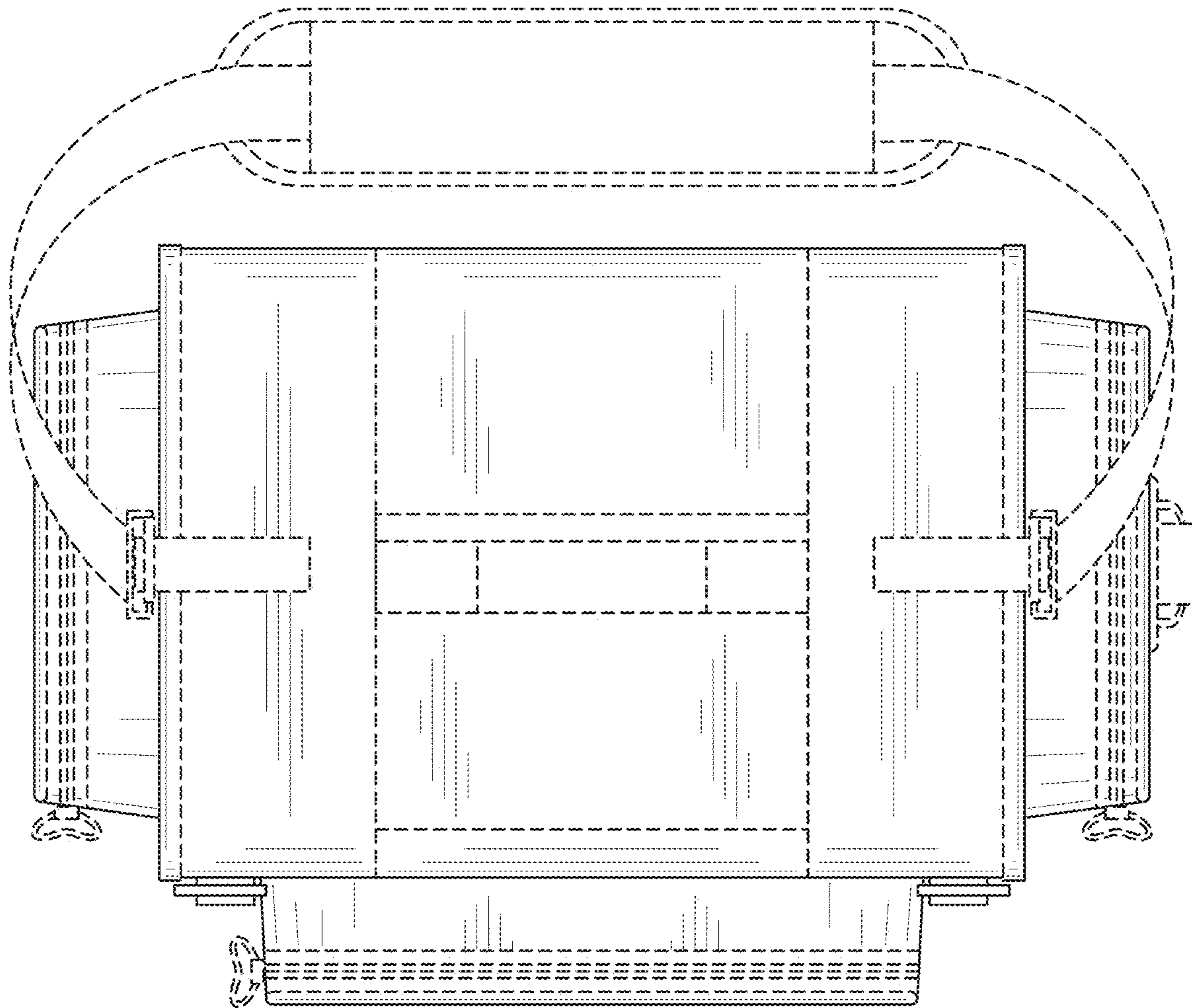


FIG. 5

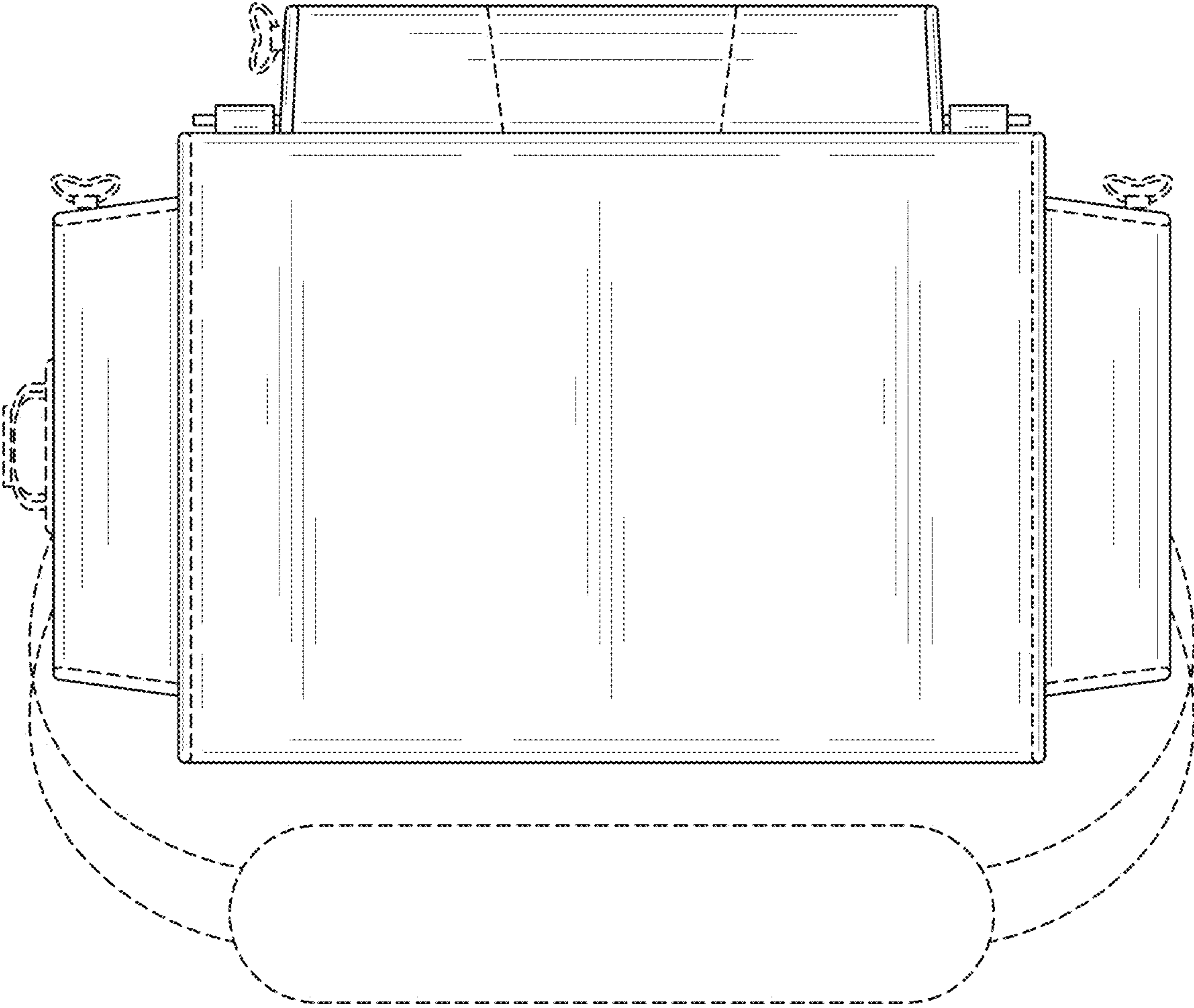


FIG. 6

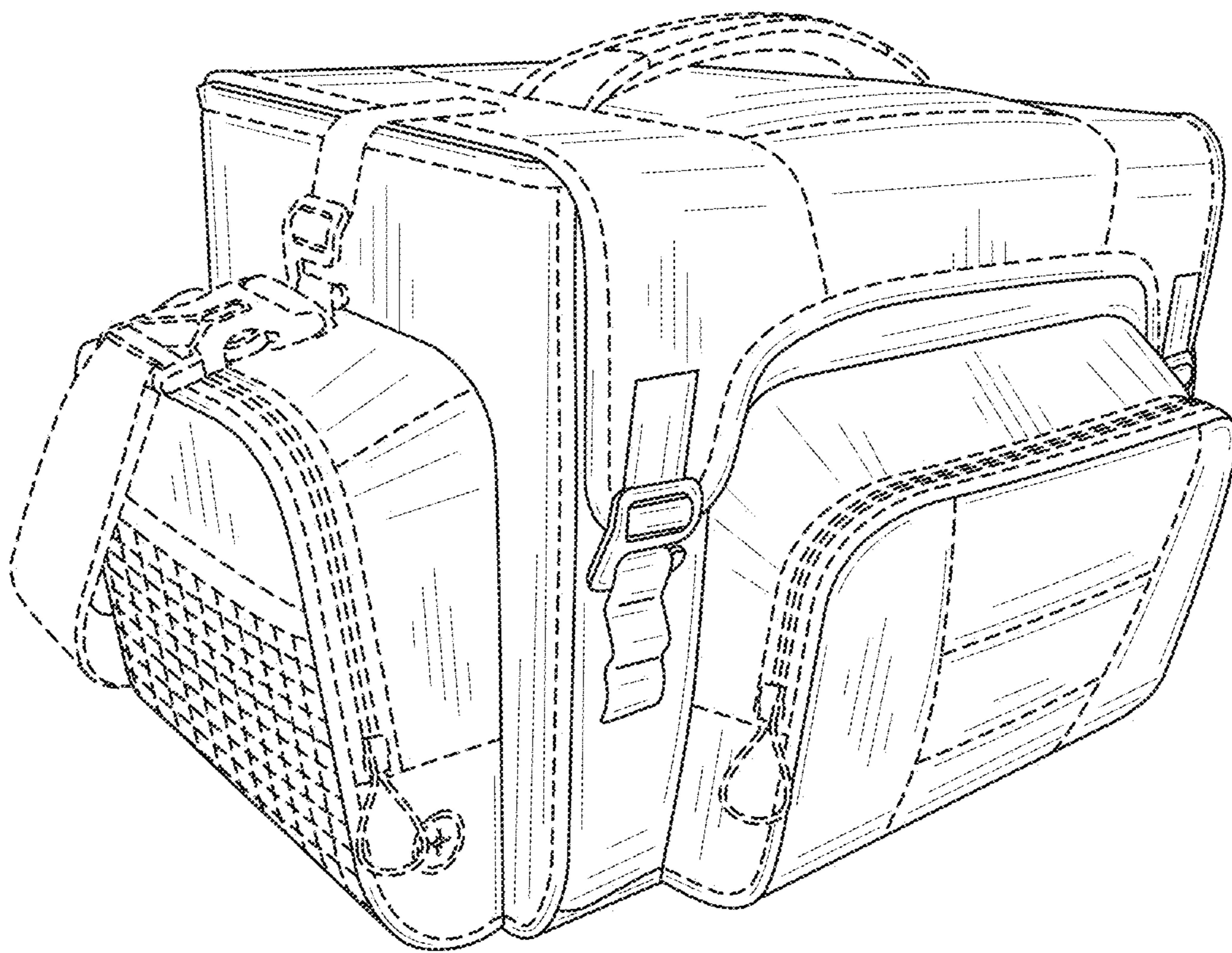


FIG. 7

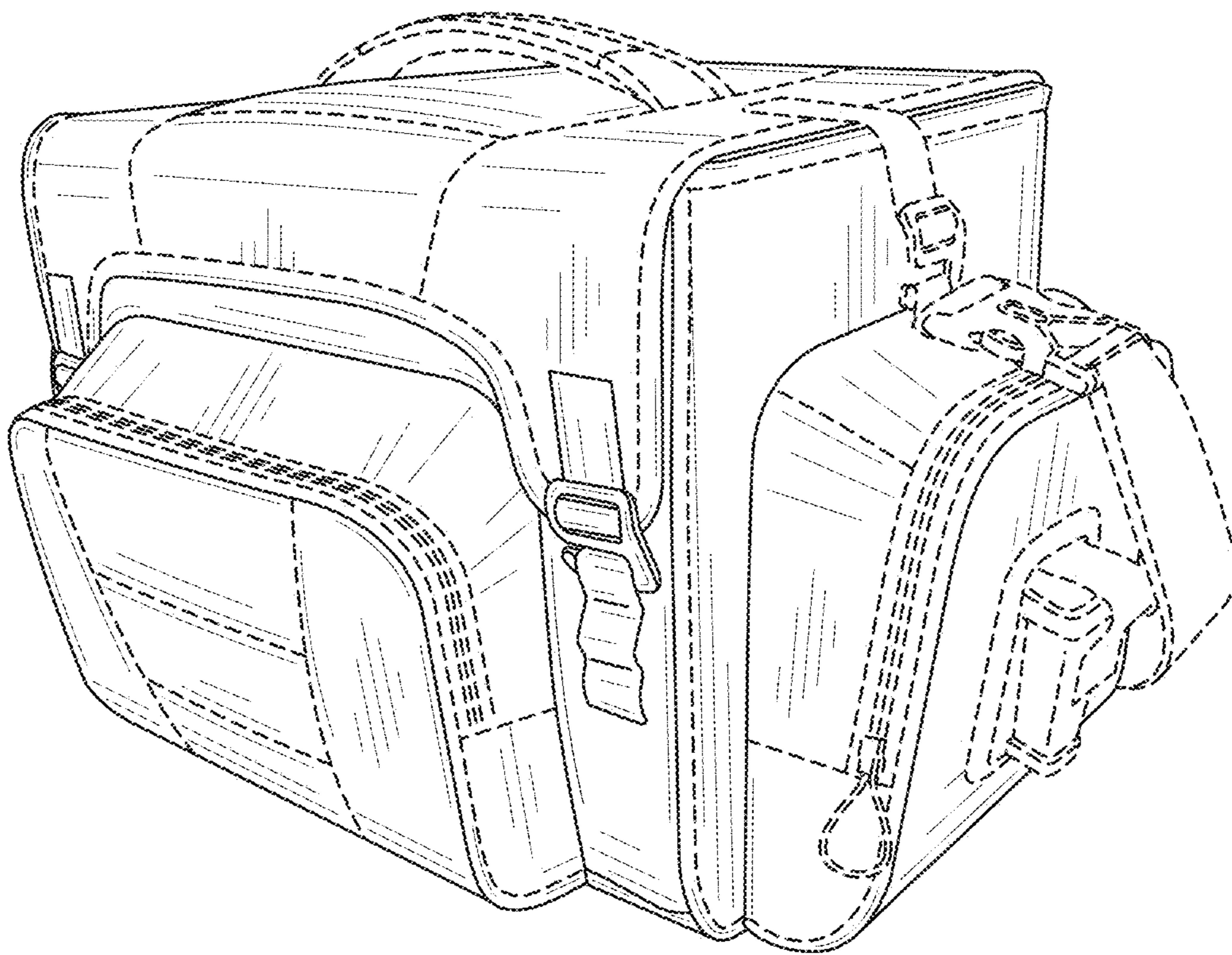


FIG. 8

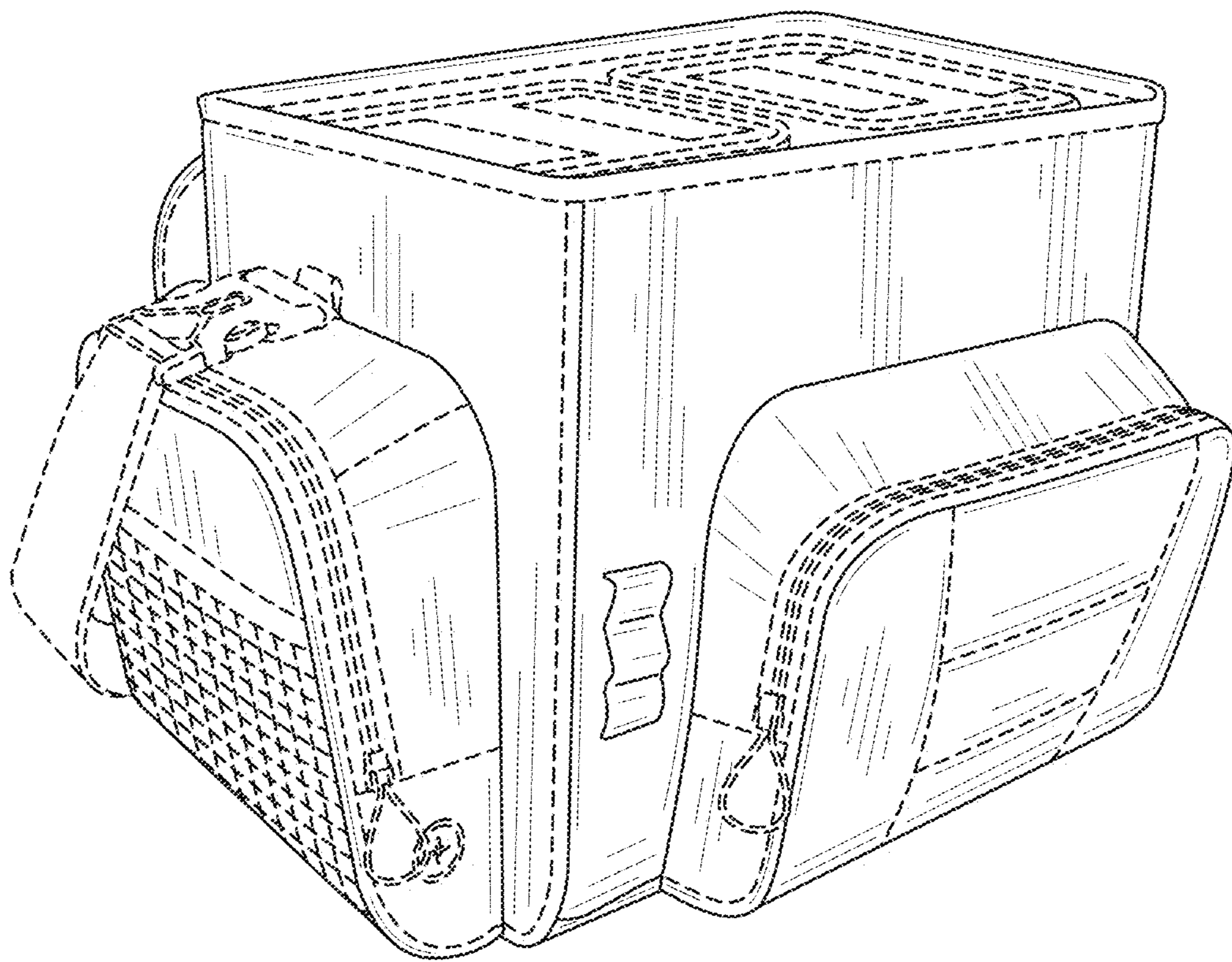


FIG. 9

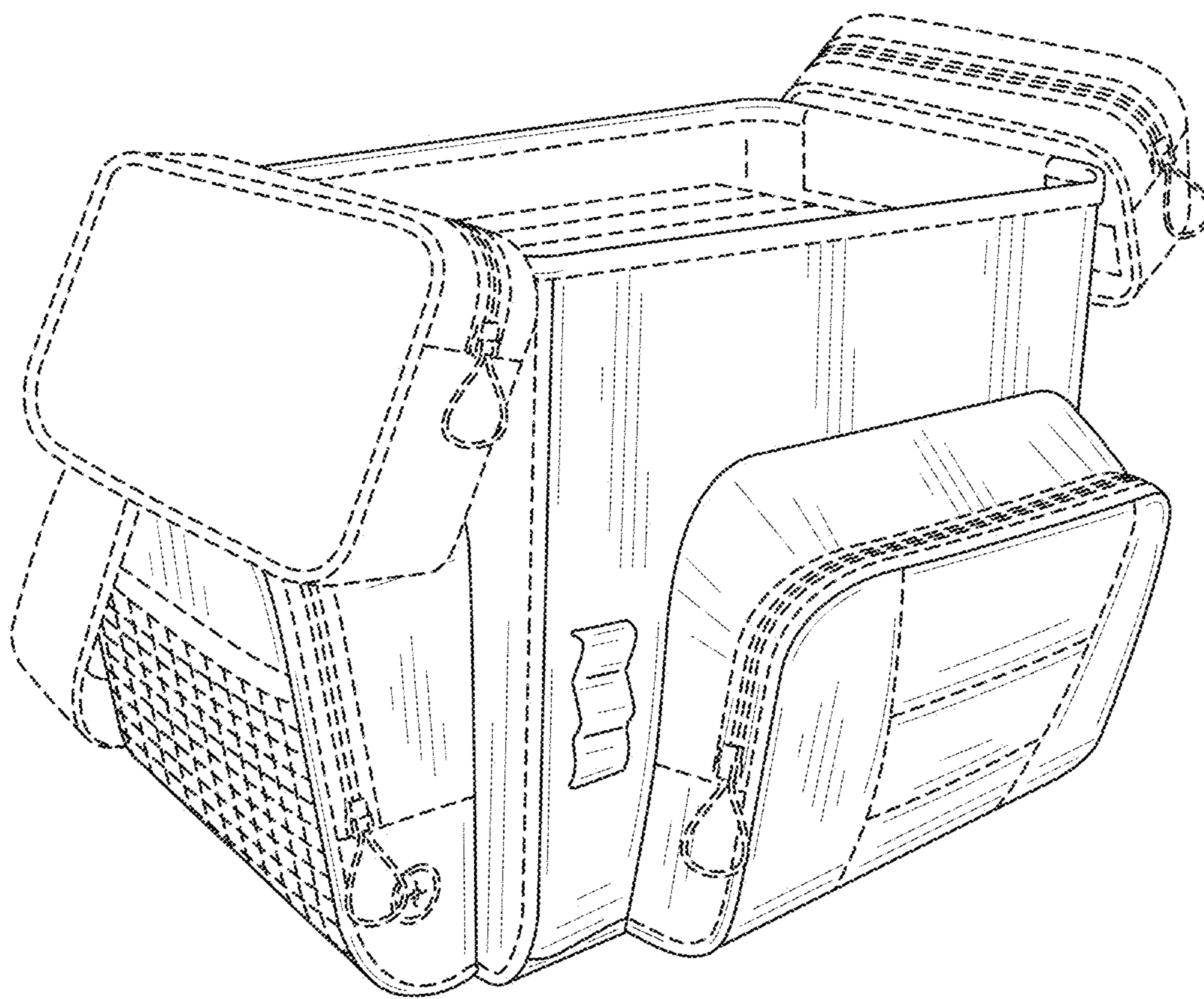


FIG. 10