

US00D939208S

(12) **United States Design Patent** (10) **Patent No.:** **US D939,208 S**
Sangirardi (45) **Date of Patent:** **** Dec. 28, 2021**

(54) **BAG**
(71) Applicant: **TORCH BOWLING INC.**, Medford, NY (US)
(72) Inventor: **William F. Sangirardi**, Medford, NY (US)
(**) Term: **15 Years**
(21) Appl. No.: **29/698,664**
(22) Filed: **Jul. 18, 2019**
(51) **LOC (13) Cl.** **03-01**
(52) **U.S. Cl.**
USPC **D3/258; D3/301; D3/318; D3/904**
(58) **Field of Classification Search**
USPC D3/201, 217, 273, 276, 279, 283, 285, D3/289, 290, 900, 902, 905, 257, 258, D3/318, 278, 301, 904
CPC A45C 2003/008; A45C 2005/035; A45C 2003/007; B25H 3/02
See application file for complete search history.

D870,458 S * 12/2019 Ryan D3/318
D892,503 S * 8/2020 Sangirardi D3/318
2011/0162931 A1* 7/2011 Collins A45C 5/14 190/8

OTHER PUBLICATIONS

Amazon, "Pyramid Path Triple Tote Roller Plus Bowling Bag", First on sale Mar. 11, 2015. (<https://www.amazon.com/Pyramid-Path-Triple-Tote-Roller/dp/B00EJCCDWI/?th=1>) (Year: 2015).*

* cited by examiner

Primary Examiner — April Rivas
(74) *Attorney, Agent, or Firm* — Law Offices of Michael L. Wise, LLC

(57) **CLAIM**

The ornamental design for a bag, as shown and described.

DESCRIPTION

FIG. 1 is a front perspective view of a bag showing the new design;
FIG. 2 is a left elevational view thereof;
FIG. 3 is a right elevational view thereof;
FIG. 4 is a front elevational view thereof;
FIG. 5 is a rear elevational view thereof;
FIG. 6 is a top plan view thereof; and,
FIG. 7 is a bottom plan view thereof.
The dash-dot-dot-dash lines and the break lines through the pull handle illustrate the bounds of the claimed design. The remaining broken lines in the drawings are directed to environment and form no part of the claimed design.

(56) **References Cited**

U.S. PATENT DOCUMENTS

D537,628 S *	3/2007	Teitloff	D3/258
D552,349 S *	10/2007	Greiner	D3/278
D588,353 S *	3/2009	Khubani	D3/201
D664,765 S *	8/2012	Saia	D3/279
D704,441 S *	5/2014	Machuca	D3/288
D747,098 S *	1/2016	Collins	D3/254
D747,605 S *	1/2016	Collins	D3/254
D756,119 S *	5/2016	Hamilton	D3/315
D784,693 S *	4/2017	Quarry	D3/257
D863,767 S *	10/2019	Burgess	D3/318

1 Claim, 4 Drawing Sheets

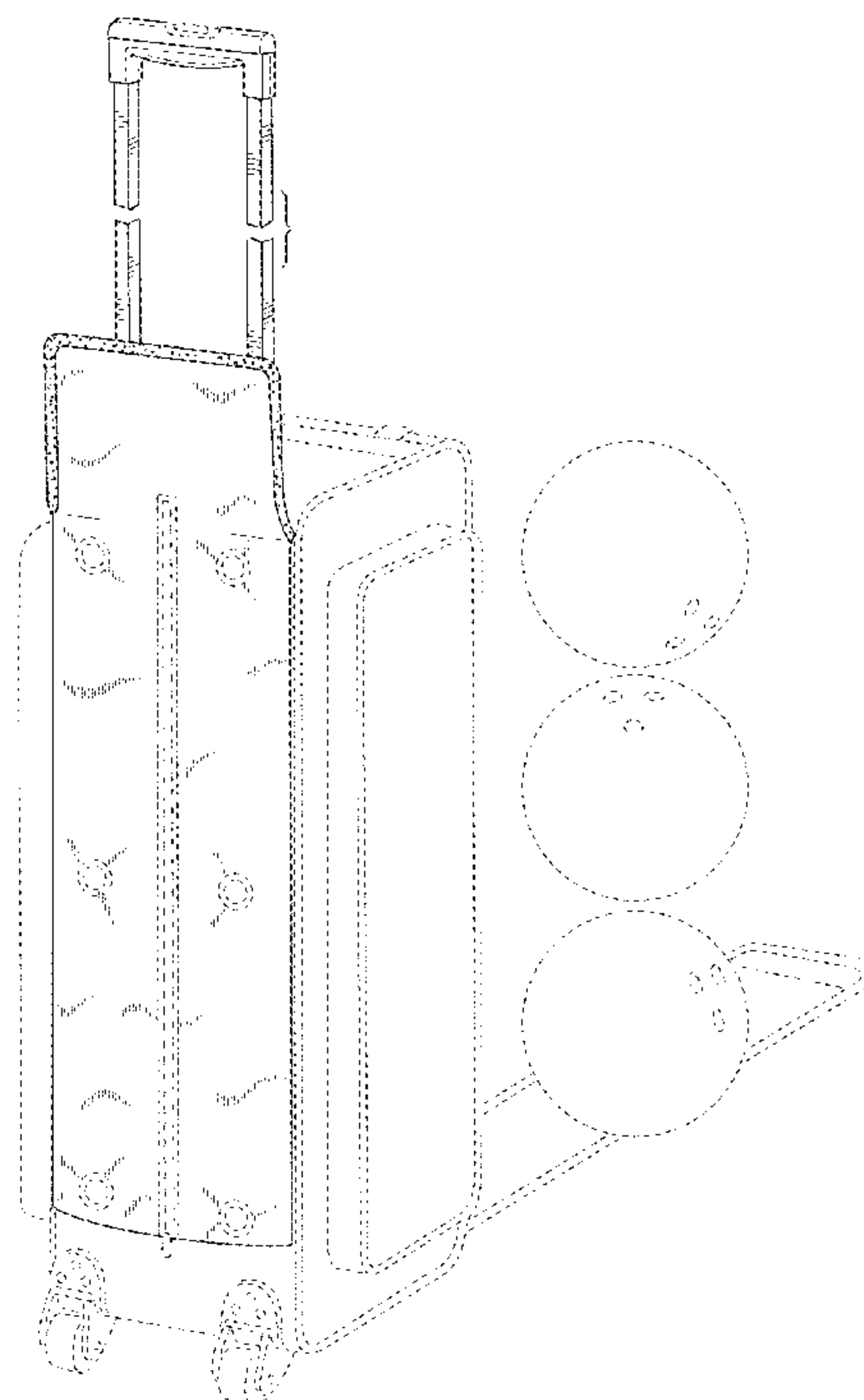


Fig. 1

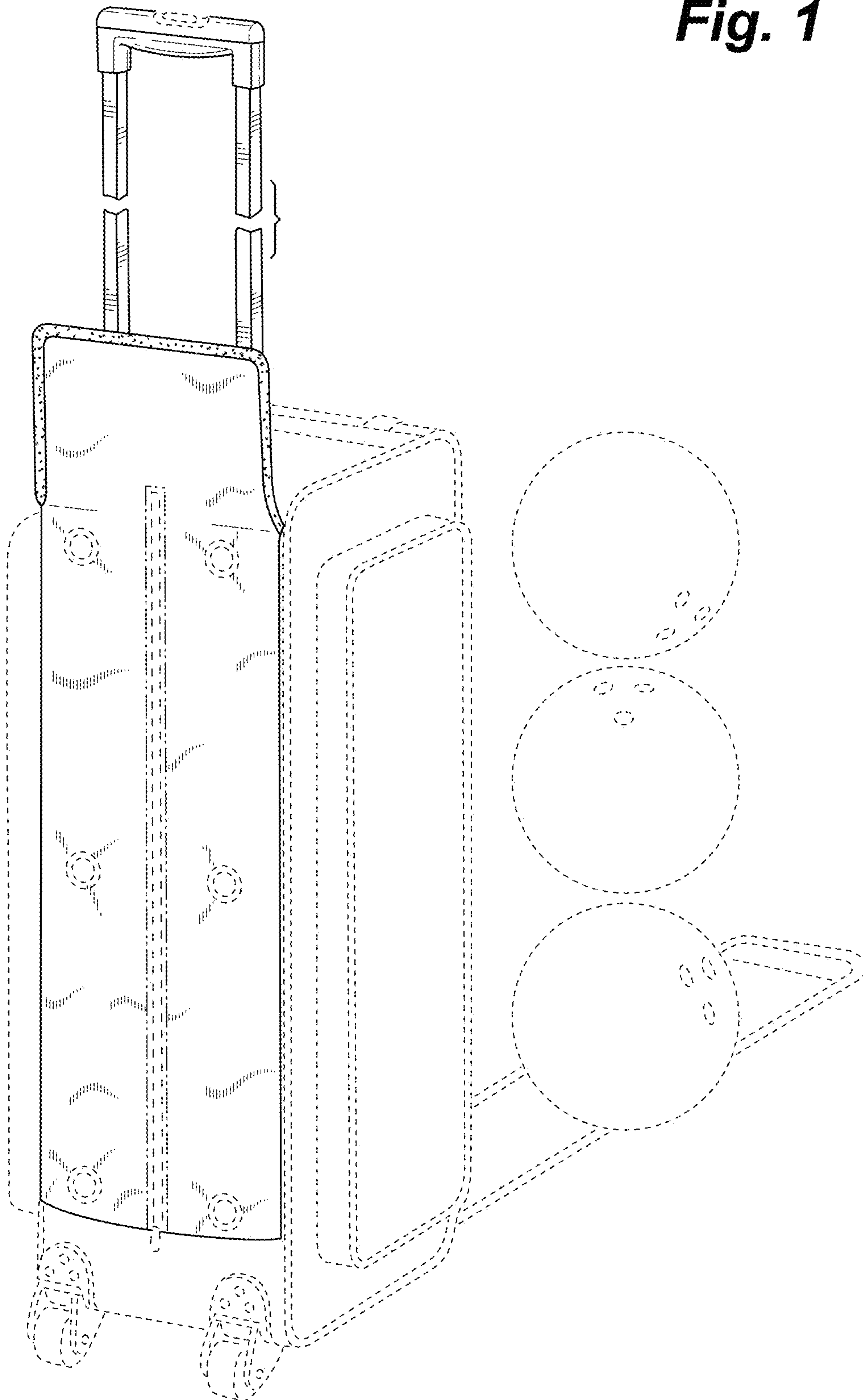


Fig. 2

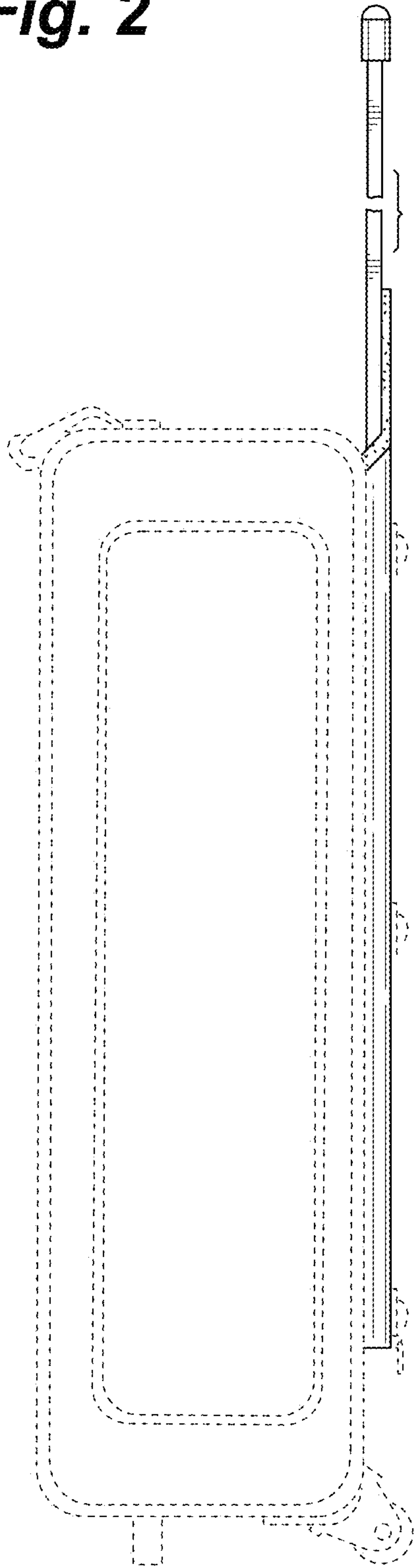


Fig. 3

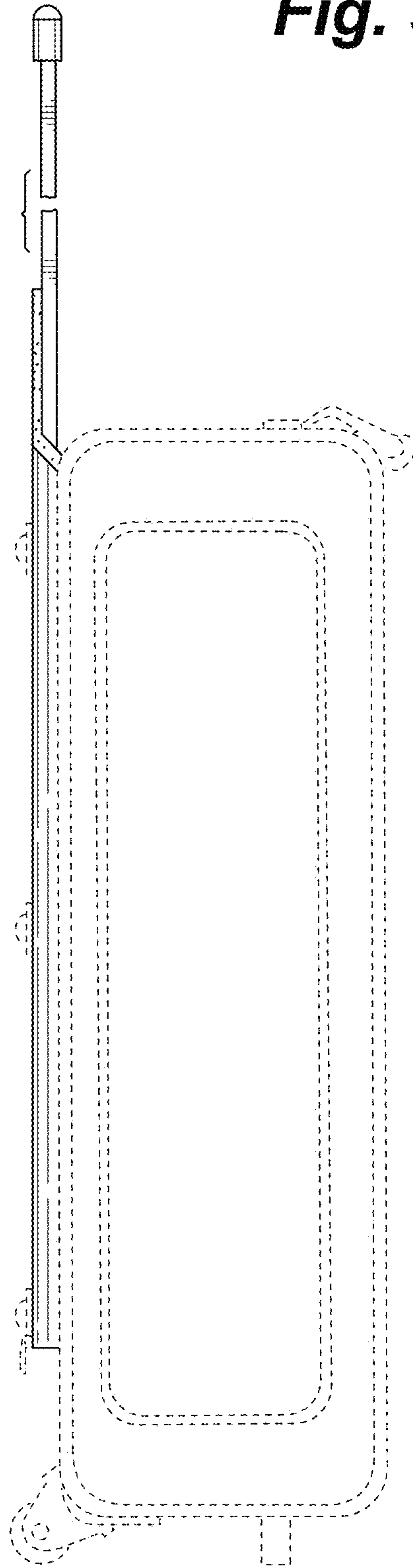


Fig. 4

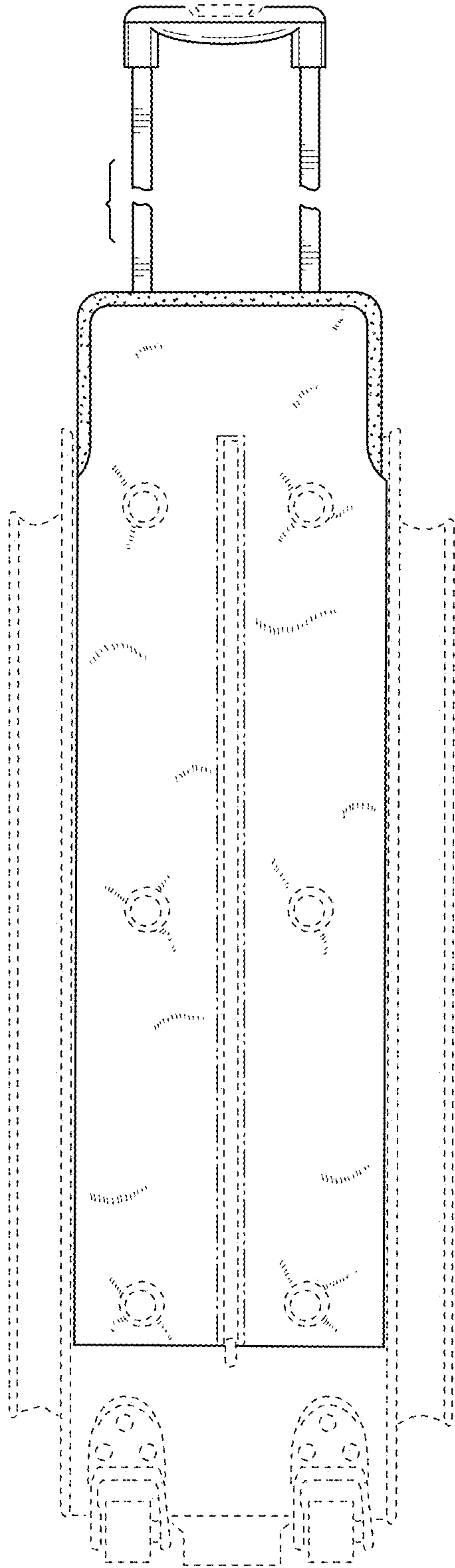
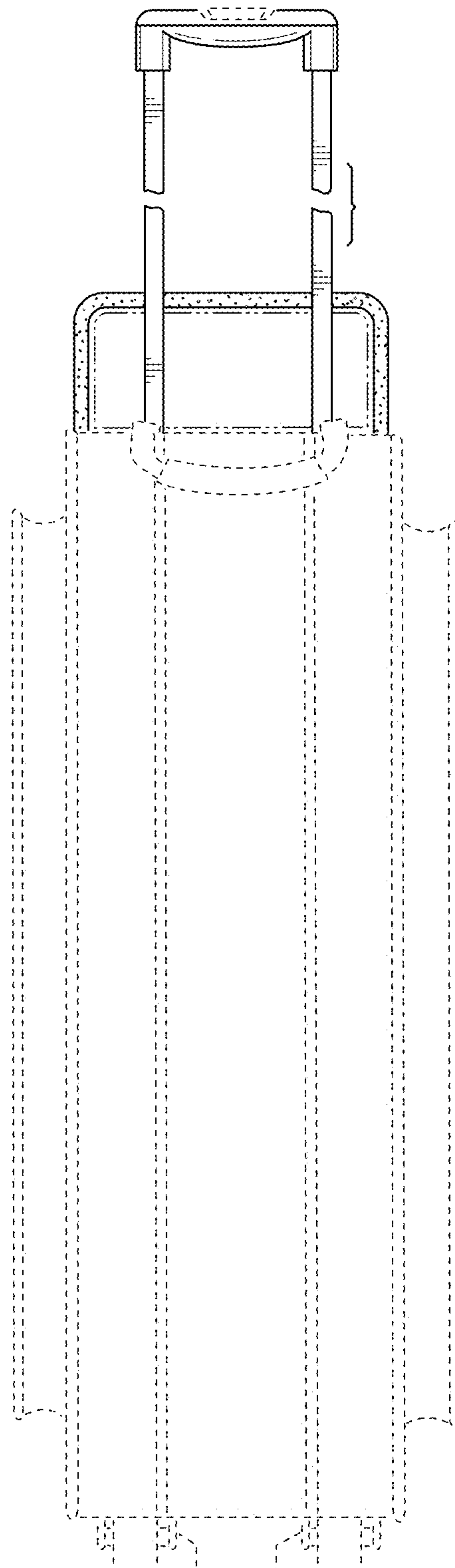


Fig. 5



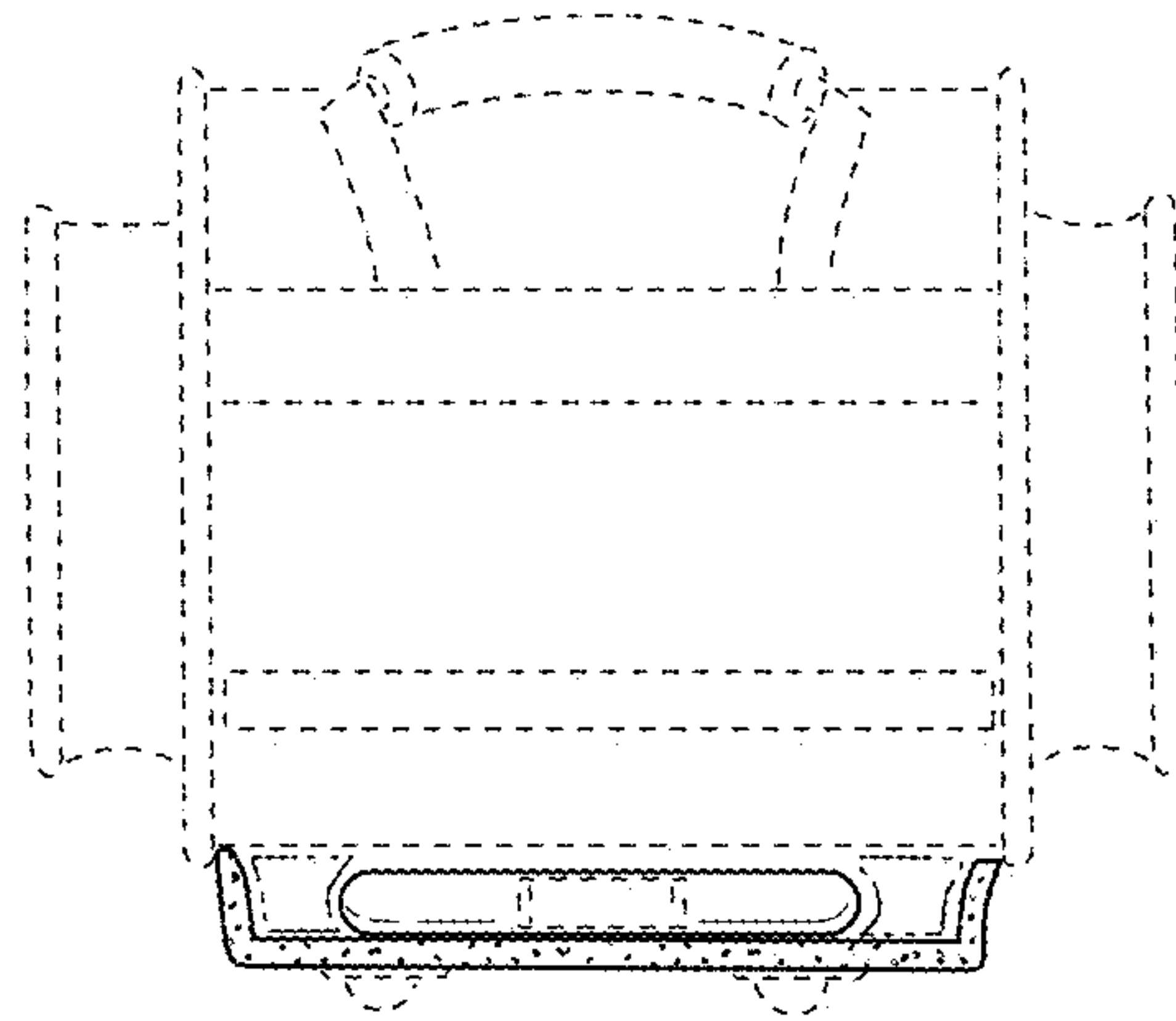


Fig. 6

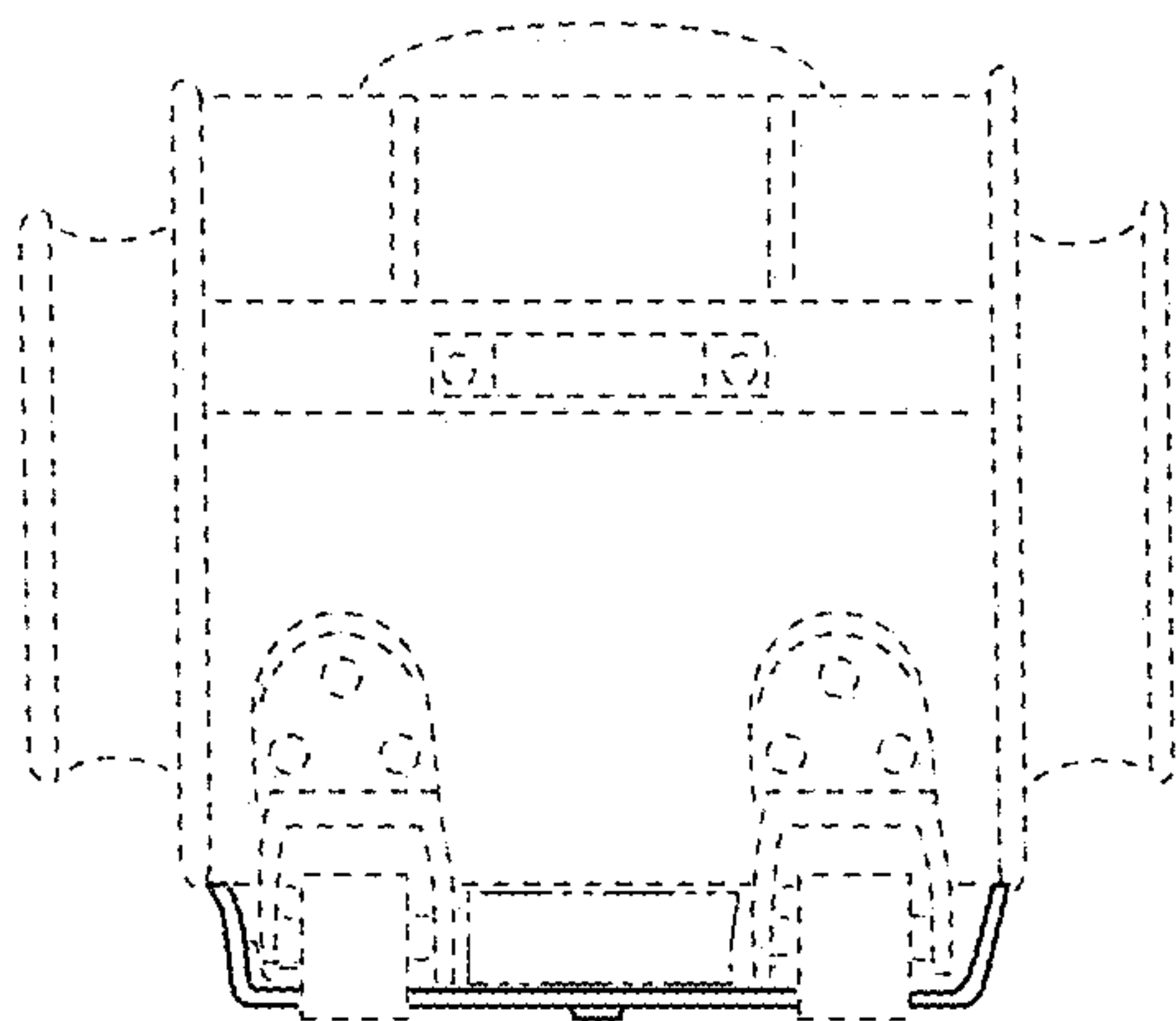


Fig. 7