



US00D939207S

(12) **United States Design Patent**
Zhao

(10) **Patent No.:** **US D939,207 S**
(45) **Date of Patent:** **** Dec. 28, 2021**

(54) **BACKPACK**

- (71) Applicant: **Yiwu Mingdu International Trade Co., Ltd**, Yiwu Zhejiang (CN)
- (72) Inventor: **Xian Zhao**, Yiwu Zhejiang (CN)
- (73) Assignee: **Yiwu Mingdu International Trade Co., Ltd**, Yiwu Zhejiang (CN)

(**) Term: **15 Years**

(21) Appl. No.: **29/731,446**

(22) Filed: **Apr. 15, 2020**

(51) **LOC (13) Cl.** **03-01**

(52) **U.S. Cl.**
USPC **D3/217**

(58) **Field of Classification Search**
USPC D3/216, 217, 318
CPC A45F 3/04; A45F 4/02; A45F 2003/003;
A45F 4/06; A45C 13/08; A45C 13/26;
A45C 15/00; A45C 2003/005; A63H
33/00; B62J 9/00; B62J 9/21; B62J 9/23
See application file for complete search history.

(56) **References Cited**

U.S. PATENT DOCUMENTS

D802,913	S	*	11/2017	Tien	D3/217
D828,017	S	*	9/2018	Judah	D3/217
D849,399	S	*	5/2019	Christophe	D3/217
D919,960	S	*	5/2021	Hueber	D3/217
2005/0045673	A1	*	3/2005	Godshaw	A45F 3/04 224/153
2015/0257517	A1	*	9/2015	Holtz	A45F 4/02 224/645
2017/0347766	A1	*	12/2017	Chung	A45F 3/042

OTHER PUBLICATIONS

MOSISO Sling Backpack, Multipurpose Crossbody Shoulder Bag Travel Hiking Daypack by MOSISO; first on Amazon Jun. 28, 2017, viewed Oct. 23, 2021; Available at URL: https://www.amazon.com/MOSISO-Backpack-Multipurpose-Crossbody-Shoulder/dp/B0756WWQ3P/ref=sr_1_44?dchild=1&keywords=backpack%2Bwith%2Bconvertible%2Bshoulder%2B.*

* cited by examiner

Primary Examiner — Jennifer L Watkins

(74) *Attorney, Agent, or Firm* — ScienBiziP, P.C.

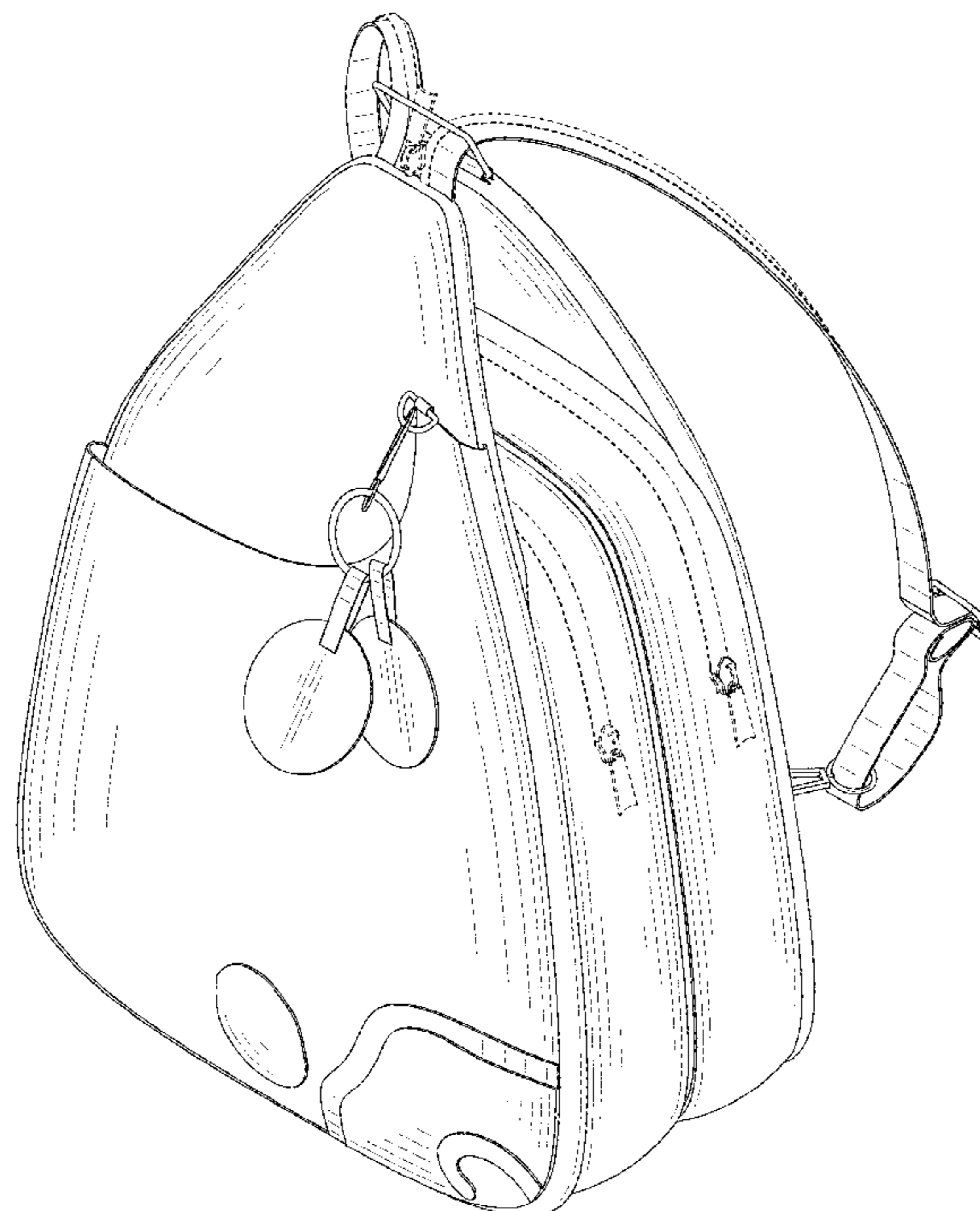
(57) **CLAIM**

The ornamental design for a backpack, as shown and described.

DESCRIPTION

FIG. 1 is a front perspective view of a backpack, showing my design.
 FIG. 2 is a rear perspective view thereof.
 FIG. 3 is a front elevation view thereof.
 FIG. 4 is a rear elevation view thereof.
 FIG. 5 is a left side elevation view thereof.
 FIG. 6 is a right side elevation view thereof.
 FIG. 7 is a top plan view thereof.
 FIG. 8 is a bottom plan view thereof; and,
 FIG. 9 is a perspective view of the backpack with shoulder zipper closed.
 The broken lines depict portions of the backpack and form no part of the claim.

1 Claim, 9 Drawing Sheets



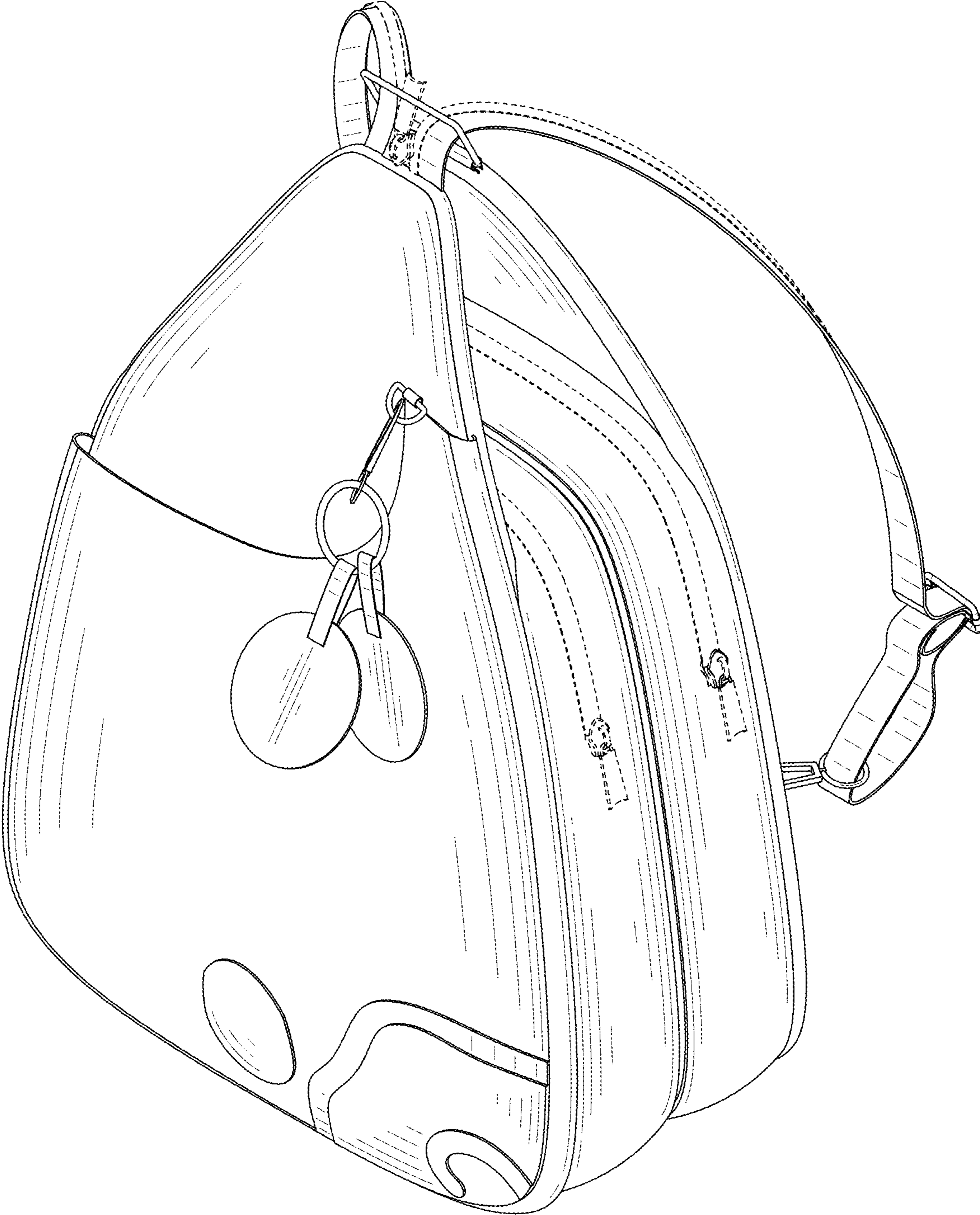


FIG. 1

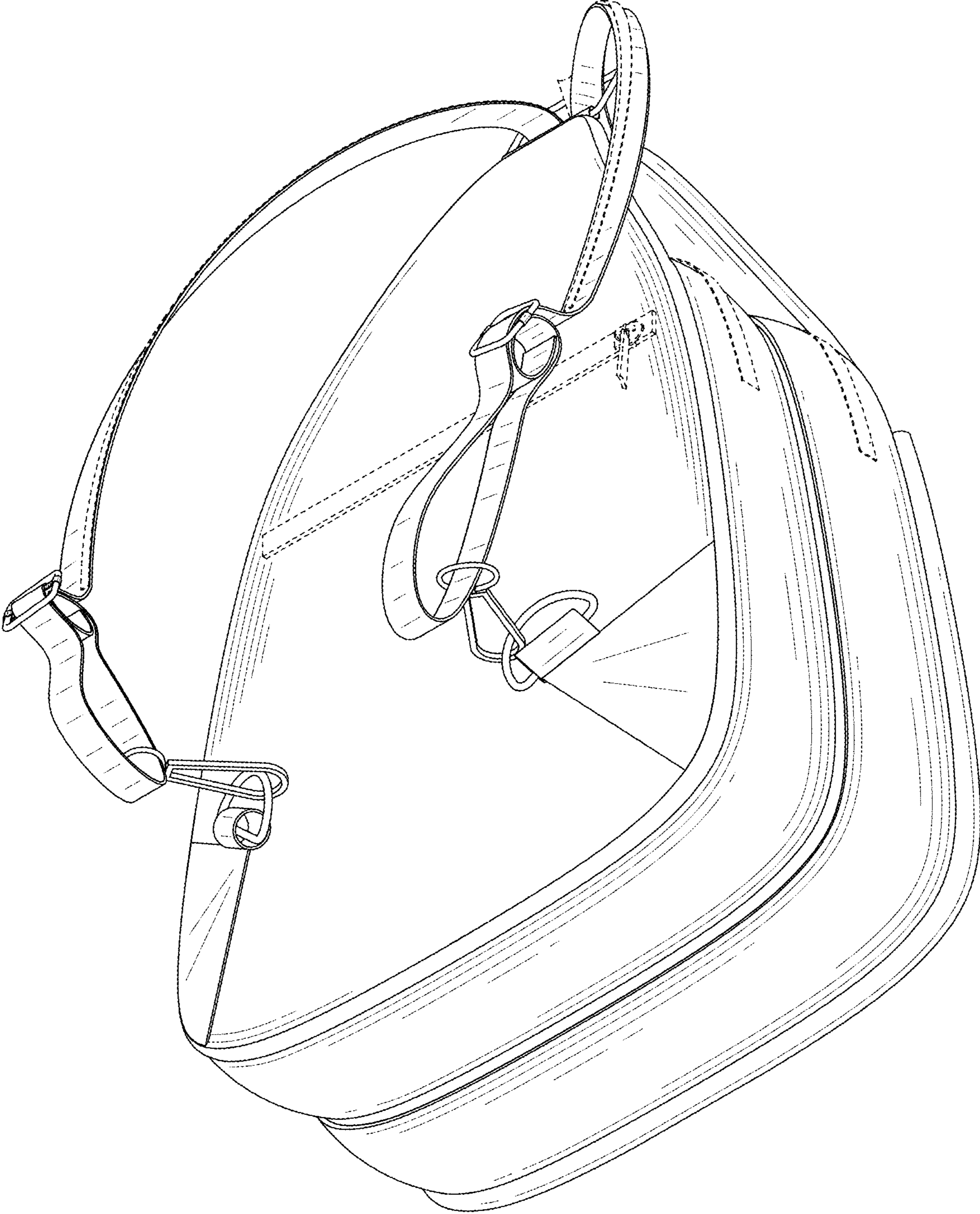


FIG. 2

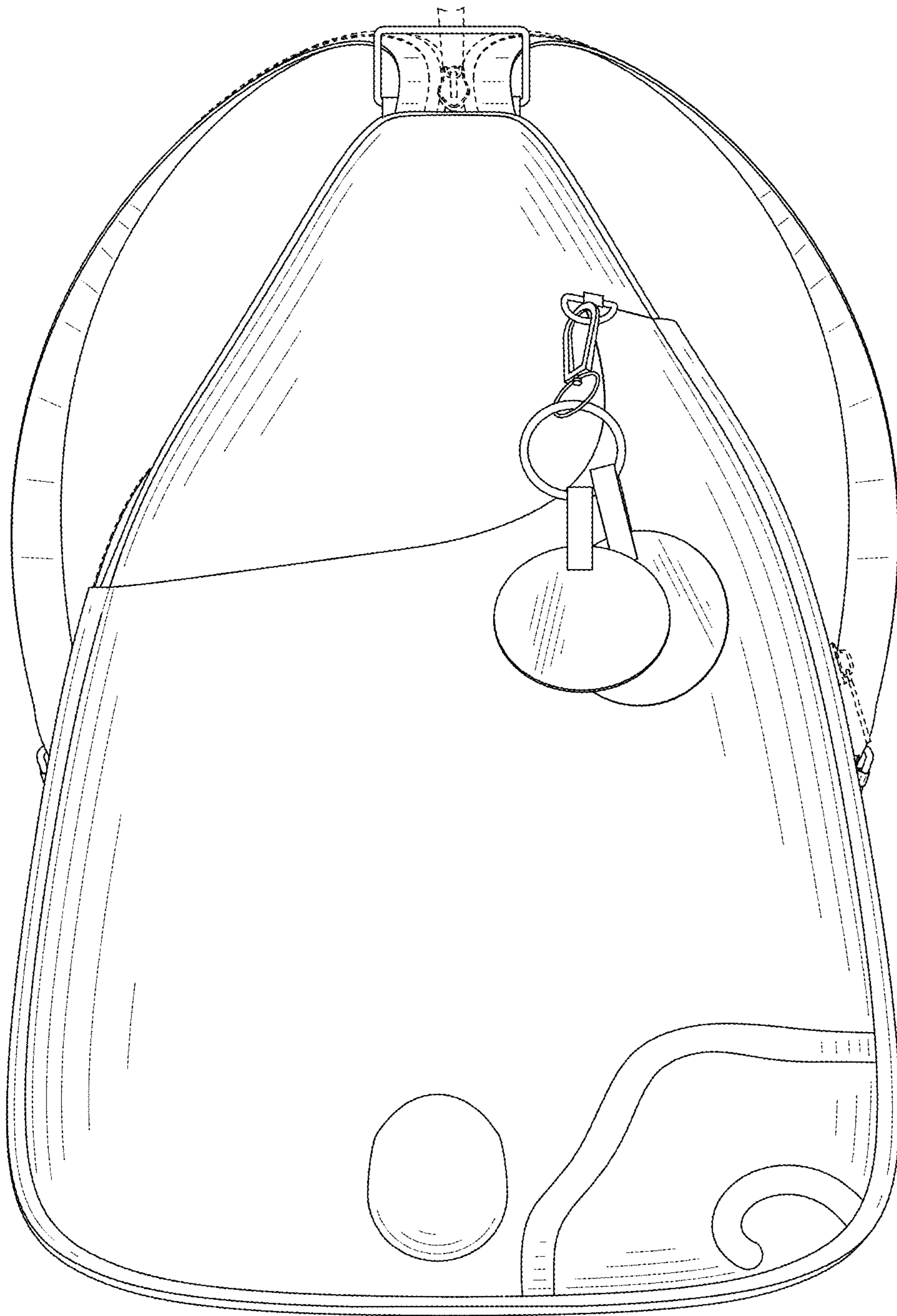


FIG. 3

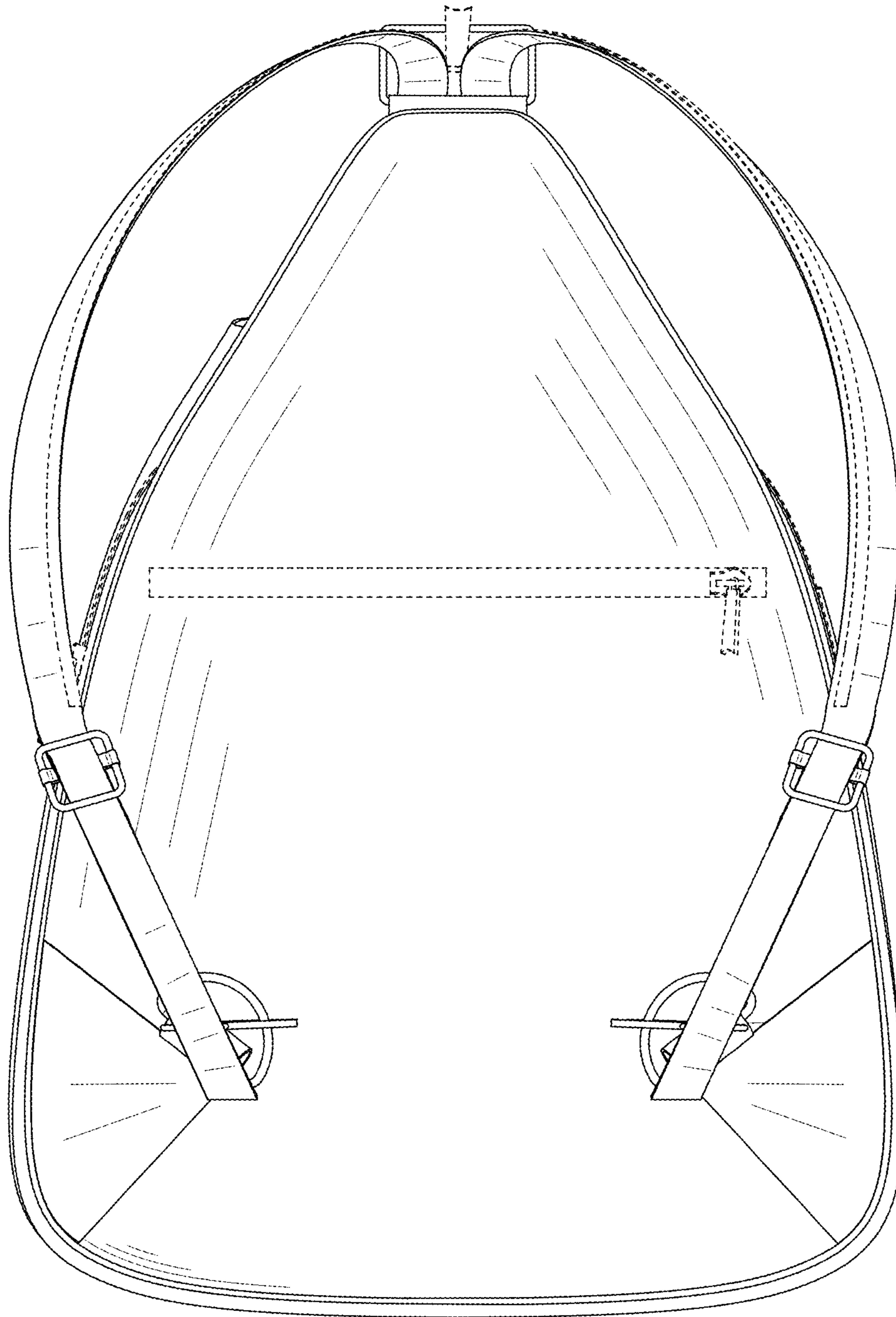


FIG. 4

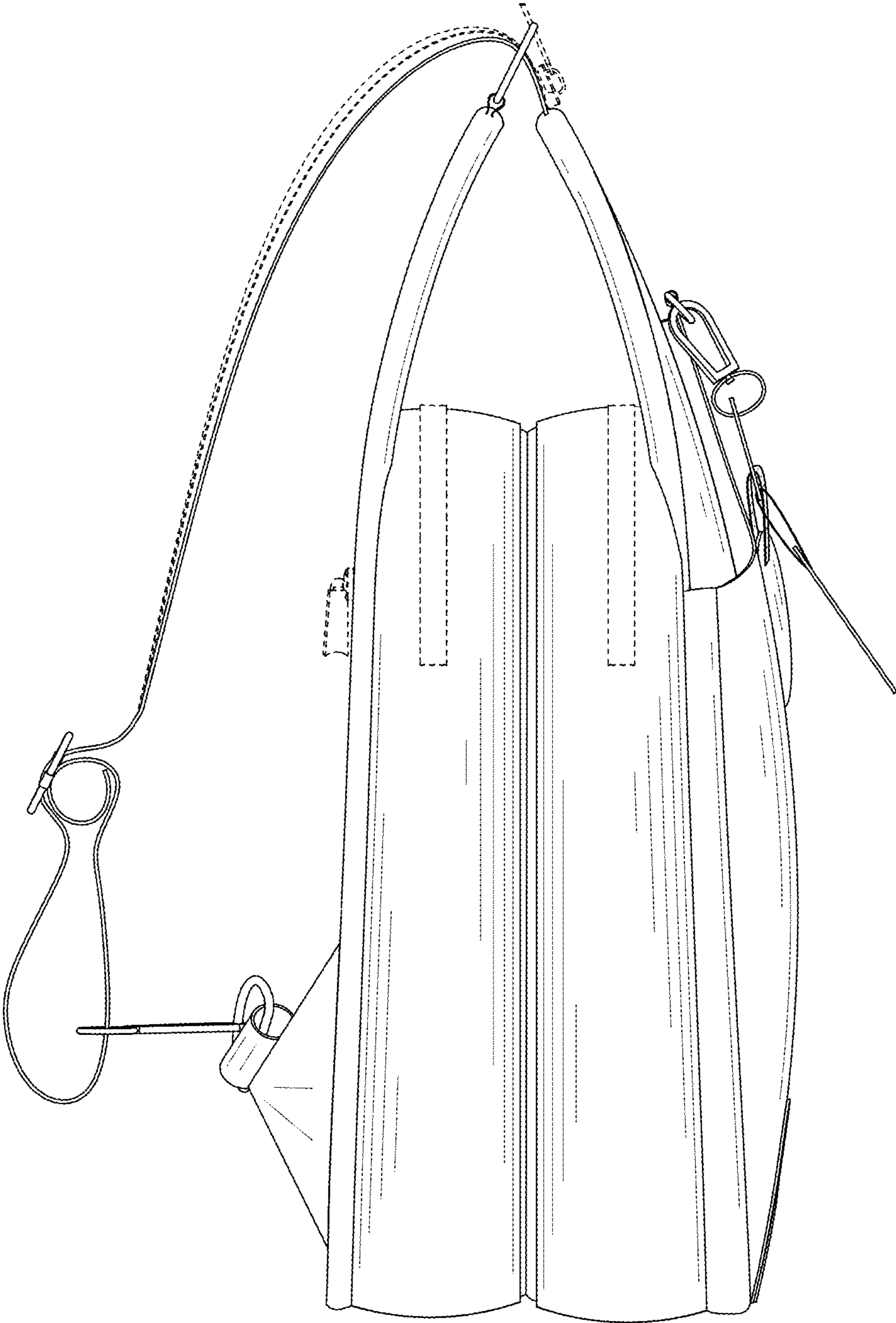


FIG. 5

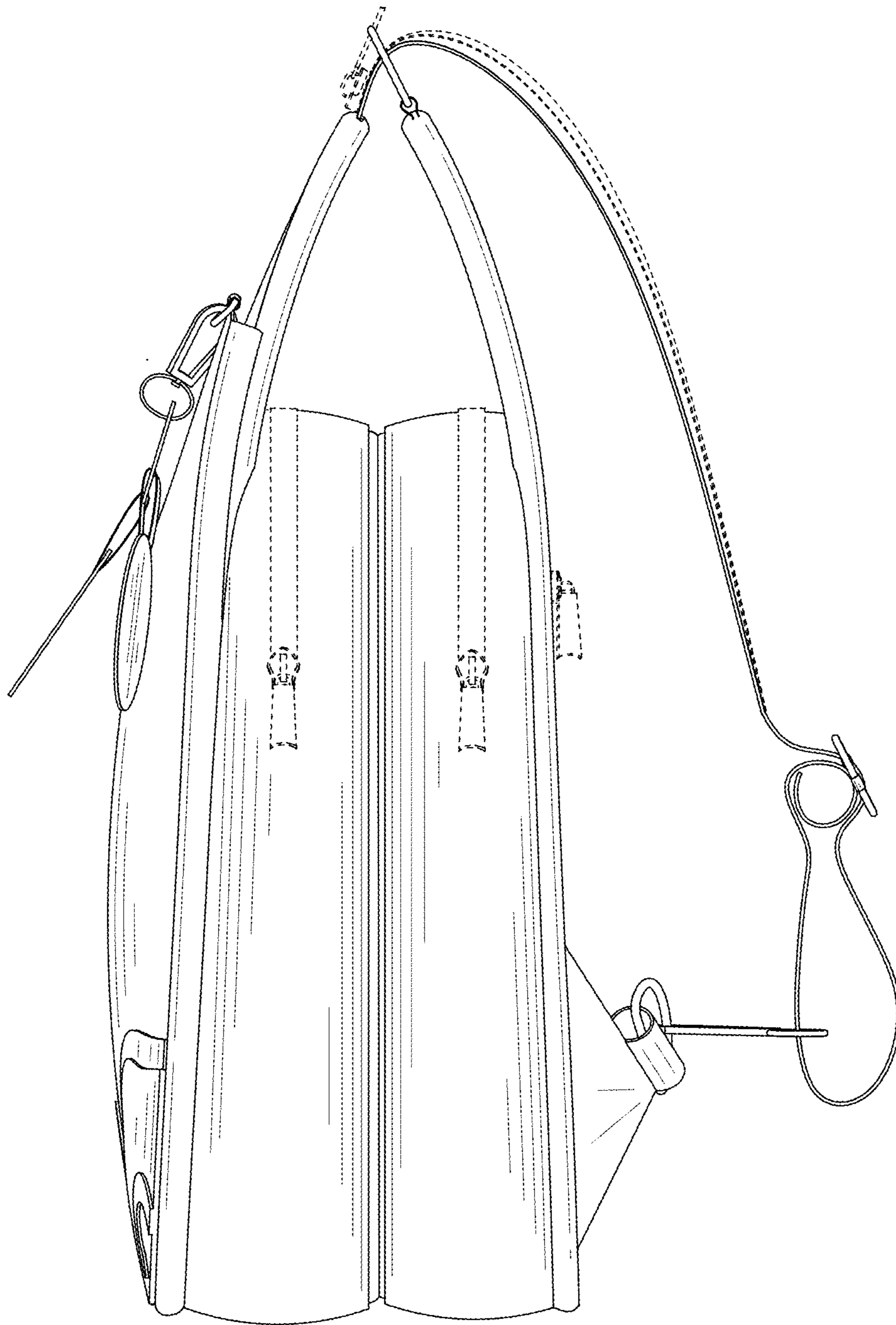


FIG. 6

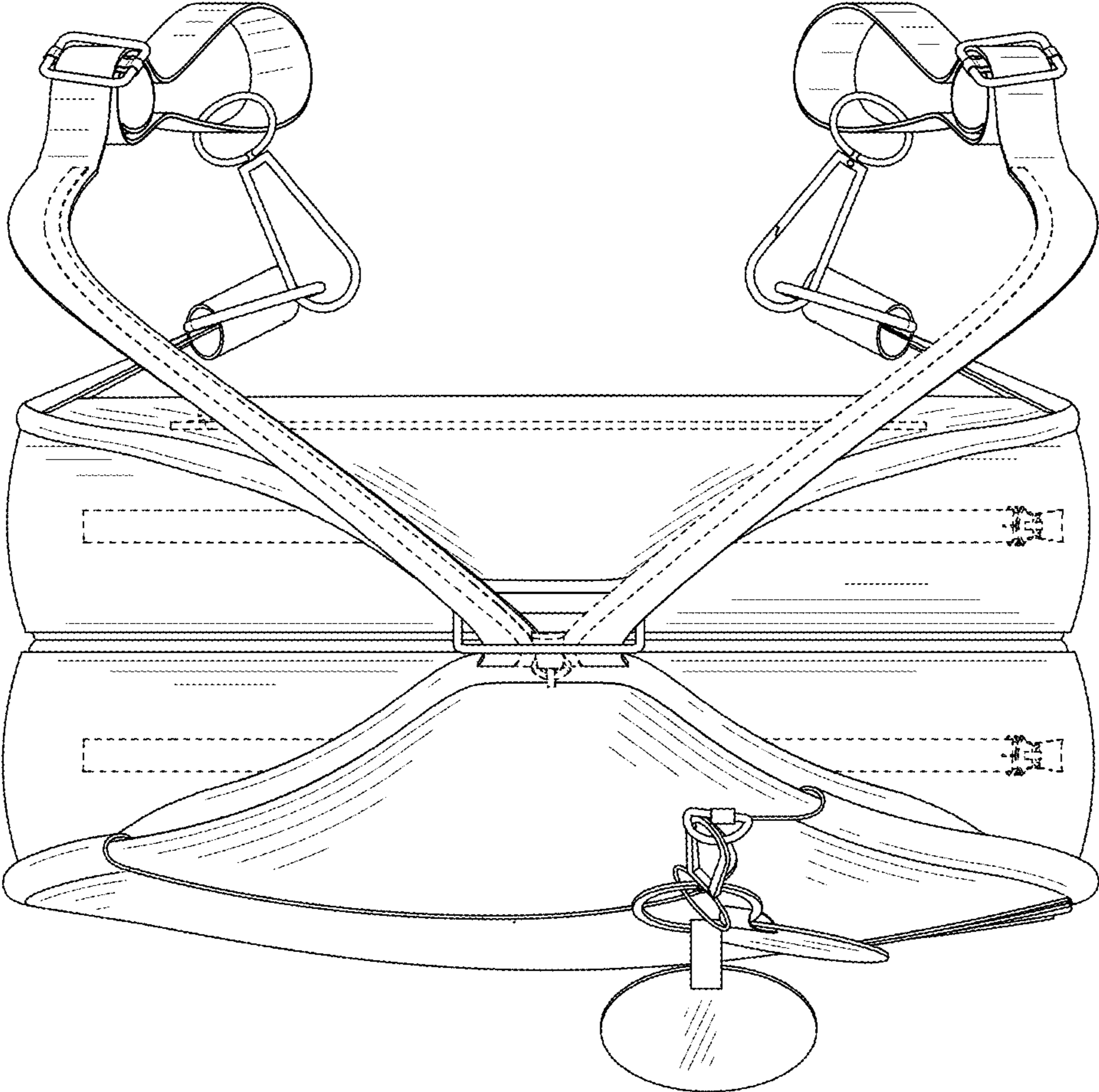


FIG. 7

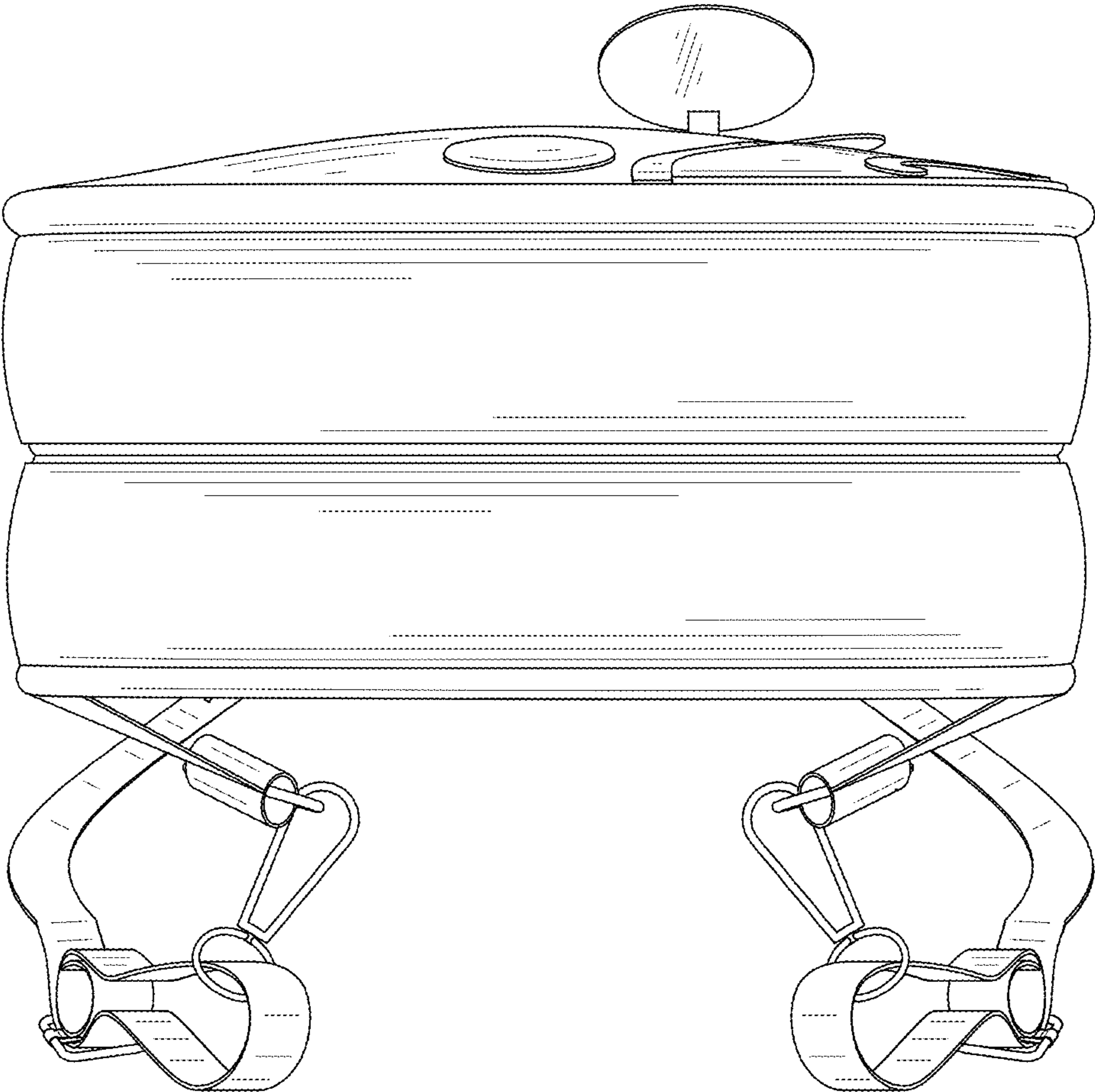


FIG. 8

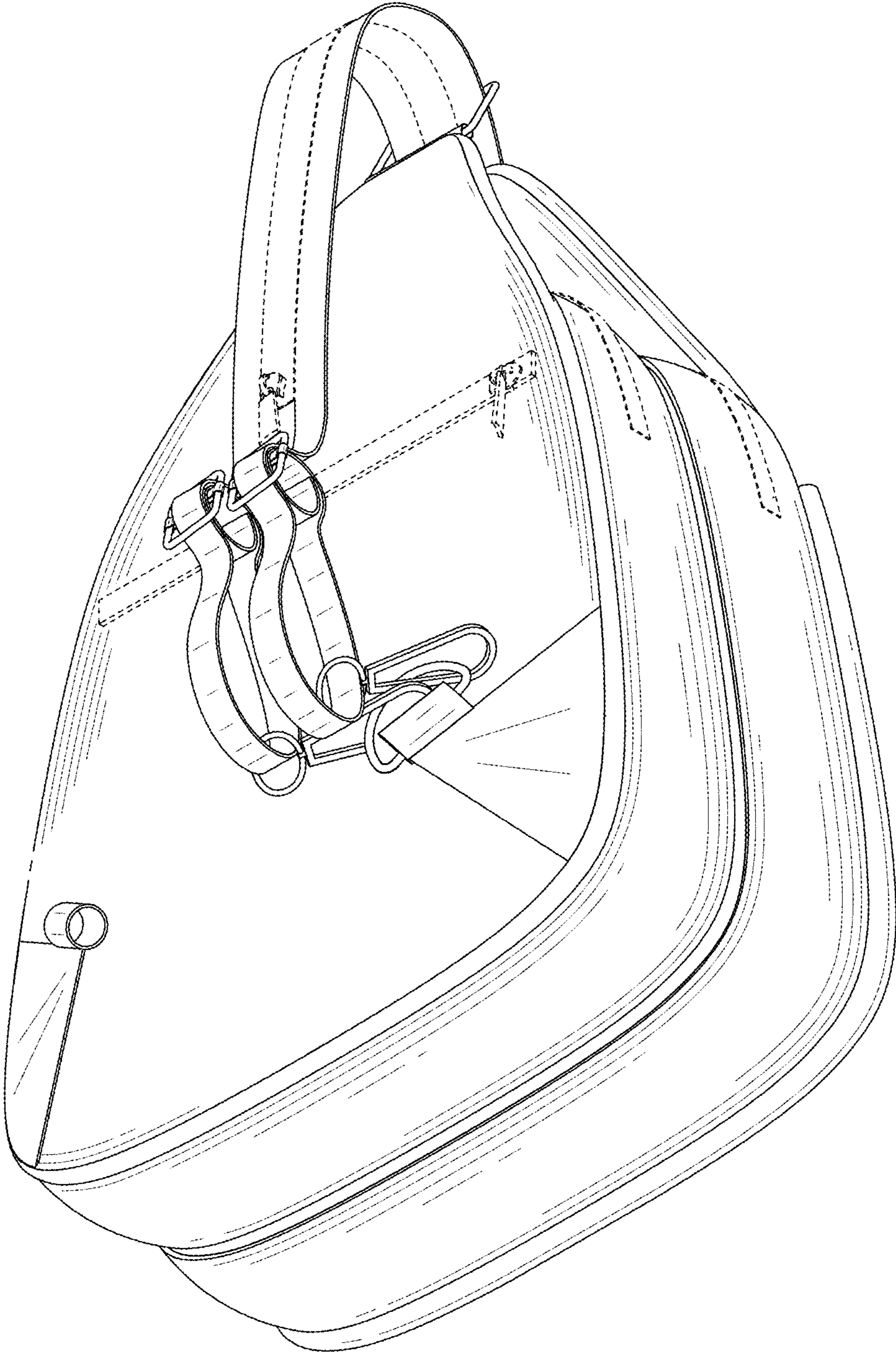


FIG. 9