



US00D939206S

(12) **United States Design Patent** (10) **Patent No.:** **US D939,206 S**
Baires et al. (45) **Date of Patent:** **** Dec. 28, 2021**

(54) **BACKPACK**

FOREIGN PATENT DOCUMENTS

(71) Applicant: **YETI Coolers, LLC**, Austin, TX (US)

CN 300845054 11/2008
CN 201418473 Y 3/2010

(72) Inventors: **Alex Baires**, Austin, TX (US); **Derek G. Sullivan**, Austin, TX (US); **Erik Steven Larson**, Austin, TX (US); **Vivian Lai**, Austin, TX (US); **John Loudenslager**, Austin, TX (US)

(Continued)

(73) Assignee: **YETI Coolers, LLC**, Austin, TX (US)

OTHER PUBLICATIONS

(**) Term: **15 Years**

Tocayo Backpack 26, posted at yeti.com, no posting date, online, URL:https://www.yeti.com/en_US/bags/tocayo-backpack-26/YTB26.html (Year: 2019).*

(21) Appl. No.: **29/646,104**

Primary Examiner — Lilyana Bekic

(22) Filed: **May 1, 2018**

Assistant Examiner — Mary Shannon Malley

(51) **LOC (13) Cl.** **03-01**

(74) *Attorney, Agent, or Firm* — Banner & Witcoff, Ltd.

(52) **U.S. Cl.**

(57) **CLAIM**

USPC **D3/217**

The ornamental design for a backpack, as shown and described.

(58) **Field of Classification Search**

DESCRIPTION

USPC D3/215–217, 273, 289, 290, 318, 321,
D3/322, 323, 243, 244, 246, 232; 383/72

CPC A45F 4/02; A45F 4/08; A45F 2200/05;
A45F 2200/0525; A45F 3/04; A45F 3/042;
A45F 3/047; A45F 3/08; A45F 3/10; A45F 3/14;
A45C 13/08; A45C 13/083; A45C 13/1046; A45C 2003/007;
A45C 3/10

See application file for complete search history.

FIG. 1 is a top, front, right perspective view of a backpack showing our new design;
FIG. 2 is a front view thereof;
FIG. 3 is a rear view thereof;
FIG. 4 is a left side view thereof;
FIG. 5 is a right side view thereof;
FIG. 6 is a top view thereof;
FIG. 7 is a bottom view thereof;
FIG. 8 is a top, front, right perspective view of a backpack showing our new design in an open configuration; and,
FIG. 9 is a top, front, right perspective view of a backpack showing our new design in an open configuration.
The broken lines within the shaded areas represent unclaimed stitching. The remaining broken lines depict portions of the backpack that form no part of the claimed design.

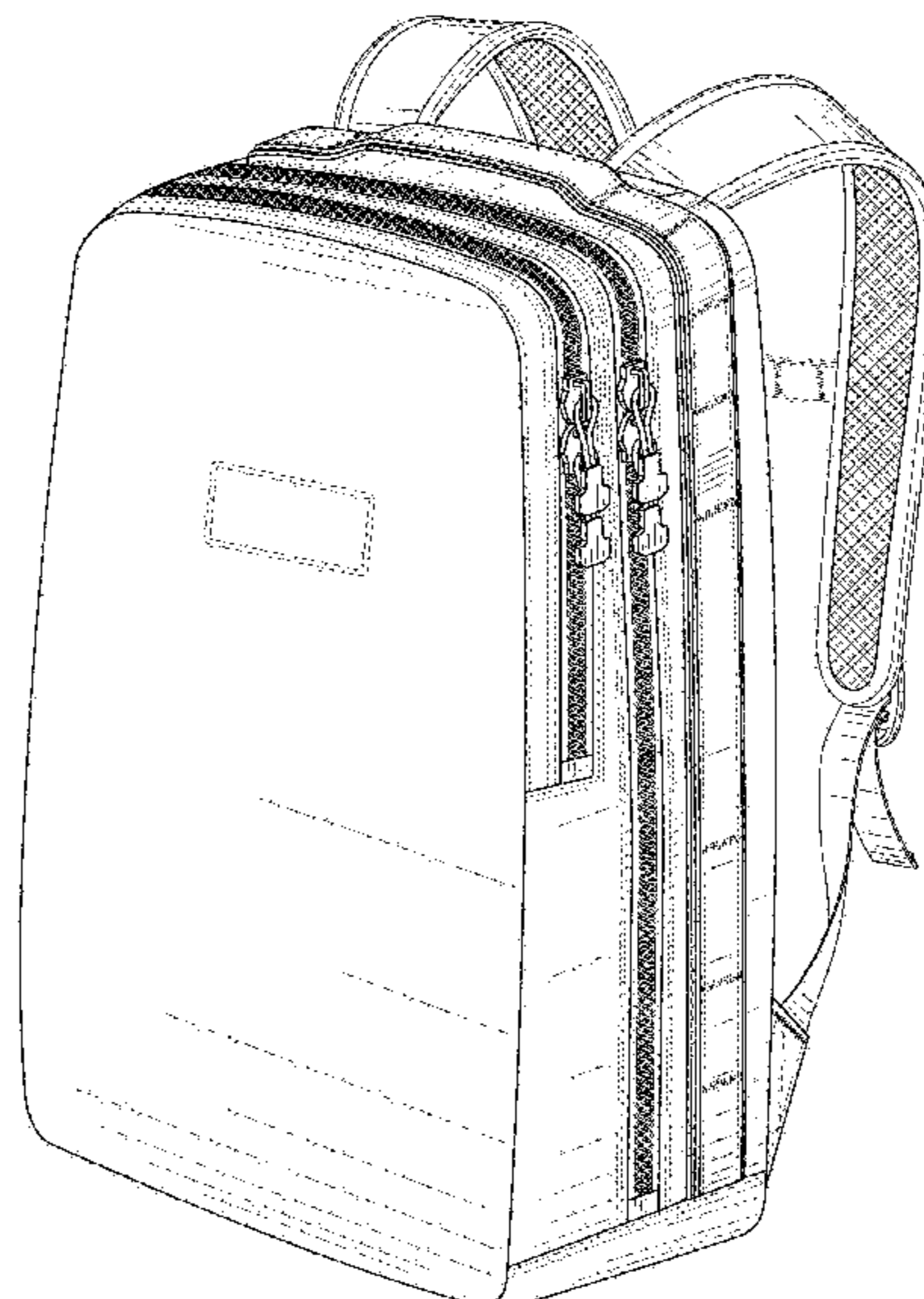
(56) **References Cited**

U.S. PATENT DOCUMENTS

900,535 A	10/1908	Held	
5,407,112 A	4/1995	Christodoulou et al.	
6,053,382 A	4/2000	Wyant	
6,112,959 A	9/2000	Townsend	
6,164,509 A	12/2000	Gausling et al.	
D451,274 S *	12/2001	Kegels	D3/216
6,347,730 B1	2/2002	Frederick	
D479,648 S *	9/2003	De Lathouwer	D3/216

(Continued)

1 Claim, 9 Drawing Sheets



(56)

References Cited

U.S. PATENT DOCUMENTS

D483,940 S * 12/2003 Dolan D3/216
 D511,620 S 11/2005 Van Himbeek
 D591,500 S 5/2009 Siegel et al.
 7,609,512 B2 10/2009 Richardson et al.
 8,263,505 B2 9/2012 Mortimer et al.
 D673,363 S 1/2013 Crandall
 8,453,896 B1 6/2013 Mansell
 8,561,866 B2 10/2013 Gleason, Jr.
 8,567,652 B2 10/2013 Di Stasio et al.
 D699,431 S 2/2014 Hock
 8,651,353 B2 2/2014 Koutouras et al.
 D702,434 S 4/2014 Chalk et al.
 D706,027 S 6/2014 Hock
 D706,534 S 6/2014 Zwetzig
 D713,139 S 9/2014 Ford
 D725,378 S 3/2015 Ford
 D732,287 S * 6/2015 Clark D14/129
 9,113,696 B2 8/2015 Quartarone, III
 9,125,478 B2 9/2015 Li et al.
 D742,631 S 11/2015 Kim
 D745,777 S 12/2015 Zwetzig et al.
 D746,049 S 12/2015 Zwetzig
 D749,316 S 2/2016 Lee
 9,320,341 B2 4/2016 Majeau
 9,351,557 B2 5/2016 Inouye
 D758,715 S 6/2016 Daniel et al.
 D770,761 S 11/2016 Deioma et al.
 D772,562 S 11/2016 Petre
 D773,814 S 12/2016 Barenbrug
 9,629,442 B2 4/2017 Ponx
 D789,682 S 6/2017 Maeng
 9,687,062 B2 6/2017 Scicluna
 D796,187 S * 9/2017 Bogue D3/217
 D798,588 S 10/2017 Heyman
 D799,214 S 10/2017 Chalk
 9,775,425 B2 10/2017 Bruffey
 9,814,298 B2 11/2017 Paduano et al.
 D816,990 S 5/2018 Naito et al.
 D824,660 S * 8/2018 Ross D3/217
 D830,133 S 10/2018 Sullivan et al.
 D834,895 S * 12/2018 Triska D7/607
 D843,107 S * 3/2019 Swaggart D3/217
 2002/0139820 A1 * 10/2002 Godshaw A45F 3/04
 224/153
 2002/0179653 A1 12/2002 Klamm
 2010/0213224 A1 8/2010 Barr
 2012/0262116 A1 * 10/2012 Ferber H02J 7/0044
 320/111
 2013/0020368 A1 1/2013 Busam et al.
 2013/0069380 A1 3/2013 Miller et al.
 2014/0061273 A1 3/2014 Bullivant et al.
 2015/0335081 A1 11/2015 Mangini
 2016/0007719 A1 1/2016 Harstvedt
 2016/0128438 A1 5/2016 Grey
 2016/0316876 A1 11/2016 Su
 2018/0162626 A1 6/2018 Munie et al.
 2019/0071238 A1 * 3/2019 Seiders A45C 11/20
 2019/0133281 A1 * 5/2019 Munie A45C 7/00
 2019/0174903 A1 * 6/2019 Holder A45F 4/02

FOREIGN PATENT DOCUMENTS

CN 301296829 8/2010
 CN 301494750 3/2011
 CN 301656862 8/2011
 CN 302684357 12/2013
 CN 302684362 12/2013
 CN 302698908 1/2014
 CN 302698909 1/2014
 CN 302712230 1/2014
 CN 302712240 1/2014
 CN 302723000 1/2014
 CN 302898073 8/2014
 CN 303154596 4/2015

CN 303235632 6/2015
 CN 204675120 U 9/2015
 CN 303624784 3/2016
 CN 303630947 4/2016
 CN 303643692 4/2016
 CN 303643716 4/2016
 CN 205321513 U 6/2016
 CN 205321515 U 6/2016
 CN 205321517 U 6/2016
 CN 303706028 6/2016
 CN 303714315 6/2016
 CN 303732718 7/2016
 CN 303783512 8/2016
 CN 303783543 8/2016
 CN 303783546 8/2016
 CN 303783547 8/2016
 CN 303783549 8/2016
 CN 303810330 8/2016
 CN 303830818 9/2016
 CN 303830822 9/2016
 CN 303830825 9/2016
 CN 303881312 10/2016
 CN 303881340 10/2016
 CN 303898041 10/2016
 CN 303904154 11/2016
 CN 303918619 11/2016
 CN 303941347 11/2016
 CN 303982523 12/2016
 CN 303991734 1/2017
 CN 304000436 1/2017
 CN 304021950 2/2017
 CN 304021958 2/2017
 CN 304022031 2/2017
 CN 304036568 2/2017
 CN 304036687 2/2017
 CN 304210768 7/2017
 CN 304213485 7/2017
 CN 304230200 8/2017
 CN 304230259 8/2017
 CN 304243187 8/2017
 CN 304243270 8/2017
 CN 304247366 8/2017
 CN 304247379 8/2017
 CN 304251434 8/2017
 CN 304259141 8/2017
 CN 304259155 8/2017
 CN 304263206 9/2017
 CN 304281934 9/2017
 CN 304295371 9/2017
 CN 206586568 U 10/2017
 CN 304303416 10/2017
 CN 304316699 10/2017
 CN 304319205 10/2017
 CN 304324599 10/2017
 CN 304335079 10/2017
 EM 000263967-0006 3/2005
 EM 000962949-0001 11/2008
 EM 000911607-0002 6/2010
 EM 002438788-0001 4/2014
 EM 002438788-0002 4/2014
 EM 002884650-0004 2/2016
 EM 003064997-0015 4/2016
 EM 003306232-0016 8/2016
 EM 003376003-0001 9/2016
 EM 003471994-0003 11/2016
 EM 003481522-0001 11/2016
 EM 004071496-0001 6/2017
 EM 004398295-0010 10/2017
 EM 004506780-0001 11/2017
 EP 1395140 A1 3/2004
 EP 2462834 A1 6/2012
 WO 08006358 A2 1/2008

OTHER PUBLICATIONS

Tineye reverse image search on "Tocayo Backpack 26", first found Nov. 15, 2018, online, URL: <https://tineye.com/search/5b2186726ab879352e515f8f7ab5f5a57f57178a?page=1> (Year: 2018).*

(56)

References Cited

OTHER PUBLICATIONS

Black Diamond, "Packs"; retrieved Dec. 11, 2018; URL: <http://www.blackdiamondequipment.com/en_US/search?cgid=packs>.

Black Diamond, "Mission 75 Pack"; retrieved Dec. 11, 2018; URL: <https://www.blackdiamondequipment.com/en_US/climbing-packs/mission-75-pack-BD681185_cfg.html#cgid=packs&start=26>.

Uncharted Supply Co., "The Seventy2 Survival System"; retrieved Dec. 11, 2018; URL: <<https://unchartedsupplyco.com/products/the-seventy2>>.

Range Made, "The Best Tactical Backpack (Updated Nov. 2017)"; retrieved Dec. 11, 2018; URL: <<https://rangermade.net/best-tactical-backpack>>.

Goruck, "Goruck GR1"; retrieved Dec. 11, 2018; URL: <<https://www.goruck.com/gr1/>>.

Surfdome, "The North Face Medium Camp Duffel 69L"; retrieved Dec. 11, 2018; URL: <https://www.surfdome.com/the_north_face_bags_-_the_north_face_medium_base_camp_duffel_-_fiery_red/tnf_black-240517>.

Hockey Monkey, "Bauer Pro15 Medium 28in, Carry Hockey Equipment Bag/Backpack"; retrieved Dec. 11, 2018; URL: <<https://www.hockeymonkey.com/bauer-hockey-equipment-bag-pro-15-med.html>>.

* cited by examiner

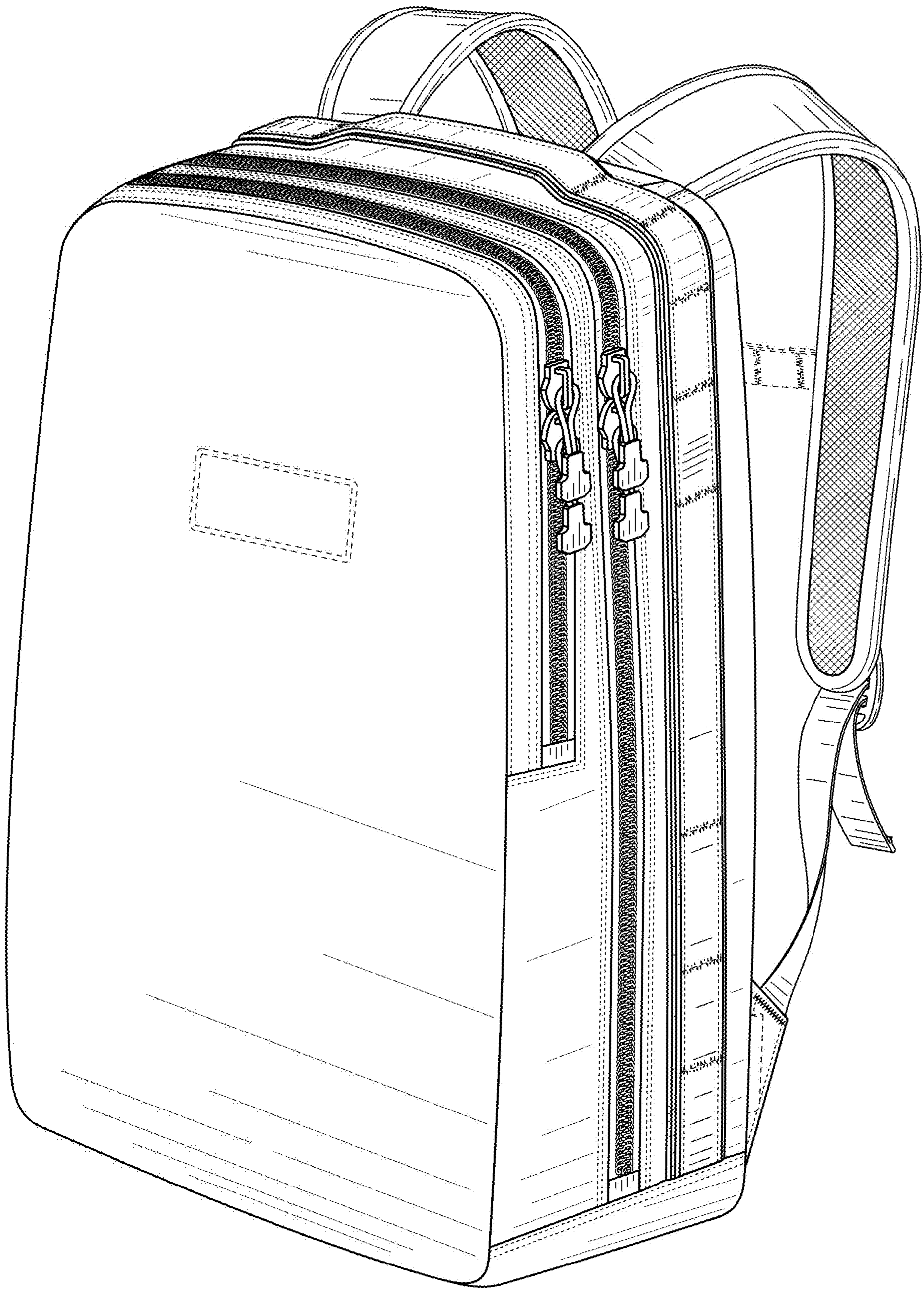


FIG. 1

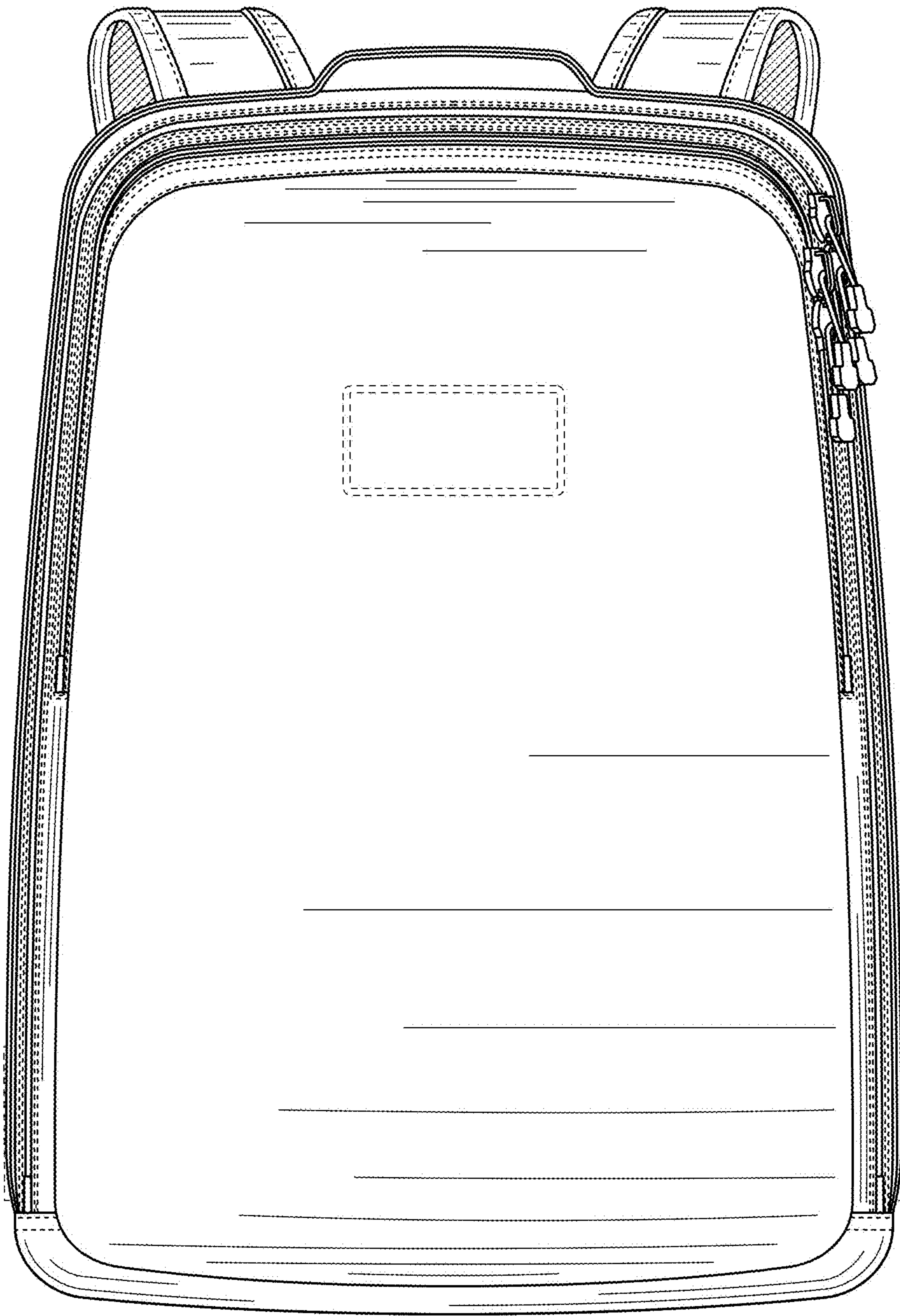


FIG. 2

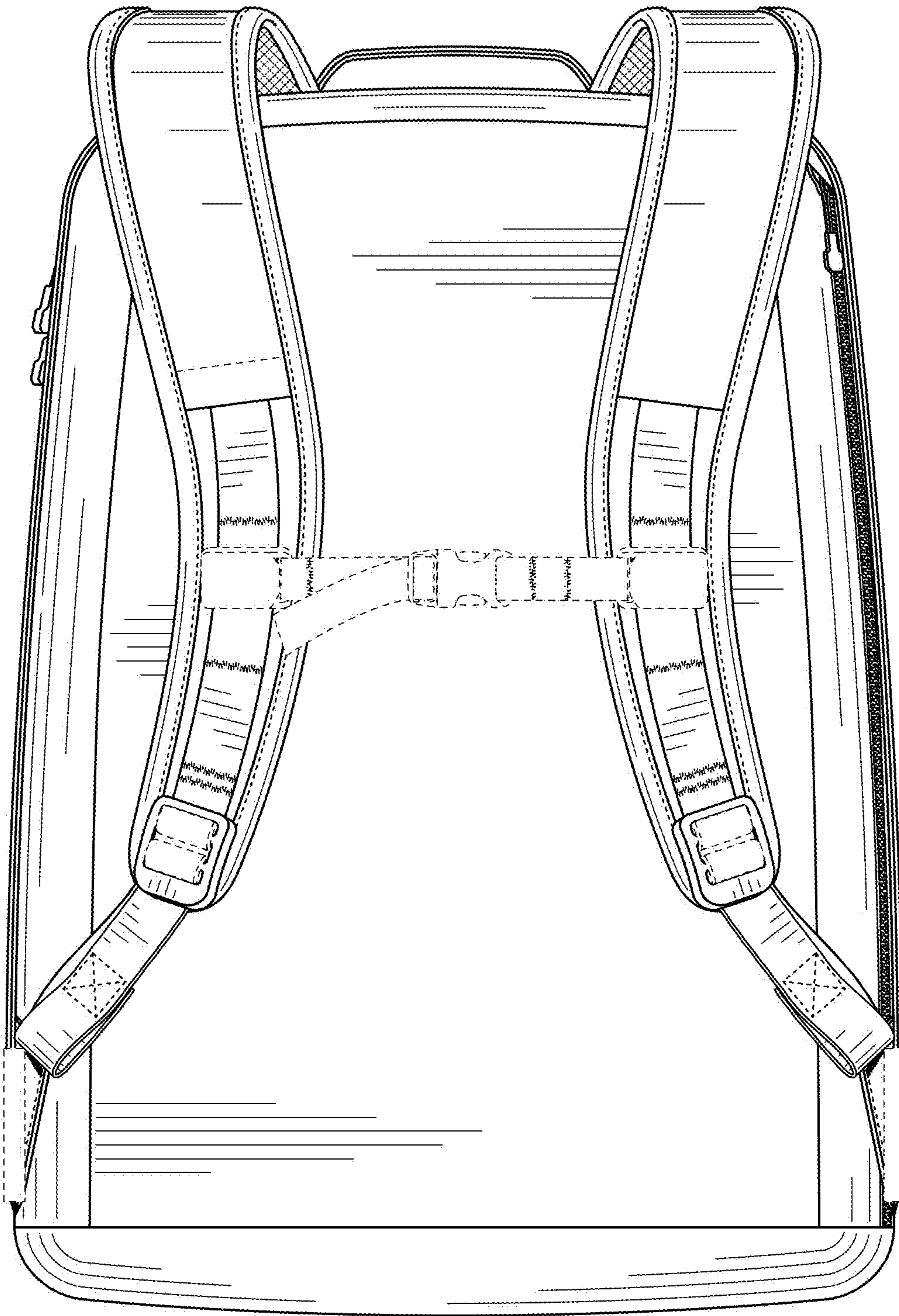


FIG. 3

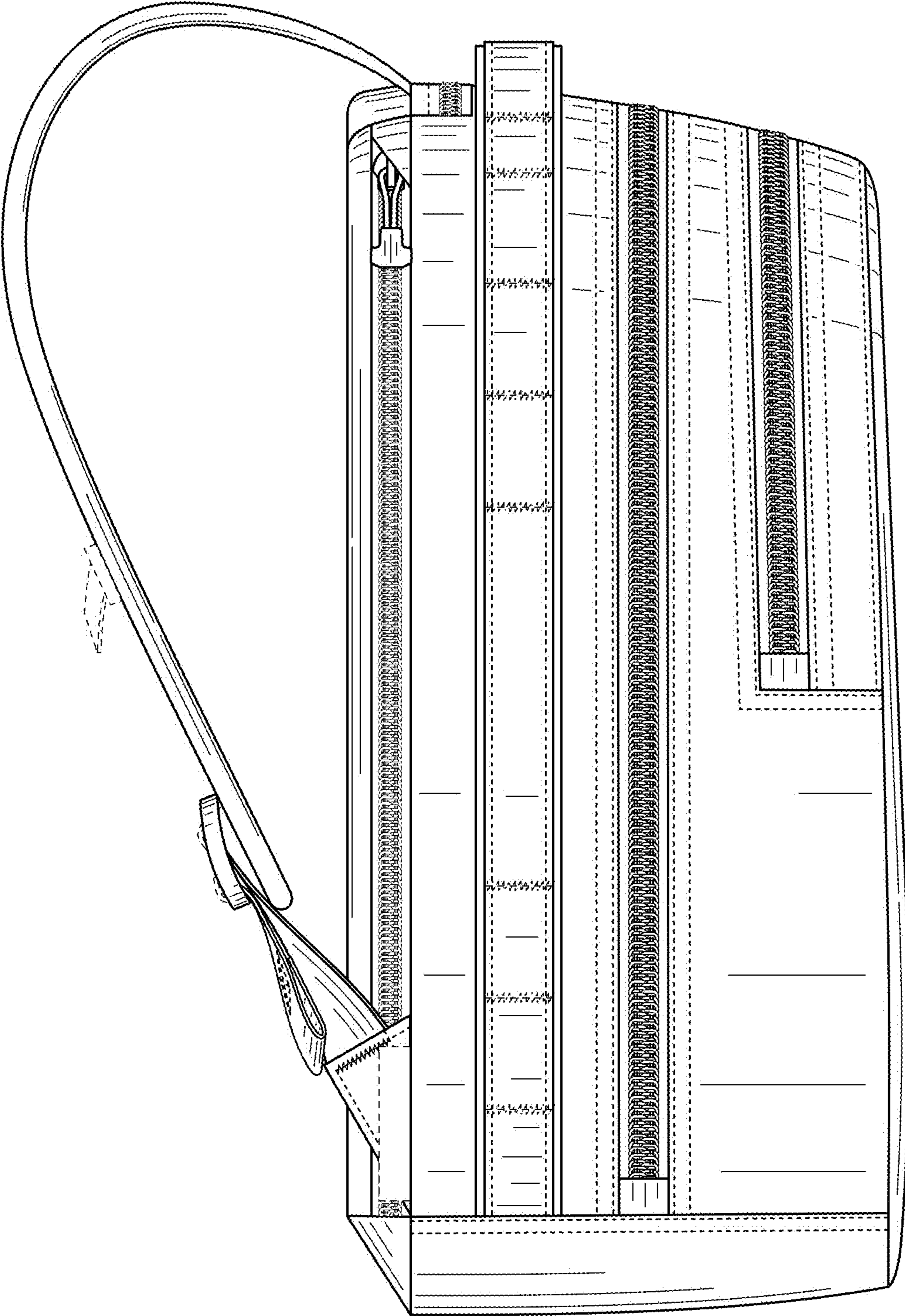


FIG. 4

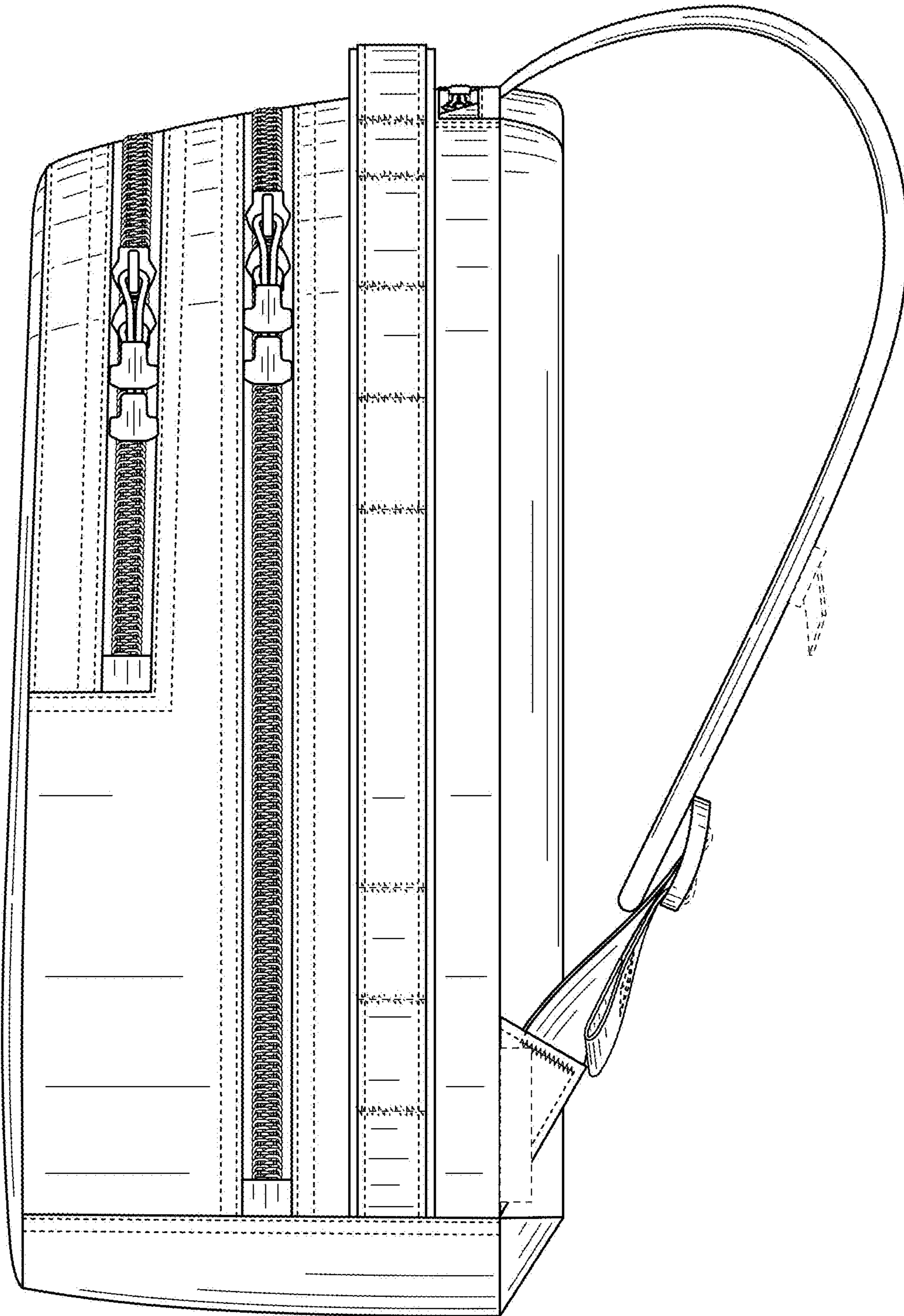


FIG. 5

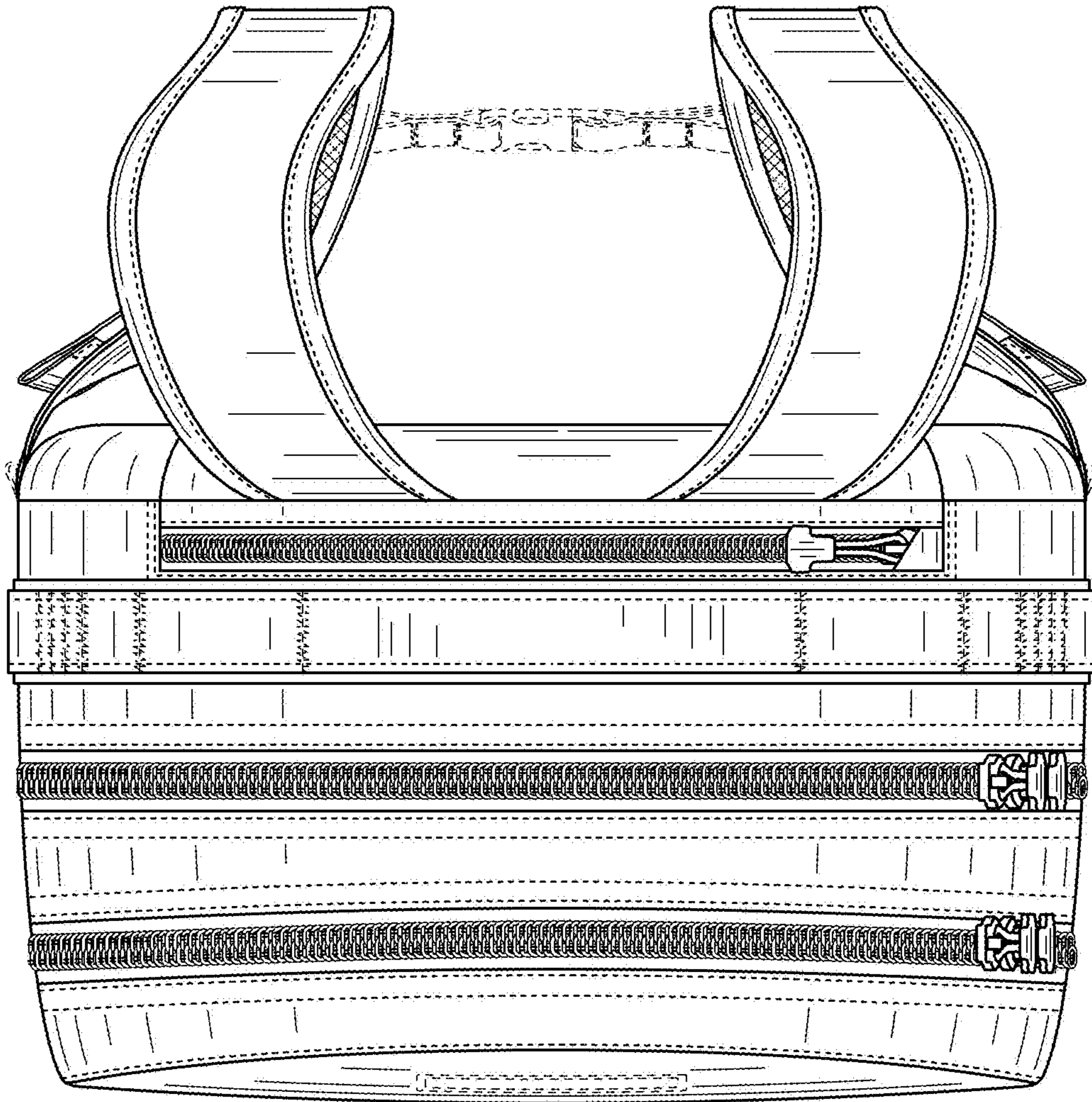


FIG. 6

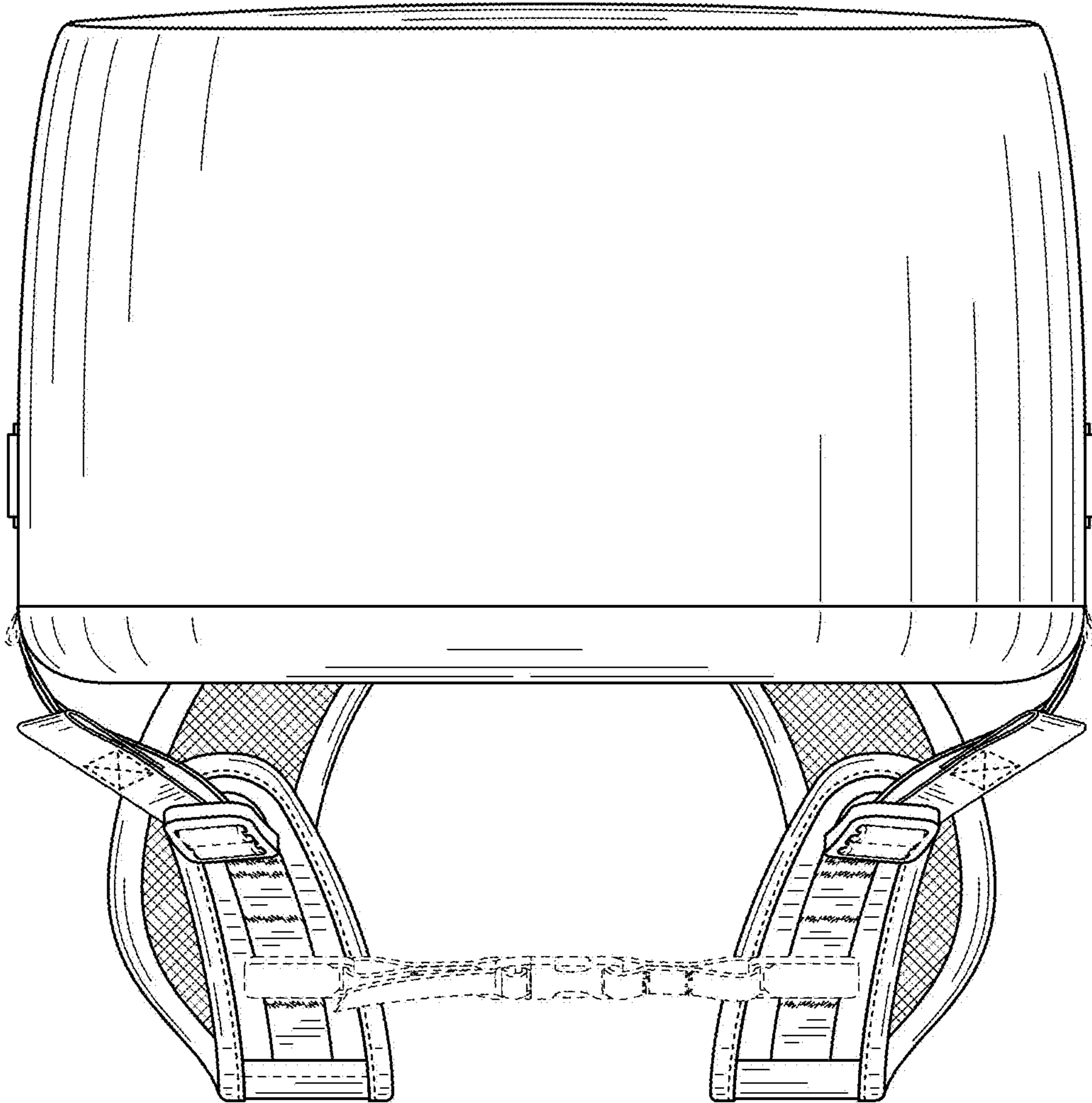


FIG. 7

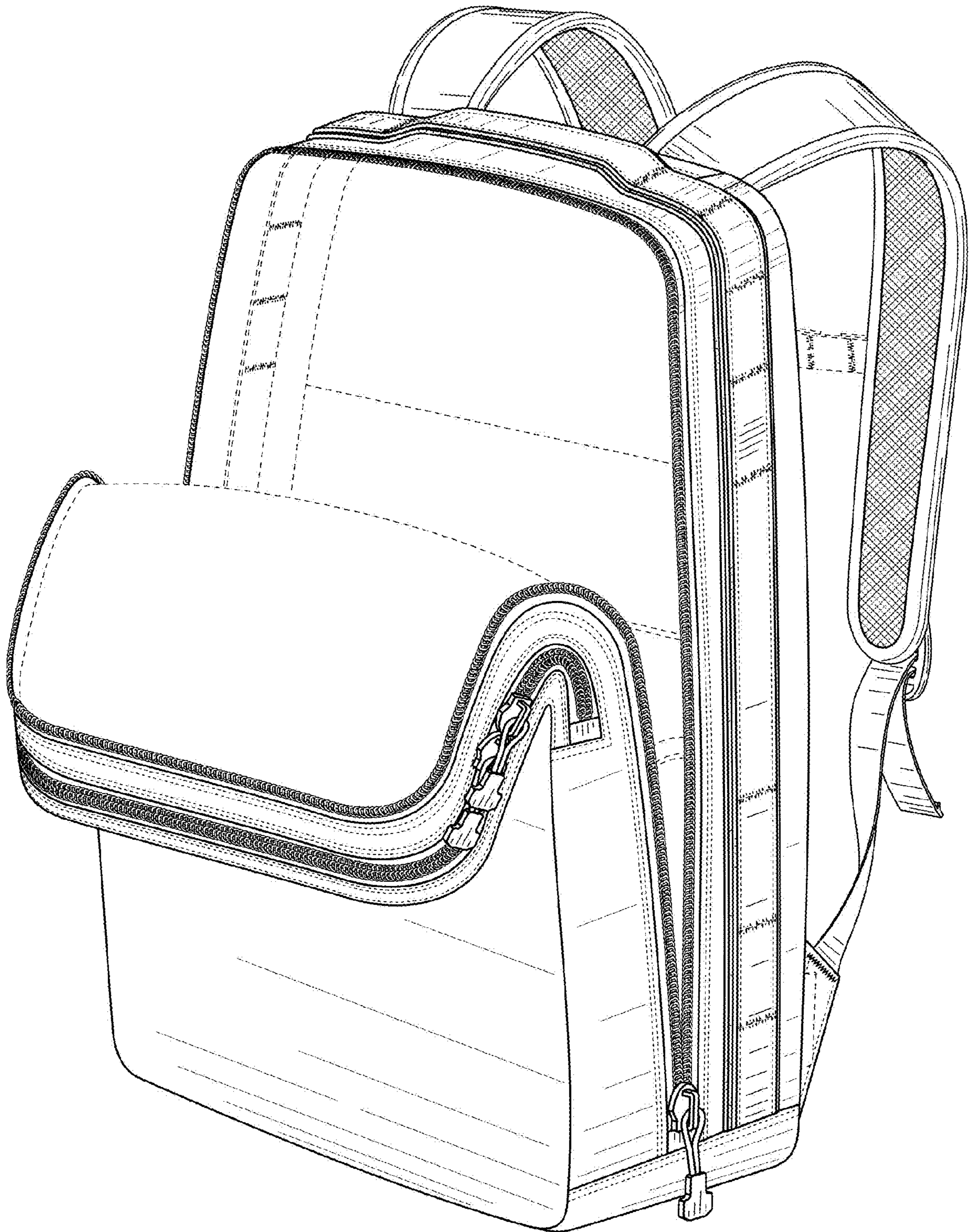


FIG. 8



FIG. 9