



US00D939204S

(12) **United States Design Patent** (10) **Patent No.:** **US D939,204 S**
Shin et al. (45) **Date of Patent:** **** Dec. 28, 2021**

(54) **CASE FOR HAIR DRYER**

- (71) Applicant: **LG ELECTRONICS INC.**, Seoul (KR)
- (72) Inventors: **Daekee Shin**, Seoul (KR); **Sunjung Park**, Seoul (KR); **Hophil Lee**, Seoul (KR)
- (73) Assignee: **LG ELECTRONICS INC.**, Seoul (KR)
- (**) Term: **15 Years**
- (21) Appl. No.: **29/710,618**
- (22) Filed: **Oct. 24, 2019**

(30) **Foreign Application Priority Data**

Apr. 25, 2019 (WO) WIPO82953

(51) **LOC (13) Cl.** **03-01**

(52) **U.S. Cl.**
USPC **D3/205; D28/73**

(58) **Field of Classification Search**
USPC ... D3/203.1-203.8, 205-206, 215, 219, 226, D3/247, 250-252, 263-266, 273, D3/293-294, 298-299, 301, 303, 315, D3/901; D6/515, 517, 534, 536; D7/600.1, 600.4, 637; D9/734, 759-760; D19/101-103, 106, 194-195; D27/172,
(Continued)

(56) **References Cited**

U.S. PATENT DOCUMENTS

- 3,386,184 A * 6/1968 Ponczek A45D 20/10 34/99
 - D397,293 S * 8/1998 Shimizu D3/294
- (Continued)

FOREIGN PATENT DOCUMENTS

CN 304936481 * 12/2018

OTHER PUBLICATIONS

Portable Storage Case Organizer for Dyson Supersonic Hair Dryer, first available Jul. 28, 2018 based on customer photo review, amazon.com [online], [site visited Apr. 27, 2021], Available at internet URL: <https://www.amazon.com/Organizer-Supersonic-Sensico-Anti-scratch-Moistureproof/dp/B07F6CC3P1?th=1> (Year: 2018).*

(Continued)

Primary Examiner — Jeffrey D Asch

Assistant Examiner — Caitlin A Laverty

(74) *Attorney, Agent, or Firm* — Birch, Stewart, Kolasch & Birch, LLP

(57) **CLAIM**

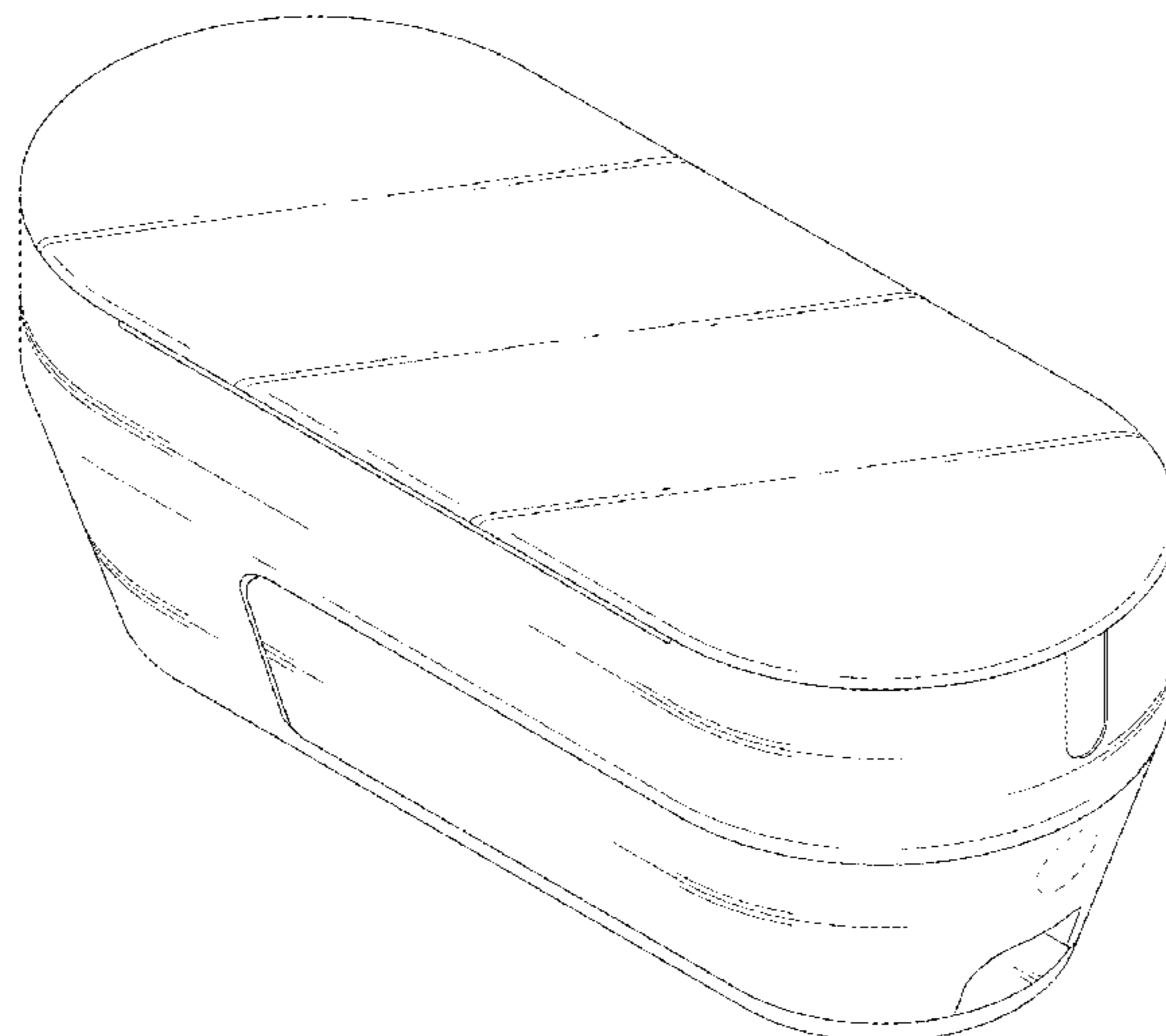
The ornamental design for a case for hair dryer, as shown and described.

DESCRIPTION

FIG. 1 is a front perspective view of the case for hair dryer showing our new design;
FIG. 2 is a back perspective view thereof;
FIG. 3 is a front view thereof;
FIG. 4 is a back view thereof;
FIG. 5 is a left view thereof;
FIG. 6 is a right view thereof;
FIG. 7 is a top view thereof;
FIG. 8 is a bottom view thereof;
FIG. 9 is a perspective view showing the condition of putting a hair dryer into the claimed design thereof; and,
FIG. 10 is a perspective view showing the condition of closing the cover of the claimed design when a hair dryer has been inserted.

The broken lines depict portions of the case for hair dryer and environmental matter that form no part of the claimed design.

1 Claim, 10 Drawing Sheets



(58) **Field of Classification Search**

USPC D27/180, 183, 186, 189–191; D28/73,
 D28/76, 85–86, 91, 103, 108
 CPC .. A24F 9/16; A24F 13/14; A24F 15/00; A24F
 15/12; A24F 15/14; A24F 15/18; A24F
 15/20; A24F 23/00; A24F 23/04; A24F
 47/002; A24F 47/008; A45C 3/00; A45C
 5/00; A45C 5/005; A45C 5/04; A45C
 7/00; A45C 9/00; A45C 11/00; A45C
 11/008; A45C 11/04; A45C 11/16; A45C
 11/24; A45C 11/26; A45C 11/34; A45C
 11/36; A45C 13/002; A45C 2011/007;
 A45D 33/12; A45D 33/14; A45D 33/22;
 A45D 33/24; A45D 33/26; A45D 33/28;
 A45D 34/00; A45D 34/04; A45D 34/041;
 A45D 34/06; A45D 40/00; A45D 40/18;
 A45D 40/26; A45D 40/261; A45D
 40/262; A45D 44/11; A45D 44/18; A47F
 7/02; A47F 7/021; A61J 1/00; A61J 1/03;
 A61J 7/04; A61J 7/0084; B65D 1/36;
 B65D 43/16; B65D 50/04; B65D 83/04;
 B65D 83/0445; B65D 83/0481; B65D
 85/00; B65D 85/02; B65D 85/10
 See application file for complete search history.

(56) **References Cited**

U.S. PATENT DOCUMENTS

D650,986 S * 12/2011 Brady D3/203.1
 D665,571 S * 8/2012 Tello B42D 25/22
 D3/203.2

D838,411 S * 1/2019 Floyd D28/73
 D846,264 S * 4/2019 Wu D3/201
 D869,163 S * 12/2019 Maguire D3/301
 D870,265 S * 12/2019 Bjelovuk D24/108
 D873,217 S * 1/2020 Zhang D13/108
 D896,175 S * 9/2020 Staffl D13/108
 2017/0157962 A1* 6/2017 Rabe B41J 3/36

OTHER PUBLICATIONS

Hermitshell Travel Case for Revlon One-Step Hair Dryer and
 Volumizer, first available Jun. 28, 2020 based on customer photo
 review, amazon.com [online], [site visited Apr. 27, 2021], Available
 at internet URL: <https://www.amazon.com/Hermitshell-Travel-Revlon-One-Step-Volumizer/dp/B0882PHXJN?th=1> (Year: 2020).*

Aenllosi Hard Travel Storage Case, first available May 23, 2020
 based on customer photo review, amazon.com [online], [site visited
 Apr. 27, 2021], Available at internet URL: <https://www.amazon.com/Aenllosi-Travel-Storage-Compatible-Supersonic/dp/B07K1NWRNQ?th=1> (Year: 2020).*

* cited by examiner

FIG. 1

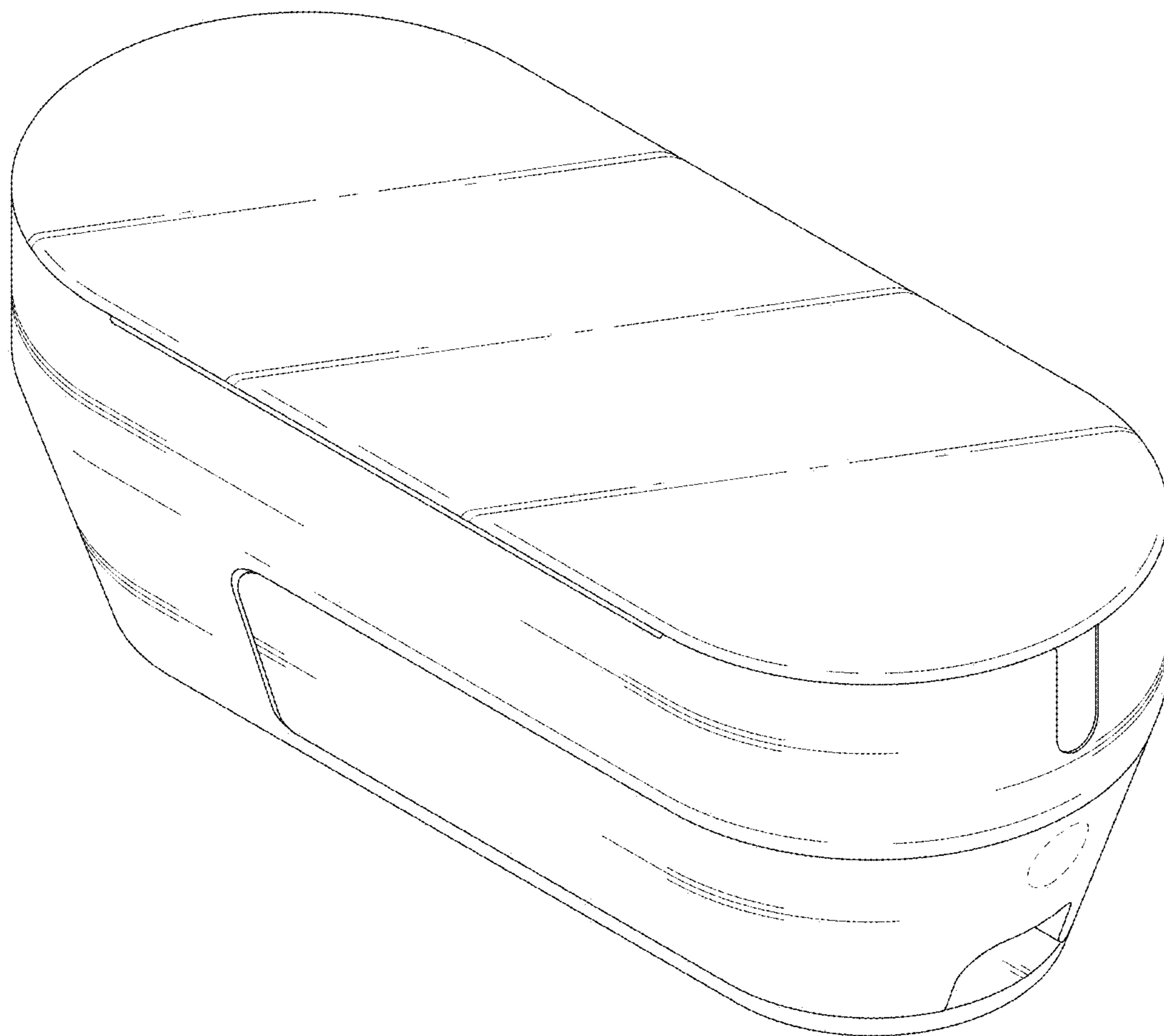


FIG. 2

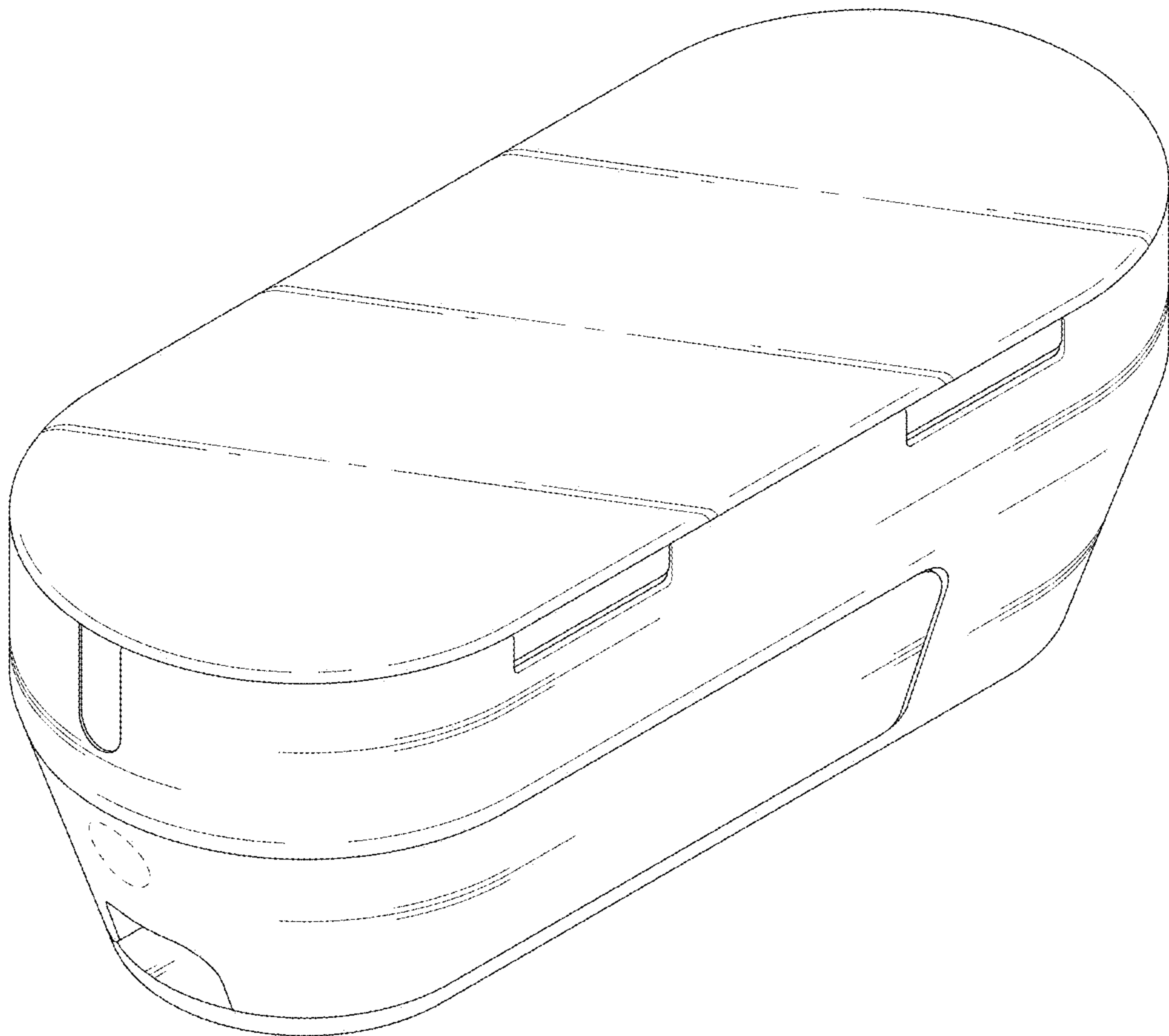


FIG. 3

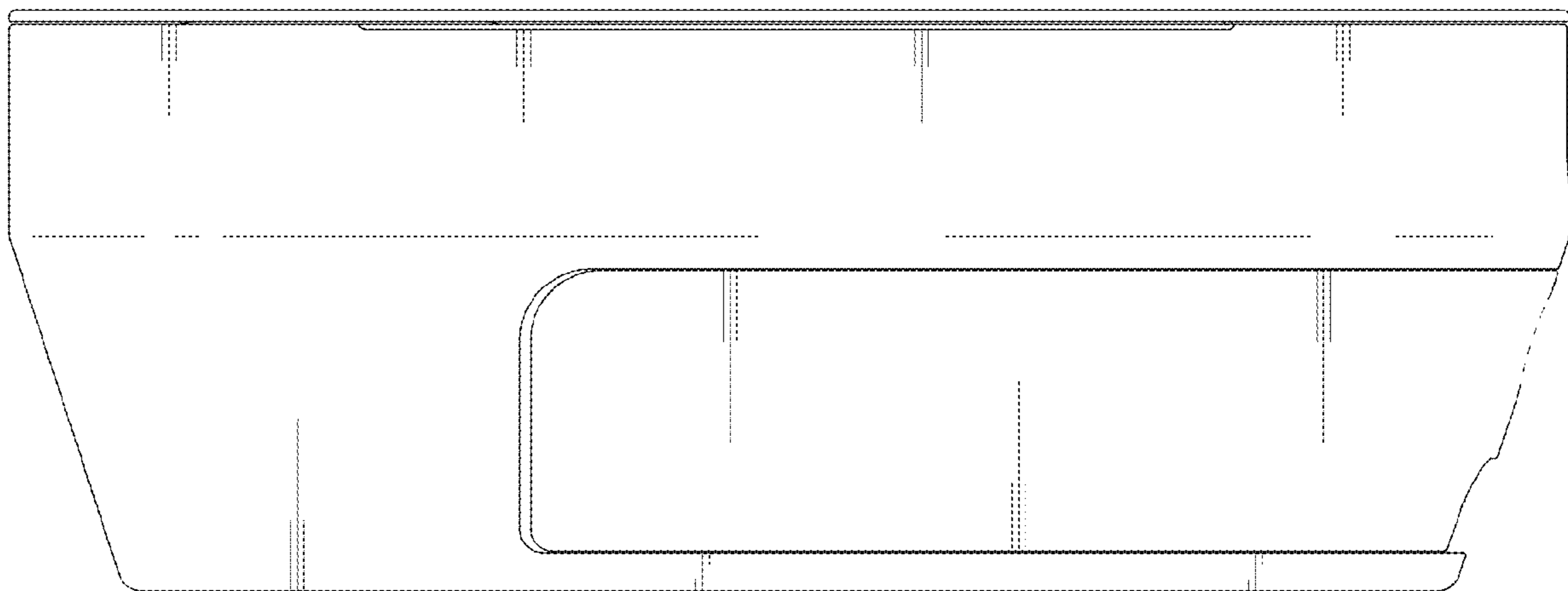


FIG. 4

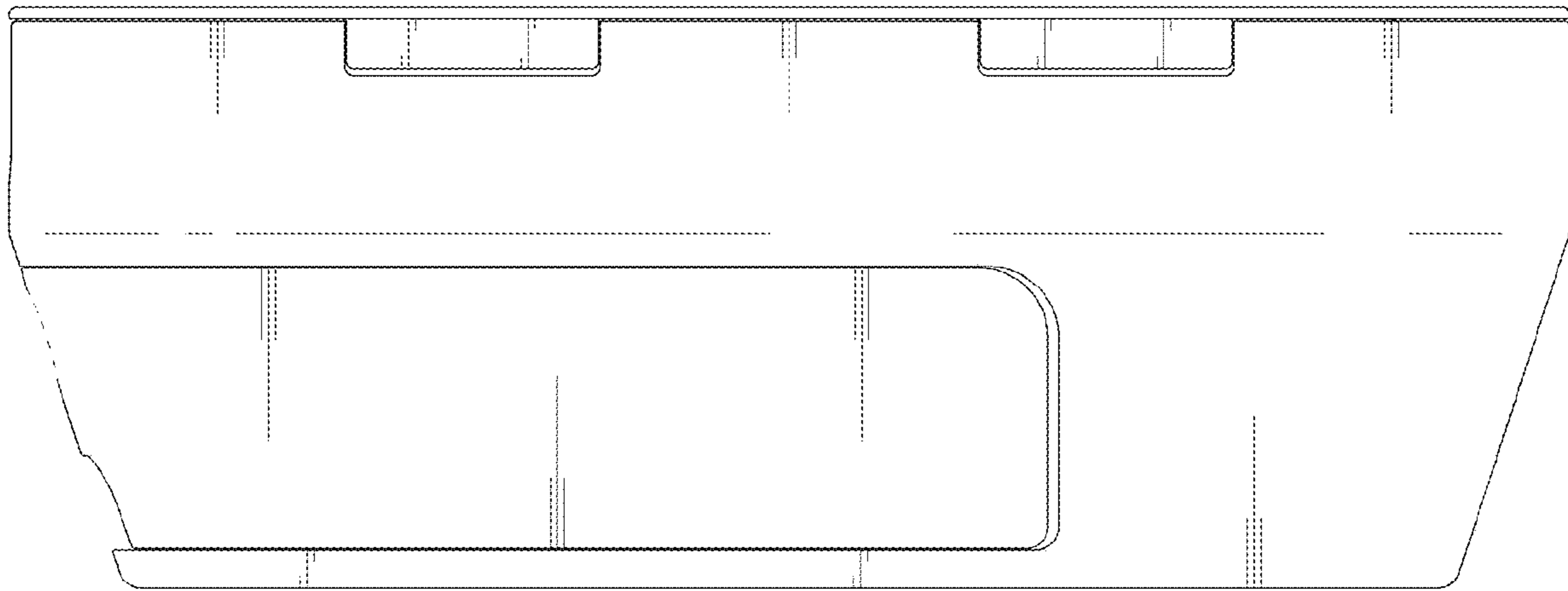


FIG. 5

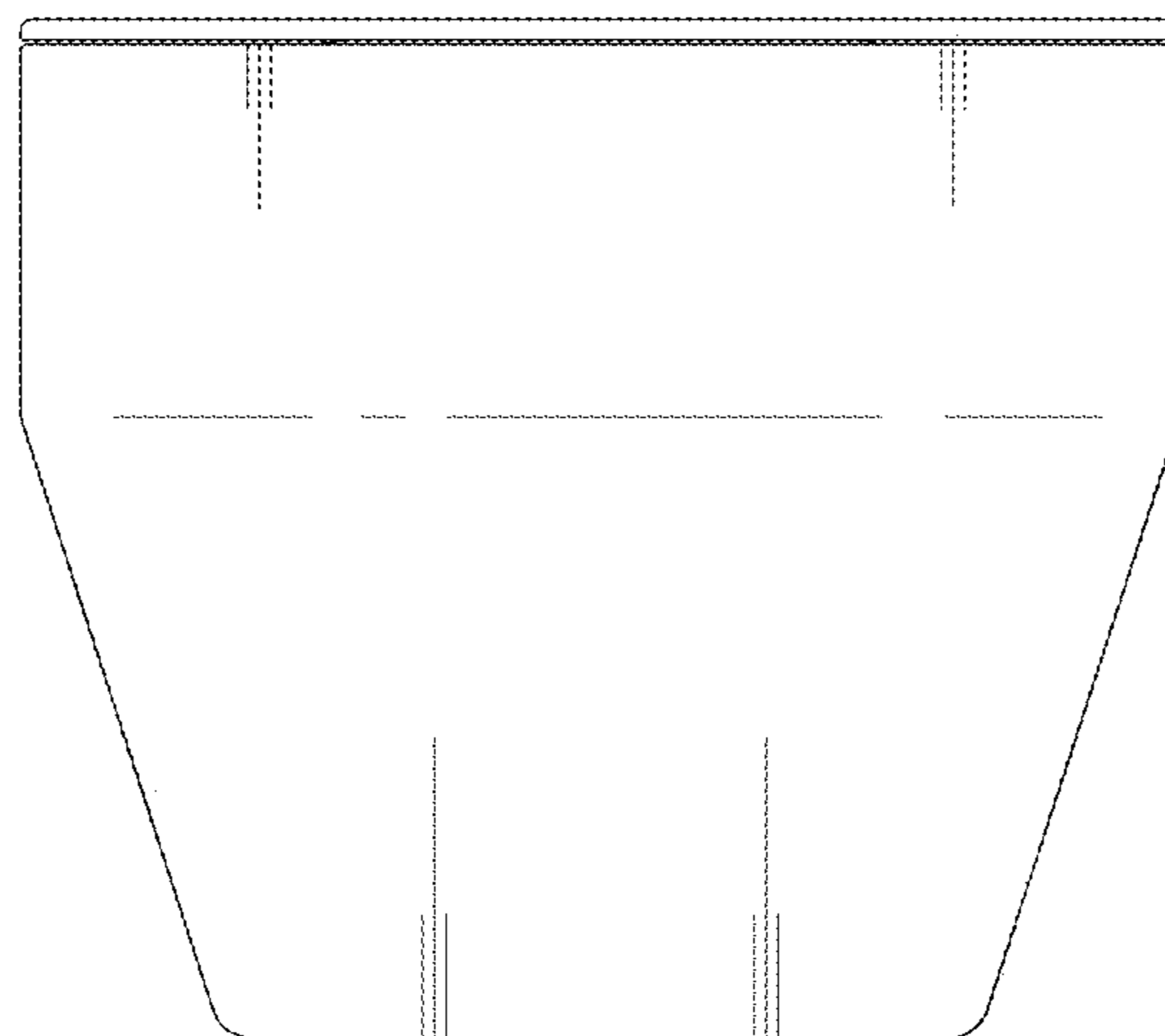


FIG. 6

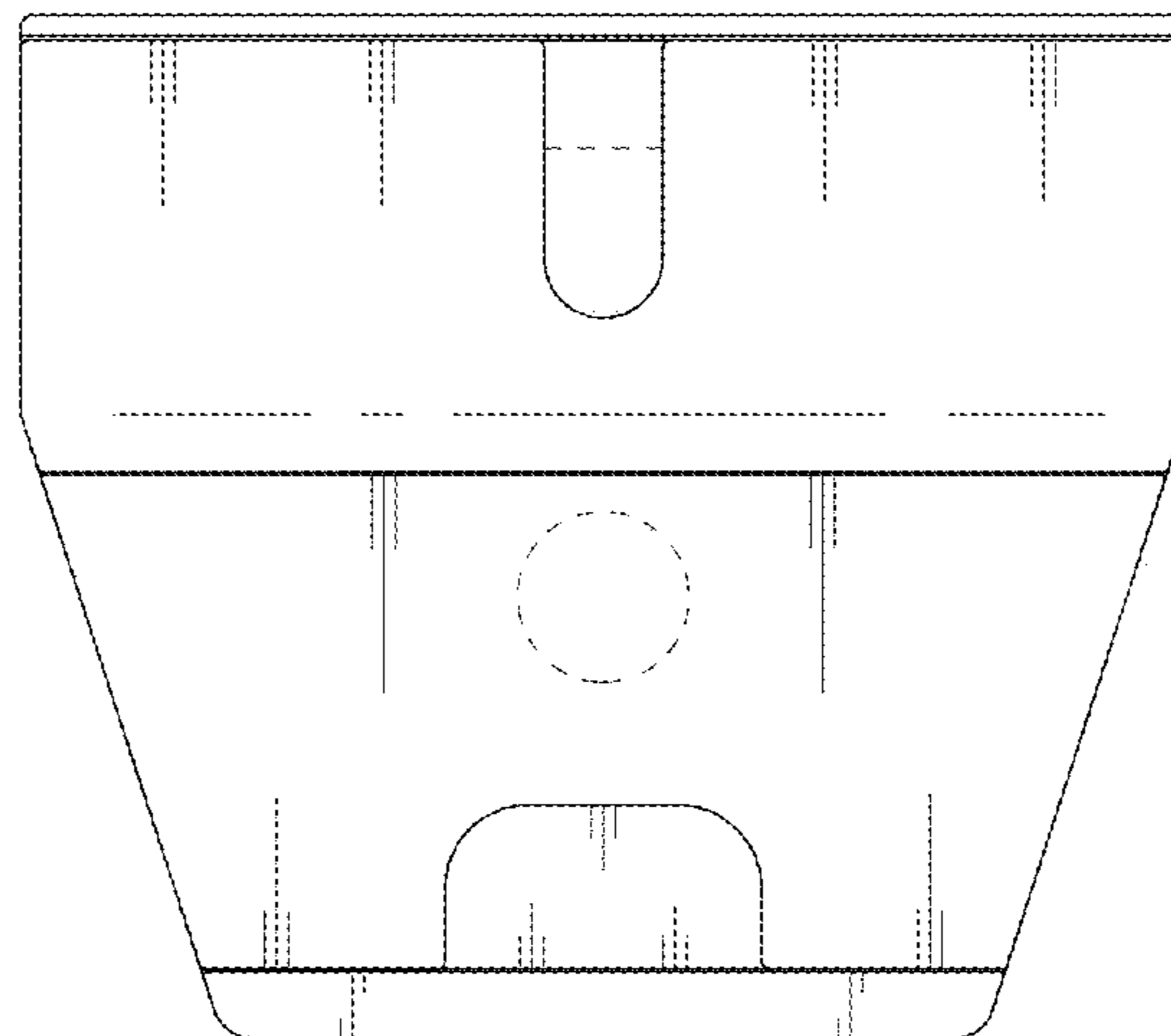


FIG. 7

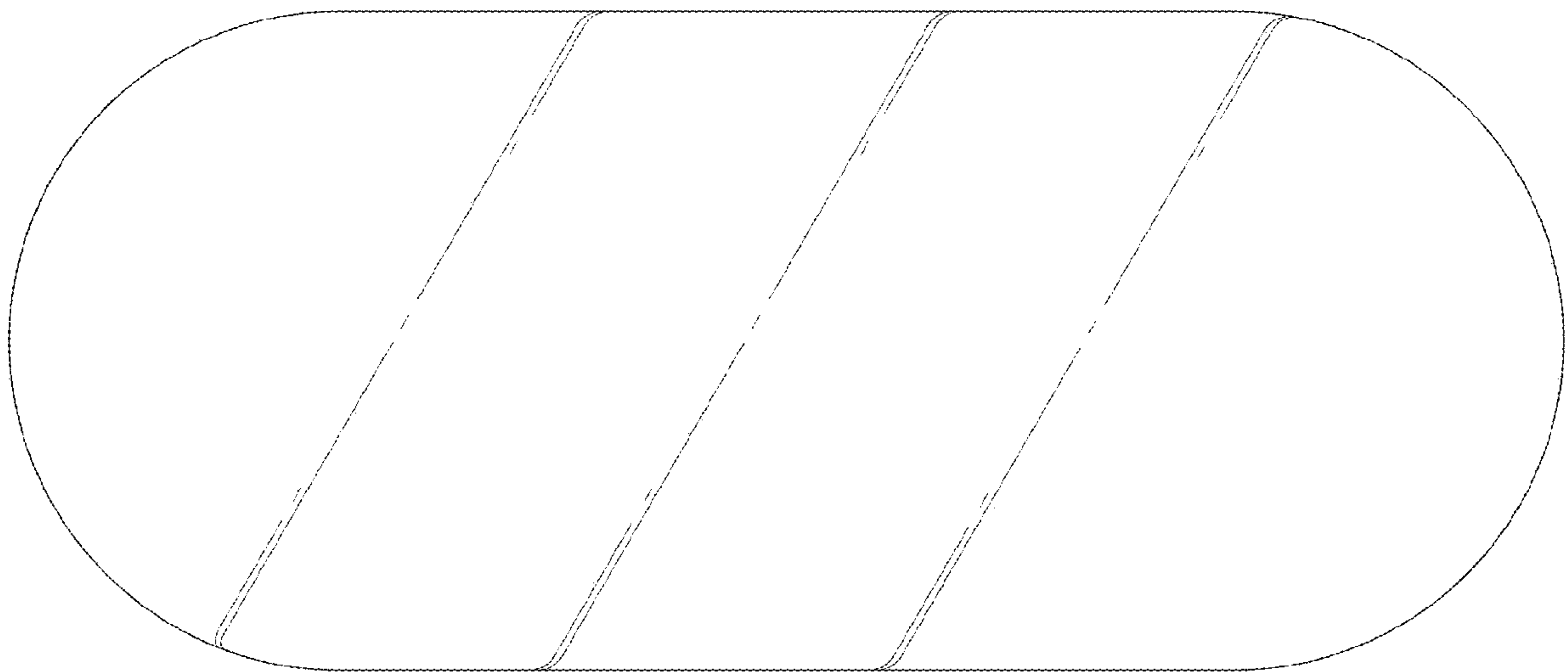


FIG. 8

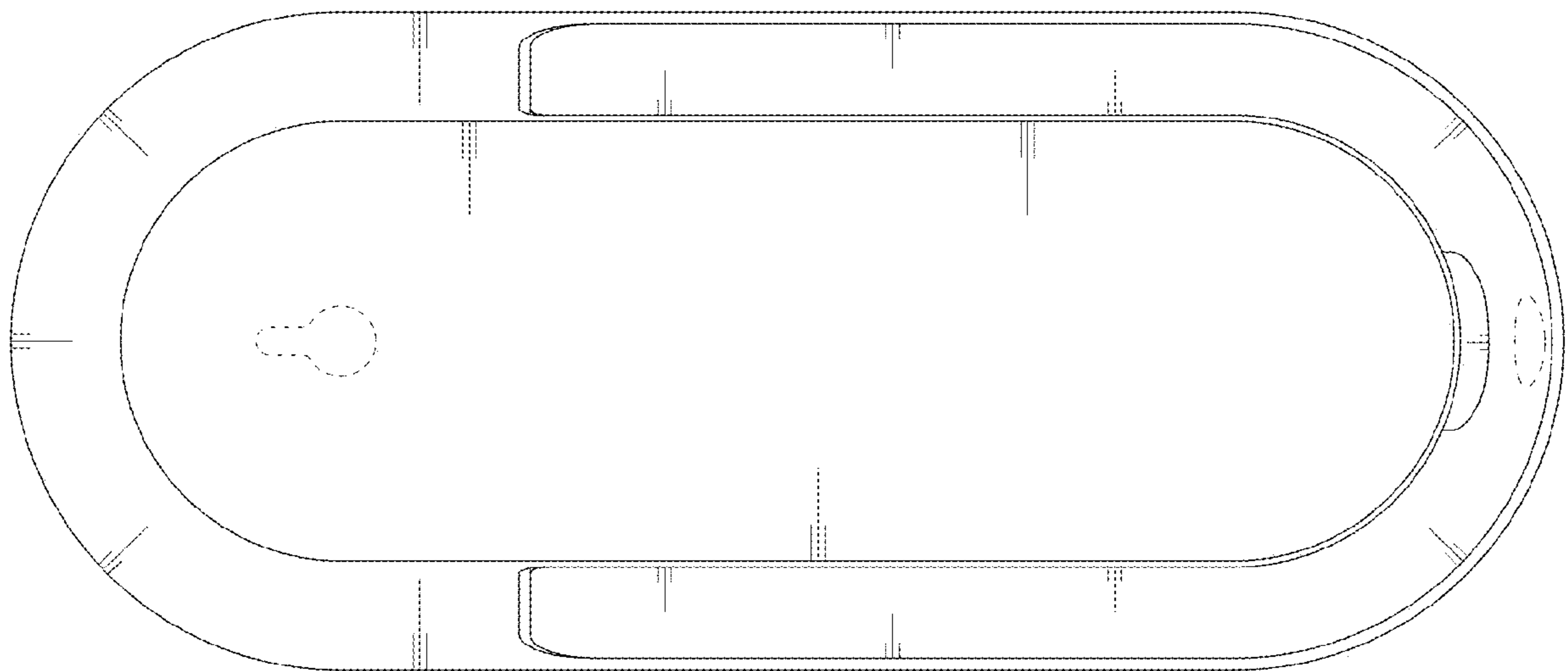


FIG. 9

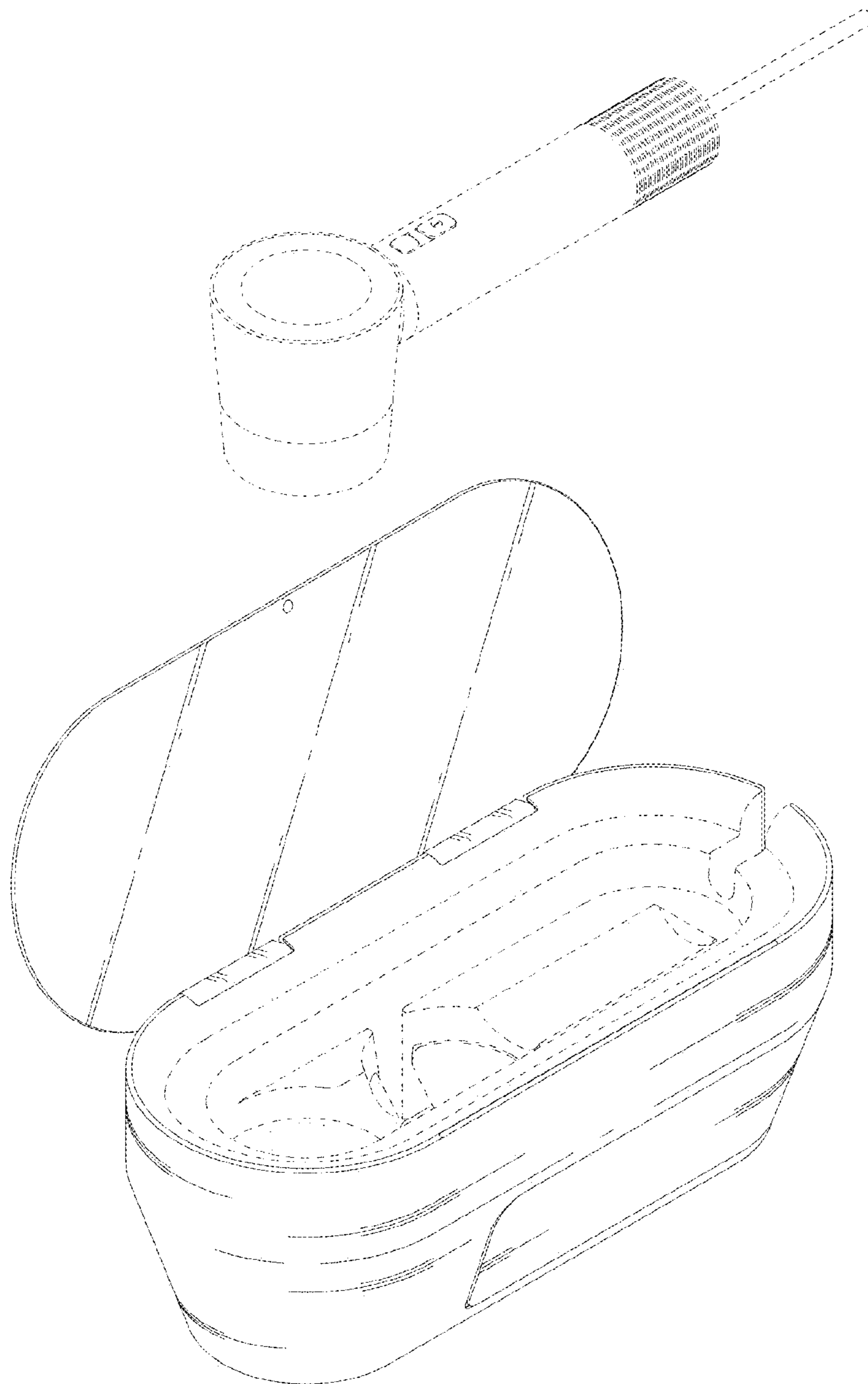


FIG. 10

