



US00D939203S

(12) **United States Design Patent** (10) **Patent No.:** **US D939,203 S**
Lee (45) **Date of Patent:** **** Dec. 28, 2021**

(54) **PILL BOX**
(71) Applicant: **E-LINK PLASTIC & METAL INDUSTRIAL CO., LTD.**, New Taipei (TW)
(72) Inventor: **Cheng-Hua Lee**, New Taipei (TW)
(73) Assignee: **E-LINK PLASTIC & METAL INDUSTRIAL CO., LTD.**, New Taipei (TW)

D457,819 S * 5/2002 Noble D10/40
D466,801 S * 12/2002 Holland D3/203.3
6,945,401 B2 * 9/2005 Jopling A45C 11/00
206/37
D522,742 S * 6/2006 Priebe D3/203.3
D524,537 S * 7/2006 Priebe D3/203.3
D525,777 S * 8/2006 Priebe D3/203.3
D528,782 S * 9/2006 Oas D3/203.3
D545,563 S * 7/2007 Margiotta D3/203.3

(Continued)

(**) Term: **15 Years**
(21) Appl. No.: **29/711,889**
(22) Filed: **Nov. 4, 2019**
(51) **LOC (13) Cl.** **03-01**
(52) **U.S. Cl.**
USPC **D3/203.2**
(58) **Field of Classification Search**
USPC D3/201, 203.1, 203.2, 203.3, 203.4, 273,
D3/294, 295; D9/420, 421, 756, 757,
D9/759
CPC A61J 1/00; A61J 1/03; A61J 7/04; A61J
7/0084; B65D 1/36; B65D 2583/04;
B65D 83/04; B65D 83/0445; B65D
83/0481

See application file for complete search history.

(56) **References Cited**

U.S. PATENT DOCUMENTS

D281,225 S * 11/1985 Leman D3/203.3
4,735,318 A * 4/1988 Keffeler A61J 1/03
206/532
D298,803 S * 12/1988 Ebling D3/203.3
4,793,492 A * 12/1988 Halbich A45C 11/24
206/538
D304,905 S * 12/1989 Zimmerman D3/203.3
D337,725 S * 7/1993 Bunin D3/203.3
D415,958 S * 11/1999 Noble D3/203.3
D418,288 S * 1/2000 Priebe D3/201
D430,392 S * 9/2000 Noble D3/201
D452,611 S * 1/2002 Redgrave D3/264

OTHER PUBLICATIONS

Fullicon Weekly Pill Organizer, amazon.com, https://www.amazon.com/dp/B084VL32NR/ref=redir_mobile_desktop?_encoding=UTF8&axitk=jF66-IUkGVopCaa3jpCY4Q&hsa_cr_id=8692288290901&pd_rd_plhdr=t&pd_rd_r=58ca48da-2fe1-4f02-a213-26466c25591a&pd_rd_w=7RvFC&pd_rd_wg=DXmKc&ref=sbx_be_s_sparkle_mcd_asin_0_title (Year: 2018).*

(Continued)

Primary Examiner — Steven J Czyz
(74) *Attorney, Agent, or Firm* — WPAT, PC

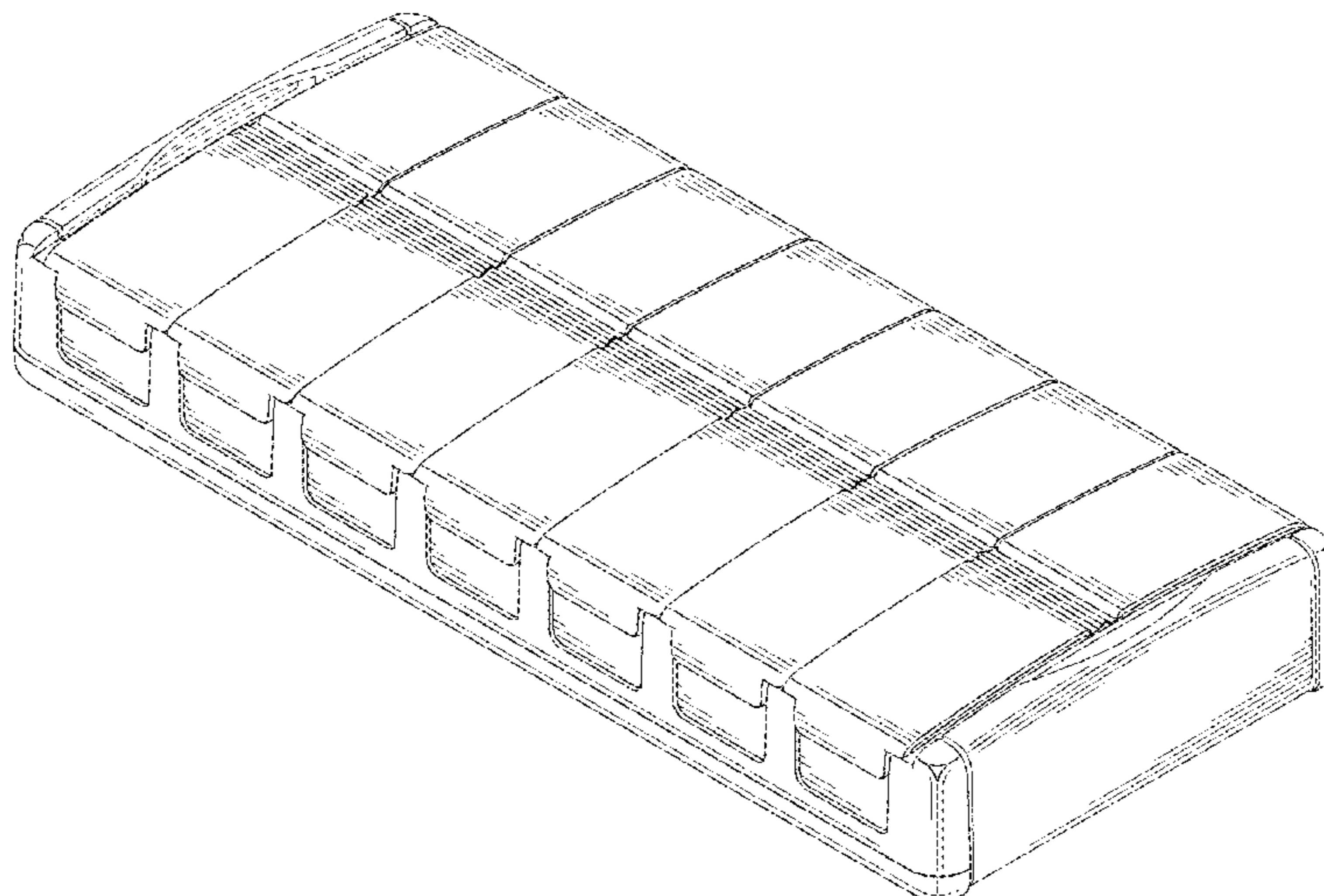
(57) **CLAIM**

The ornamental design for a pill box, as shown and described.

DESCRIPTION

FIG. 1 is a top perspective view of a pill box showing my new design;
FIG. 2 is a bottom perspective view thereof;
FIG. 3 is a front elevation view thereof;
FIG. 4 is a rear elevation view thereof;
FIG. 5 is a left side elevation view thereof;
FIG. 6 is a right side elevation view thereof;
FIG. 7 is a top plan view thereof;
FIG. 8 is a bottom plan view thereof; and,
FIG. 9 is an exploded perspective view thereof.
The broken lines shown are included for the purpose of illustrating unclaimed portions of the article and form no part of the claimed design.

1 Claim, 9 Drawing Sheets



(56)

References Cited

U.S. PATENT DOCUMENTS

7,387,207 B2 * 6/2008 Priebe A61J 1/03
206/532
7,395,929 B2 * 7/2008 Keffeler B65D 83/0445
206/528
D576,404 S * 9/2008 Cooper D3/203.3
D587,005 S * 2/2009 Gardner D3/203.3
7,494,012 B1 * 2/2009 Priebe A61J 1/03
206/1.5
D587,898 S * 3/2009 Cetera D3/203.2
7,624,890 B2 * 12/2009 Noble B65D 43/162
220/324
D612,894 S * 3/2010 Evans D21/392
7,793,785 B2 * 9/2010 Keffeler B65D 83/04
206/538
7,798,330 B2 * 9/2010 Noble B65D 83/04
206/538
8,174,370 B1 * 5/2012 Fulmer-Mason A61J 7/0409
340/309.16
8,381,911 B2 * 2/2013 Buchner B65D 83/04
206/538
D684,355 S * 6/2013 Priebe D3/203.3
D686,407 S * 7/2013 Mazur D3/203.3
D691,366 S * 10/2013 Muncy D3/203.3
D696,007 S * 12/2013 Priebe D3/203.3
D696,008 S * 12/2013 Priebe D3/203.3
D696,010 S * 12/2013 Priebe D3/203.3
D696,856 S * 1/2014 Priebe D3/203.3
D697,303 S * 1/2014 Priebe D3/203.3
D698,141 S * 1/2014 Priebe D3/203.3
D698,540 S * 2/2014 Priebe D3/203.3
D703,943 S * 5/2014 Priebe D3/203.3
D709,282 S * 7/2014 Priebe D3/203.3
D727,011 S * 4/2015 Priebe D3/203.3
9,066,849 B2 * 6/2015 Fung A61J 7/0436
9,161,885 B1 * 10/2015 Zhou A61J 7/0076
D747,869 S * 1/2016 Priebe D3/203.3
9,289,354 B2 * 3/2016 Ryan B65D 25/06

D761,009 S * 7/2016 Jewell D3/203.3
D775,462 S * 1/2017 Noble D3/203.3
D777,419 S * 1/2017 Noble D3/203.3
D799,813 S * 10/2017 Wartenberg D3/203.3
D812,368 S * 3/2018 Noble D3/203.3
9,937,101 B2 * 4/2018 Sheu B65D 83/0481
D831,331 S * 10/2018 Lee D3/203.3
D833,733 S * 11/2018 Chen B65D 83/0481
D3/203.3
10,391,028 B2 * 8/2019 Deluca A61B 5/1174
10,420,703 B1 * 9/2019 Lee A61J 7/0084
D877,489 S * 3/2020 Lee D3/203.2
D882,940 S * 5/2020 Arn D3/203.3
D882,941 S * 5/2020 Deluca B65D 83/0445
D3/203.3
D895,958 S * 9/2020 Guo D3/203.3
D895,959 S * 9/2020 Guo D3/203.3
D897,665 S * 10/2020 Guo D3/203.3
D897,666 S * 10/2020 Guo A61J 7/0436
D3/203.3
D898,344 S * 10/2020 Lee D3/203.3
D898,345 S * 10/2020 Lee A61B 5/1174
D3/203.3
D898,346 S * 10/2020 Lee D3/203.3
D898,348 S * 10/2020 Guo A61J 1/03
D3/203.3

OTHER PUBLICATIONS

Sukuos Pill Organizer, amazon.com, https://www.amazon.com/Sukuos-Quick-Fill-Organizer-Version-Supplements/dp/B084VKS72S/ref=sr_1_2?dchild=1&keywords=Sukuos+Quick-Fill+Pill+Organizer&qid=1612211652&sr=8-2 (Year: 2018).*
NuLeaf Weekly Pill Organizer, amazon.com, https://www.amazon.com/Weekly-Organizer-Version-NuLeaf-Medicine/dp/B0868HY3ZD/ref=sr_1_4?dchild=1&keywords=NuLeaf&qid=1612211713&sr=8-4 (Year: 2019).*

* cited by examiner

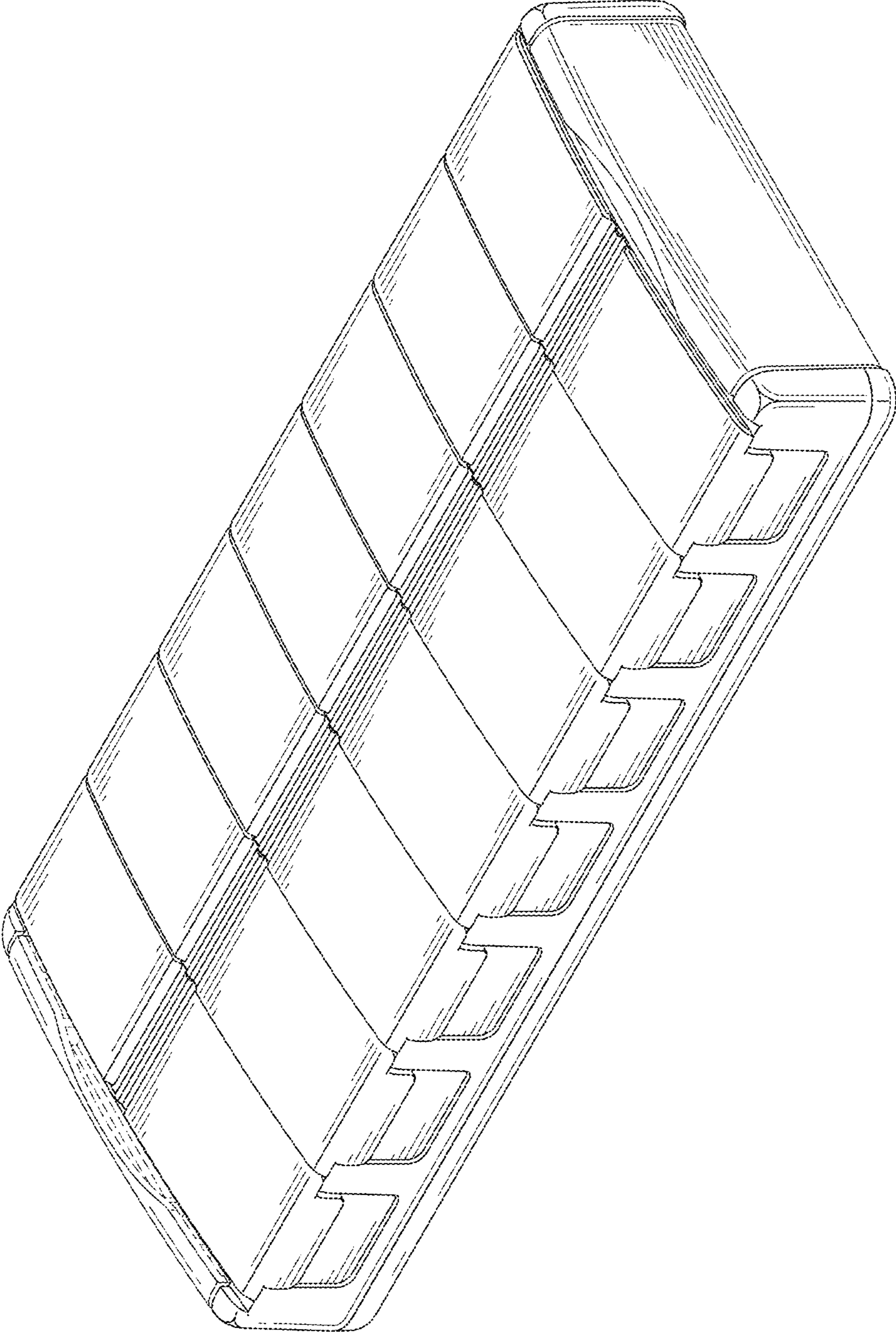


FIG. 1

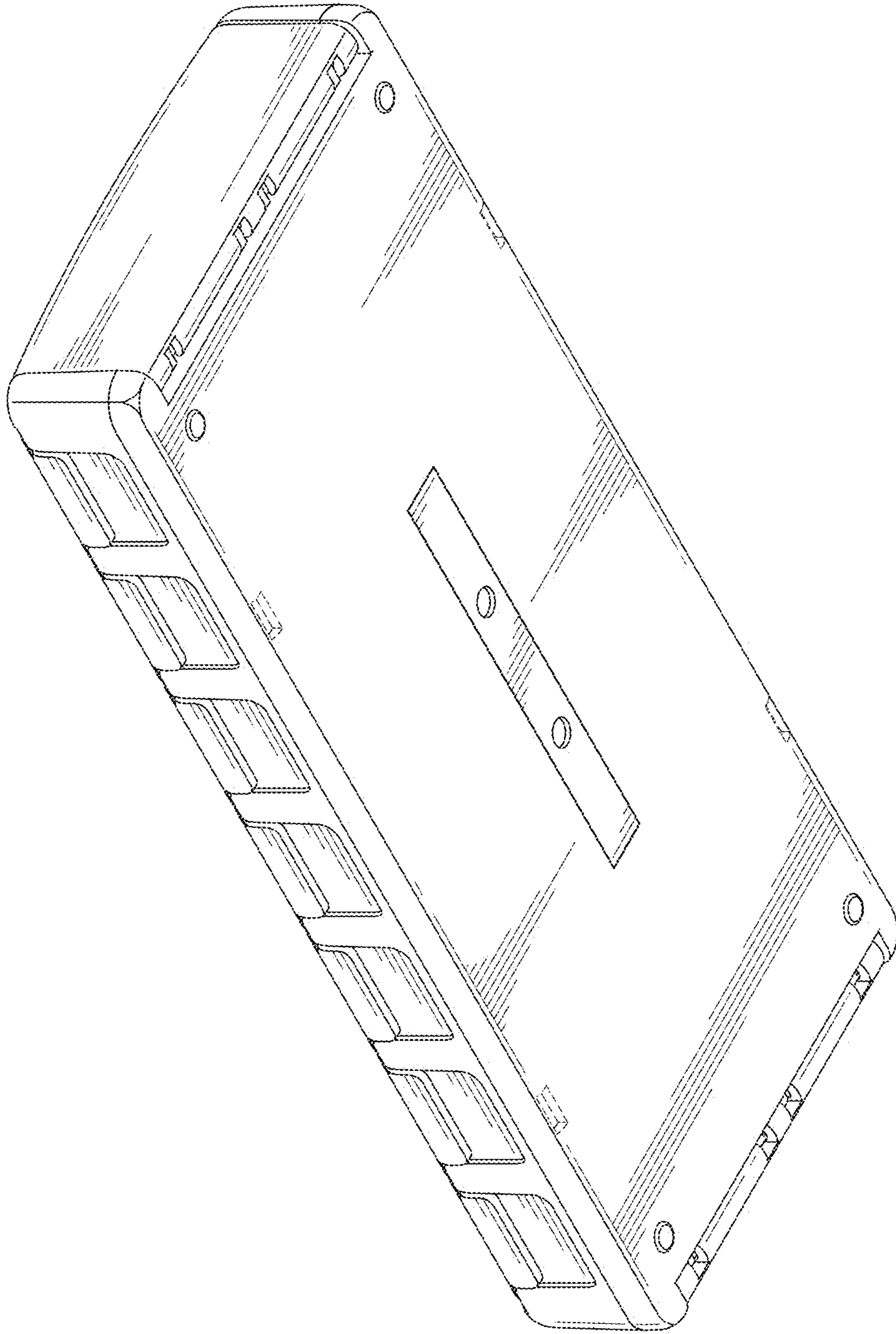


FIG. 2

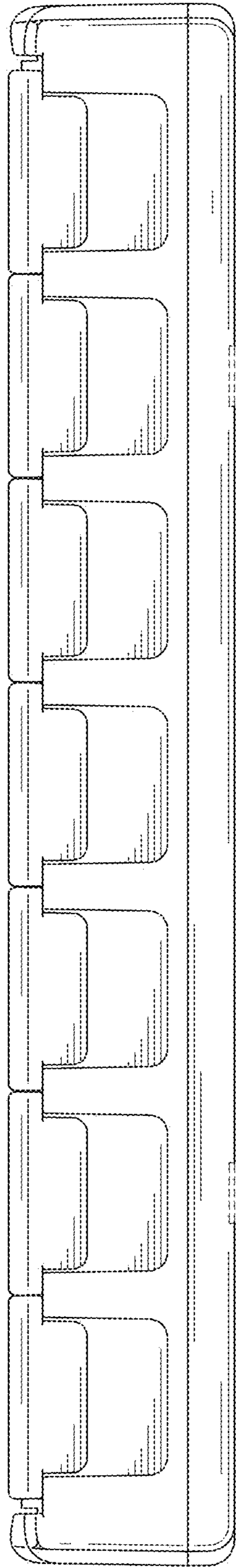


FIG. 3

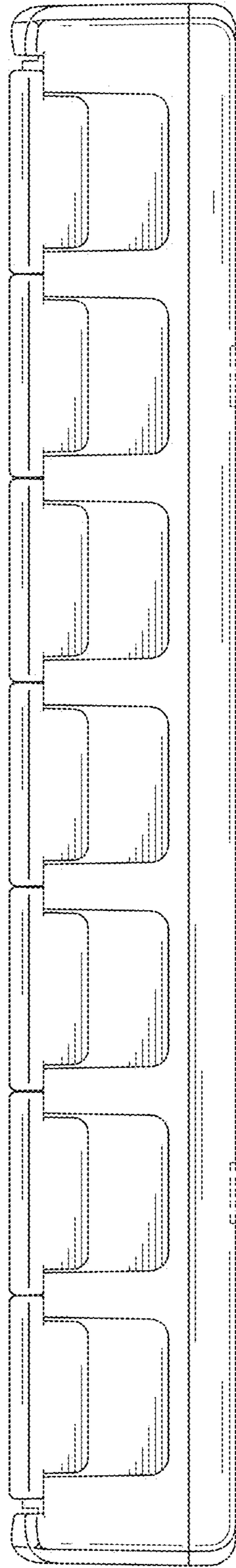


FIG. 4

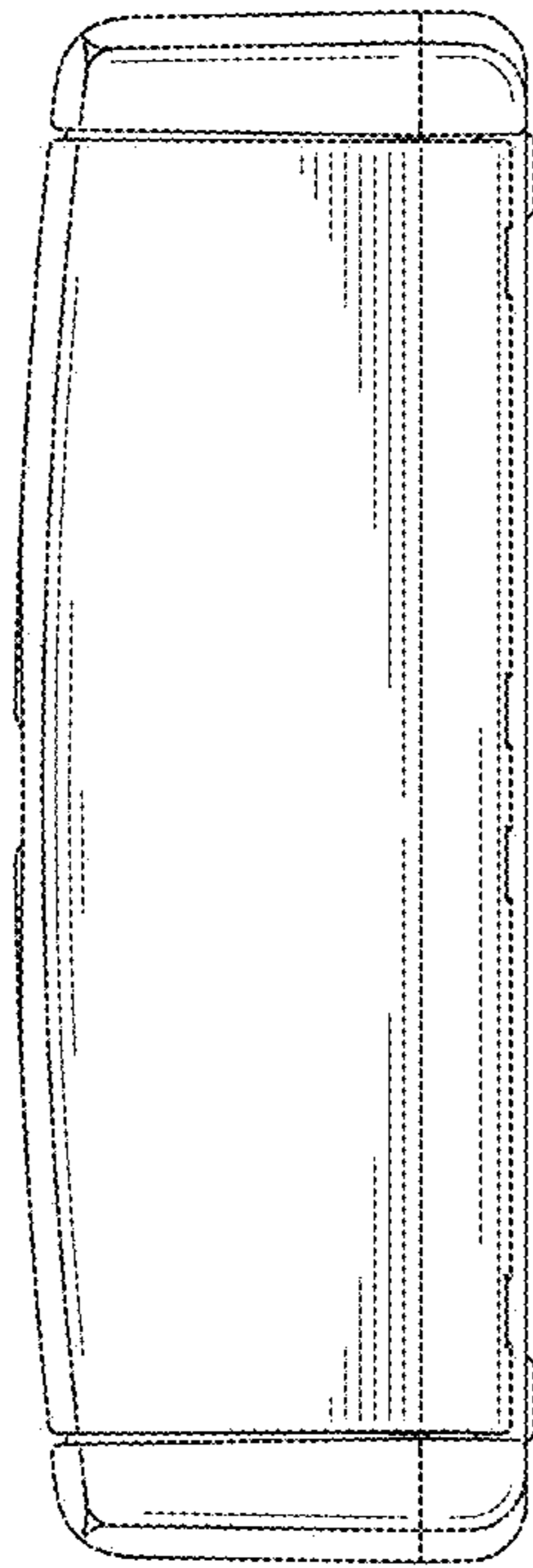


FIG. 5

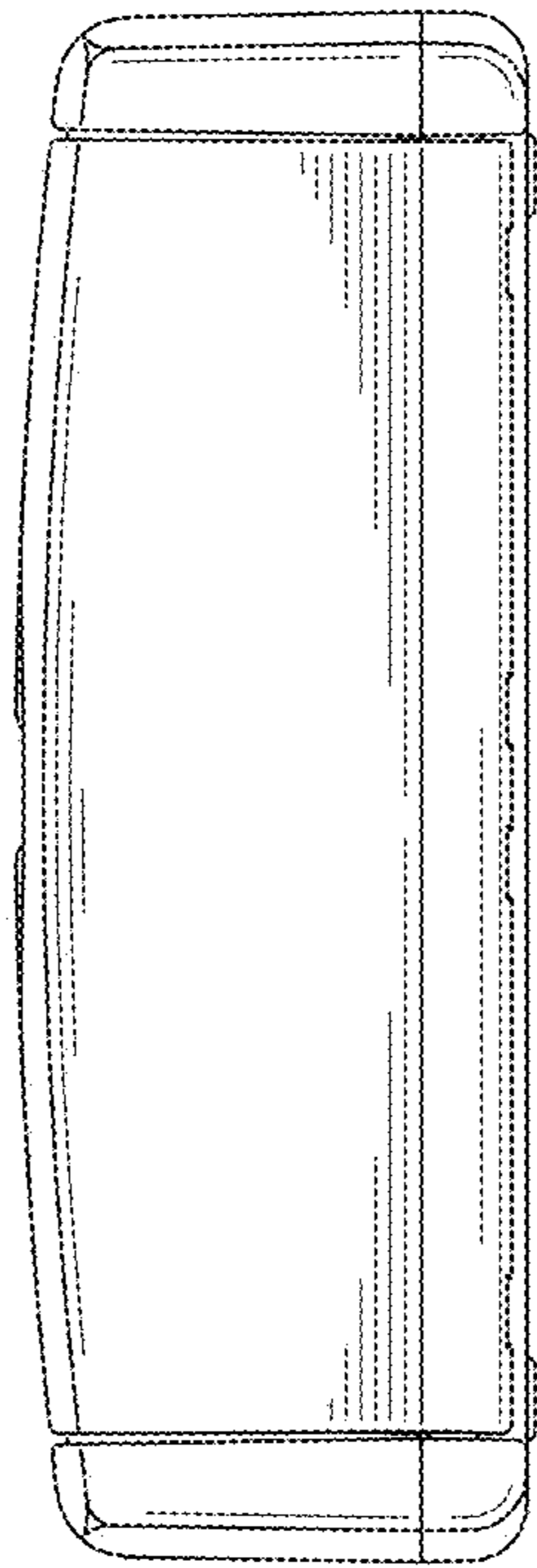


FIG. 6

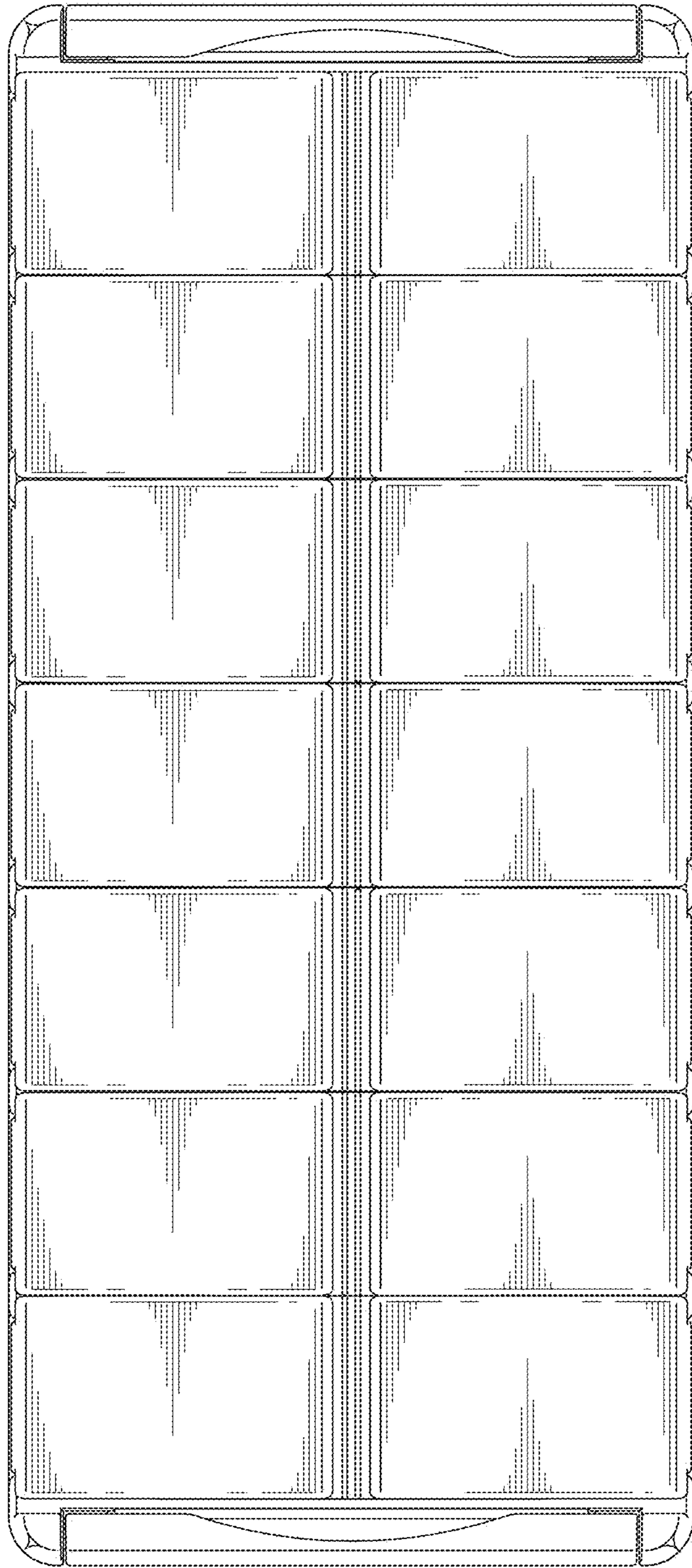


FIG. 7

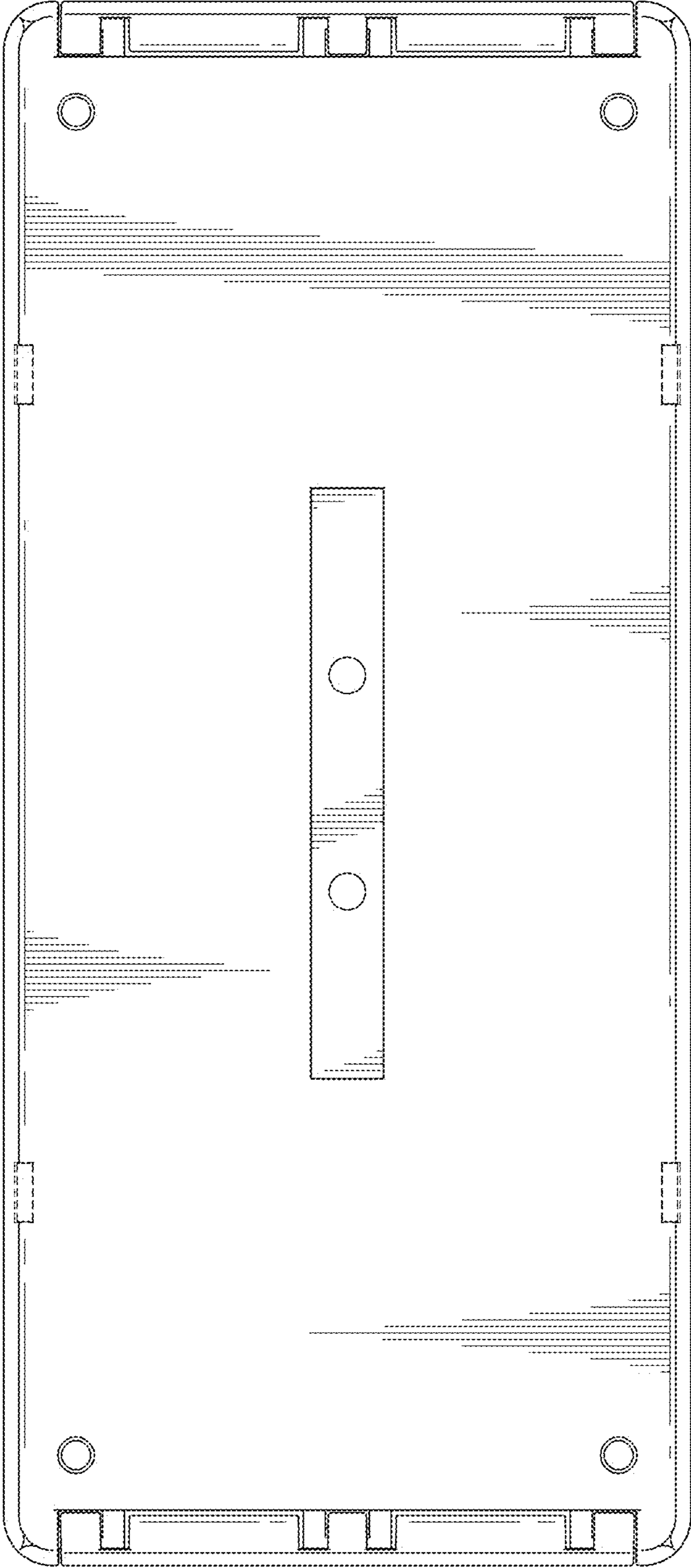


FIG. 8

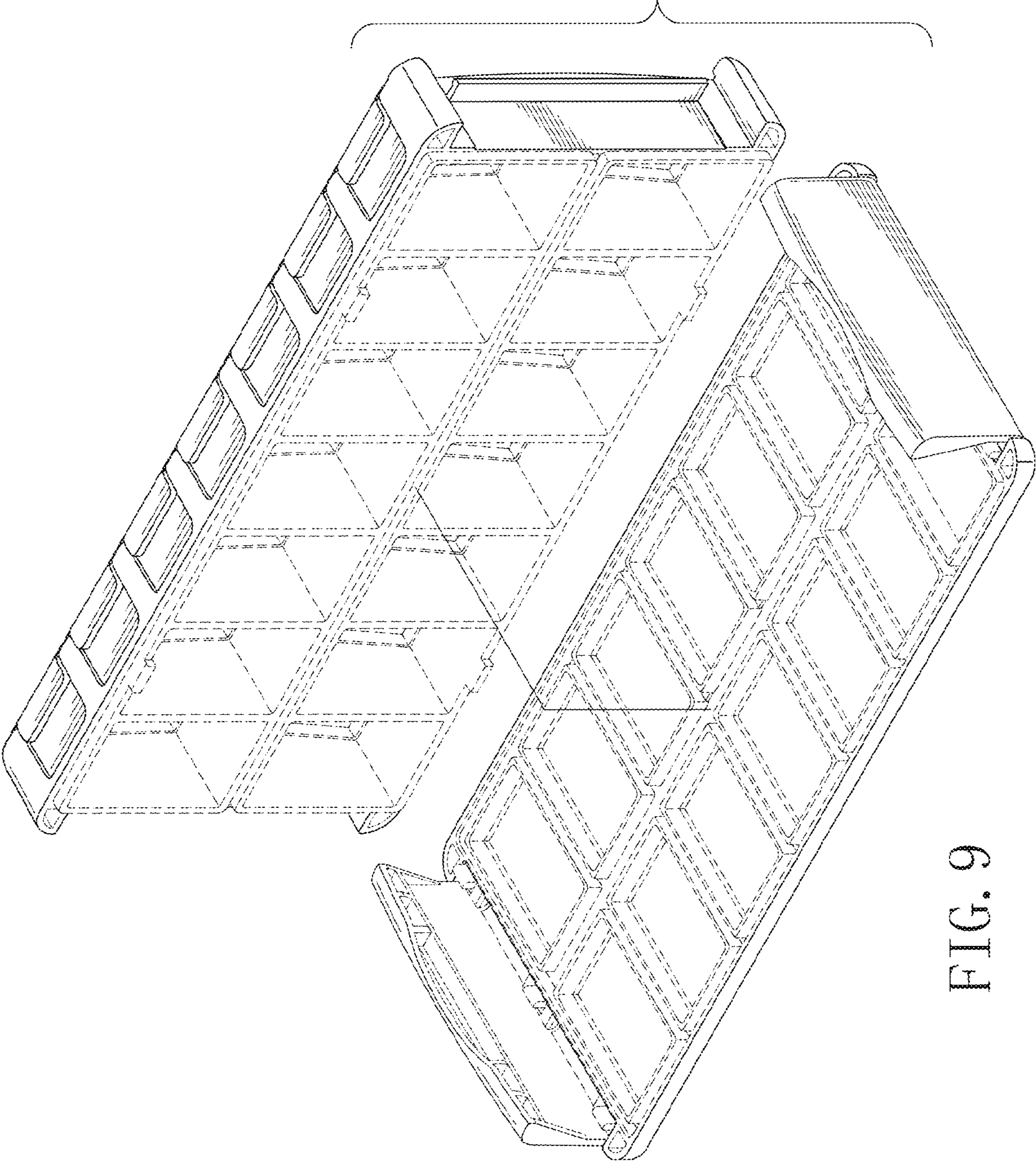


FIG. 9