



US00D939190S

(12) **United States Design Patent** (10) **Patent No.:** **US D939,190 S**  
**Walling et al.** (45) **Date of Patent:** **\*\* Dec. 28, 2021**

- (54) **SHIRT WITH VENTS**
- (71) Applicant: **Rum Gully Enterprises, Inc.**,  
Walterboro, SC (US)
- (72) Inventors: **Marshall Jackson Walling**, Walterboro,  
SC (US); **William Anthony Williams**,  
Lodge, SC (US); **Mark Timothy**  
**Williams**, Lodge, SC (US)
- (73) Assignee: **Rum Gully Enterprises, Inc.**,  
Walterboro, SC (US)
- (\*\*) Term: **15 Years**
- (21) Appl. No.: **29/723,836**
- (22) Filed: **Feb. 11, 2020**
- (51) **LOC (13) Cl.** ..... **02-02**
- (52) **U.S. Cl.**  
USPC ..... **D2/840**
- (58) **Field of Classification Search**  
USPC ..... D2/840, 849, 739, 829  
CPC ..... A41D 27/10; A41D 27/28  
See application file for complete search history.

- 3,086,215 A \* 4/1963 Di Paola ..... A41D 27/28  
2/93
- 3,153,793 A \* 10/1964 Lepore ..... A41D 3/00  
2/93
- 3,296,626 A 1/1967 Ludwikowski  
(Continued)

FOREIGN PATENT DOCUMENTS

- CN 203341044 \* 12/2013
- CN 207383563 \* 5/2018
- (Continued)

OTHER PUBLICATIONS

FR Solid Vent Work Shirt, posted to ariat.com. Available date: 2017 (from customer review) [site visited Aug. 3, 2021] Available: <[https://www.ariat.com/FR\\_SOLID\\_VENT\\_SHRT\\_M\\_APP.html](https://www.ariat.com/FR_SOLID_VENT_SHRT_M_APP.html)> (Year: 2017).\*

(Continued)

*Primary Examiner* — Kevin K Rudzinski  
(74) *Attorney, Agent, or Firm* — Timothy J. Monahan;  
Monahan & Company, LLC

(57) **CLAIM**

The ornamental design for the shirt with vents, as shown and described.

**DESCRIPTION**

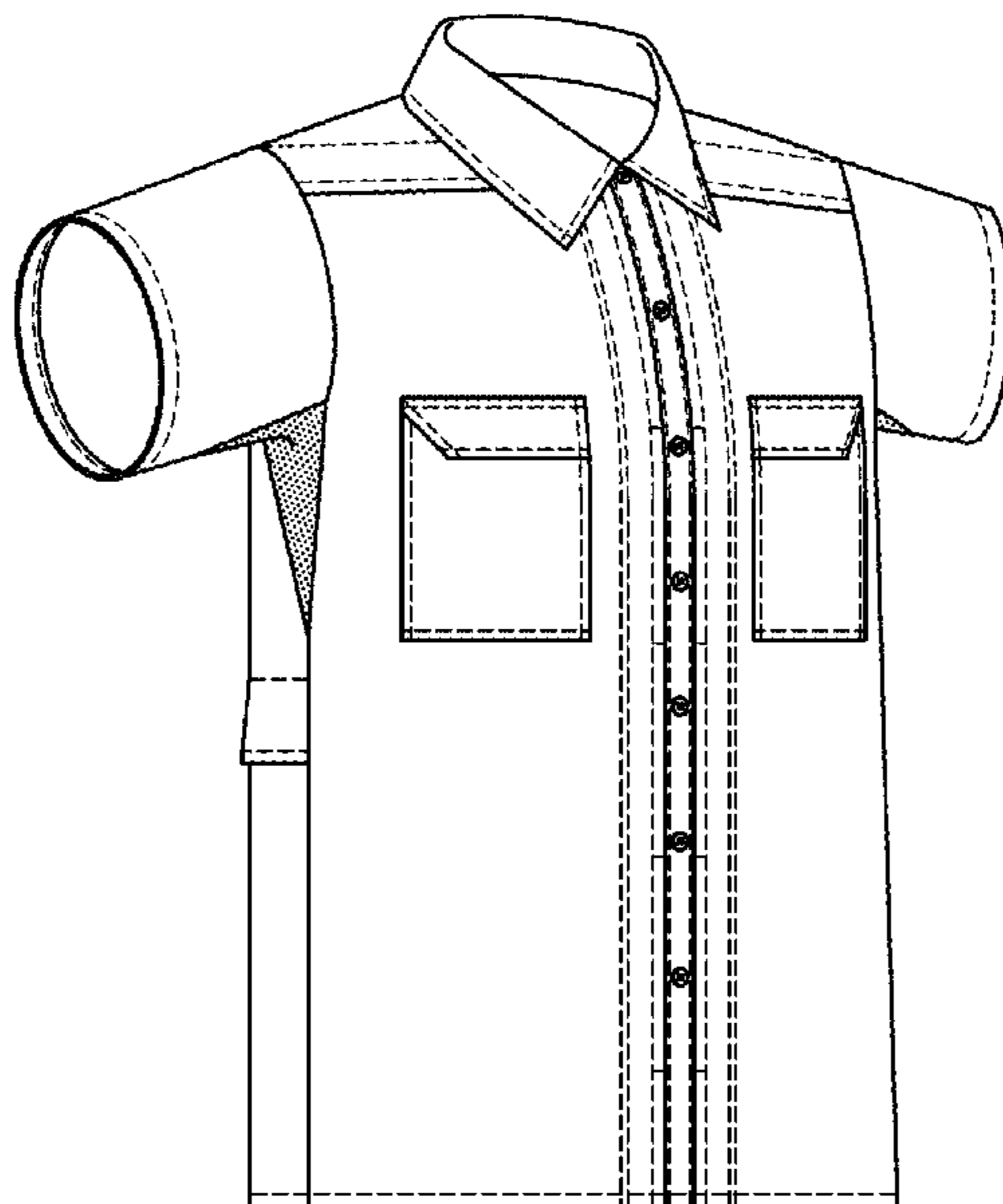
FIG. 1 is a front perspective view of the shirt with vents.  
FIG. 2 is a front view of the shirt with vents.  
FIG. 3 is a back view of the shirt with vents.  
FIG. 4 is a view of the right side of the shirt with vents.  
FIG. 5 is a view of the left side of the shirt with vents.  
FIG. 6 is a front perspective view showing an alternative configuration of the shirt with vents, namely, with the front vents open; and,  
FIG. 7 is a back perspective view showing an alternative configuration of the shirt with vents, namely, with the back vents open.

**1 Claim, 6 Drawing Sheets**

(56) **References Cited**

U.S. PATENT DOCUMENTS

- 2,254,076 A \* 8/1941 Lesser ..... A41B 1/00  
2/116
- 2,314,226 A \* 3/1943 Lee ..... A41D 27/10  
2/94
- 2,413,527 A \* 12/1946 Solomon ..... A41B 1/00  
2/268
- 2,458,004 A \* 1/1949 Kerr ..... A41D 3/00  
2/93
- 2,506,850 A \* 5/1950 Amsler, Jr. .... A41D 1/04  
2/115
- D158,902 S \* 6/1950 Shapiro ..... D2/849



(56)

References Cited

U.S. PATENT DOCUMENTS

3,911,500 A \* 10/1975 Naumovski ..... A41B 1/00  
2/115  
D263,890 S \* 4/1982 Dalton ..... D2/849  
4,608,715 A \* 9/1986 Miller et al.  
5,072,454 A \* 12/1991 Trahan ..... A62B 17/003  
2/70  
5,105,477 A \* 4/1992 Golde ..... A41D 27/10  
2/108  
5,105,478 A \* 4/1992 Pyc ..... A41D 27/28  
2/115  
5,608,913 A \* 3/1997 Lacoste ..... A41D 13/00  
2/108  
5,642,526 A \* 7/1997 Thompson ..... A41D 15/00  
2/79  
D390,339 S \* 2/1998 Dipietro ..... D2/840  
5,727,256 A \* 3/1998 Rudman ..... A41D 27/28  
2/115  
D395,539 S \* 6/1998 DiPietro ..... D2/840  
5,704,064 A \* 10/1998 van der Sleen  
6,339,845 B1 \* 1/2002 Burns ..... A41D 31/102  
2/243.1  
D491,713 S \* 6/2004 Wilson, II ..... D2/849  
D574,579 S \* 8/2008 Kang ..... D2/840  
7,578,005 B2 \* 8/2009 Vereen ..... A41B 1/00  
2/108  
D645,230 S \* 9/2011 Rushworth ..... D2/847  
D657,532 S \* 4/2012 Gaeir ..... D2/840  
8,713,712 B2 \* 5/2014 Maurer ..... A41D 27/28  
2/93  
D713,130 S \* 9/2014 Boyle ..... D2/849  
D738,594 S \* 9/2015 Boyle ..... D2/840  
9,386,810 B2 \* 7/2016 Demarest et al.  
9,603,400 B2 \* 3/2017 Kenney ..... A41D 27/28  
D790,806 S \* 7/2017 Grosbol ..... D2/828  
9,713,352 B2 \* 7/2017 Demarest ..... A41D 27/10  
9,717,291 B2 \* 8/2017 Espili ..... A41D 27/28  
D815,803 S \* 4/2018 Stokes ..... D2/840  
D822,347 S \* 7/2018 Tien ..... D2/840  
D828,679 S \* 9/2018 Bair ..... D2/840  
10,098,395 B2 \* 10/2018 Baschak et al.  
D838,937 S \* 1/2019 Ballone ..... D2/840  
D841,941 S \* 3/2019 Zheng ..... D2/840  
10,238,157 B2 \* 3/2019 Nordstrom ..... A41D 13/002  
D850,062 S \* 6/2019 Zheng ..... D2/840  
10,349,687 B2 \* 7/2019 Baschak ..... A41D 13/0015  
10,433,594 B2 \* 10/2019 Espili ..... A41D 13/02  
10,687,572 B2 \* 6/2020 Baker ..... A41D 27/28  
D923,915 S \* 7/2021 Speck ..... D2/739  
2004/0237168 A1 \* 12/2004 Braun  
2007/0028351 A1 \* 2/2007 Coolik ..... A41D 27/10  
2/115  
2007/0180596 A1 \* 8/2007 Shelton ..... A41D 27/207  
2/113  
2009/0077710 A1 \* 3/2009 Bay ..... A41D 3/00  
2/87

2010/0043116 A1 \* 2/2010 Vereen ..... A41B 1/08  
2/81  
2011/0239350 A1 \* 10/2011 Ho ..... A41D 31/145  
2/93  
2013/0333092 A1 \* 12/2013 Hodgson ..... A41D 27/285  
2/69  
2014/0196192 A1 \* 7/2014 Koller ..... A41D 3/00  
2/85

FOREIGN PATENT DOCUMENTS

CN 211129753 \* 7/2020  
DE 8110271 \* 10/1981  
JP 3106813 \* 11/2004

OTHER PUBLICATIONS

The Ventilated Shirt by Banana Republic, posted to secretfanbase.com. available date: Aug. 28, 2020 [Site Visited Aug. 3, 2021] Available: <<https://www.secretfanbase.com/banana/the-ventilated-shirt/>> (Year: 2020).\*

Pattern Hack: Hiking Shirt With Armpit and Back Vents posted to sewtreefrog.com. Available date: Nov. 9, 2018 [site visited Aug. 3, 2021] Available: <<https://sewtreefrog.com/2018/11/09/pattern-hack-hiking-shirt-with-armpit-and-back-vents/>> (Year: 2018).\*

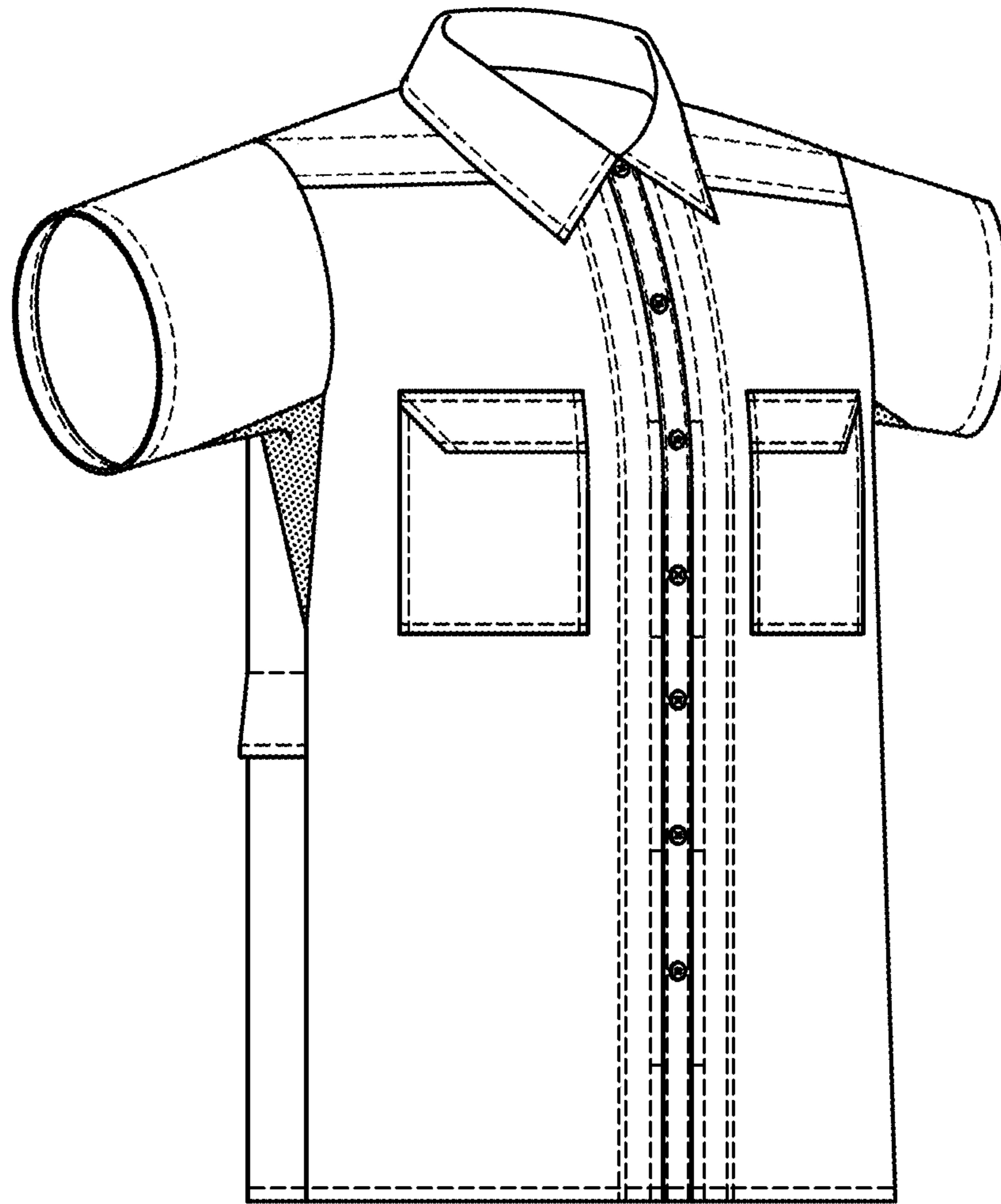
Columbia Men's PFG Tamiami II Short Sleeve Shirt posted to amazon.com. Available date: Dec. 19, 2011 [site visited Aug. 3, 2021] Available: <[https://www.amazon.com/Columbia-Tamiami-Short-Sleeve-Shirt/dp/B0058YRHEA/ref=sr\\_1\\_62?dchild=1&keywords=vent+shirt&qid=1628010530&sr=8-62](https://www.amazon.com/Columbia-Tamiami-Short-Sleeve-Shirt/dp/B0058YRHEA/ref=sr_1_62?dchild=1&keywords=vent+shirt&qid=1628010530&sr=8-62)> (Year: 2011).\*

Camo Wingshooter's Shirt posted to drakewaterfowl.com. Available date: Aug. 15, 2017 [site visited Aug. 3, 2021] Available: <<https://www.drakewaterfowl.com/products/est-l-s-camo-wingshooters-shirt?variant=31058483609667#shopify-product-reviews>> (Year: 2017).\*

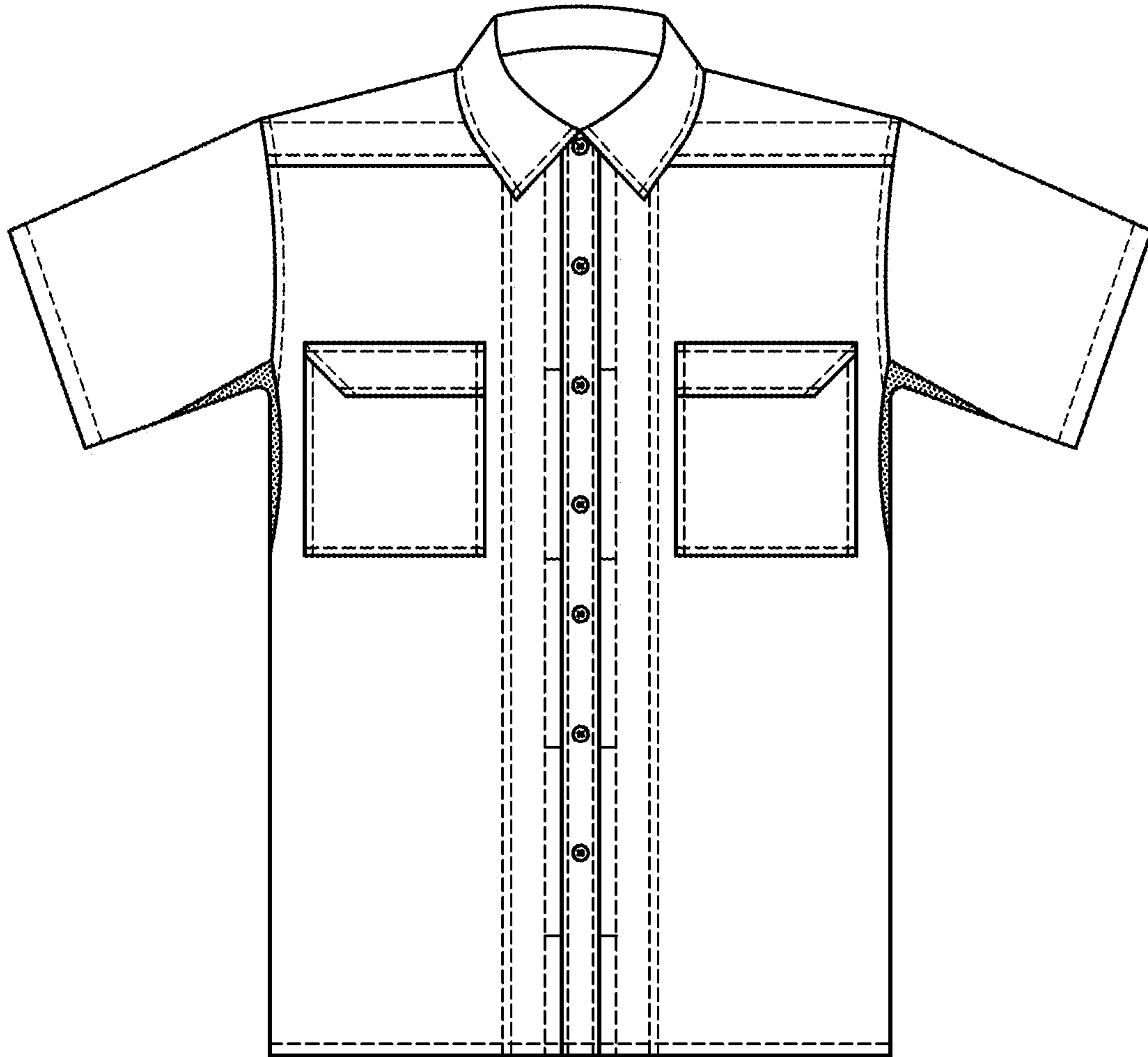
Rangle Vented Short Sleeve Shirt posted to aftco.com. Available date: Sep. 14, 2019 [site visited Sep. 21, 2021] Available: <[https://aftco.com/products/rangle-vented-short-sleeve-shirt?variant=32717510312041&gclid=CjwKCAjwhaaKBhBcEiwA8acsHLqvgvIBZgR6gB2Q7-JJsPajjMa6n2wnvujlZasZiNAh2-Vc3sh-kBoC-zlQAvD\\_BwE#shopify-product-reviews](https://aftco.com/products/rangle-vented-short-sleeve-shirt?variant=32717510312041&gclid=CjwKCAjwhaaKBhBcEiwA8acsHLqvgvIBZgR6gB2Q7-JJsPajjMa6n2wnvujlZasZiNAh2-Vc3sh-kBoC-zlQAvD_BwE#shopify-product-reviews)> (Year: 2019).\*

Trailside Supply Co. Men's Button Down Shirt posted to amazon.com. Available date: Jul. 3, 2017 [site visited Sep. 21, 2021] Available: <[https://www.amazon.com/Trailside-Supply-Co-Breathable-Convertible/dp/B01MXPT057/ref=asc\\_df\\_B01\\_MXPT057/?tag=hyprod-20&linkCode=df0&hvadid=167118301185&hvpos=&hvnetw=&hvrand=2110653672176653805&hvpone=&hvptwo=&hvqmt=&hvdev=c&hvdvcmdl=&hvlocint=&hvlocphy=9008027&hvtargid=pla-294763029569&th=1&psc=1](https://www.amazon.com/Trailside-Supply-Co-Breathable-Convertible/dp/B01MXPT057/ref=asc_df_B01_MXPT057/?tag=hyprod-20&linkCode=df0&hvadid=167118301185&hvpos=&hvnetw=&hvrand=2110653672176653805&hvpone=&hvptwo=&hvqmt=&hvdev=c&hvdvcmdl=&hvlocint=&hvlocphy=9008027&hvtargid=pla-294763029569&th=1&psc=1)> (Year: 2017).\*

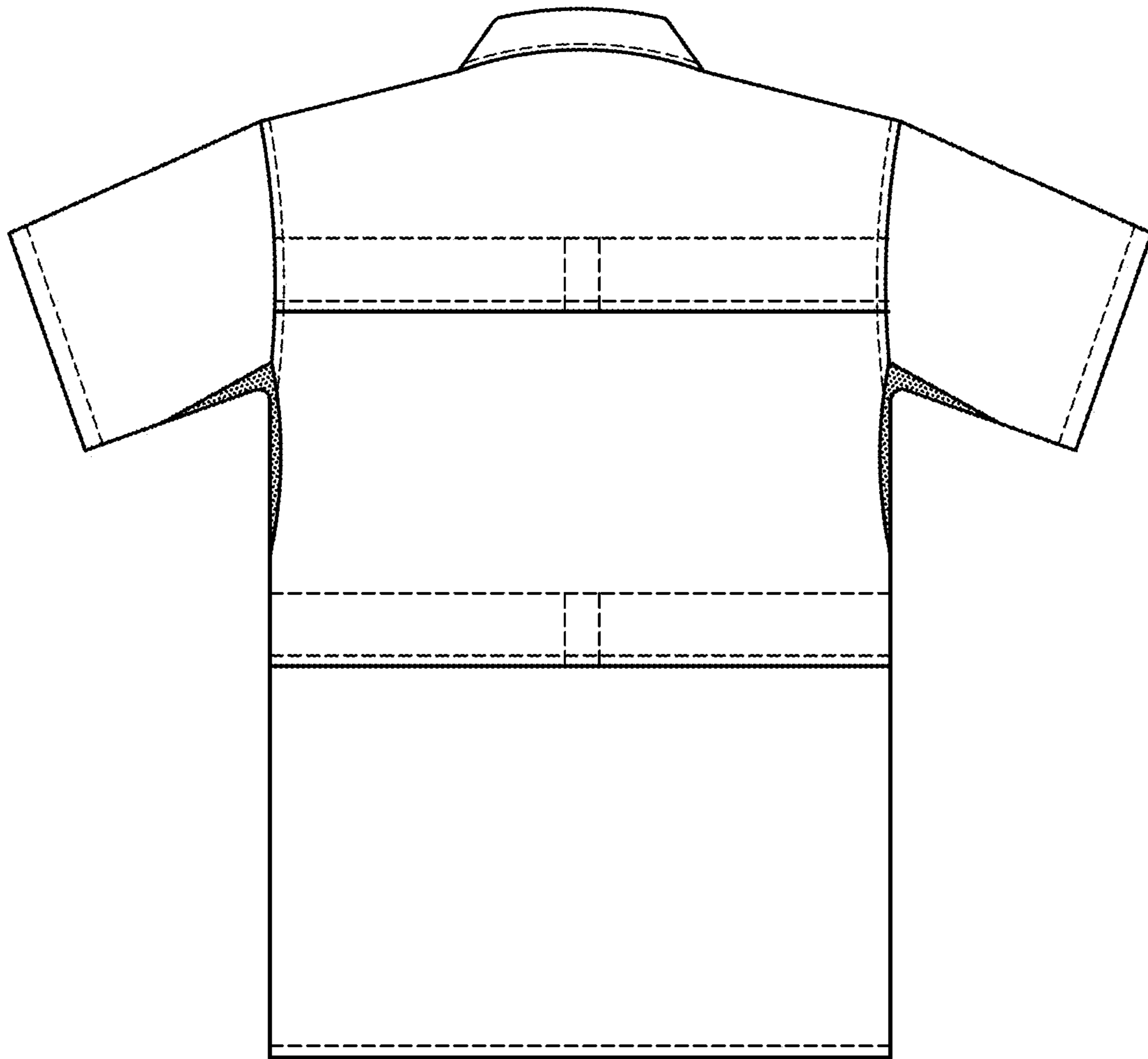
\* cited by examiner



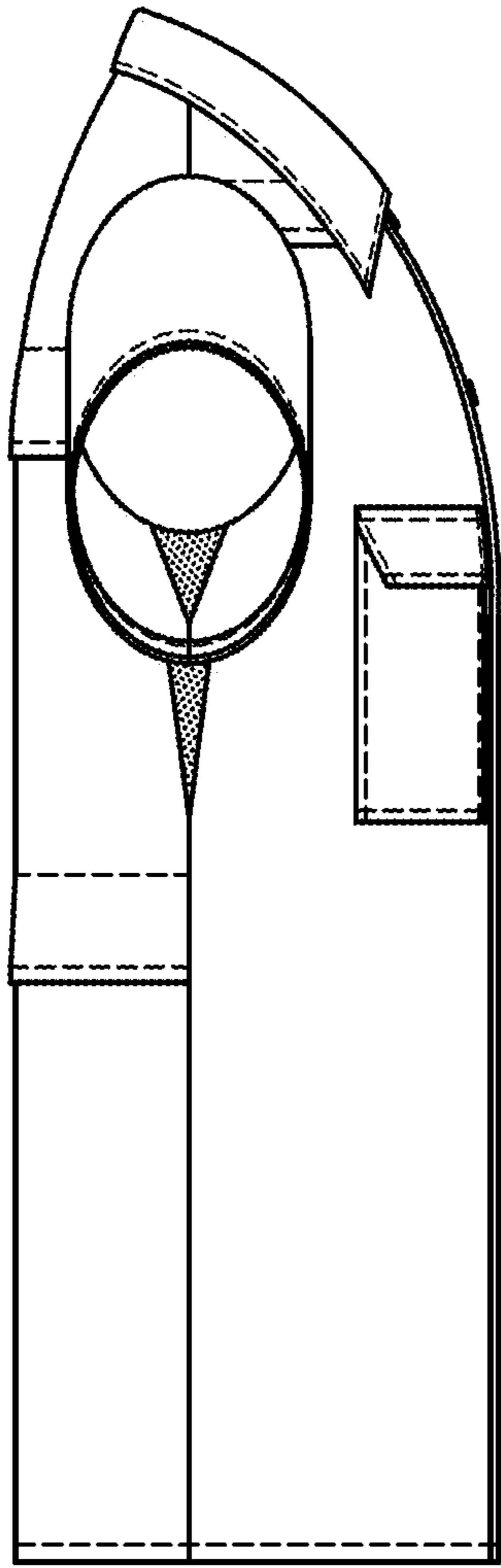
*FIG. -1-*



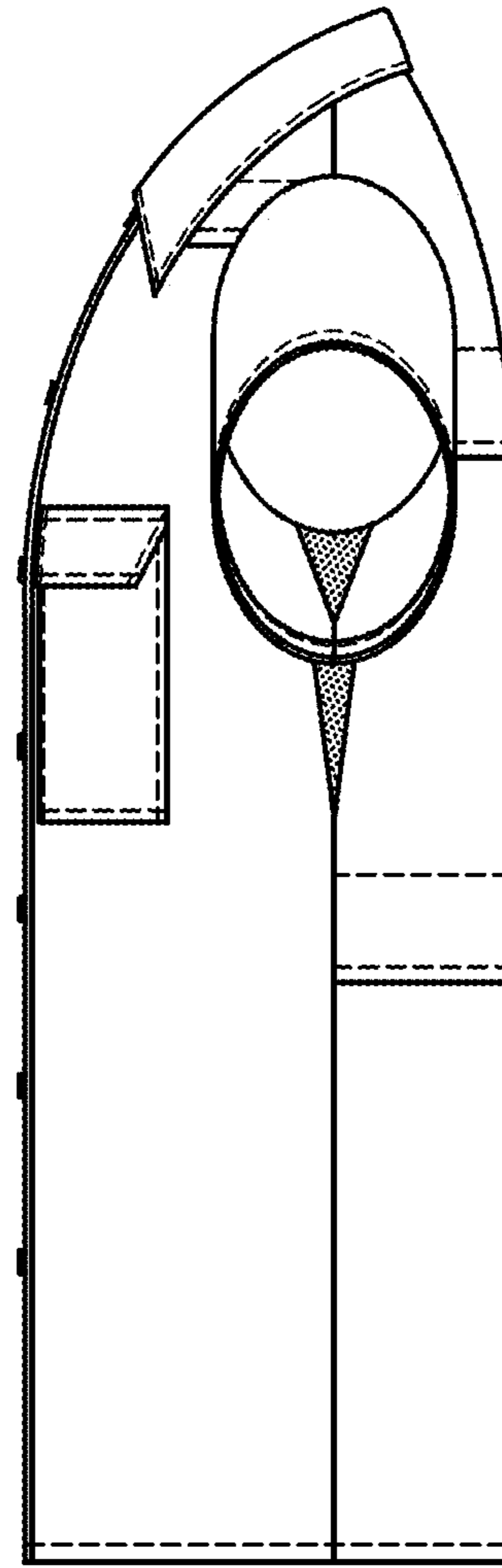
*FIG. -2-*



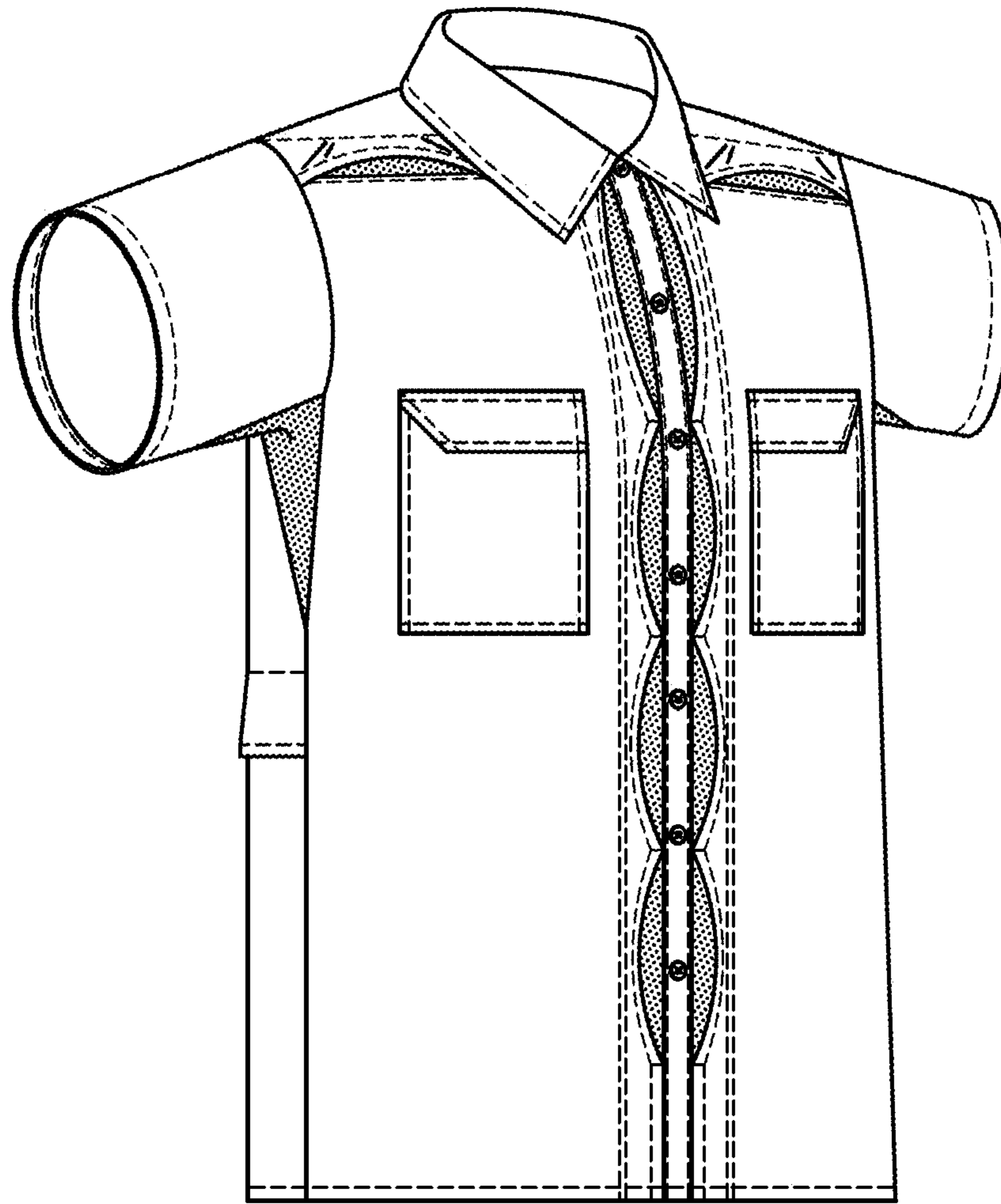
*FIG. -3-*



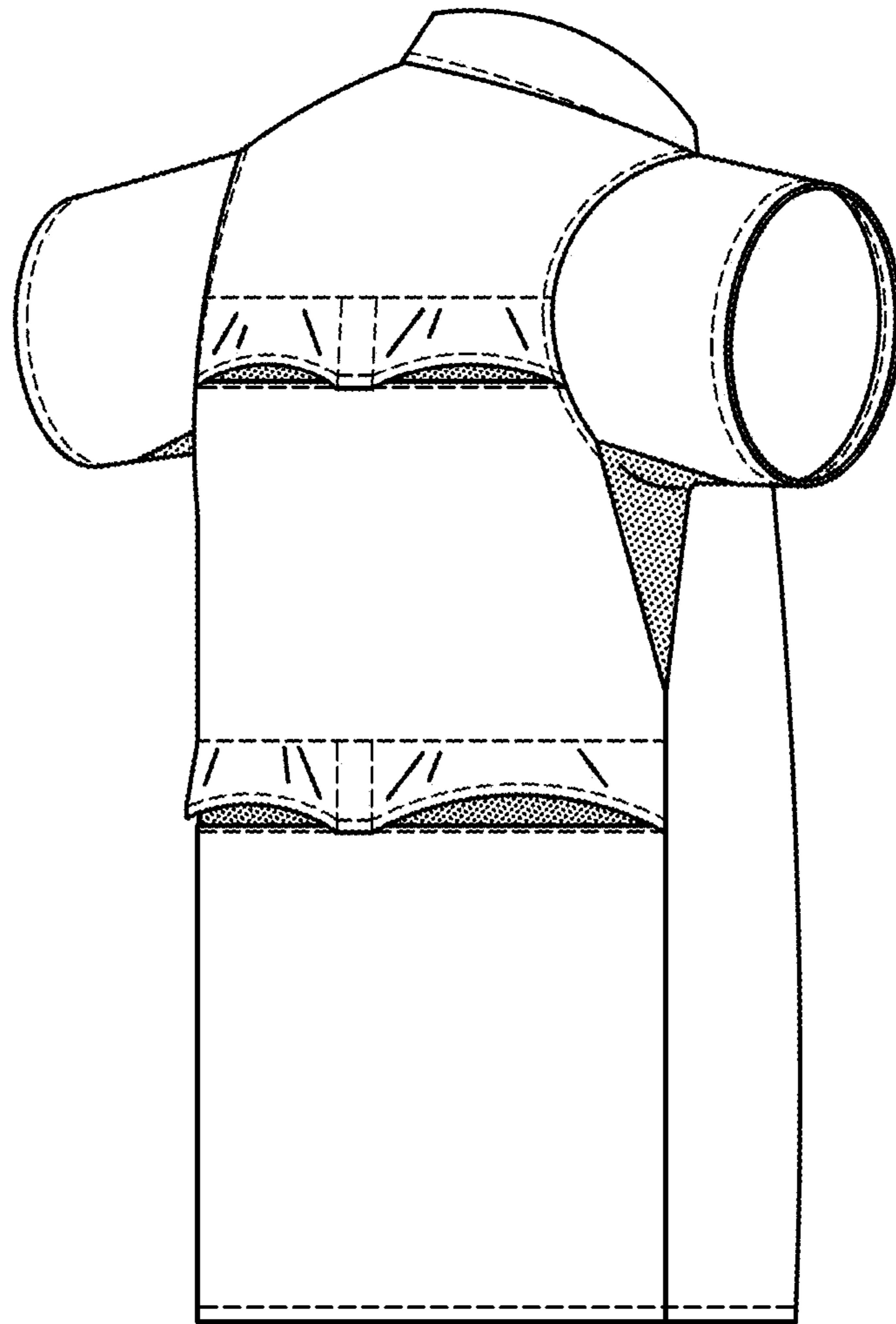
*FIG. -4-*



*FIG. -5-*



*FIG. -6-*



*FIG. -7-*