



US00D939184S

(12) **United States Design Patent** (10) **Patent No.:** **US D939,184 S**
Polak et al. (45) **Date of Patent:** **** Dec. 28, 2021**

(54) **CONFECTIONERY**

(71) Applicant: **INTERCONTINENTAL GREAT BRANDS LLC**, East Hanover, NJ (US)

(72) Inventors: **William M. Polak**, Budd Lake, NY (US); **Marissa Letinski**, Morristown, NJ (US); **Kevin Wallenstein**, Hillsborough, NJ (US)

(73) Assignee: **INTERCONTINENTAL GREAT BRANDS LLC**, East Hanover, NJ (US)

(**) Term: **15 Years**

(21) Appl. No.: **29/750,572**

(22) Filed: **Sep. 15, 2020**

Related U.S. Application Data

(63) Continuation of application No. 29/744,990, filed on Aug. 3, 2020.

(51) **LOC (13) Cl.** **01-01**

(52) **U.S. Cl.**
USPC **D1/109; D1/127**

(58) **Field of Classification Search**
USPC D1/100–130, 199; 426/5, 104, 249, 275, 426/660, 549, 512; D24/101–104;
(Continued)

(56) **References Cited**

U.S. PATENT DOCUMENTS

D62,611 S * 7/1923 Hochstraser D1/104
D224,549 S * 8/1972 Kroll D21/458
(Continued)

OTHER PUBLICATIONS

“Limited Edition Maynards Sour Patch Kids Heads & Bodies.” Grocery Gems. Oct. 17, 2013. Web. Jun. 2, 2021. <<http://grocerygems.blogspot.com/2013/10/limited-edition-maynards-sour-patch.html>>.*

Primary Examiner — Katie Jane Stofko

(74) *Attorney, Agent, or Firm* — Cantor Colburn LLP

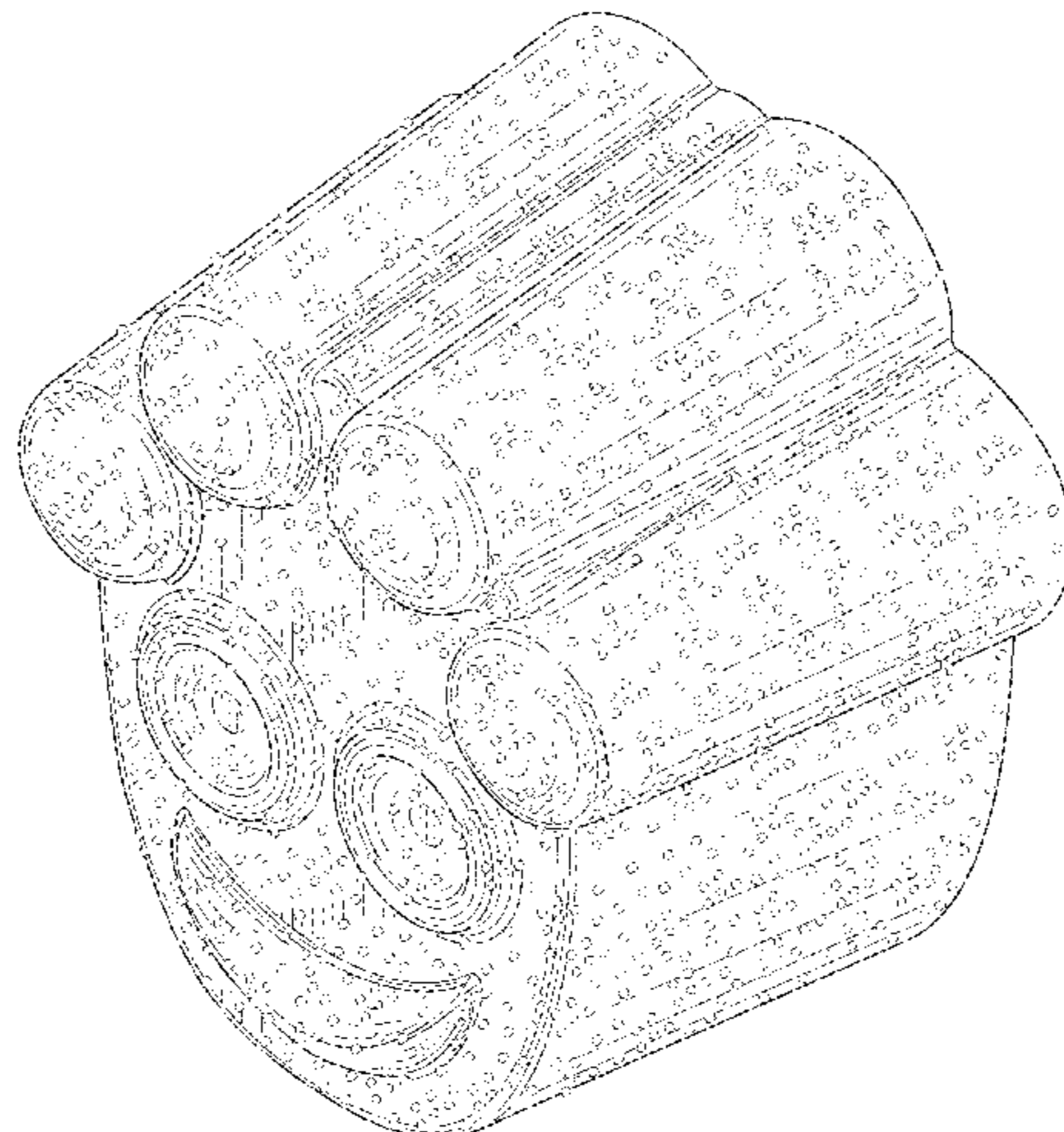
(57) **CLAIM**

We claim, the ornamental design for a confectionery, as shown and described.

DESCRIPTION

FIG. 1 is a perspective view of a confectionery, showing our new design in a first embodiment;
FIG. 2 is a front view of the embodiment shown in FIG. 1;
FIG. 3 is a rear view of the embodiment shown in FIG. 1;
FIG. 4 is a right side view of the embodiment shown in FIG. 1;
FIG. 5 is a left side view of the embodiment shown in FIG. 1;
FIG. 6 is a top view of the embodiment shown in FIG. 1;
FIG. 7 is a bottom view of the embodiment shown in FIG. 1;
FIG. 8 is a perspective view of a confectionery, showing our new design in a second embodiment;
FIG. 9 is a front view of the embodiment shown in FIG. 8;
FIG. 10 is a rear view of the embodiment shown in FIG. 8;
FIG. 11 is a right side view of the embodiment shown in FIG. 8;
FIG. 12 is a left side view of the embodiment shown in FIG. 8;
FIG. 13 is a top view of the embodiment shown in FIG. 8;
FIG. 14 is a bottom view of the embodiment shown in FIG. 8;
FIG. 15 is a perspective view of a confectionery, showing our new design in a third embodiment;
FIG. 16 is a front view of the embodiment shown in FIG. 15;
FIG. 17 is a rear view of the embodiment shown in FIG. 15;
FIG. 18 is a right side view of the embodiment shown in FIG. 15;
FIG. 19 is a left side view of the embodiment shown in FIG. 15;
FIG. 20 is a top view of the embodiment shown in FIG. 15;
and,
FIG. 21 is a bottom view of the embodiment shown in FIG. 15.

(Continued)



The evenly-spaced broken lines in FIGS. 8-21 illustrate portions of the confectionery that form no part of the claimed design. The dash-dot-dash broken lines in FIGS. 15, 16 and 18-21 illustrate the boundary of the claimed design which forms no part thereof.

1 Claim, 21 Drawing Sheets

(58) **Field of Classification Search**

USPC 273/429; D9/707, 714; D28/8.1, 4;
D14/433; D11/20, 31
CPC ... A23G 4/02; A23G 4/06; A23G 4/08; A23G
4/10; A23G 4/20; A23G 4/00; A23G
3/38; A23G 3/42; A23G 3/54; A23G
3/50; A23G 9/48; A23K 1/164; A23V
2002/00

See application file for complete search history.

(56) **References Cited**

U.S. PATENT DOCUMENTS

D327,154 S *	6/1992	Raimbert	D1/106
D391,385 S *	3/1998	Steele	426/104
D490,587 S *	6/2004	Hunt	D1/102
D517,273 S *	3/2006	Harrington	D1/108
D598,632 S *	8/2009	Damron	D1/106
D695,988 S *	12/2013	Trammell	D1/106
D728,192 S *	5/2015	Neely	D1/109
D768,351 S *	10/2016	Sherman	D1/108
D768,352 S *	10/2016	Sherman	D1/108
D779,150 S *	2/2017	Sherman	D1/108
2008/0213436 A1 *	9/2008	Mansuino	A23G 1/0066 426/103

* cited by examiner

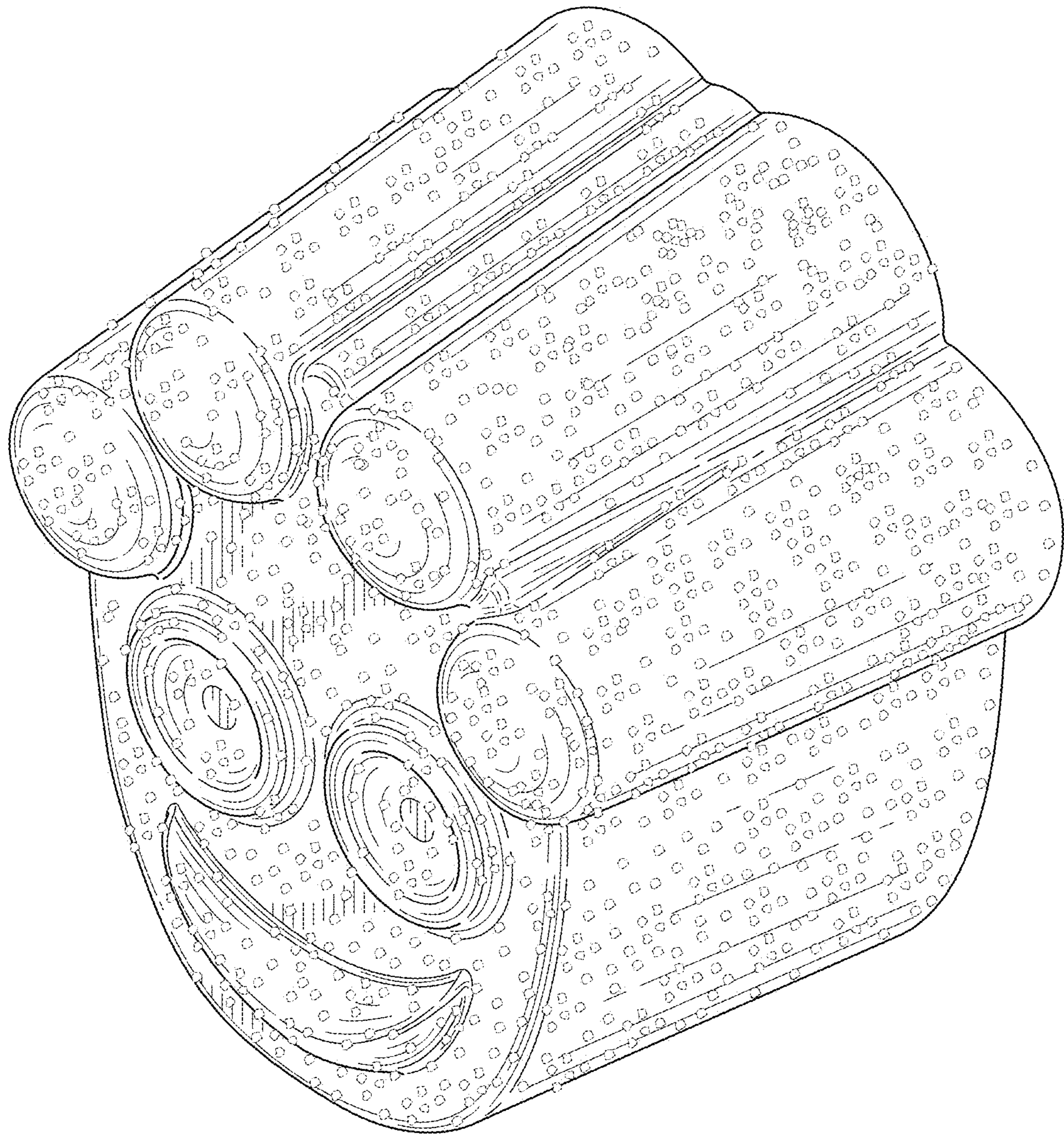


FIG. 1

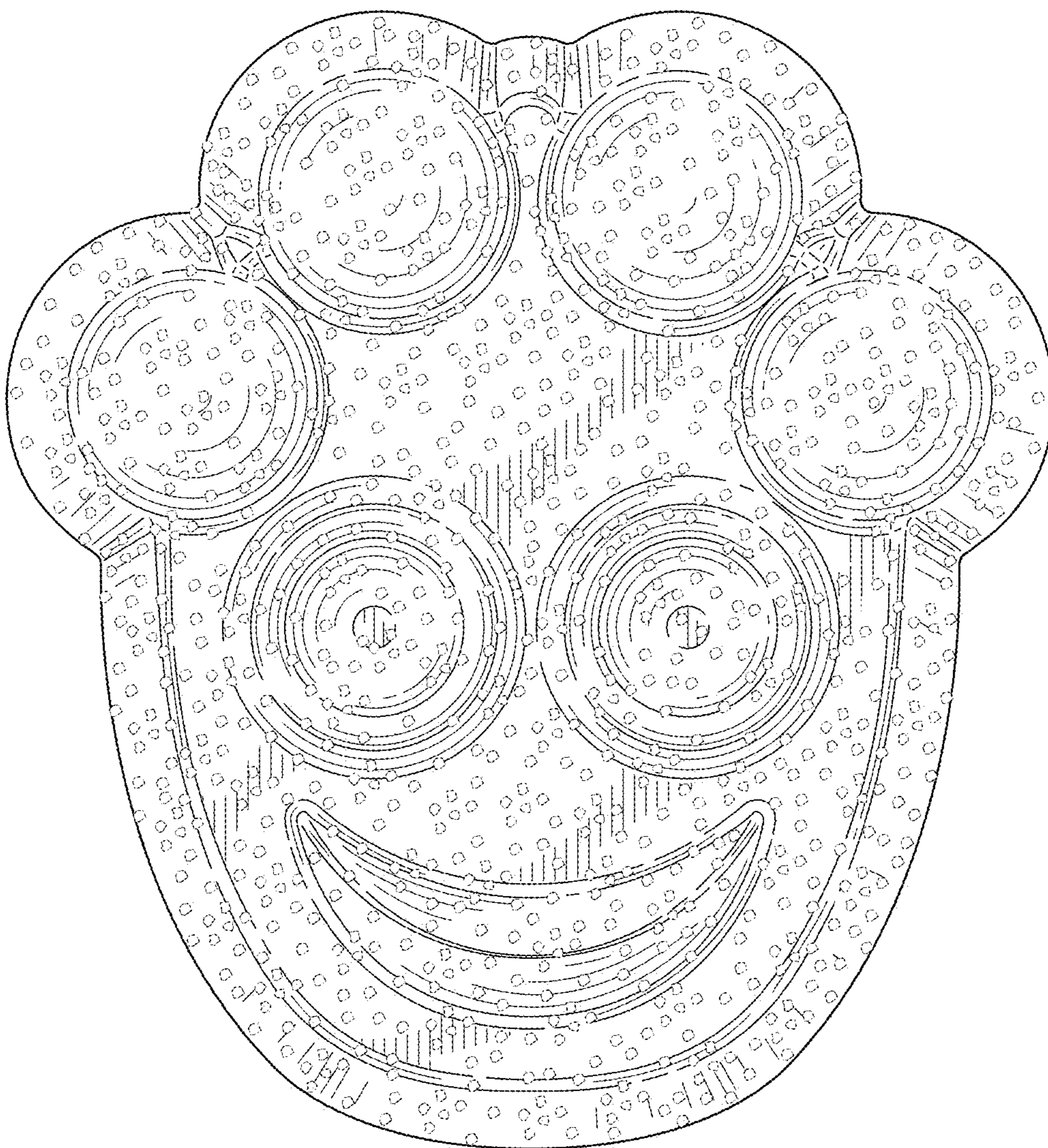


FIG. 2

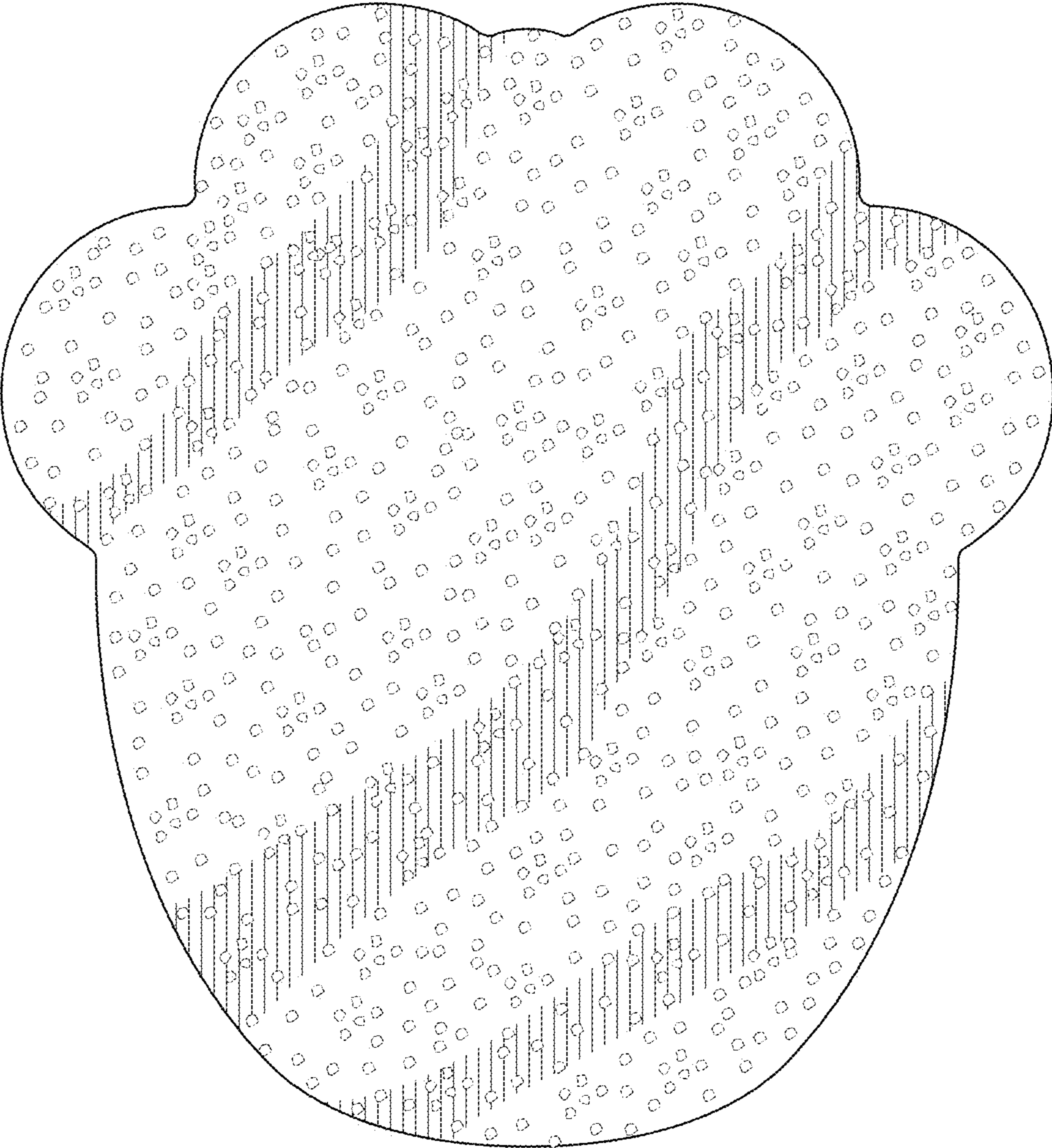


FIG. 3

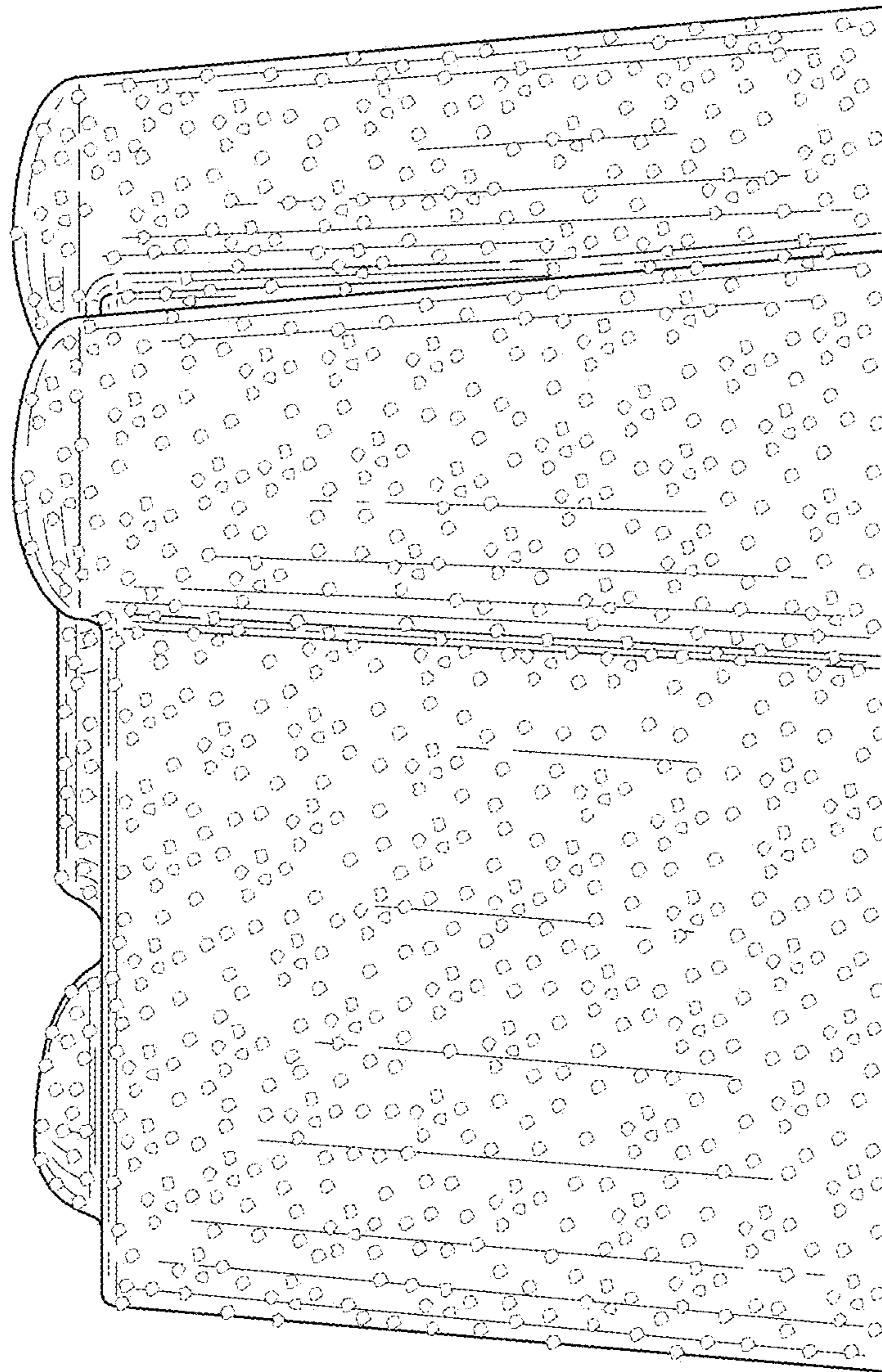


FIG. 4

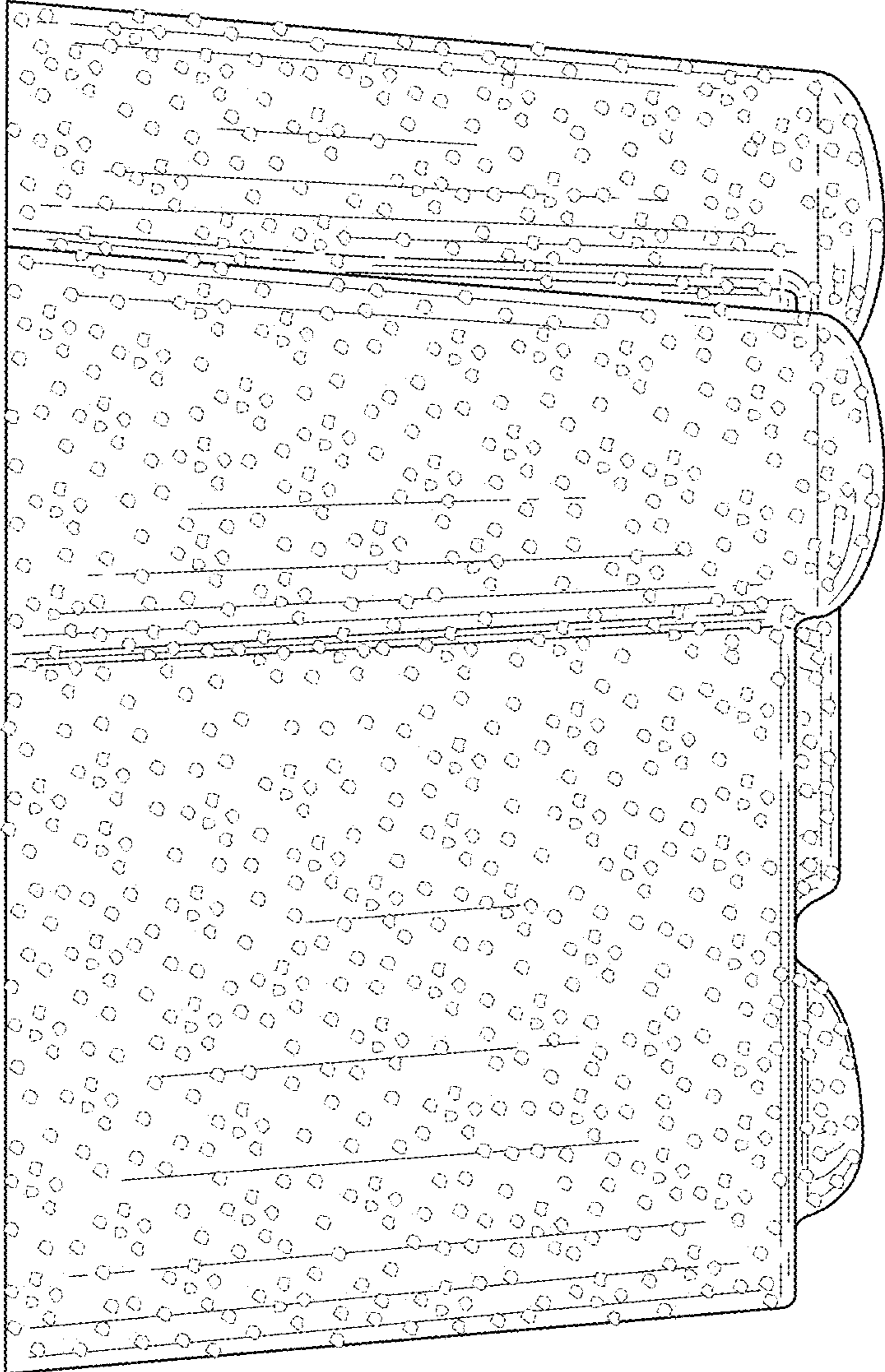


FIG. 5

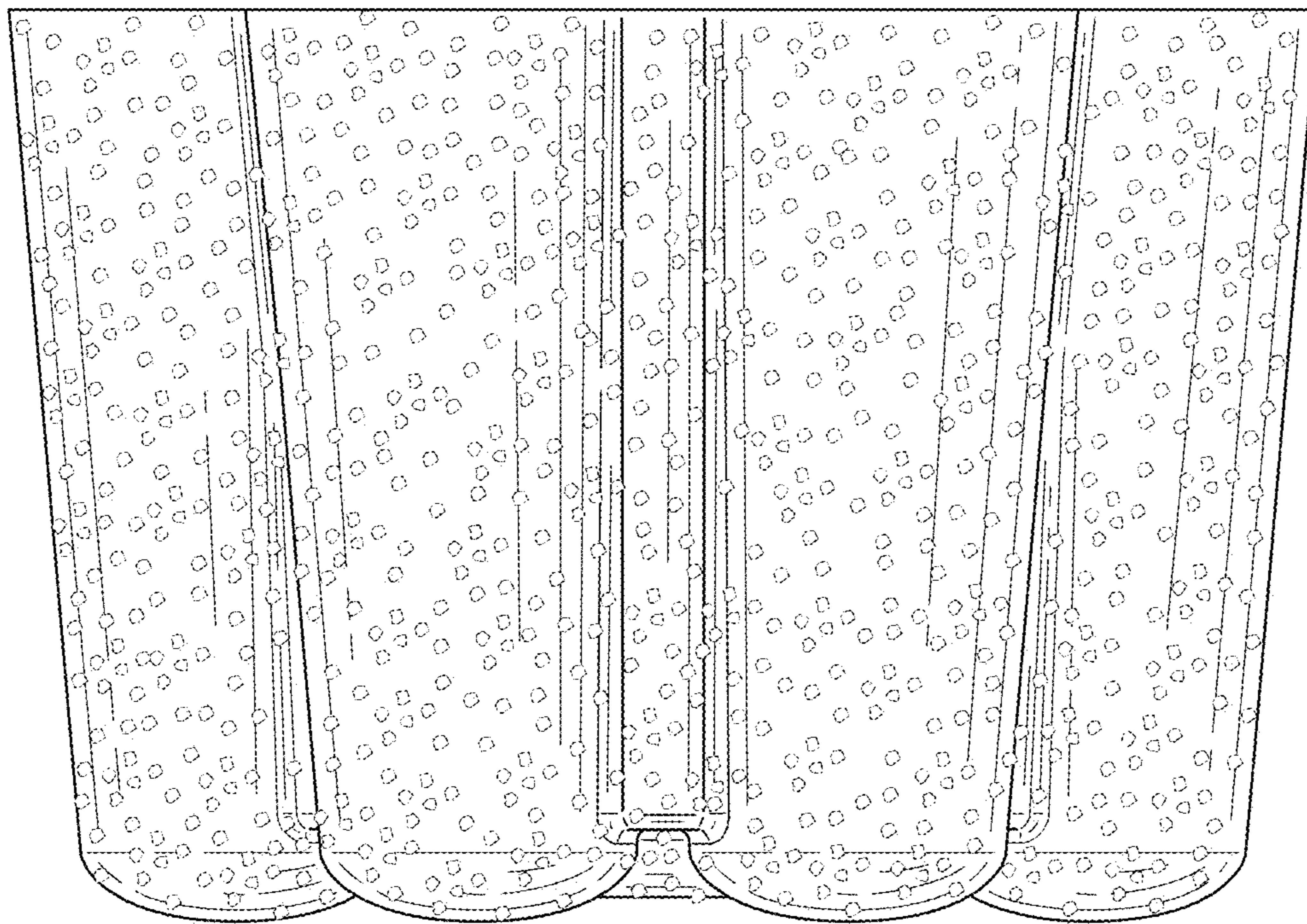


FIG. 6

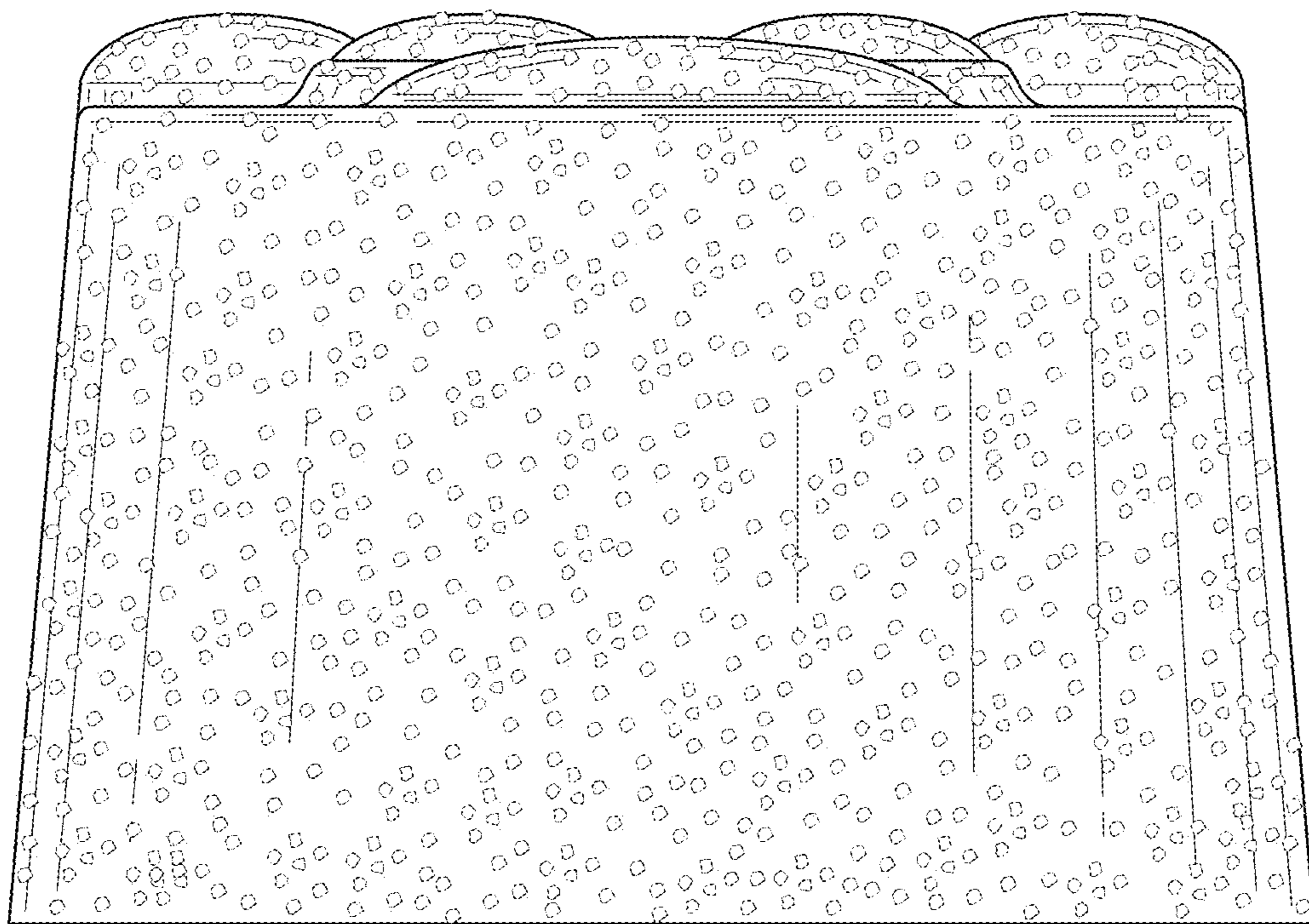


FIG. 7

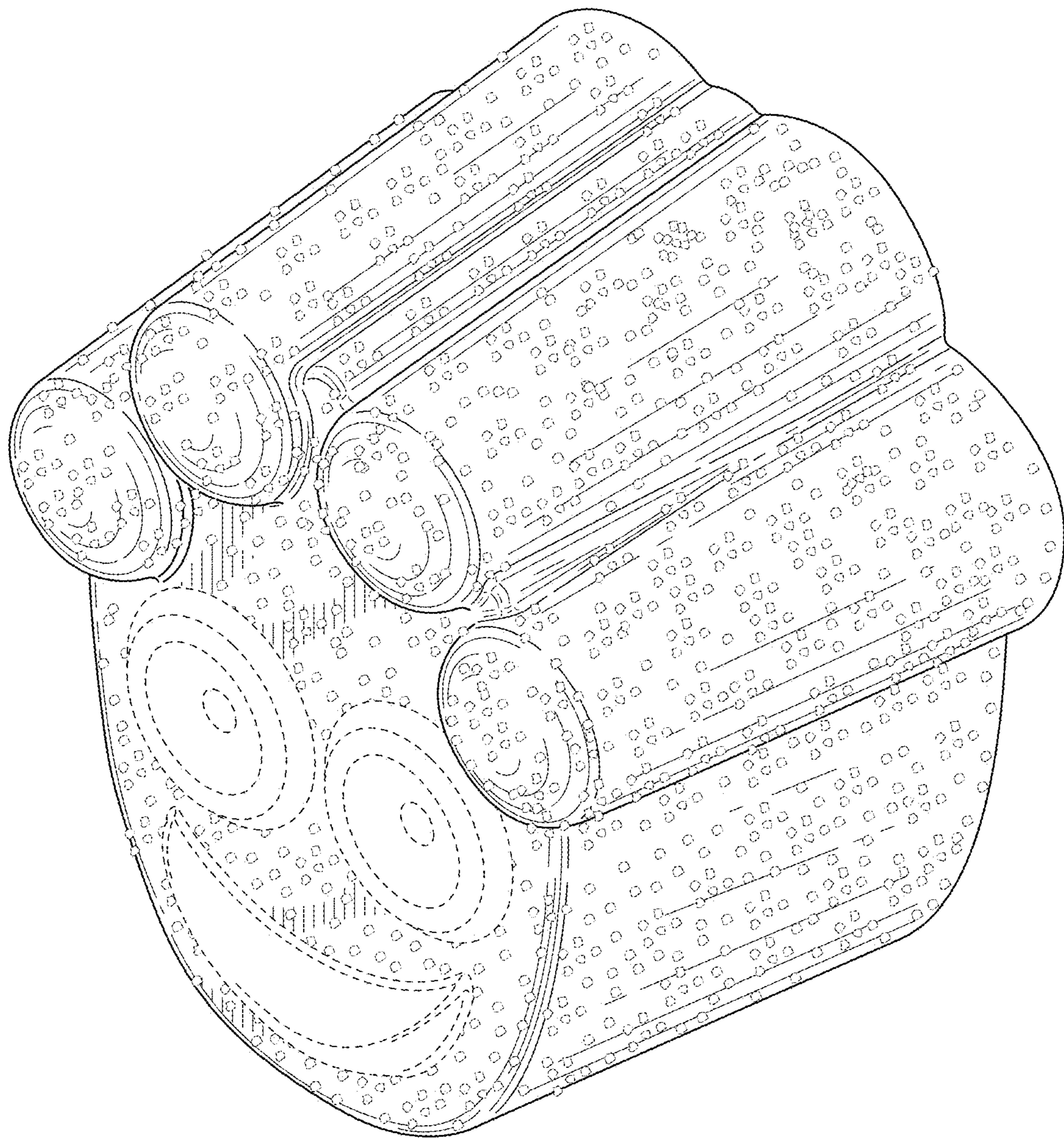


FIG. 8

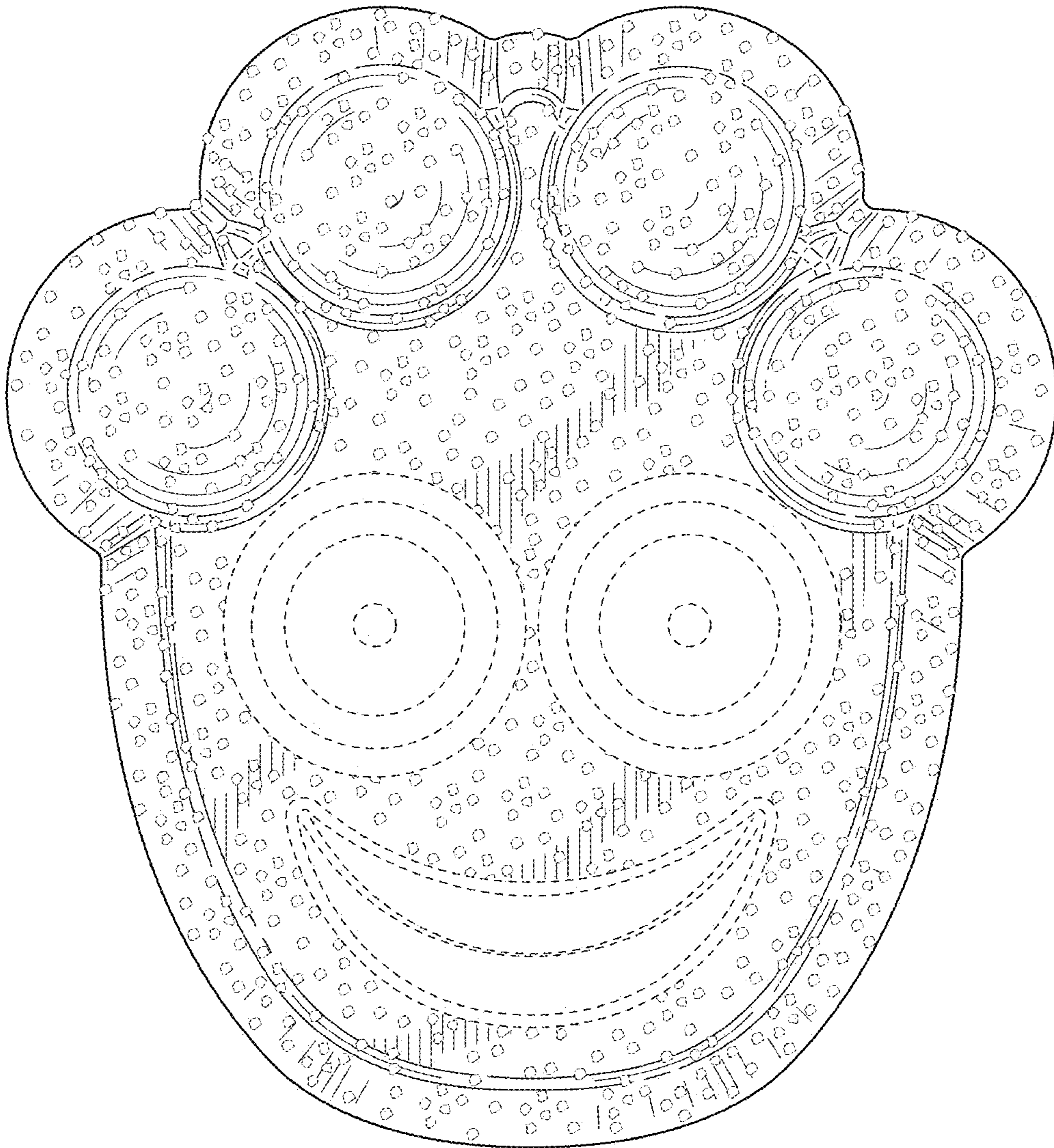


FIG. 9

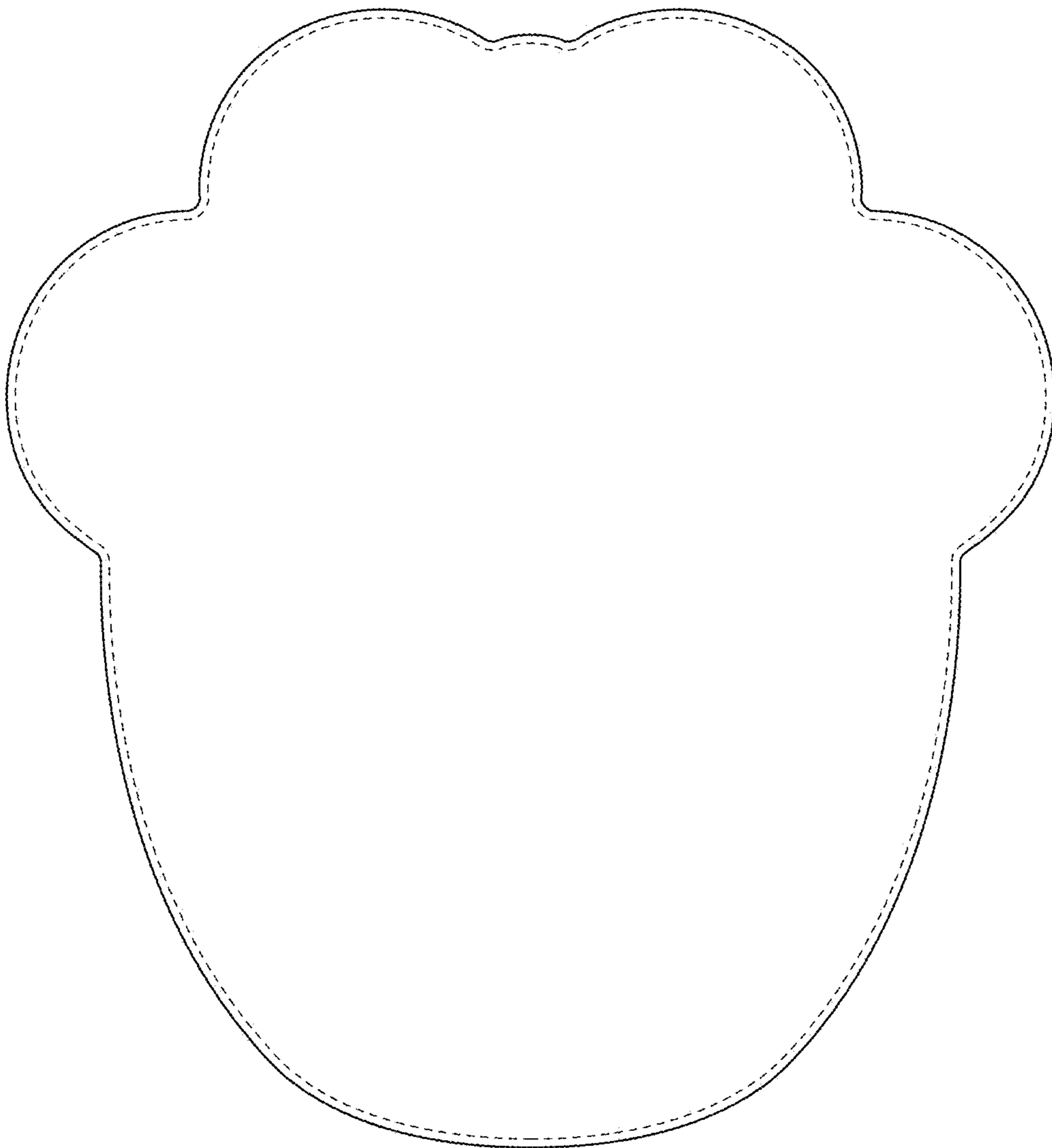


FIG. 10

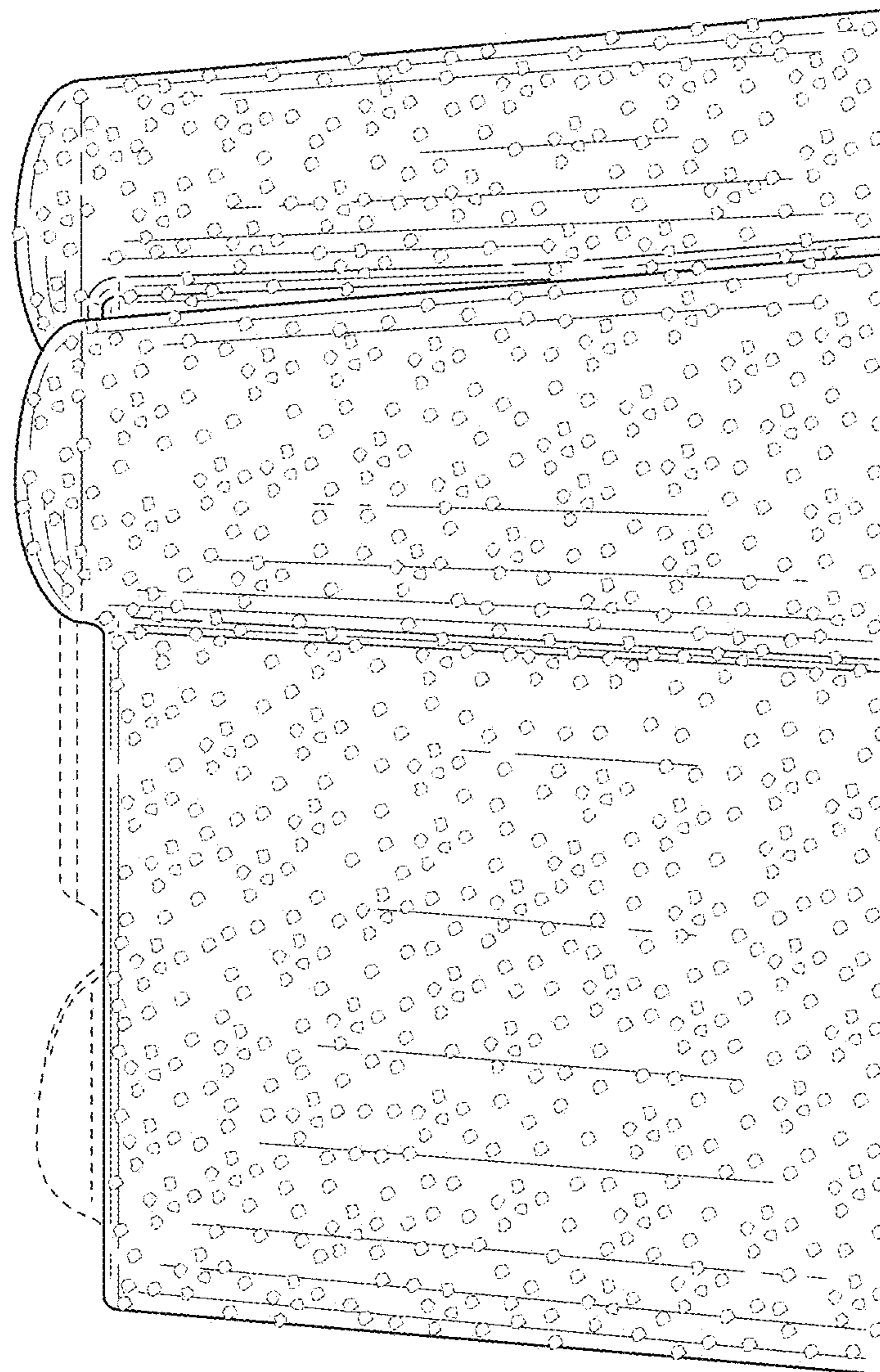


FIG. 11

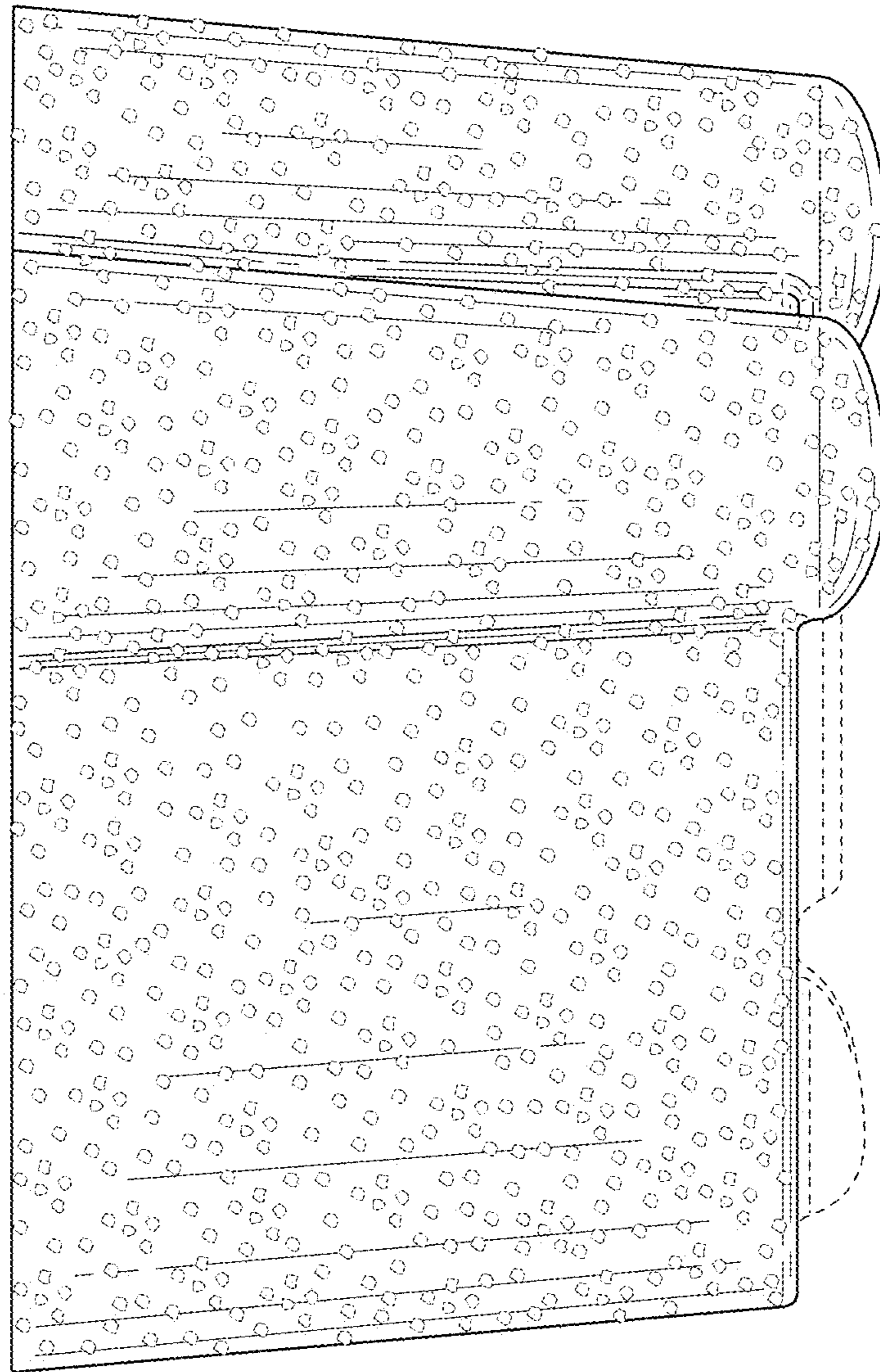


FIG. 12

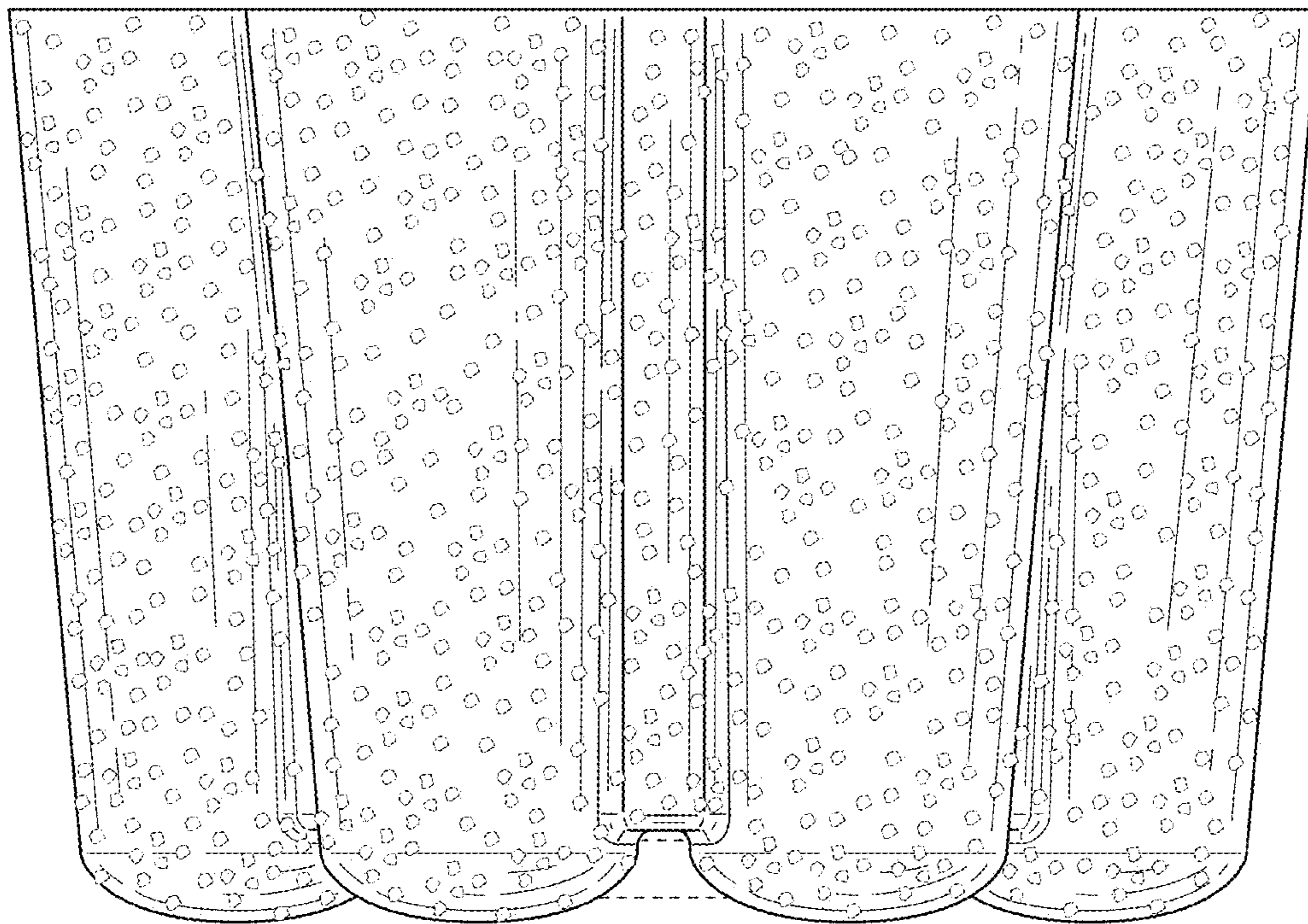


FIG. 13

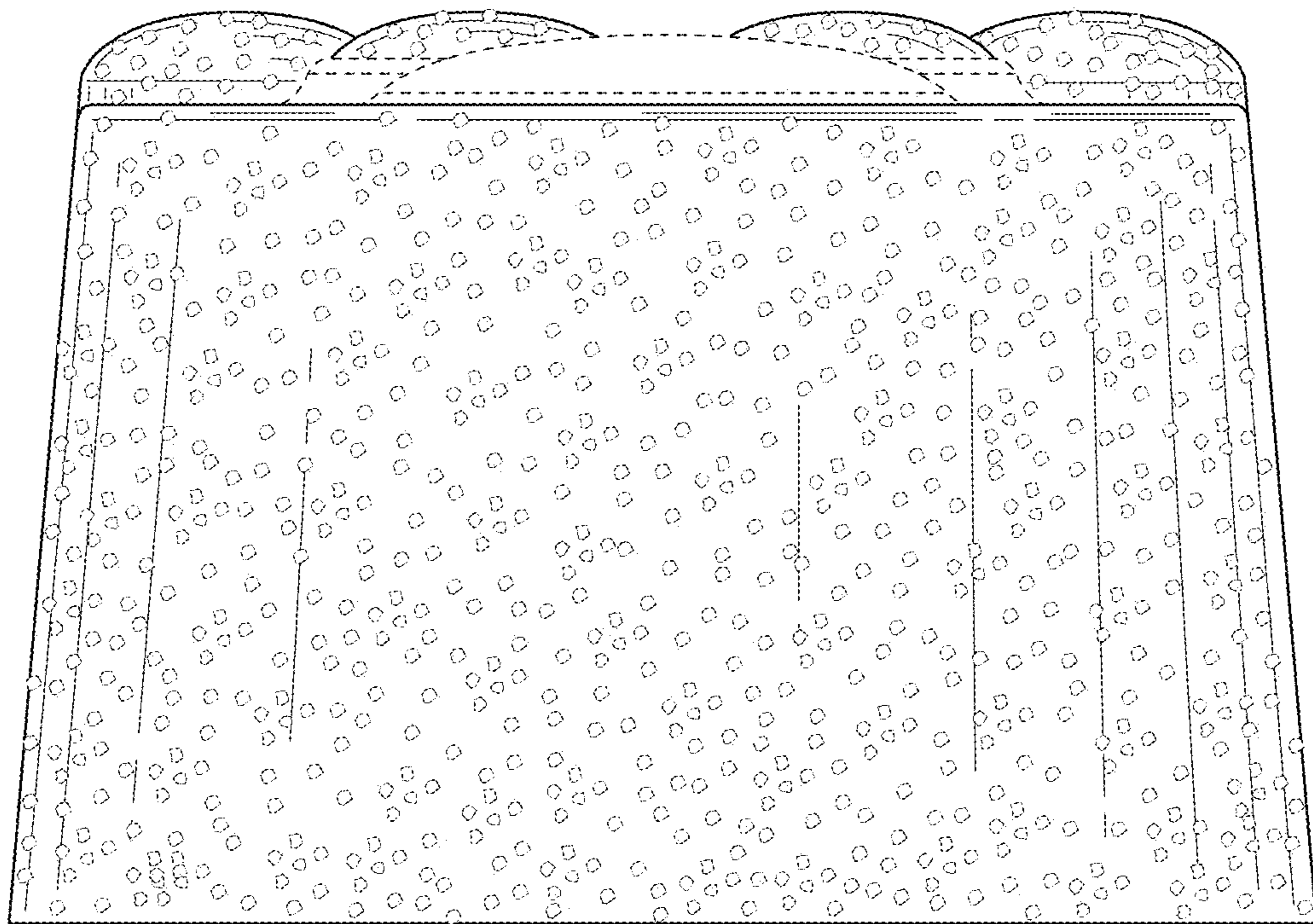


FIG. 14

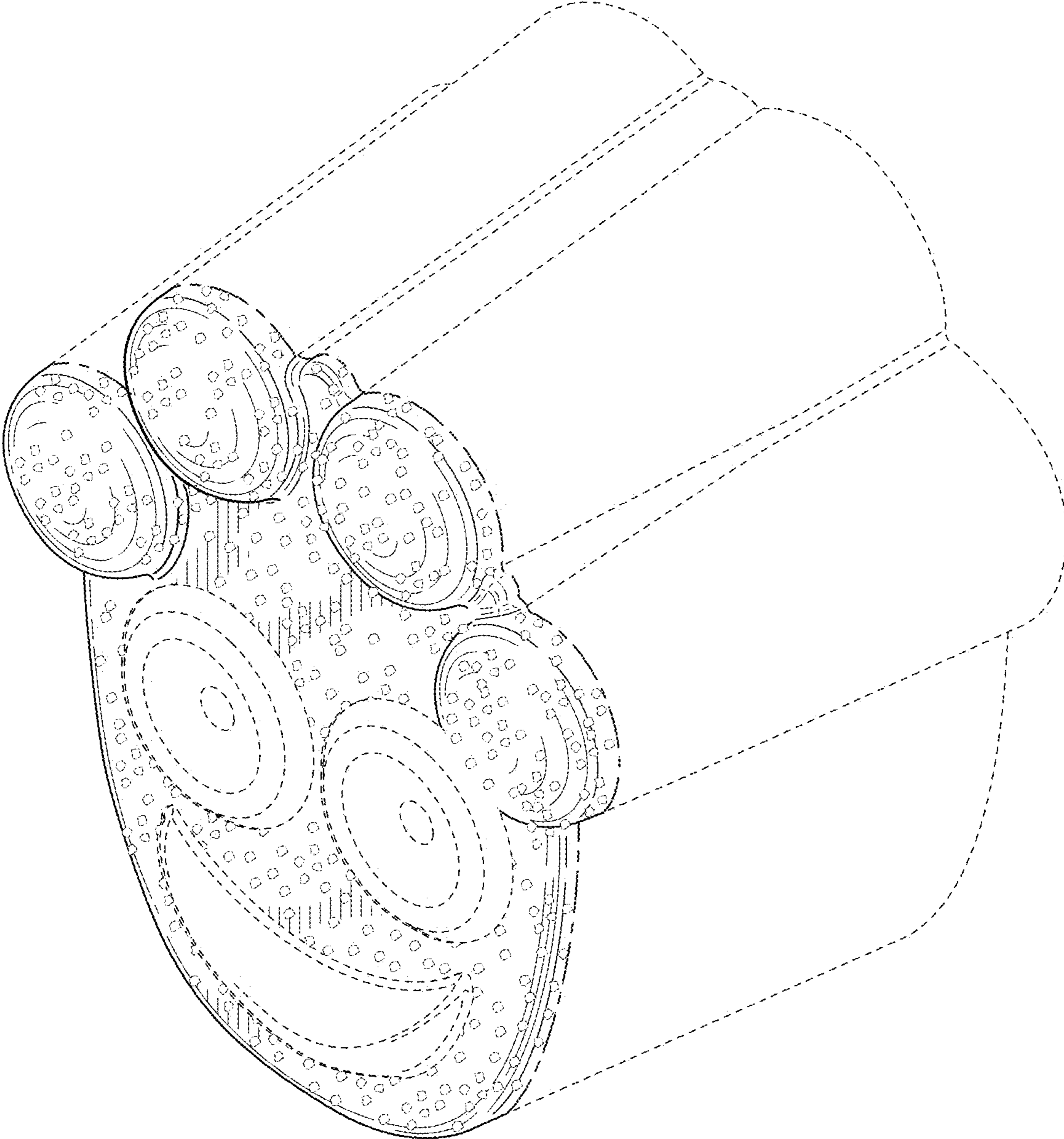


FIG. 15

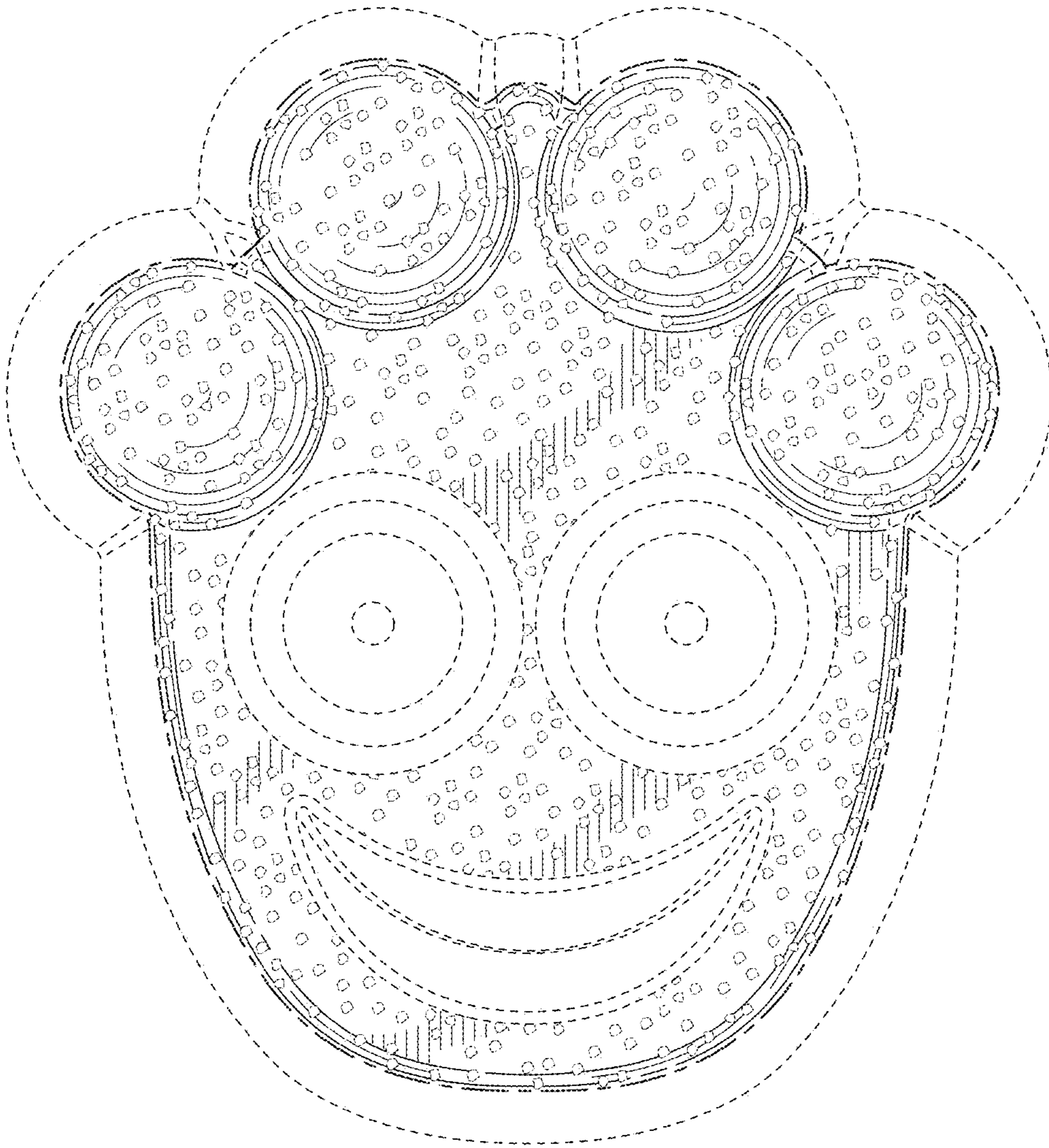


FIG. 16

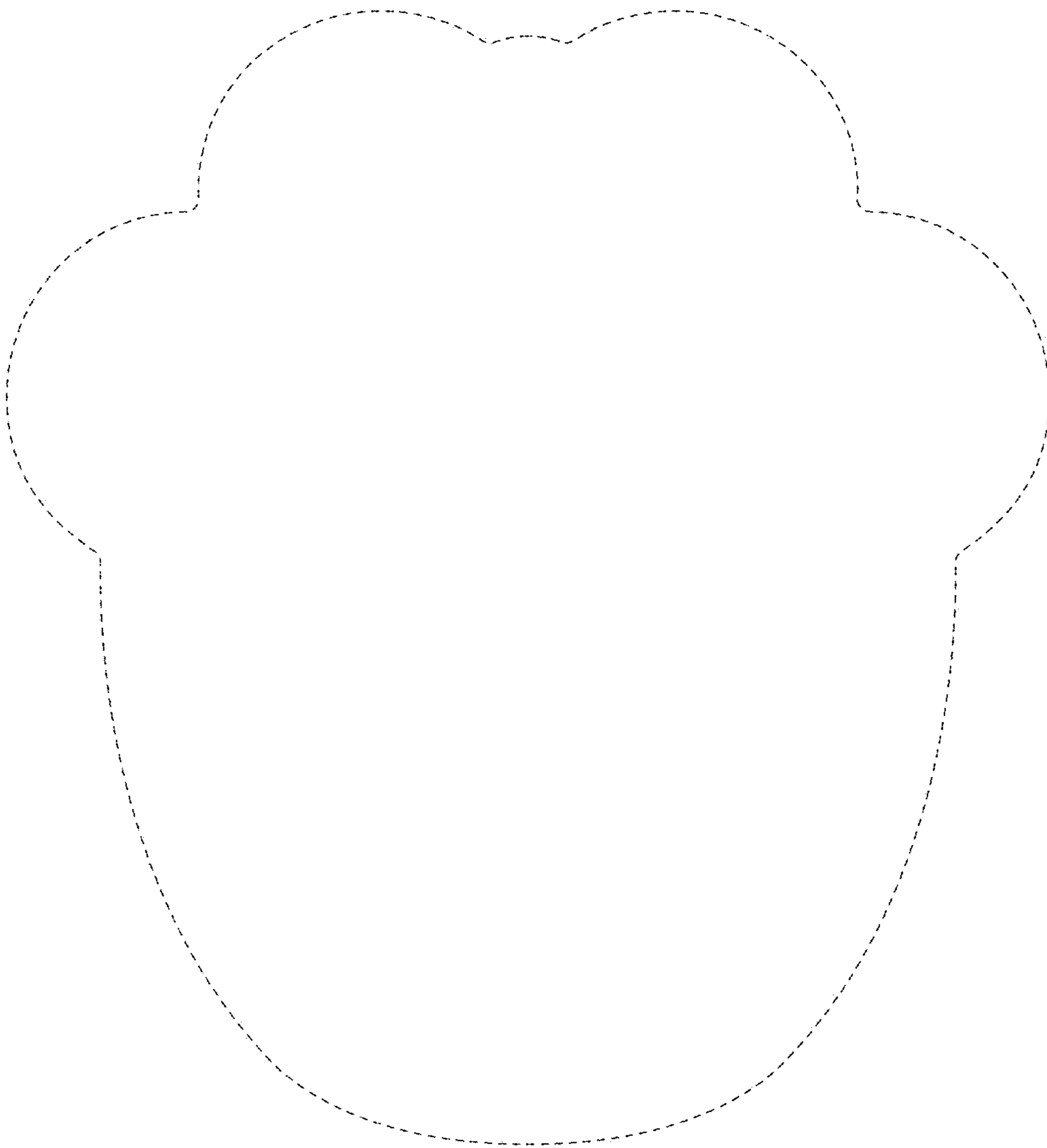


FIG. 17

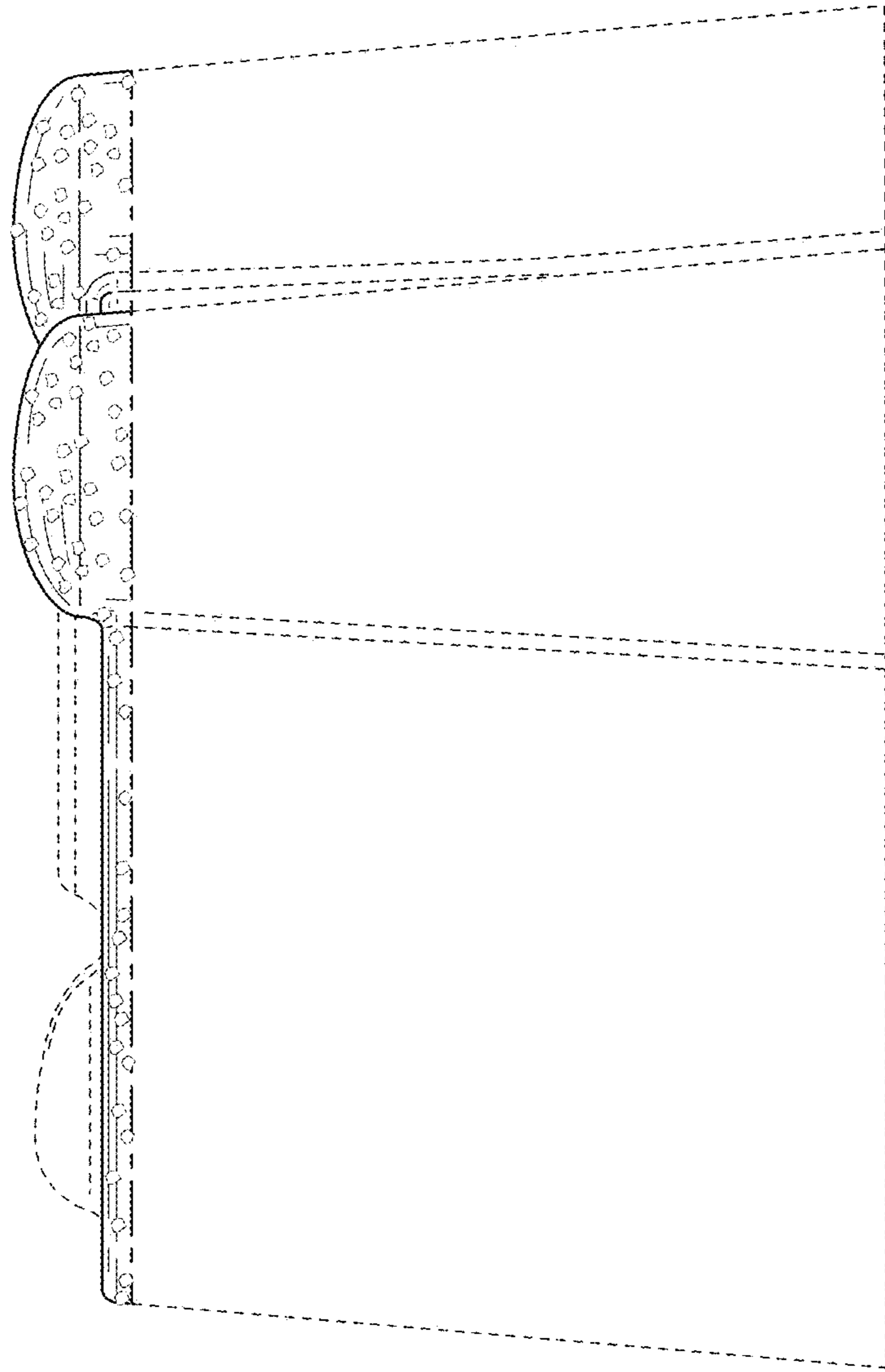


FIG. 18

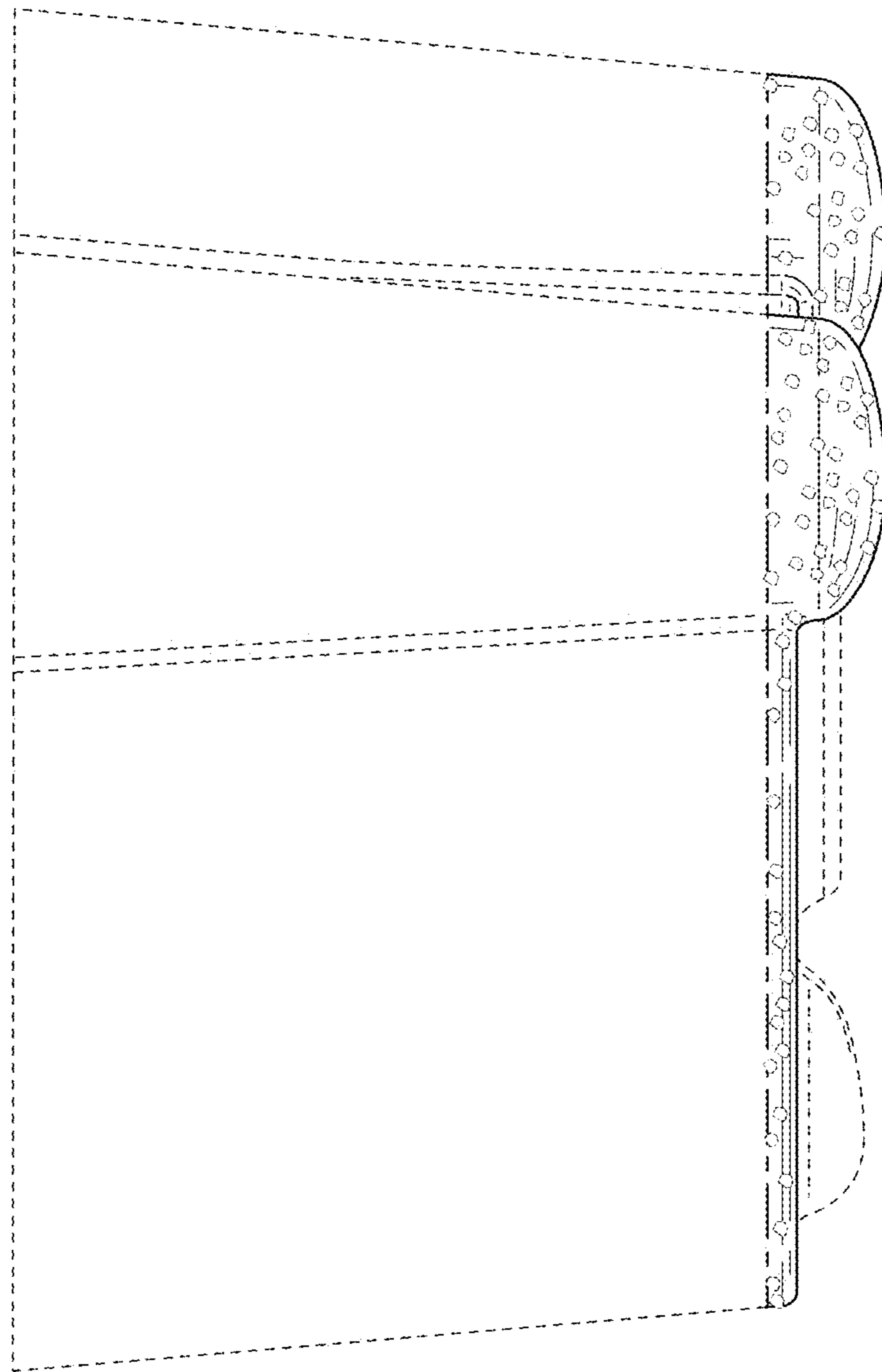


FIG. 19

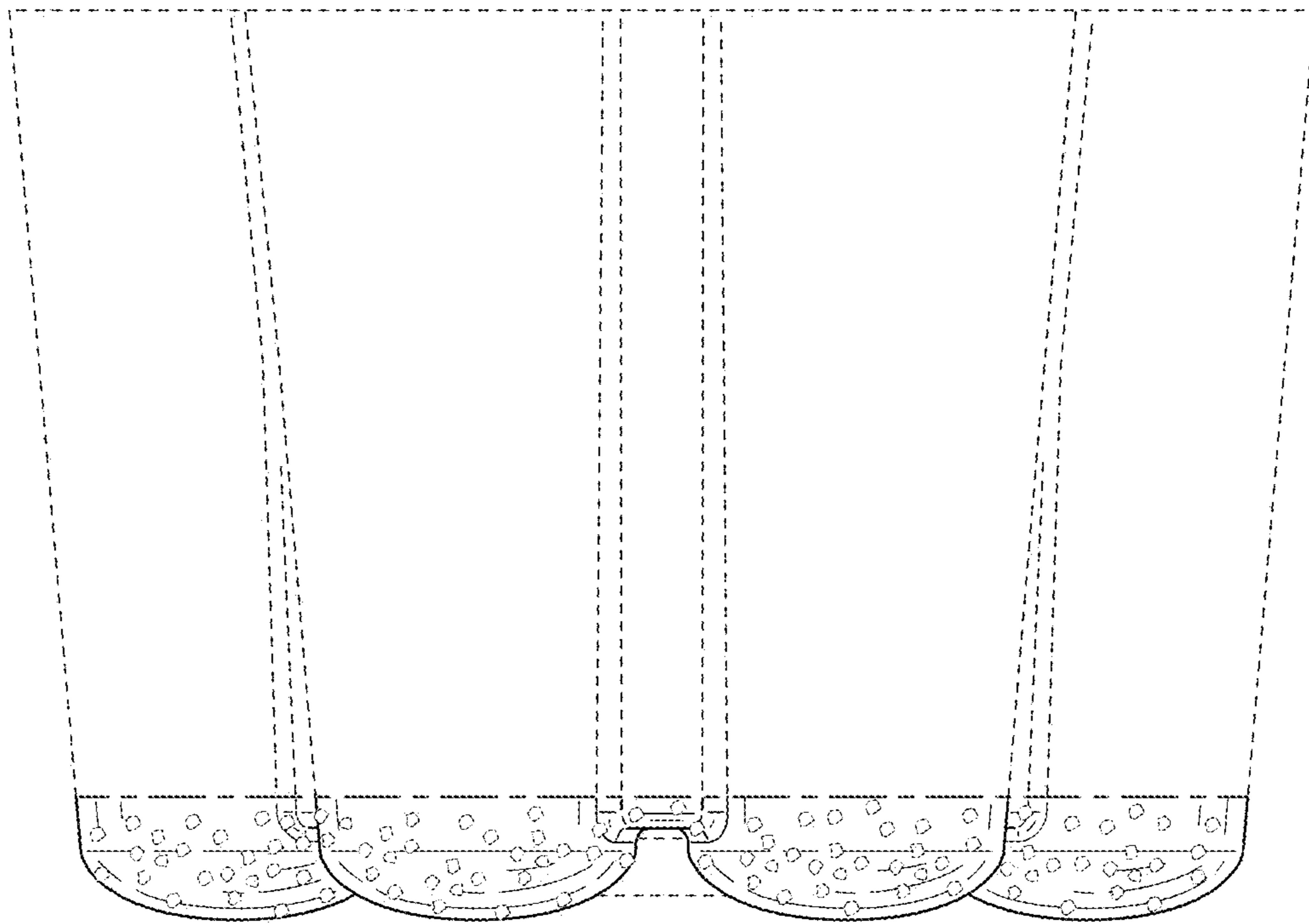


FIG. 20

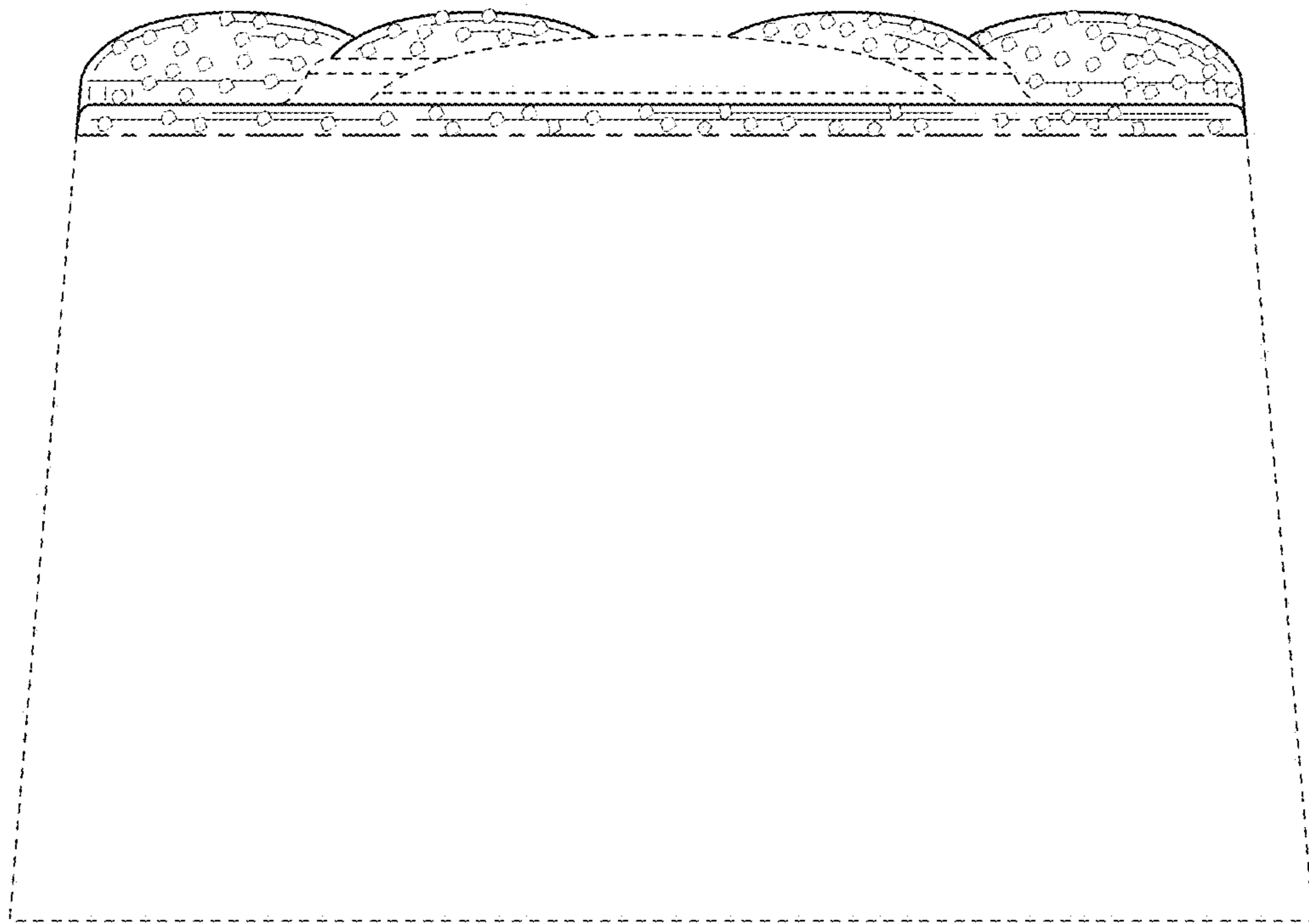


FIG. 21