



US00D939178S

(12) **United States Design Patent** (10) **Patent No.:** **US D939,178 S**  
**Churchvara et al.** (45) **Date of Patent:** **\*\* Dec. 21, 2021**

(54) **WHEEL BASE ASSEMBLY FOR CART HAVING A BRAKING MECHANISM**  
  
(71) Applicant: **Veltek Associates, Inc.**, Malvern, PA (US)  
  
(72) Inventors: **Jeffrey Churchvara**, Downingtown, PA (US); **Arthur L. Vellutato, Jr.**, Malvern, PA (US); **Yefim Gudesblat**, Exton, PA (US); **Vladislav Gudesblat**, Exton, PA (US)

(73) Assignee: **Veltek Associates, Inc.**, Malvern, PA (US)

(\*\*) Term: **15 Years**

(21) Appl. No.: **29/718,431**

(22) Filed: **Dec. 24, 2019**

**Related U.S. Application Data**

(60) Division of application No. 29/630,655, filed on Dec. 21, 2017, now Pat. No. Des. 871,708, which is a division of application No. 29/569,050, filed on Jun. 23, 2016, now Pat. No. Des. 809,730, which is a continuation-in-part of application No. 14/979,330, filed on Dec. 22, 2015, now Pat. No. 10,518,793.

(51) **LOC (13) Cl.** ..... **12-02**

(52) **U.S. Cl.**  
USPC ..... **D34/17**

(58) **Field of Classification Search**  
USPC ..... D34/12, 17, 23, 26  
CPC .. B62B 3/00; B62B 3/02; B62B 3/025; B62B 3/005; B62B 3/002; B62B 3/1404; B62B 3/04; B62B 3/001; B62B 3/027; B62B 5/04; B62B 5/0083; B62B 7/02  
See application file for complete search history.

(56) **References Cited**  
U.S. PATENT DOCUMENTS

274,258 A	3/1883	Bedell
1,103,689 A	7/1914	Russell
1,750,129 A	3/1930	Romine
2,070,095 A	2/1937	Shepard, Jr.
2,507,732 A	5/1950	Morgan
2,790,196 A	4/1957	Rideout et al.
3,023,021 A	2/1962	Fricke et al.
(Continued)		

FOREIGN PATENT DOCUMENTS

CN	2837167 Y	11/2006
CN	200957804 Y	10/2007
(Continued)		

OTHER PUBLICATIONS

Japanese Office Action & Machine Translation for Japanese Patent Application No. 2018-566218, dated Dec. 22, 2020, 5 pgs.  
(Continued)

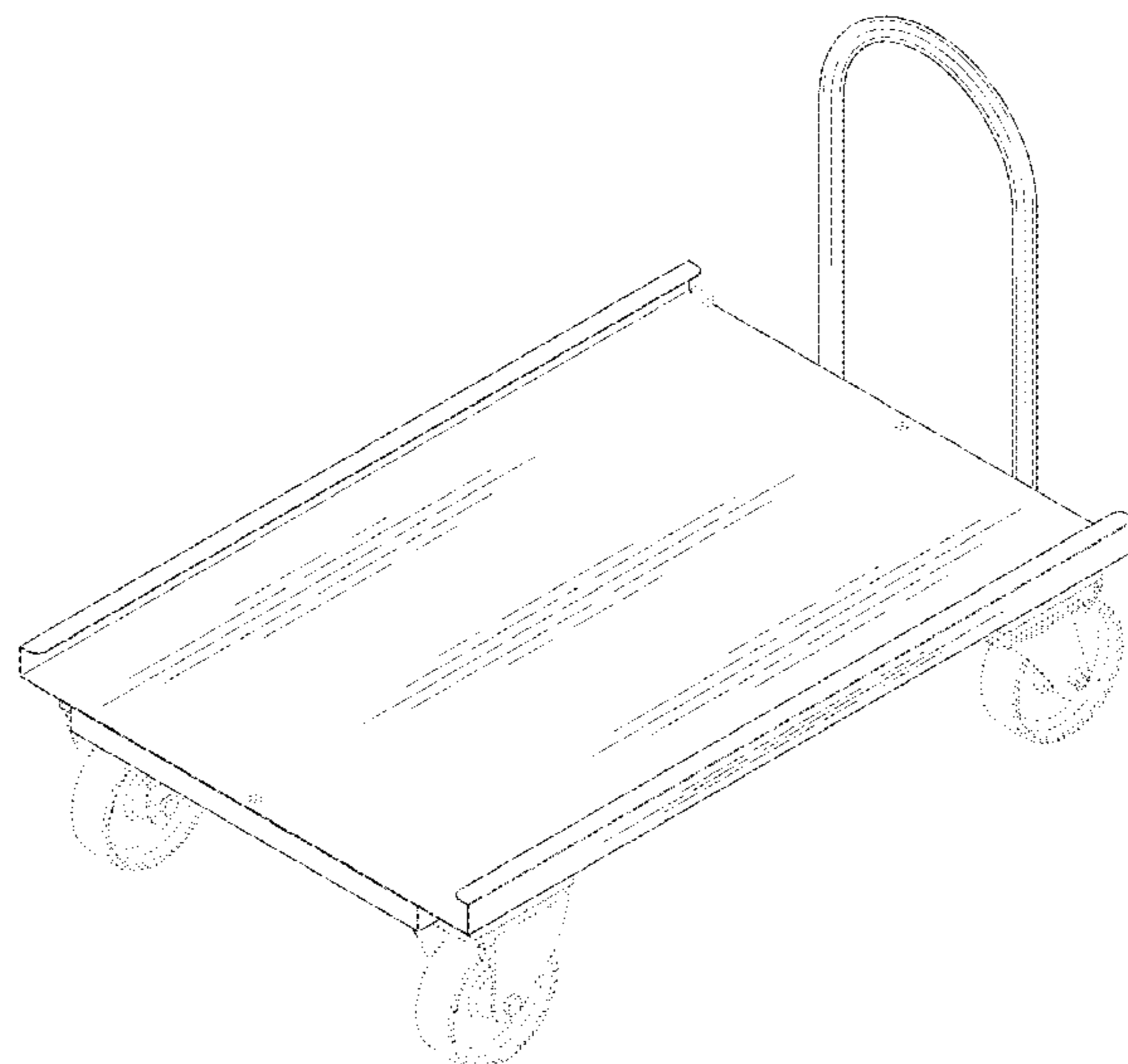
*Primary Examiner* — Cynthia Ramirez  
(74) *Attorney, Agent, or Firm* — Blank Rome LLP

(57) **CLAIM**  
The ornamental design for a wheel base assembly for a cart having a braking mechanism, as shown and described.

**DESCRIPTION**

FIG. 1 is a front perspective view of a wheel base assembly for a cart having a braking mechanism showing our new design;  
FIG. 2 is a rear perspective view thereof;  
FIG. 3 is a front view thereof;  
FIG. 4 is a rear view thereof;  
FIG. 5 is a left-side view thereof;  
FIG. 6 is a right-side view thereof;  
FIG. 7 is a top view thereof; and,  
FIG. 8 is a bottom view thereof.

**1 Claim, 8 Drawing Sheets**



# US D939,178 S

(56)

## References Cited

### U.S. PATENT DOCUMENTS

3,125,353	A	3/1964	Gohmann	
3,137,250	A	6/1964	Hutchinson	
3,521,568	A	7/1970	Kato et al.	
3,698,733	A	10/1972	Isaacs	
3,759,538	A	9/1973	Fabiano	
3,785,669	A	1/1974	Doheny	
3,830,164	A *	8/1974	Biessener	B61B 10/00 104/170
3,869,052	A	3/1975	Leahy	
3,934,895	A	1/1976	Fox	
4,077,644	A	3/1978	Roby	
4,109,926	A	8/1978	Lane	
4,222,580	A	9/1980	Krokonko	
4,354,791	A	10/1982	Antonellis	
4,436,700	A	3/1984	Erickson	
4,458,906	A	7/1984	Lamson	
4,557,201	A	12/1985	Webb, Jr.	
4,670,227	A	6/1987	Smith	
4,687,404	A	8/1987	Seiz et al.	
4,819,767	A	4/1989	Laird	
5,072,960	A	12/1991	Sperko	
5,175,014	A	12/1992	Brockwell et al.	
5,236,066	A	8/1993	O'Neal et al.	
D340,334	S *	10/1993	Kean	D34/17
D340,335	S	10/1993	Kean	
5,312,004	A	5/1994	Krummell et al.	
5,421,604	A	6/1995	Wu	
D363,588	S	10/1995	Bancroft	
5,667,236	A	9/1997	Murphy	
5,735,367	A	4/1998	Brubaker	
D395,113	S	6/1998	Pingel	
5,758,888	A	6/1998	Burgan et al.	
6,024,376	A	2/2000	Golichowski	
6,027,190	A	2/2000	Stewart et al.	
6,036,219	A	3/2000	Oefelein	
6,042,127	A	3/2000	Rupolo	
6,095,348	A	8/2000	Karashima	
6,247,769	B1	6/2001	Spitzer et al.	
6,308,967	B1	10/2001	Stallbaumer	
6,394,743	B1	5/2002	Marsden et al.	
6,398,283	B1	6/2002	Knudtson et al.	
6,416,143	B1	7/2002	Janson	
6,695,564	B2	2/2004	Pfisterer	
D521,709	S	5/2006	Johnson	
D523,201	S *	6/2006	Widmer	B62B 3/02 D34/12
7,673,889	B2	3/2010	Wells et al.	
D618,421	S	6/2010	Catron	
D618,422	S	6/2010	Catron	
8,033,554	B2	10/2011	Vieira	
8,104,775	B2	1/2012	Hadar et al.	
9,108,661	B2	8/2015	Suess	
D746,012	S *	12/2015	Walter	B62B 3/02 D34/12
D779,145	S	2/2017	Thuma	
D787,770	S	5/2017	Thuma	
9,738,465	B2	8/2017	Berghammer	
D837,475	S *	1/2019	Yeo	D34/17
D855,274	S *	7/2019	Kopp	D34/17
D856,620	S	8/2019	Walter	
D871,708	S *	12/2019	Churchvara	D34/27
10,518,793	B2	12/2019	Churchvara et al.	
D894,513	S *	8/2020	Sterns	D34/12
D898,315	S *	10/2020	Wernberg	B62B 3/00 D34/12

2002/0109368	A1	8/2002	Mink et al.
2003/0205873	A1	11/2003	Orozco
2003/0205875	A1	11/2003	Ondrasik et al.
2003/0205878	A1	11/2003	Martis et al.
2004/0011000	A1	1/2004	Lagerstedt
2004/0207168	A1	10/2004	Raab et al.
2005/0012286	A1	1/2005	Woodrow
2005/0023782	A1	2/2005	Nogaki

2006/0163828	A1 *	7/2006	Renz	B62B 3/02 280/79.11
2007/0216116	A1	9/2007	Gallea	
2007/0272518	A1	11/2007	Gaarden et al.	
2008/0042378	A1	2/2008	Dick et al.	
2008/0088082	A1	4/2008	Iino	
2009/0200773	A1	8/2009	Riddiford	
2011/0175307	A1	7/2011	Tsai	
2011/0253656	A1	10/2011	Vermeer	
2012/0153584	A1	6/2012	Ryan	
2012/0194050	A1	8/2012	Suess	
2012/0315117	A1	12/2012	Gilland	
2013/0146553	A1	6/2013	Preidt et al.	
2014/0375005	A1	12/2014	Lin	
2015/0014965	A1	1/2015	Gibson	
2015/0028616	A1	1/2015	Kroening et al.	
2016/0039443	A1 *	2/2016	Murakami	B62B 5/0033 180/19.1
2016/0101948	A1	4/2016	Berghammer	
2016/0185371	A1 *	6/2016	Churchvara	B62B 3/002 280/33.998
2016/0297458	A1	10/2016	Churchvara	
2017/0072978	A1	3/2017	Kopp	
2017/0259837	A1	9/2017	Arreola	
2017/0349198	A1	12/2017	DePadro	
2017/0349326	A1	12/2017	Zhou	
2018/0029623	A1	2/2018	Kalinowski	
2018/0037244	A1 *	2/2018	Jian	B62B 3/022
2020/0180439	A1 *	6/2020	Chung	B60L 15/2009
2020/0307667	A1 *	10/2020	Tang	B62B 5/0069
2020/0324799	A1 *	10/2020	Ritucci	B62B 3/007

### FOREIGN PATENT DOCUMENTS

CN	201914897	U	8/2011
CN	103448771	A	12/2013
CN	204605897	U	9/2015
CN	107207026	A	9/2017
DE	10065375-A11		7/2002
DE	202009004554	U1	7/2009
DE	202009004554	U1	8/2009
DE	202013102199	U1	6/2013
EP	0314176	A2	5/1989
FR	662367	A	8/1929
GB	674662	A	6/1952
GB	759549		10/1956
GB	2366258	A	3/2002
JP	58-095735	U	10/1955
JP	552103555	U	8/1977
JP	S541882	U	1/1979
JP	57-73269		5/1982
JP	S57-73269	U	5/1982
JP	58-95735	U	6/1983
JP	60-6667		1/1985
JP	S62502040	A	8/1987
JP	2-127588	U	10/1990
JP	H05000044	U	1/1993
JP	H6-3771	U	1/1994
JP	1995-231523	A	8/1995
JP	H0988952	A	3/1997
JP	2004-131001	A	4/2004
JP	2004286206	A	10/2004
JP	2005125858	A	5/2005
JP	2005178432	A	7/2005
JP	2006055230	A	3/2006
JP	3124422	U	8/2006
JP	3132308	U	6/2007
JP	2007137254	A	6/2007
JP	2012206607	A	10/2012
KP	10-2012-0081892	A	7/2012
WO	WO-2016/106219	A1	6/2016

### OTHER PUBLICATIONS

International Preliminary Report on Patentability issued in PCT/US2015/067110 dated May 20, 2017.  
International Search Report and Written Opinion issued in PCT/US2015/067110 dated May 20, 2016, 12 pages.

(56)

**References Cited**

OTHER PUBLICATIONS

English-language Summary of Office Action for KR-10-2017-7014768, dated Feb. 1, 2018, 1 page.  
Supplementary European Search Report for EP Application No. 15874251, dated Aug. 10, 2018, 8 pages.  
English-language Translation of Japanese Office Action for JP2017/534327, dated May 16, 2018, 3 pages.  
English-language translation of Office Action for Chinese Patent Application No. 2015/0069038.7, dated Sep. 4, 2018, 5 pages.  
International Search Report and Written Opinion for PCT/US18/38712, dated Aug. 3, 2018, 11 pages.  
Korean Office Action for KR-10-2017-7014768, dated Sep. 3, 2018, 8 pages.  
Examination Report for New Zealand Application No. 732617, dated Jul. 25, 2018, 3 pages.  
Examination Report for Indian Application No. 201817045836, dated Jul. 17, 2020, 5 pgs.  
JP Office Action & Machine Translation for Japanese Patent Application No. 2018-566218, dated Aug. 17, 2020, 6 pgs.  
Supplementary Partial European Search Report for EP 18824388, dated May 3, 2021, 9 pgs.

Chinese Office Action & Machine Translation for Chinese Patent Application No. 2017800373121, dated Sep. 16, 2020, 23 pgs.  
JP Office Action dated Apr. 22, 2020 cited in Japanese Patent Application No. 2019-106526.  
Supplementary European Search Report for EP17815974, dated Dec. 10, 2019, 11 pages.  
Office Action issued in related Japanese application No. 2018-566218 dated Apr. 23, 2021, with translation.  
Communication pursuant to Article 94(3) EPC issued in related European application No. 15874251.0, dated May 7, 2021.  
JP Office Action & Machine Translation for Japanese Patent Application No. 2019-106526, dated Sep. 7, 2020, 9 pgs.  
First Examination Report for IN Application No. 201917047848, dated Jul. 12, 2021.  
Office Action for JP Application No. 2020-188174, dated Jun. 29, 2021.  
Office Action received in JP Application No. 2020-188175, dated Aug. 11, 2021.  
Office Action received in JP Application No. 2019-571745, dated Aug. 27, 2021.

\* cited by examiner

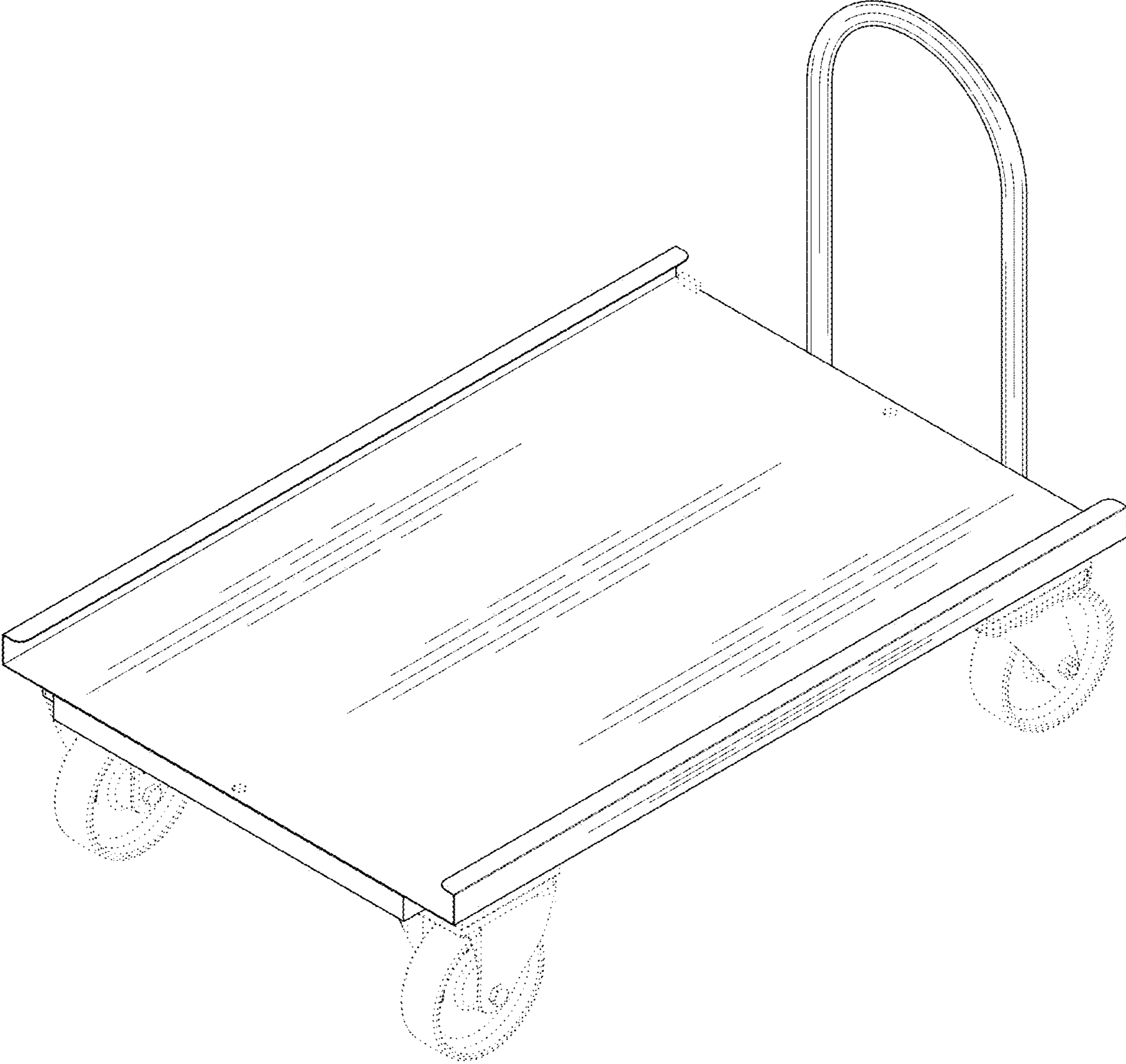


FIG. 1

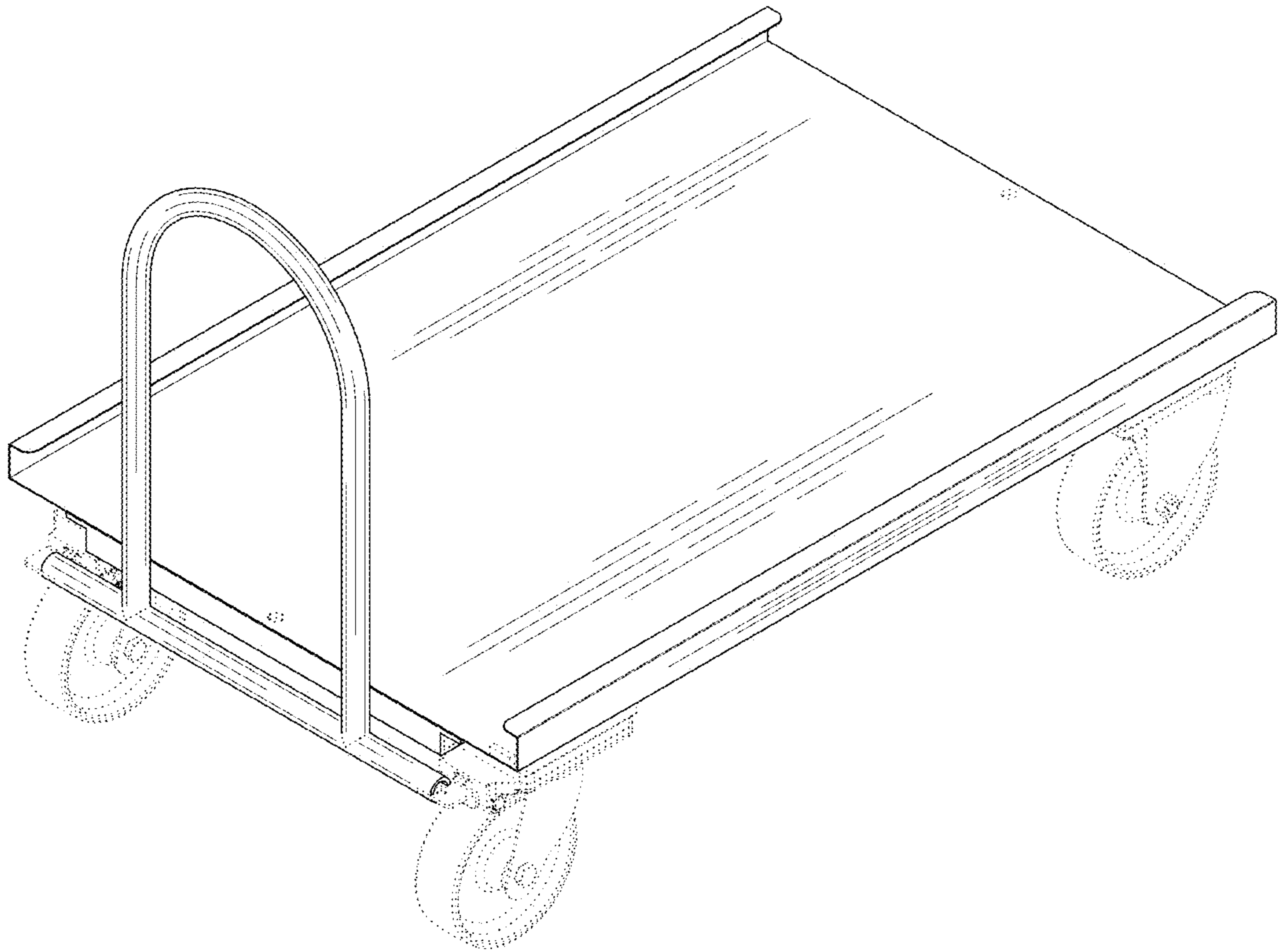


FIG. 2

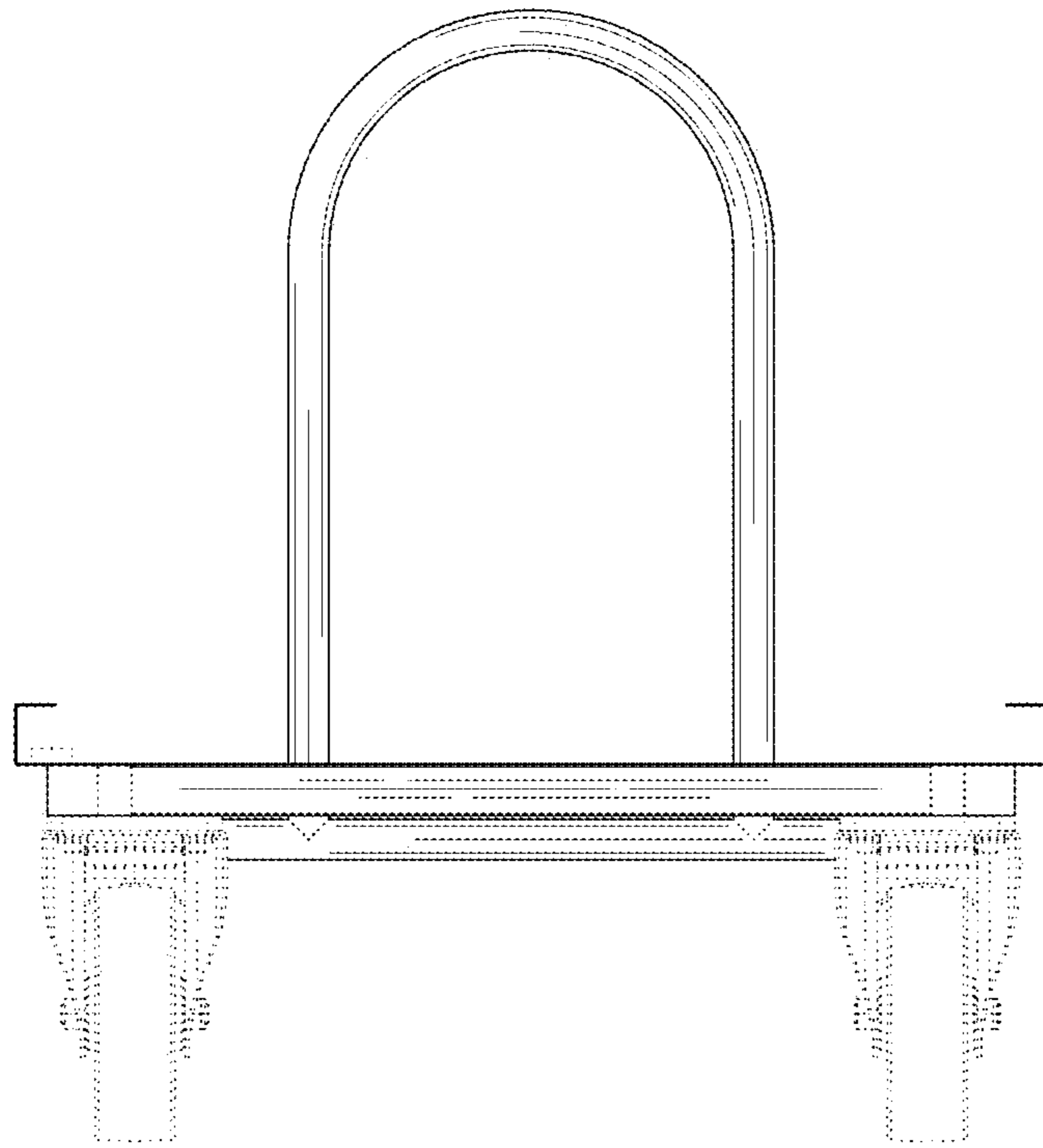


FIG. 3

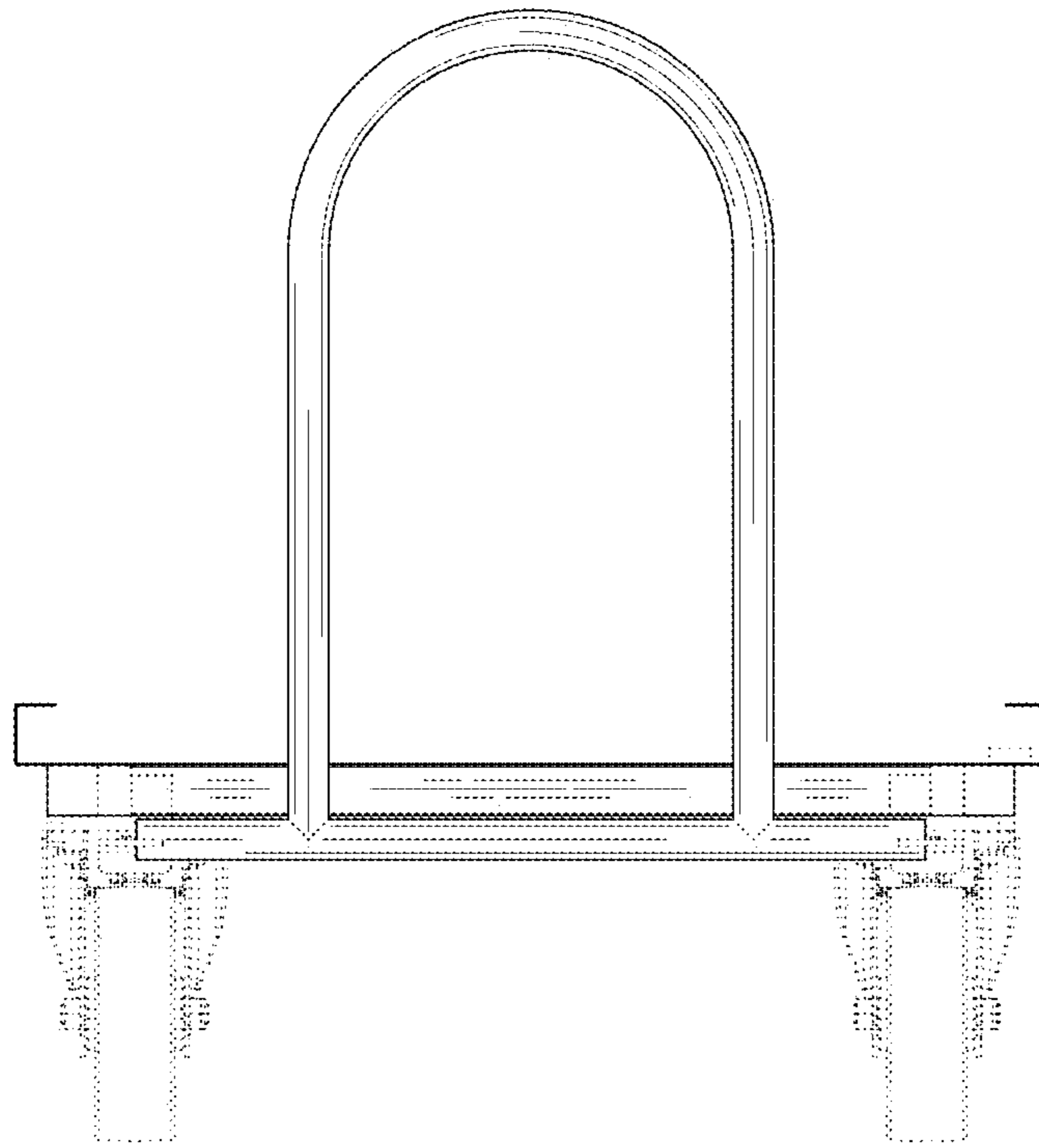


FIG. 4

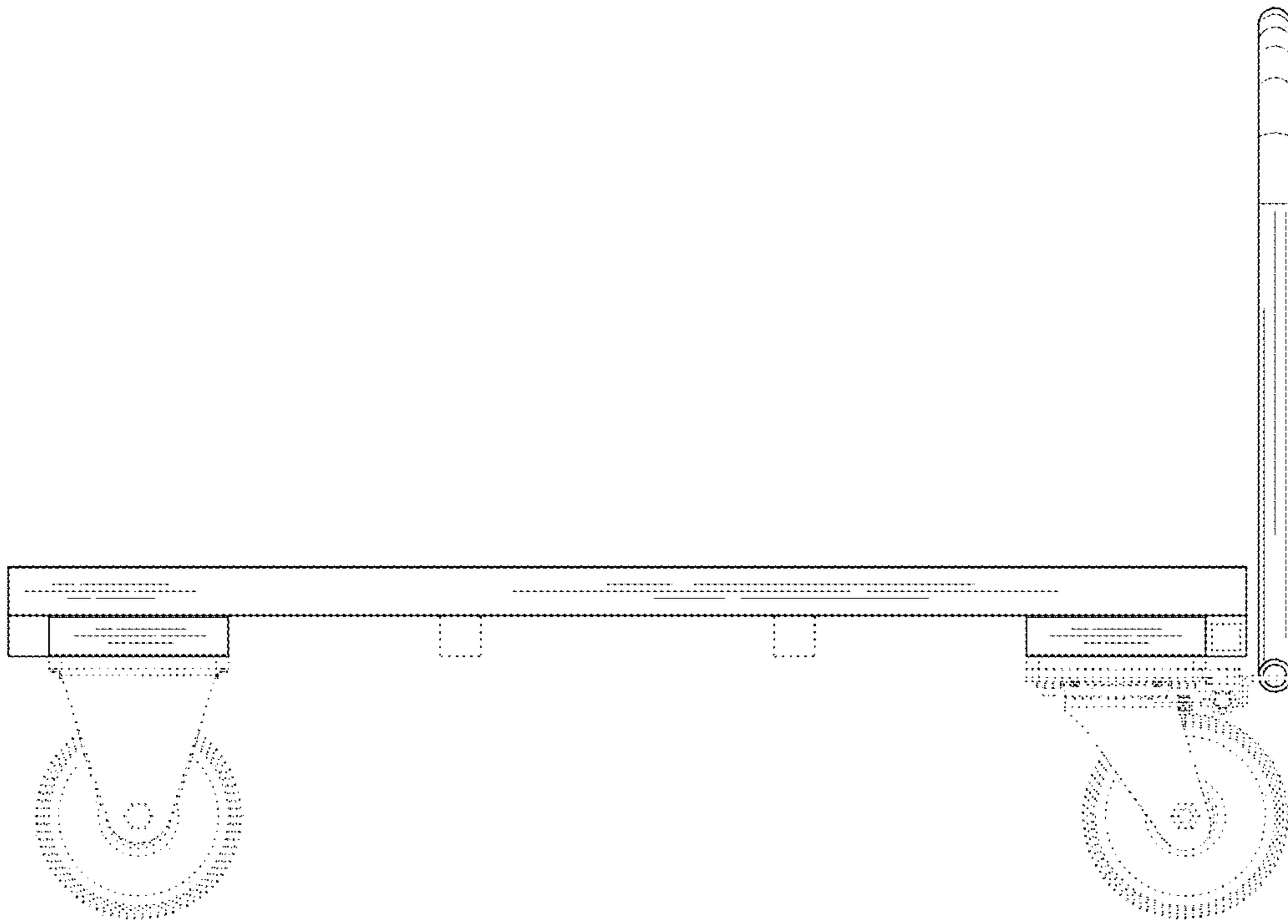


FIG. 5



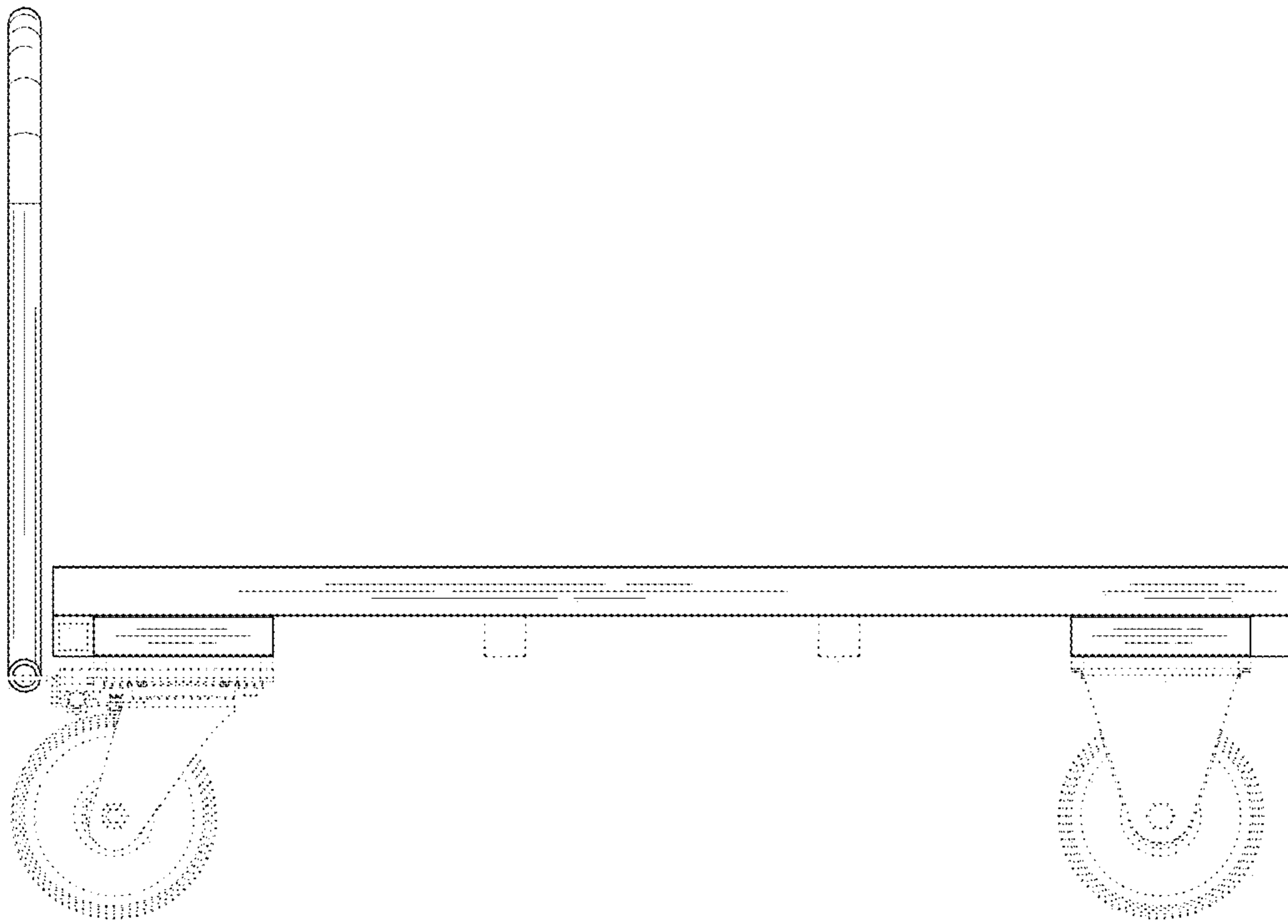


FIG. 6

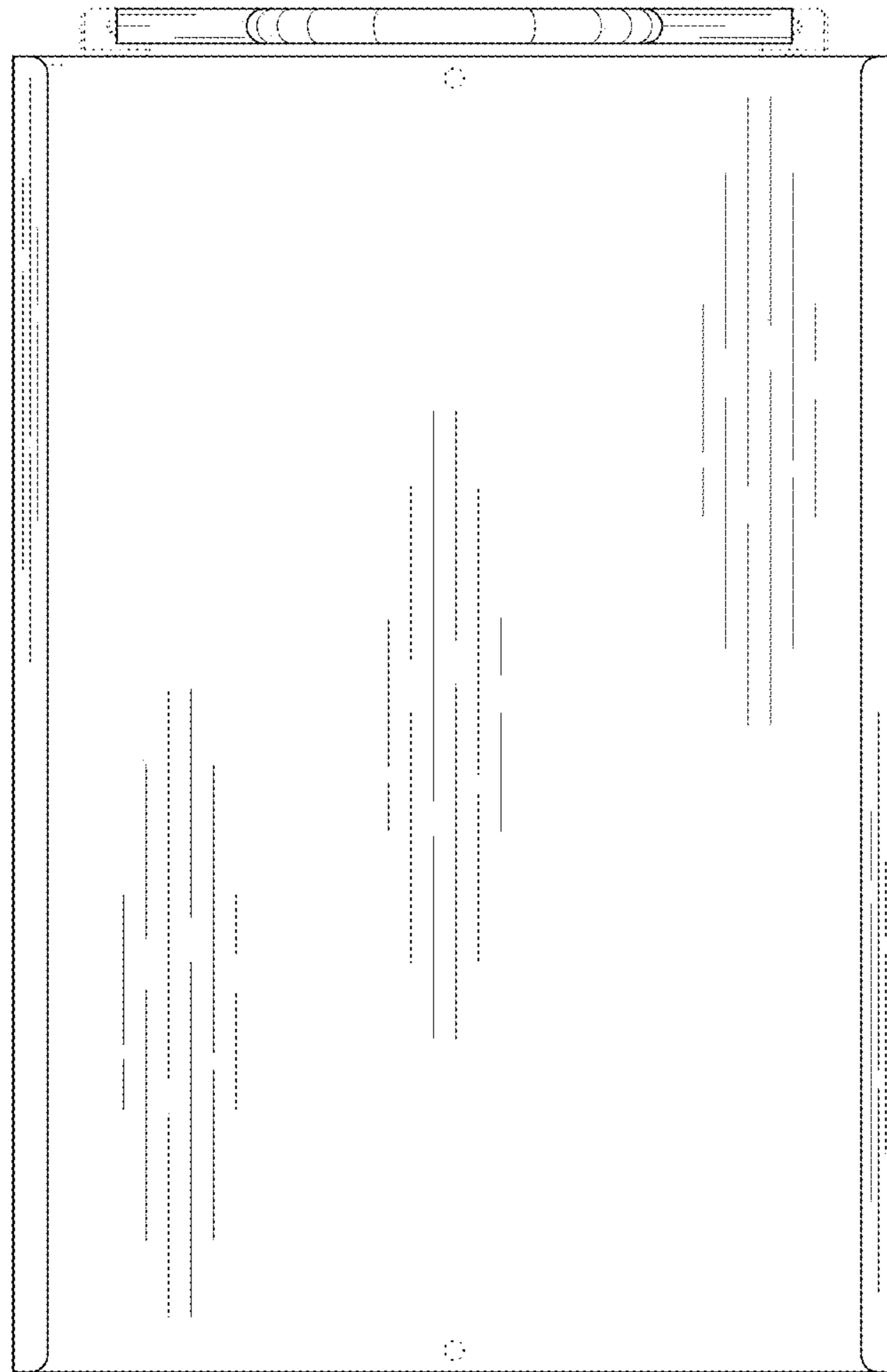


FIG. 7

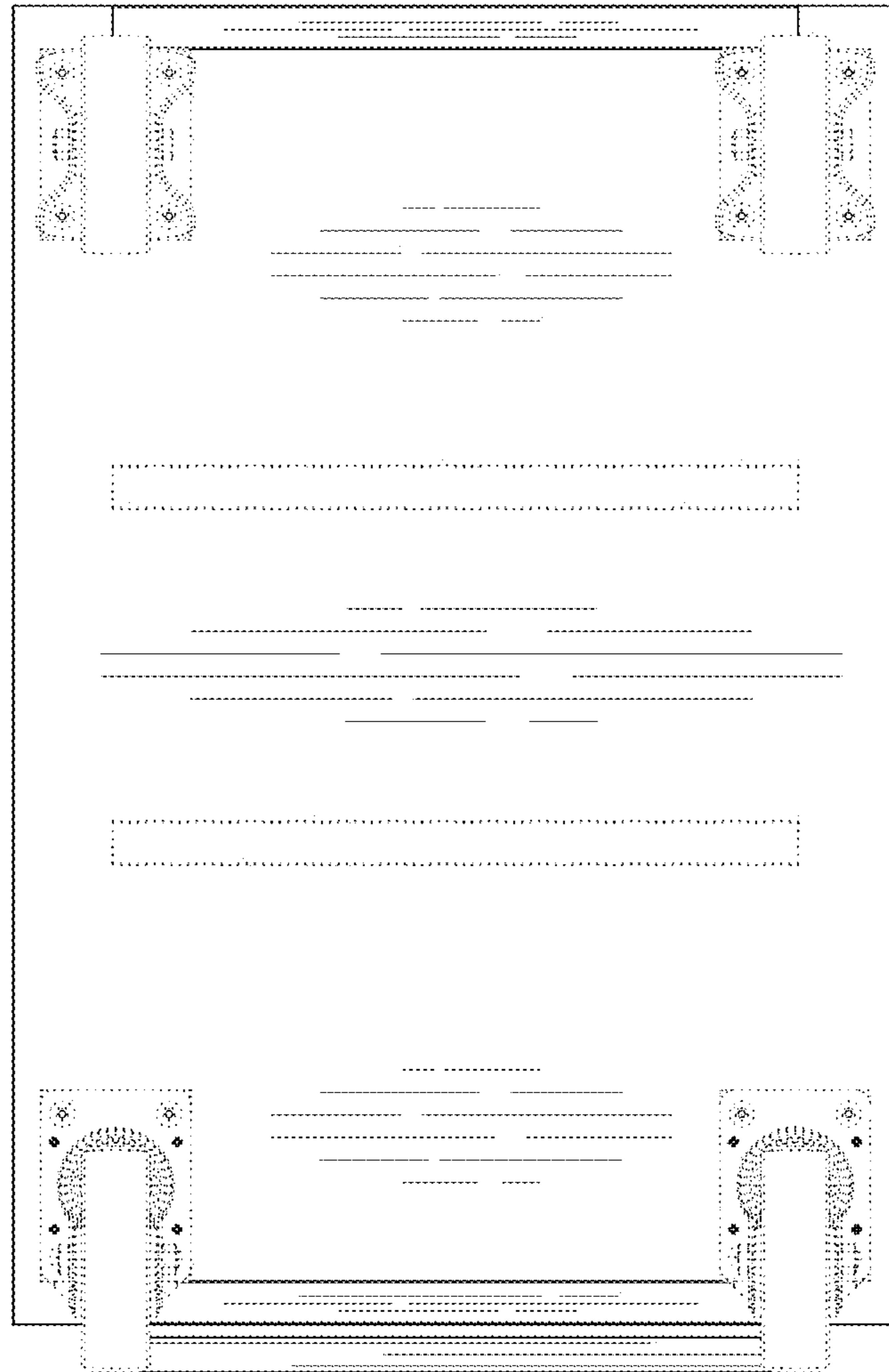


FIG. 8