

US00D939177S

(12) **United States Design Patent**  
**Lindsey et al.**

(10) **Patent No.:** **US D939,177 S**

(45) **Date of Patent:** **\*\* Dec. 21, 2021**

(54) **CART**

(71) Applicant: **Channel Products, Inc.**, Solon, OH (US)

(72) Inventors: **Teresa Lindsey**, Bratenahl, OH (US); **Richard Pennell**, Cleveland, OH (US); **Patrick W. Brown**, Cleveland Heights, OH (US); **Peter N. Whitworth**, Northfield, OH (US); **Jamie A. Horvath**, Twinsburg, OH (US)

(73) Assignee: **CHANNEL PRODUCTS, INC.**, Solon, OH (US)

(\*\*) Term: **15 Years**

(21) Appl. No.: **29/727,533**

(22) Filed: **Mar. 11, 2020**

(51) **LOC (13) Cl.** ..... **12-02**

(52) **U.S. Cl.**  
USPC ..... **D34/14**

(58) **Field of Classification Search**  
USPC ..... D34/12, 14, 17, 19, 20, 21, 25  
CPC .. B62B 1/00; B62B 1/008; B62B 1/12; B62B 3/002; B62B 3/006; B62B 3/02; B62B 3/10; B62B 5/0083

See application file for complete search history.

(56) **References Cited**

**U.S. PATENT DOCUMENTS**

D185,939 S \* 8/1959 Frick ..... D7/305  
D234,078 S \* 1/1975 Emanuele ..... D34/20

D254,468 S \* 3/1980 Cox ..... D34/20  
D272,111 S \* 1/1984 Anzalone ..... D34/20  
D383,583 S \* 9/1997 Ashinhurst ..... D34/20  
D406,354 S \* 3/1999 Horton ..... D25/16  
D409,810 S \* 5/1999 Ambrose ..... D34/20  
D683,513 S \* 5/2013 Wei ..... D34/19  
D886,403 S \* 6/2020 Heck ..... D34/21  
D927,116 S \* 8/2021 Demartini ..... D34/12

\* cited by examiner

*Primary Examiner* — Cynthia Ramirez

(74) *Attorney, Agent, or Firm* — Tucker Ellis LLP; Heather M. Barnes; Michael G. Craig

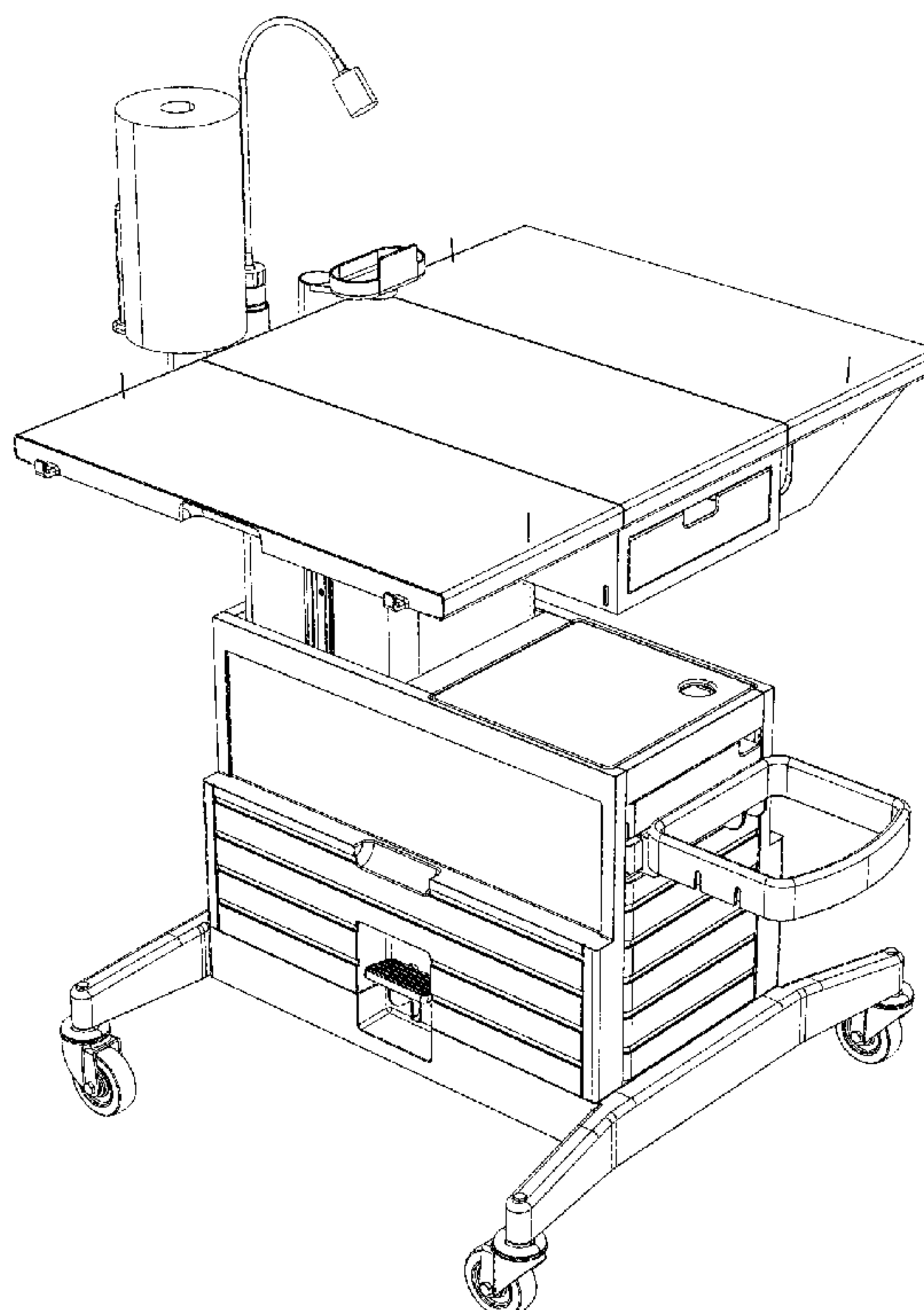
(57) **CLAIM**

The ornamental design for an cart, as shown and described.

**DESCRIPTION**

FIG. 1 is a front-top-left perspective view of an cart showing our new design;  
FIG. 2 is a front-top-right perspective view thereof;  
FIG. 3 is a rear-top-right perspective view thereof;  
FIG. 4 is a rear-top-left perspective view thereof;  
FIG. 5 is a front-bottom-left perspective view thereof;  
FIG. 6 is a front-bottom-right perspective view thereof;  
FIG. 7 is a rear-bottom-right perspective view thereof;  
FIG. 8 is a rear-bottom-left perspective view thereof;  
FIG. 9 is a front view thereof;  
FIG. 10 is a rear view thereof;  
FIG. 11 is a left view thereof;  
FIG. 12 is a right view thereof;  
FIG. 13 is a top view thereof; and,  
FIG. 14 is a bottom view thereof.

**1 Claim, 14 Drawing Sheets**



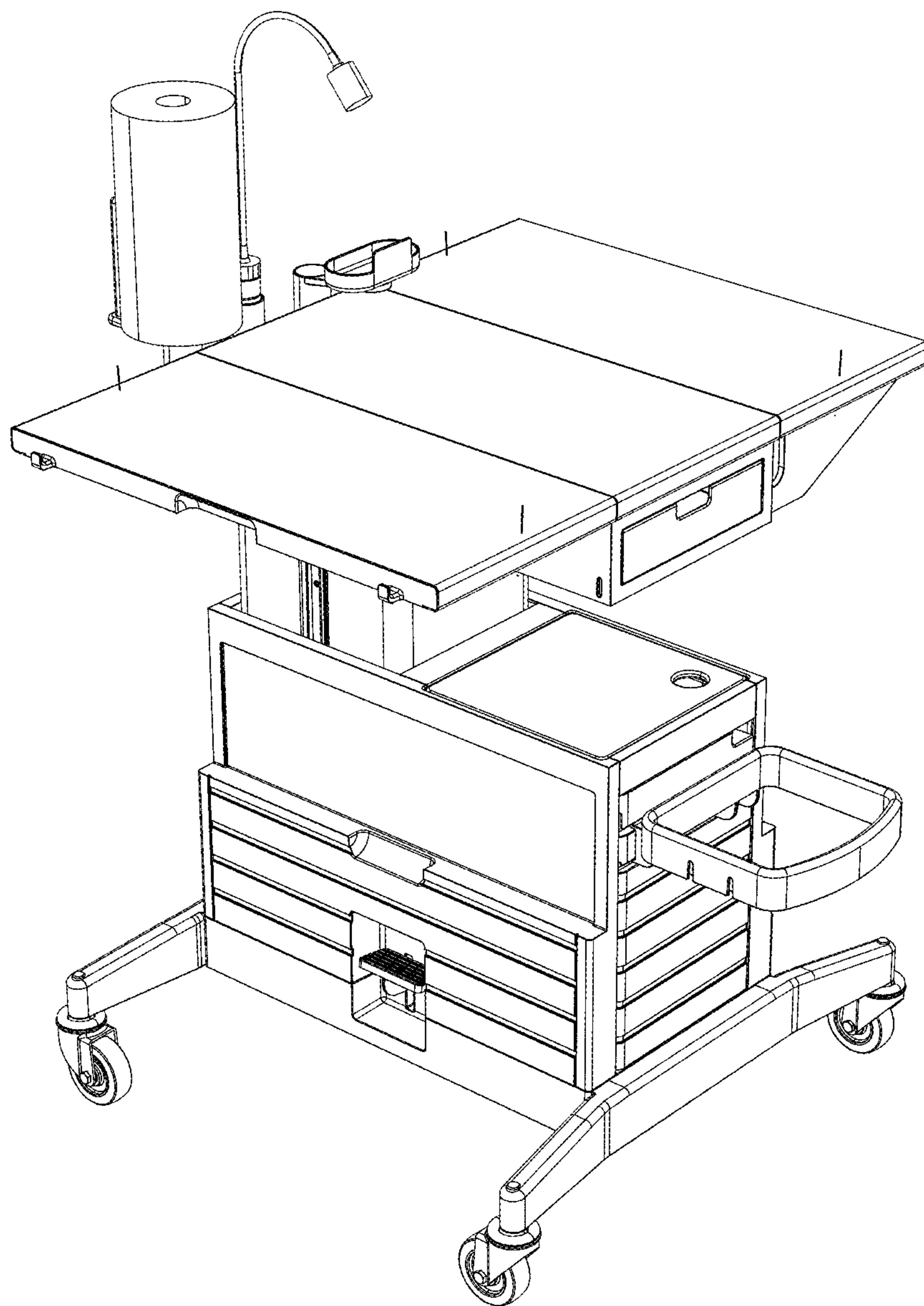


FIG. 1

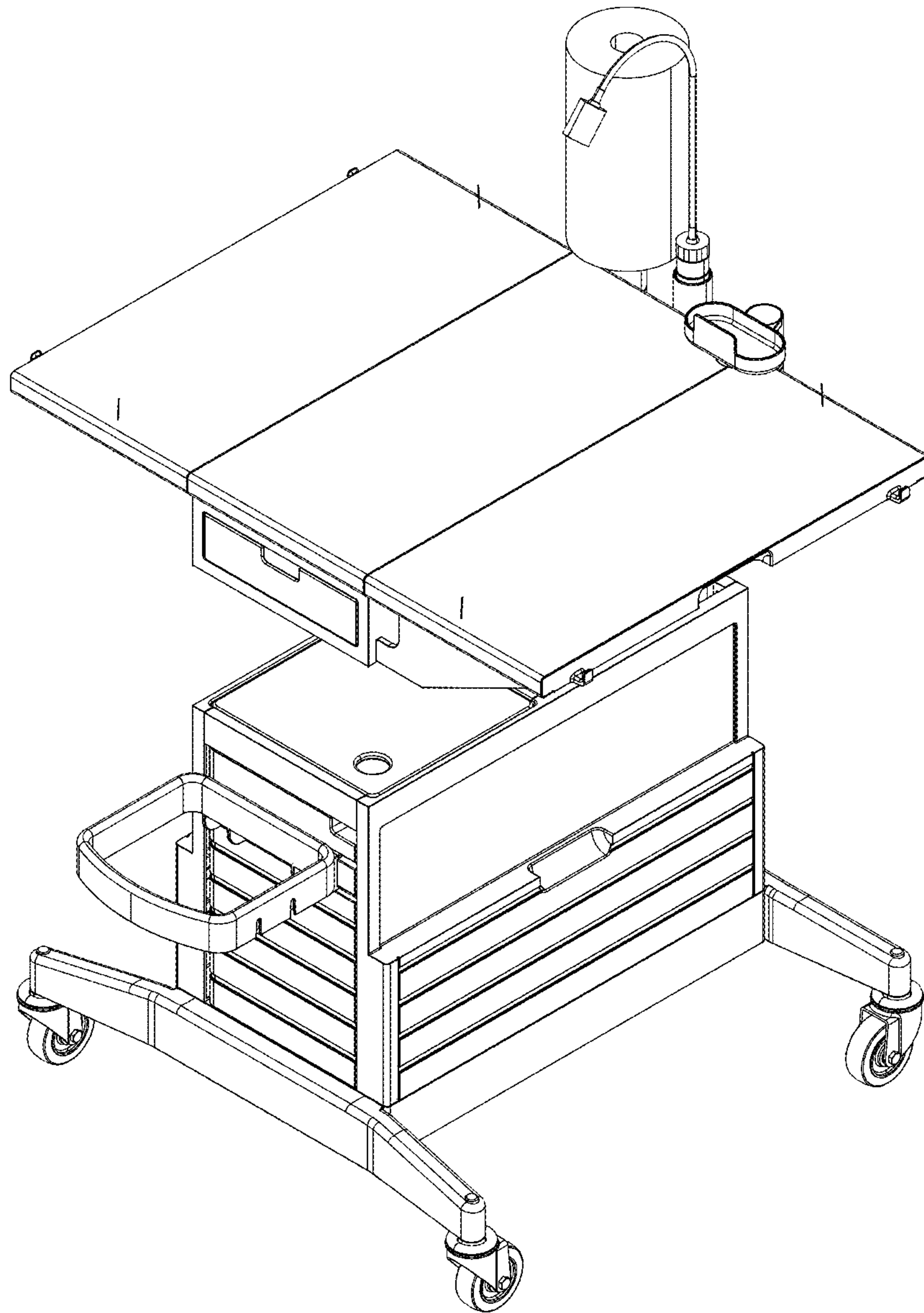
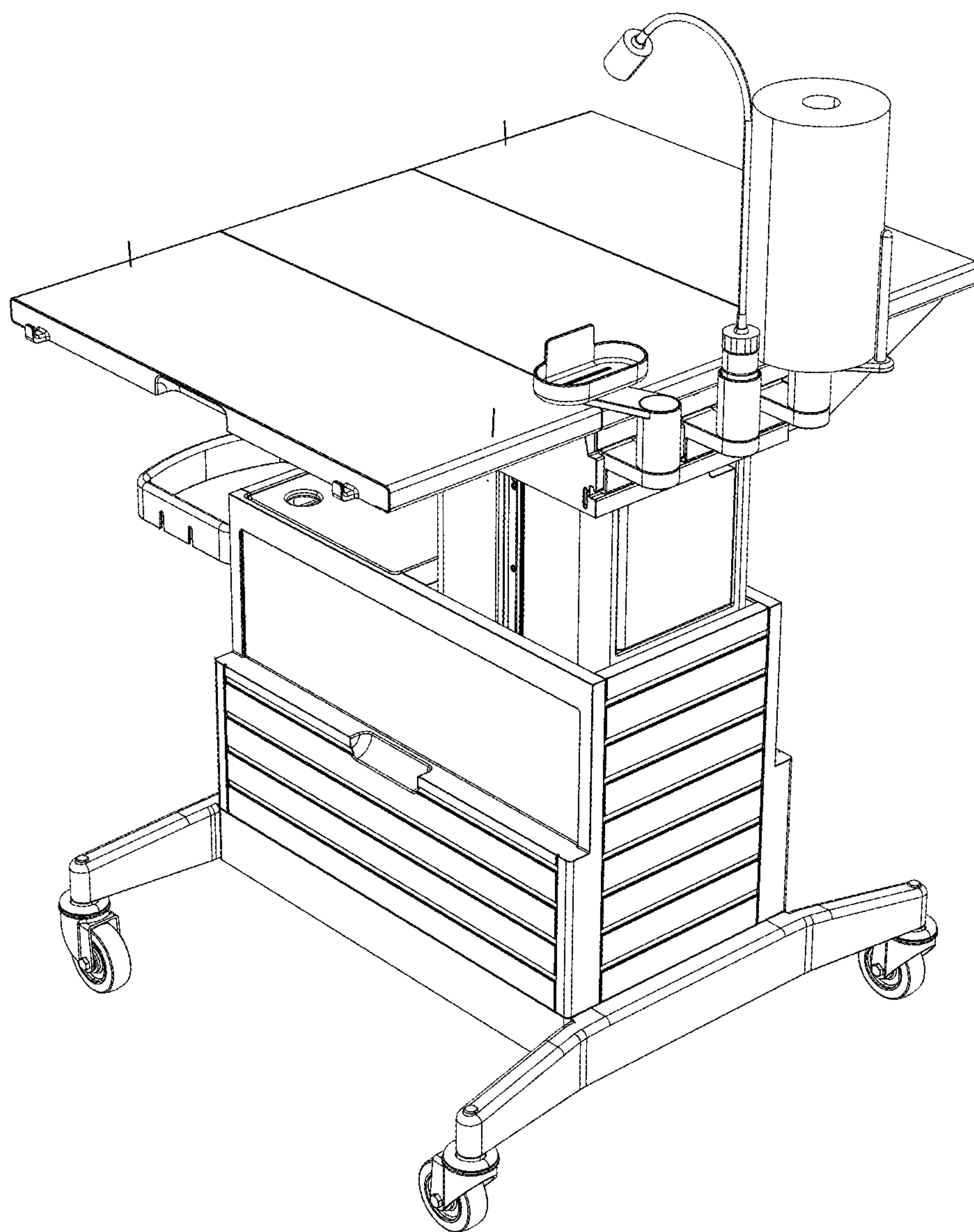


FIG. 2





**FIG. 3**

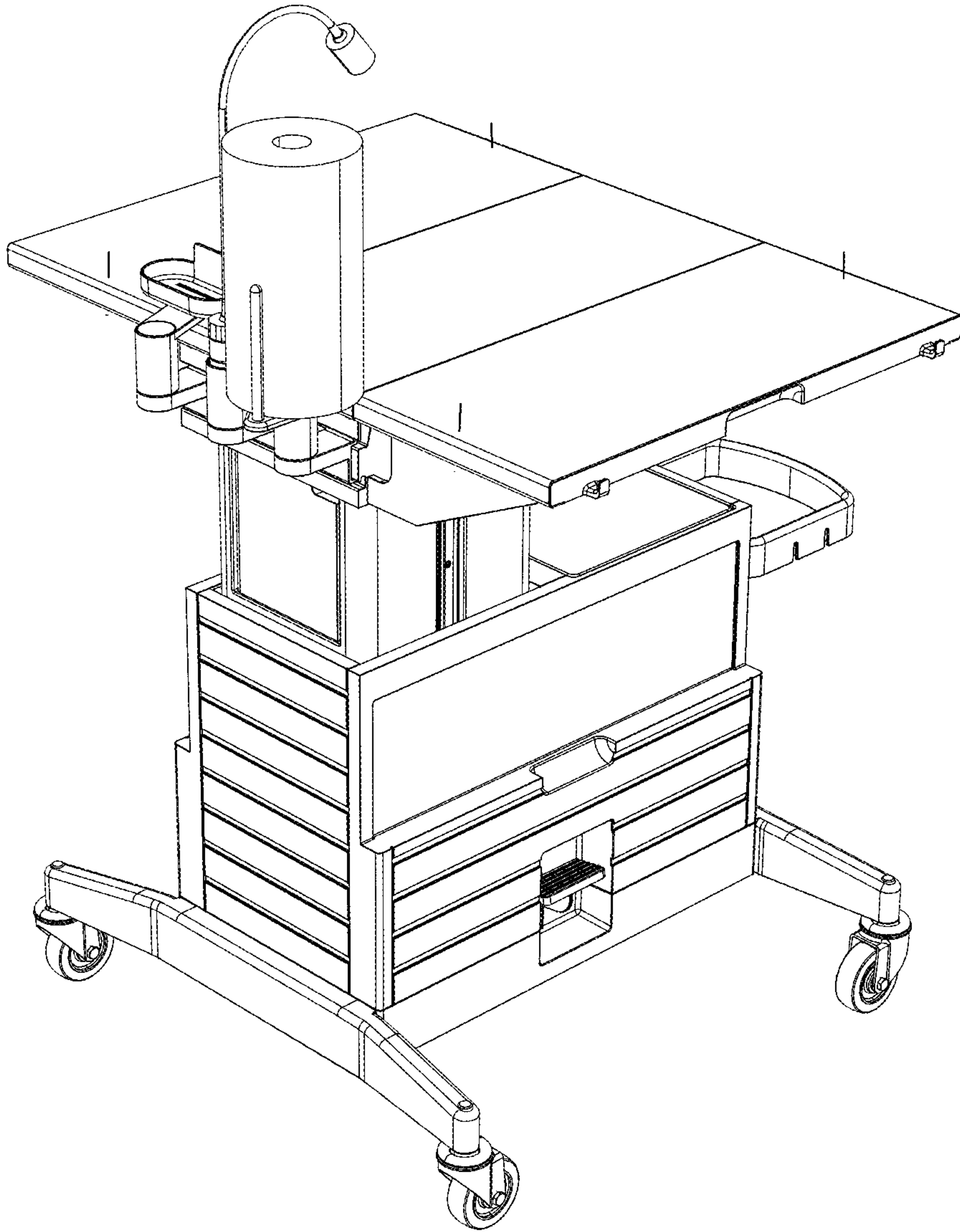


FIG. 4

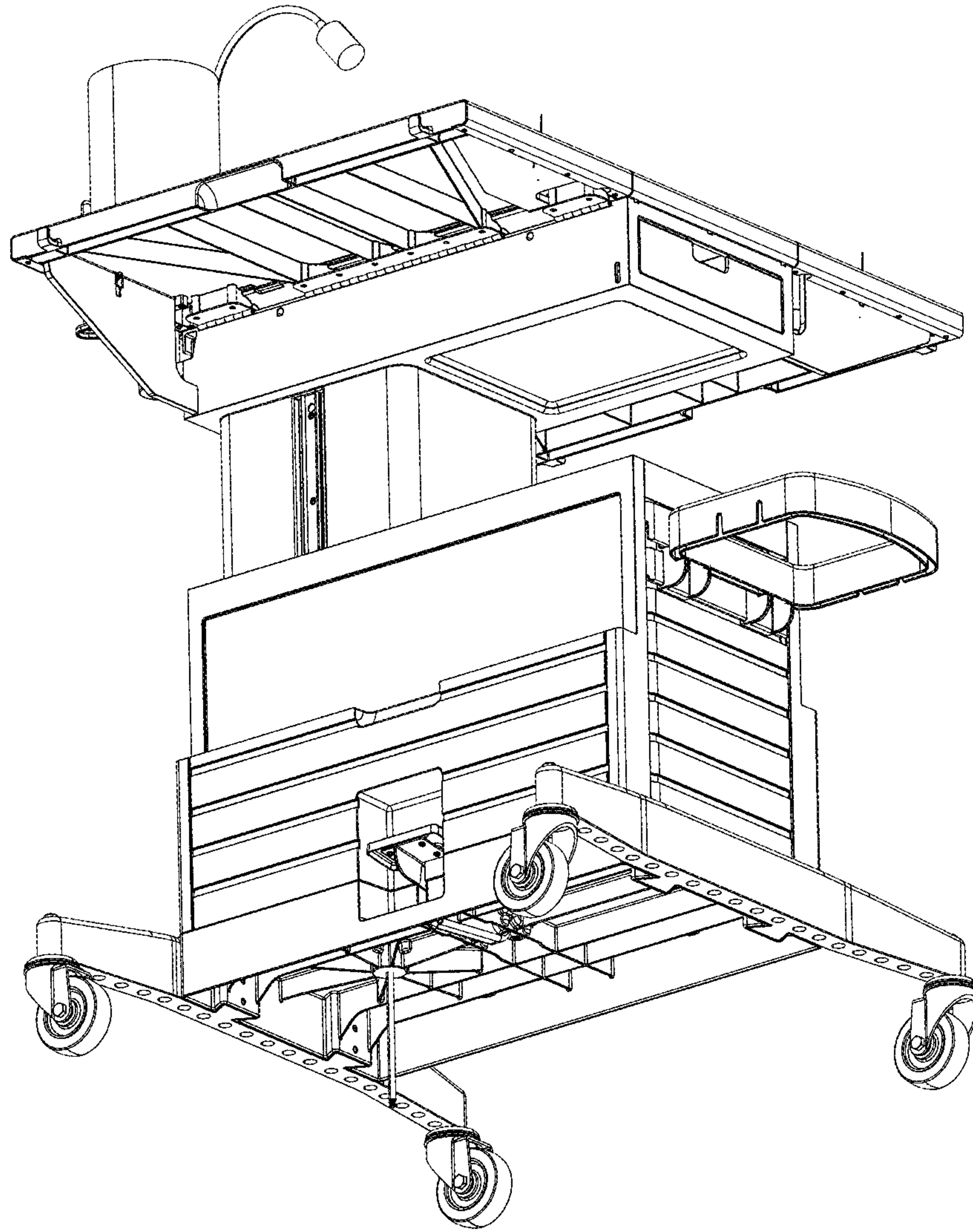


FIG. 5



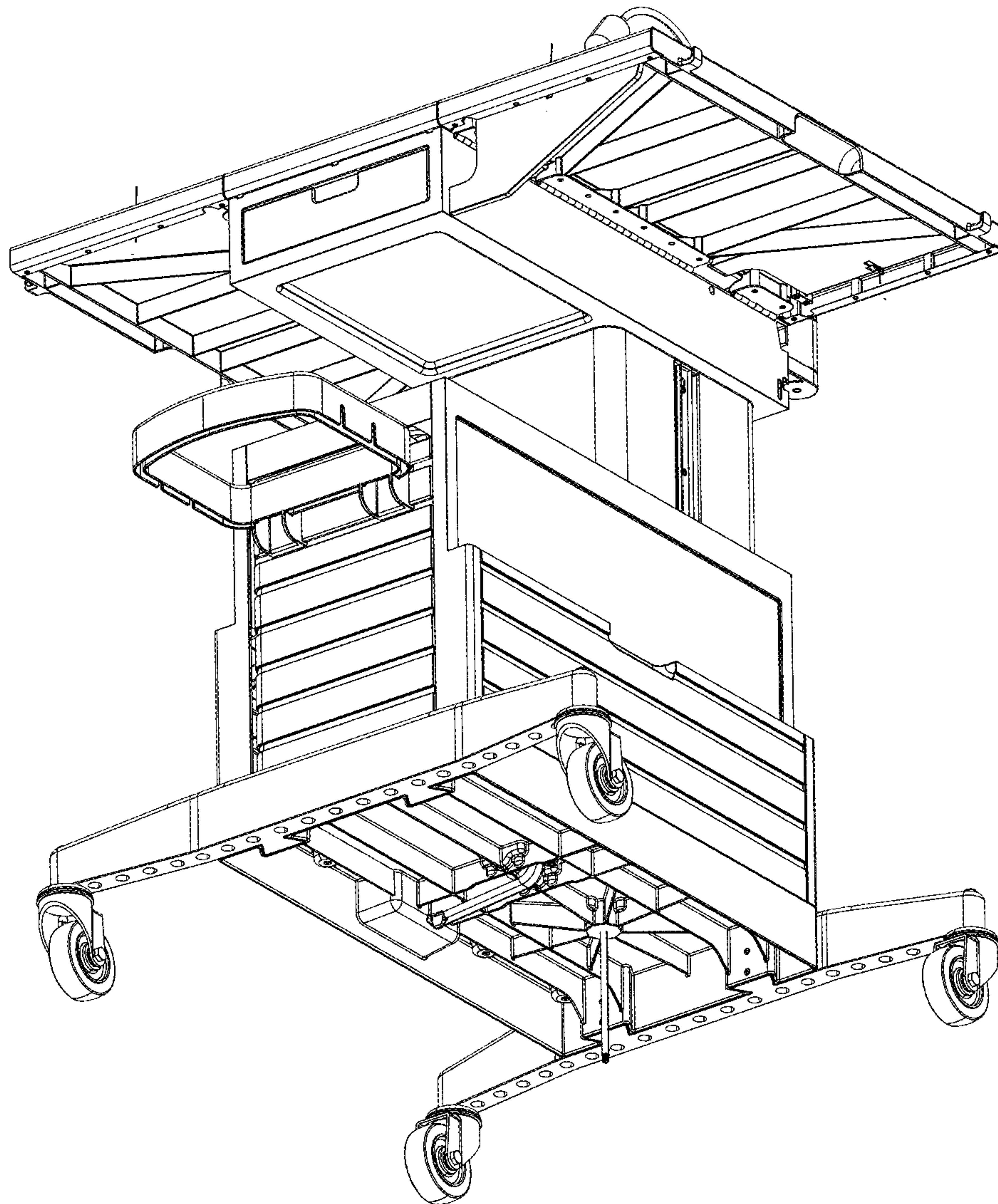


FIG. 6

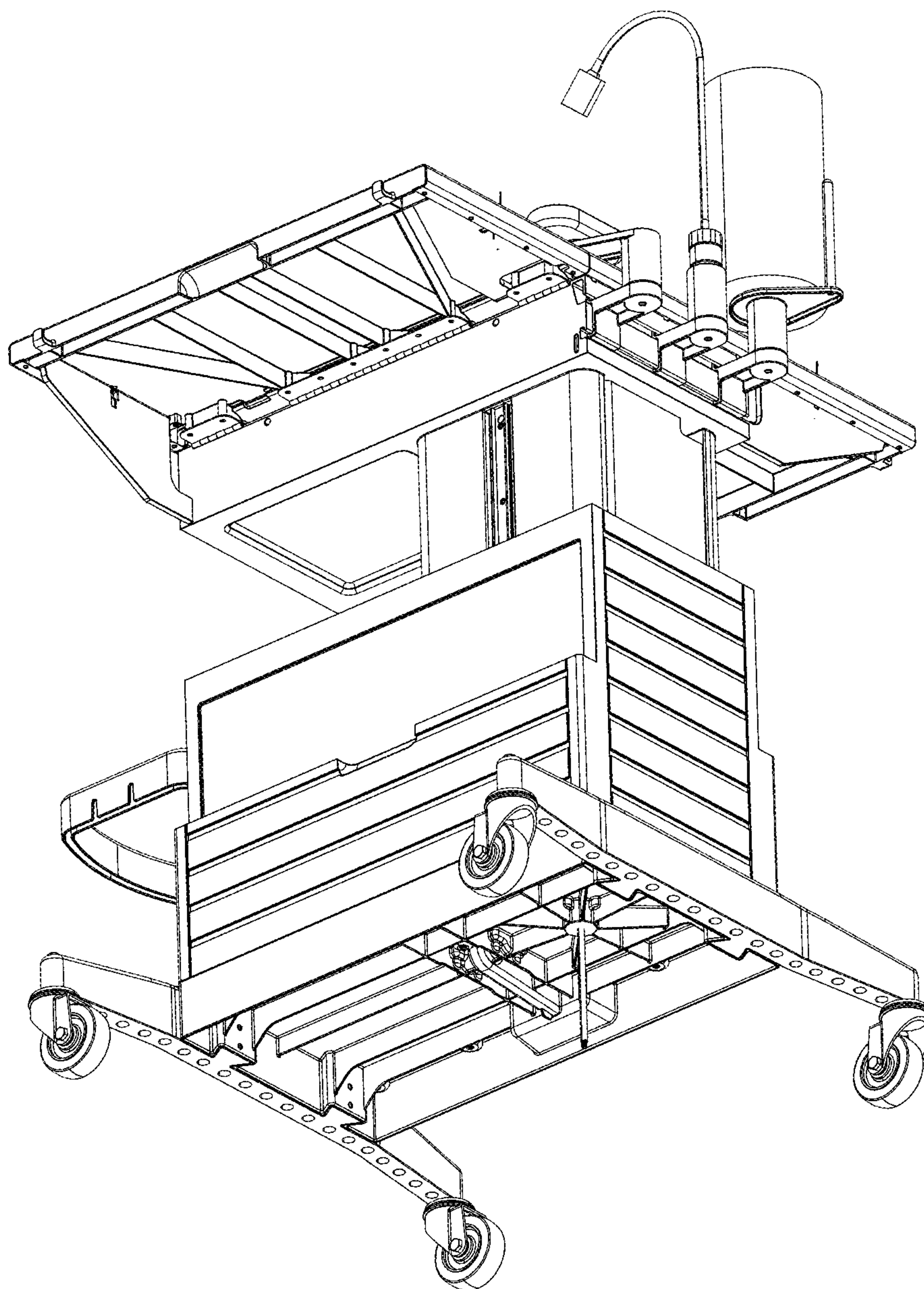


FIG. 7



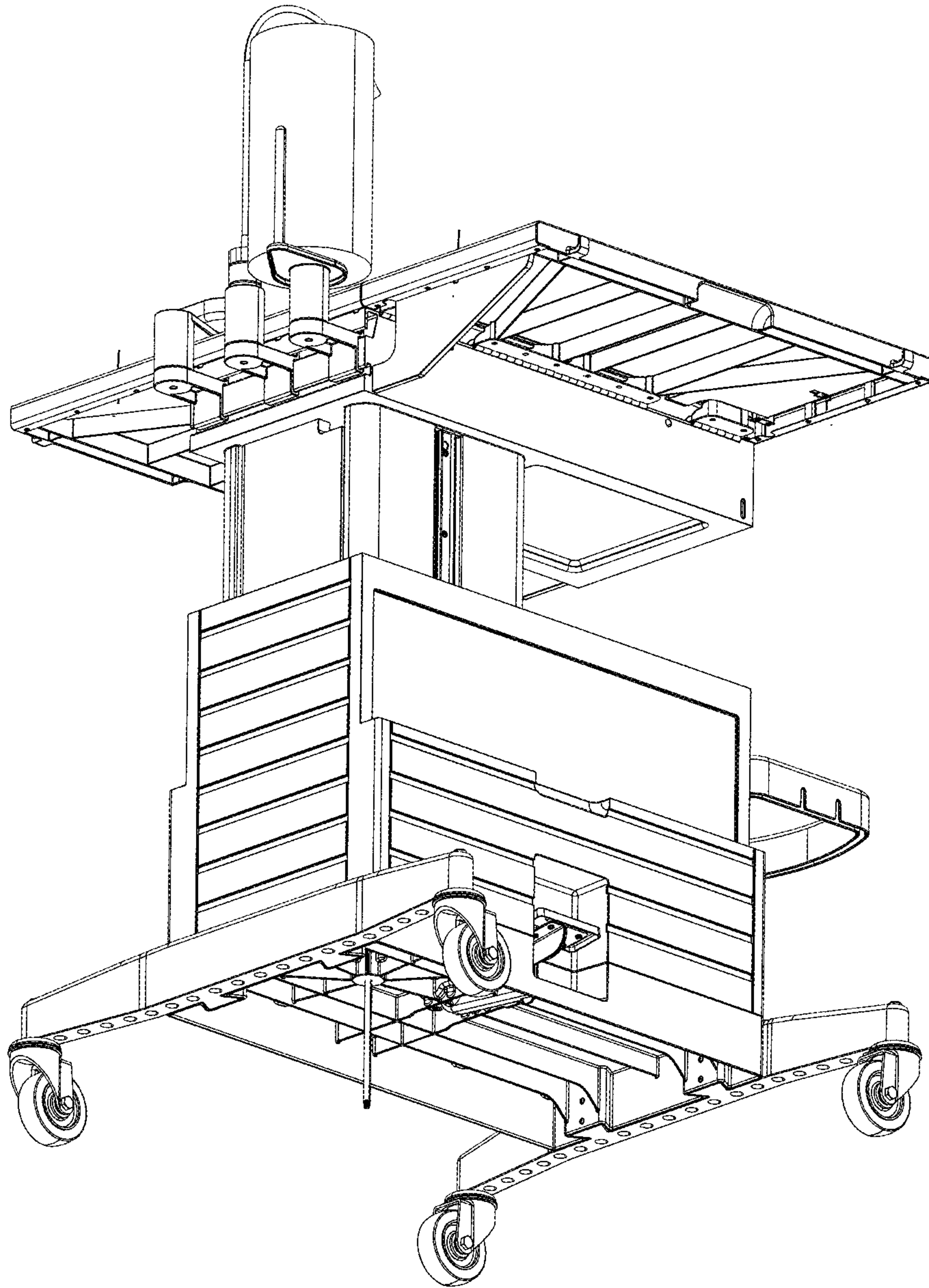


FIG. 8

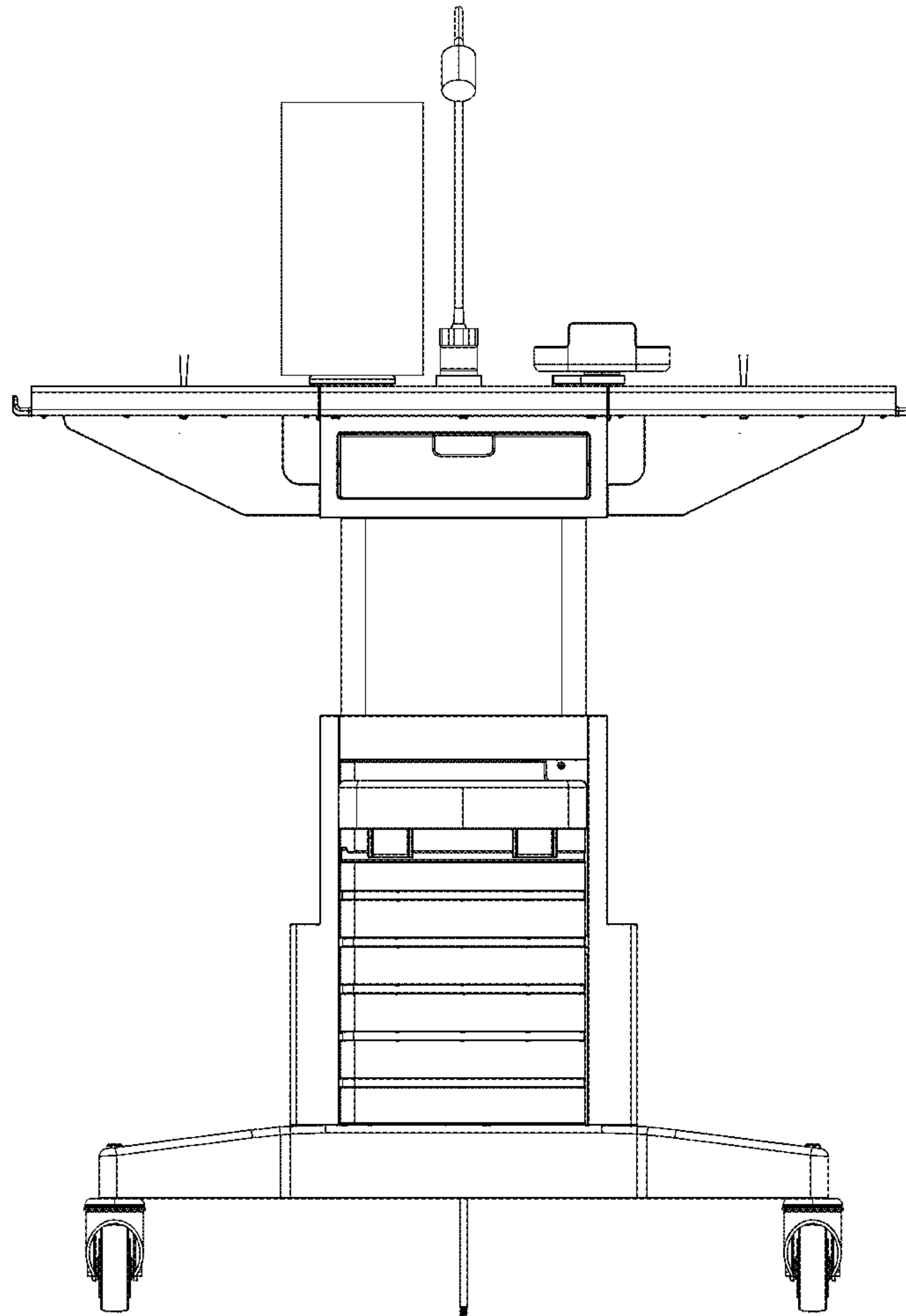


FIG. 9

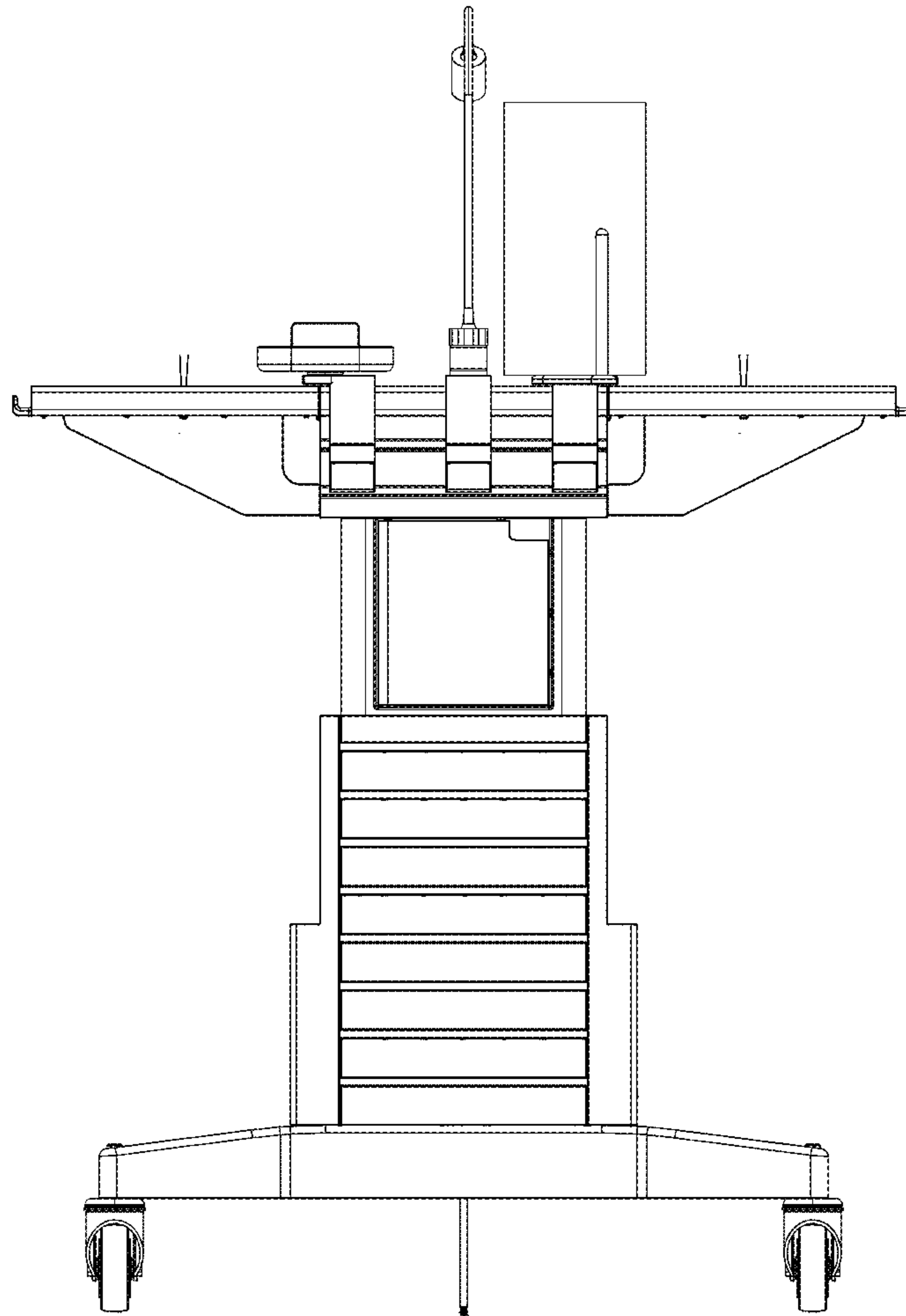


FIG. 10



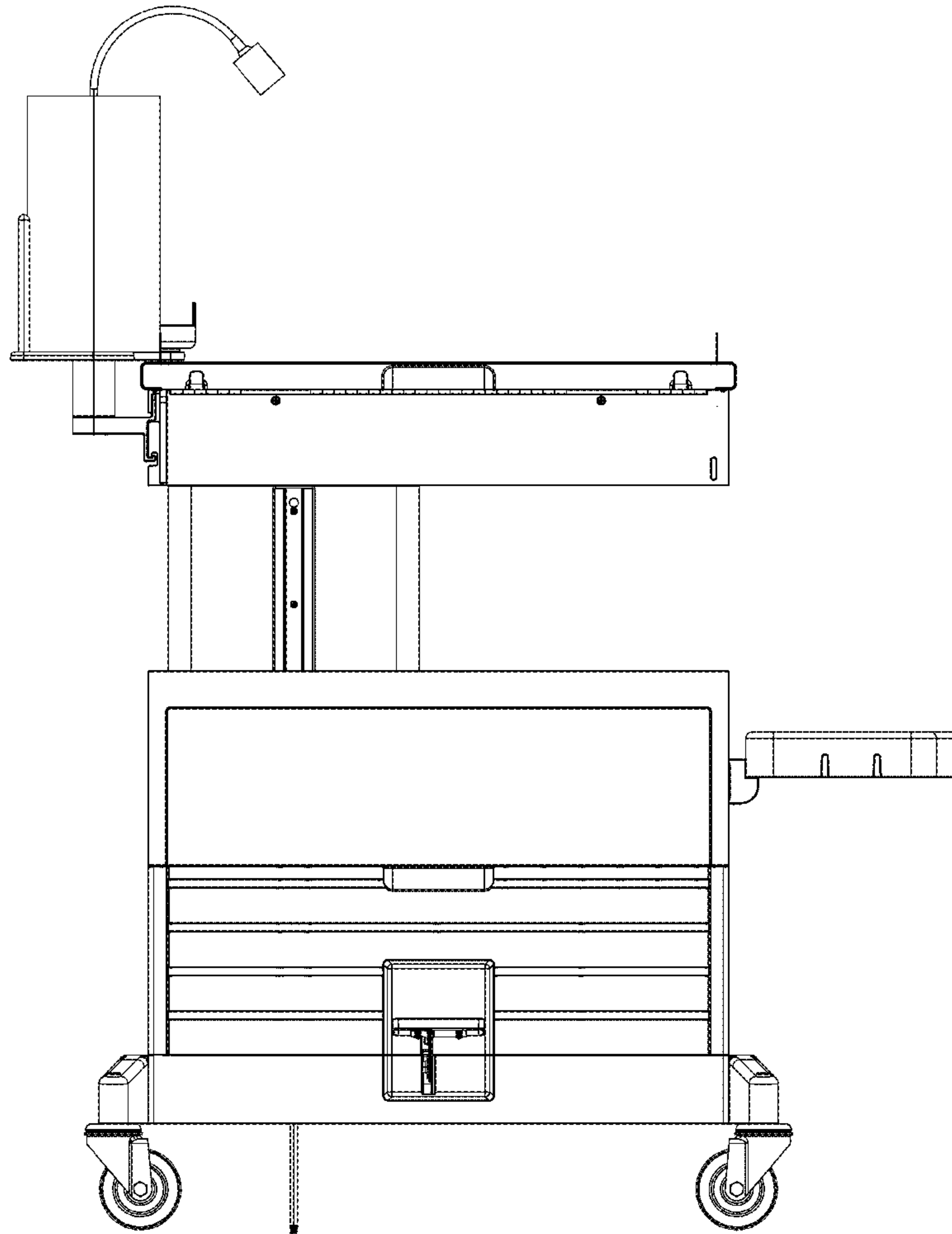


FIG. 11

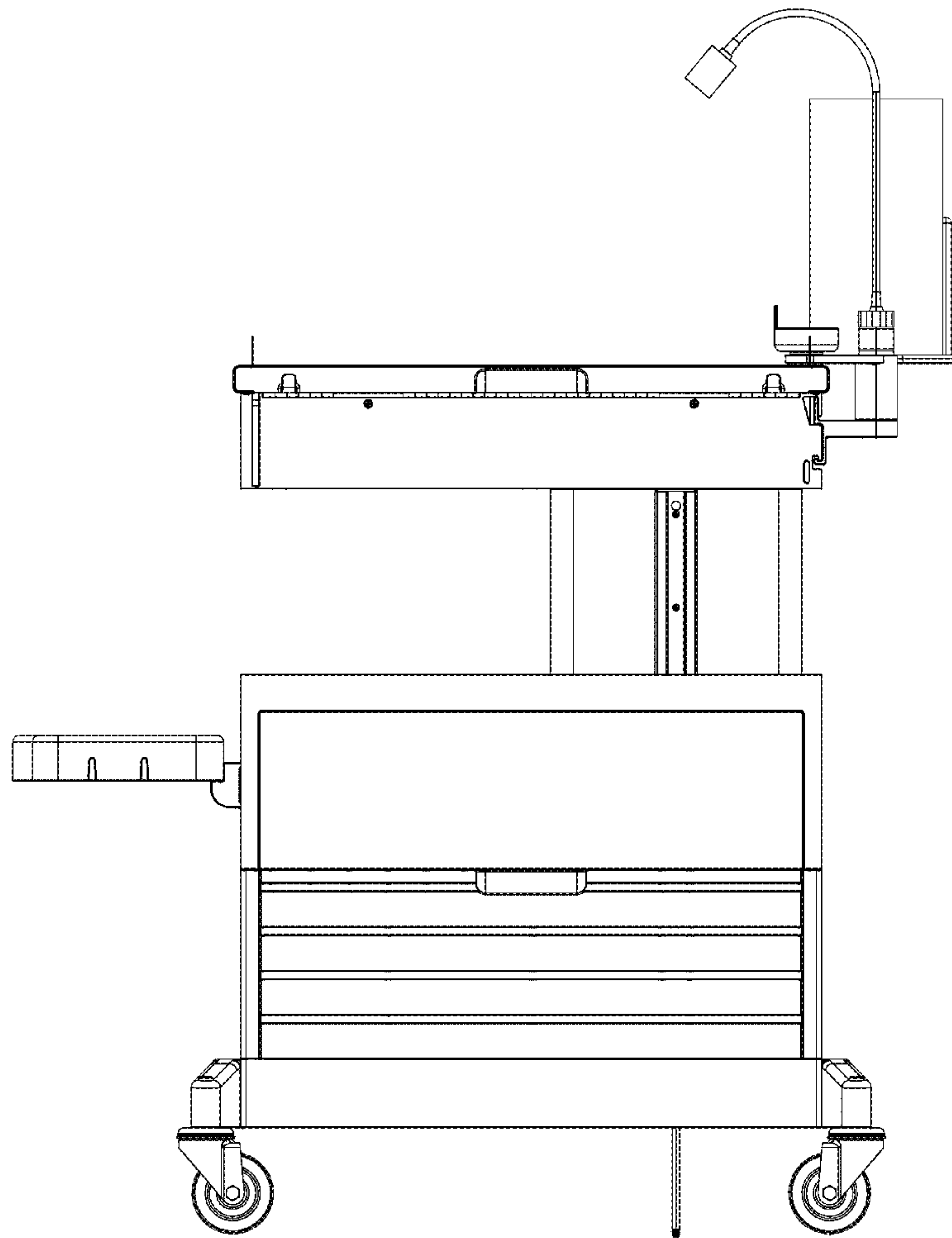


FIG. 12

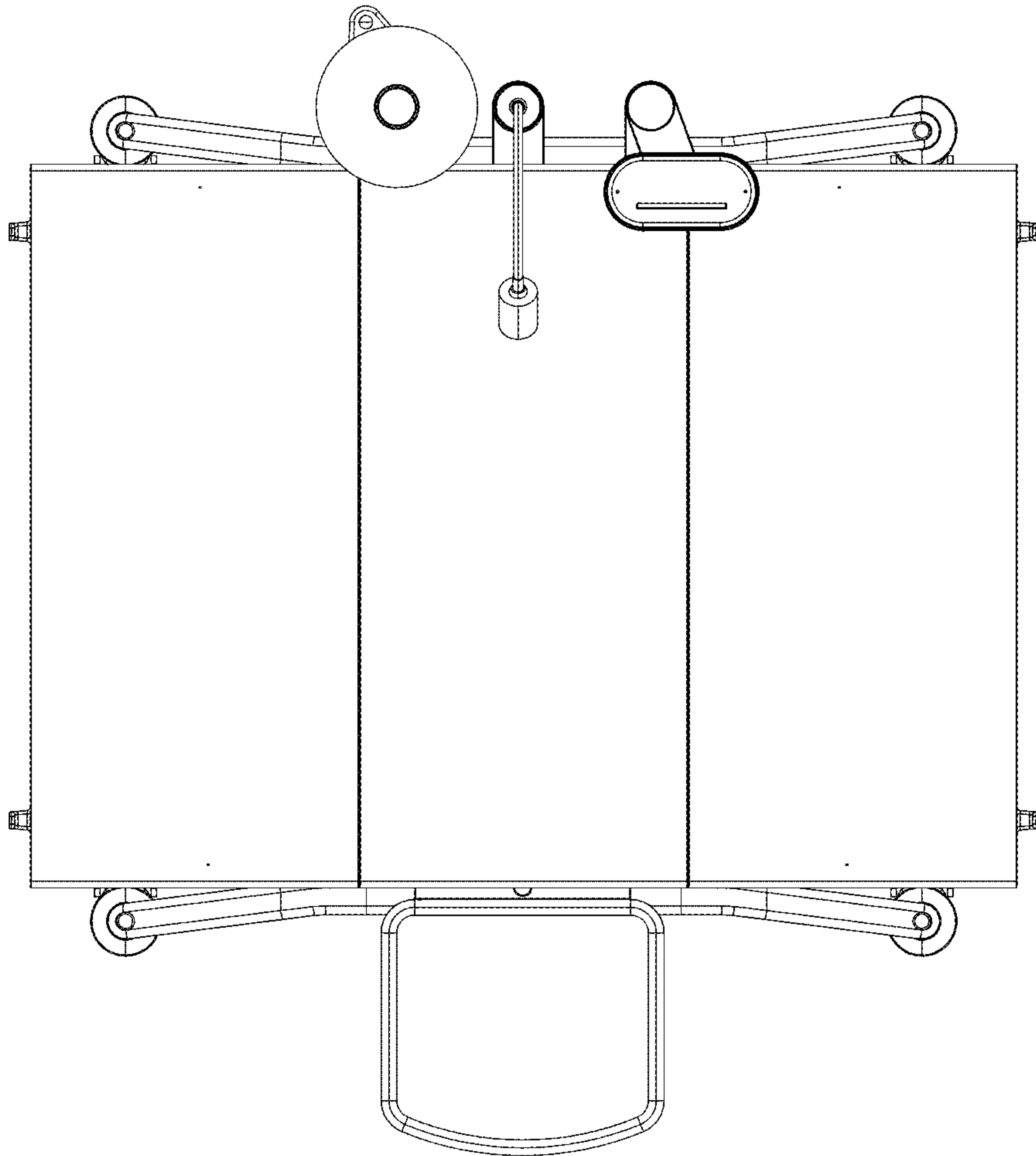


FIG. 13



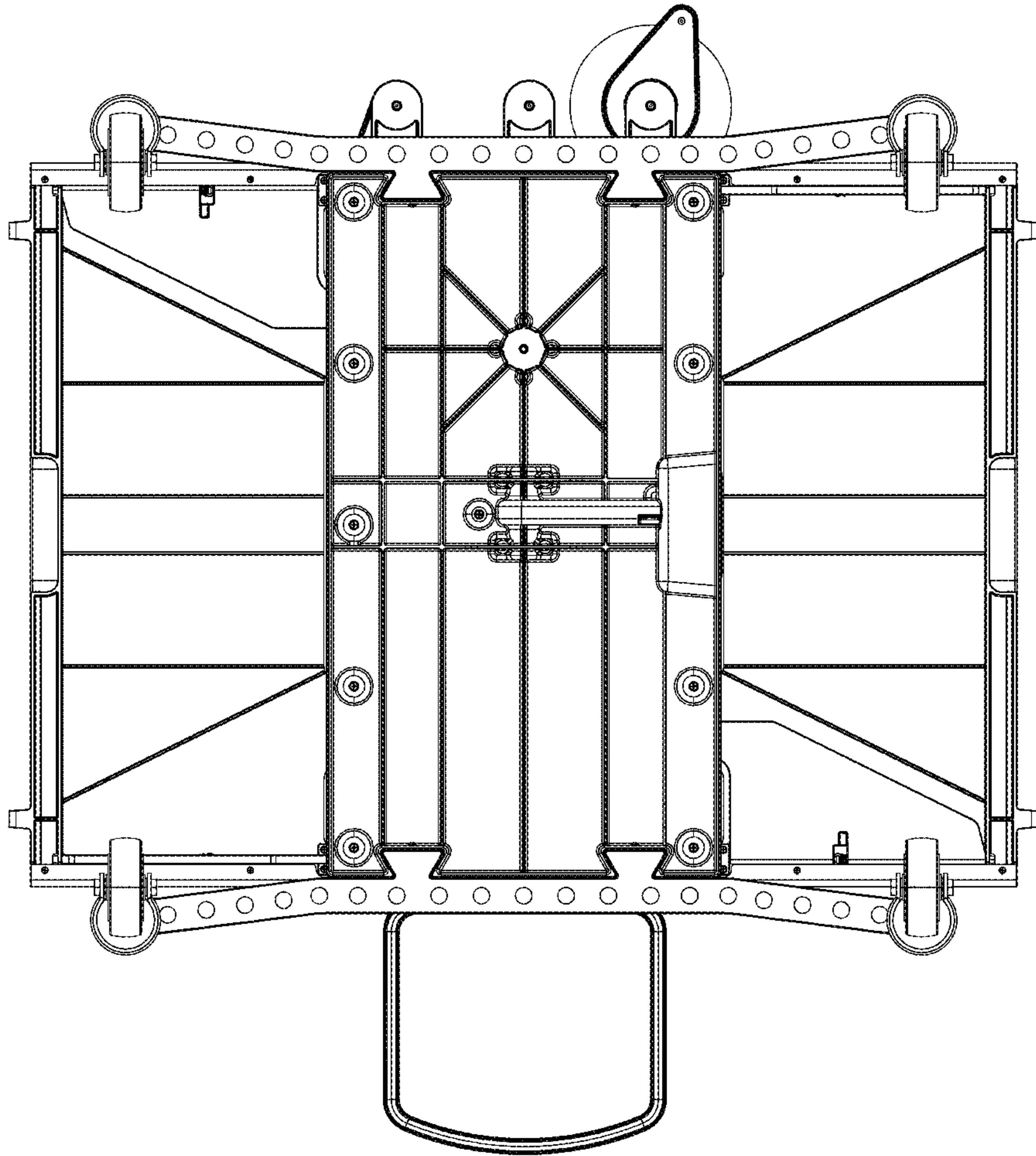


FIG. 14