



US00D939176S

(12) **United States Design Patent**
Au et al.

(10) **Patent No.:** **US D939,176 S**

(45) **Date of Patent:** **** Dec. 21, 2021**

(54) **CART**

(71) Applicant: **B-O-F CORPORATION**, Aurora, IL (US)

(72) Inventors: **Derek Au**, Aurora, IL (US); **Edwin Albarran**, Chicago, IL (US); **Howard Topping**, Barrington, IL (US); **Julio Rubio**, Joliet, IL (US)

(73) Assignee: **B-O-F CORPORATION**, Aurora, IL (US)

(**) Term: **15 Years**

(21) Appl. No.: **29/735,909**

(22) Filed: **May 26, 2020**

(51) **LOC (13) Cl.** **12-02**

(52) **U.S. Cl.**
USPC **D34/12**

(58) **Field of Classification Search**
USPC D34/12, 14, 15, 17, 19, 20, 21, 25
CPC .. B62B 3/12; B62B 3/005; B62B 3/00; B62B 3/02; B62B 3/002; B62B 3/14; B62B 1/12

See application file for complete search history.

(56) **References Cited**

U.S. PATENT DOCUMENTS

D221,748 S * 9/1971 Bloomfield et al. D34/21
D222,633 S * 11/1971 Carter et al. D34/21
D267,243 S * 12/1982 Jemas D34/21
D410,127 S * 5/1999 Colomban D34/21

D486,618 S * 2/2004 Crosco, Sr. D34/17
D927,818 S * 8/2021 Li D34/21
2007/0289788 A1* 12/2007 Salmon A61G 12/001 180/19.3

FOREIGN PATENT DOCUMENTS

IE S20090718 A2 6/2010

* cited by examiner

Primary Examiner — Cynthia Ramirez

(74) *Attorney, Agent, or Firm* — Marshall, Gerstein & Borun LLP

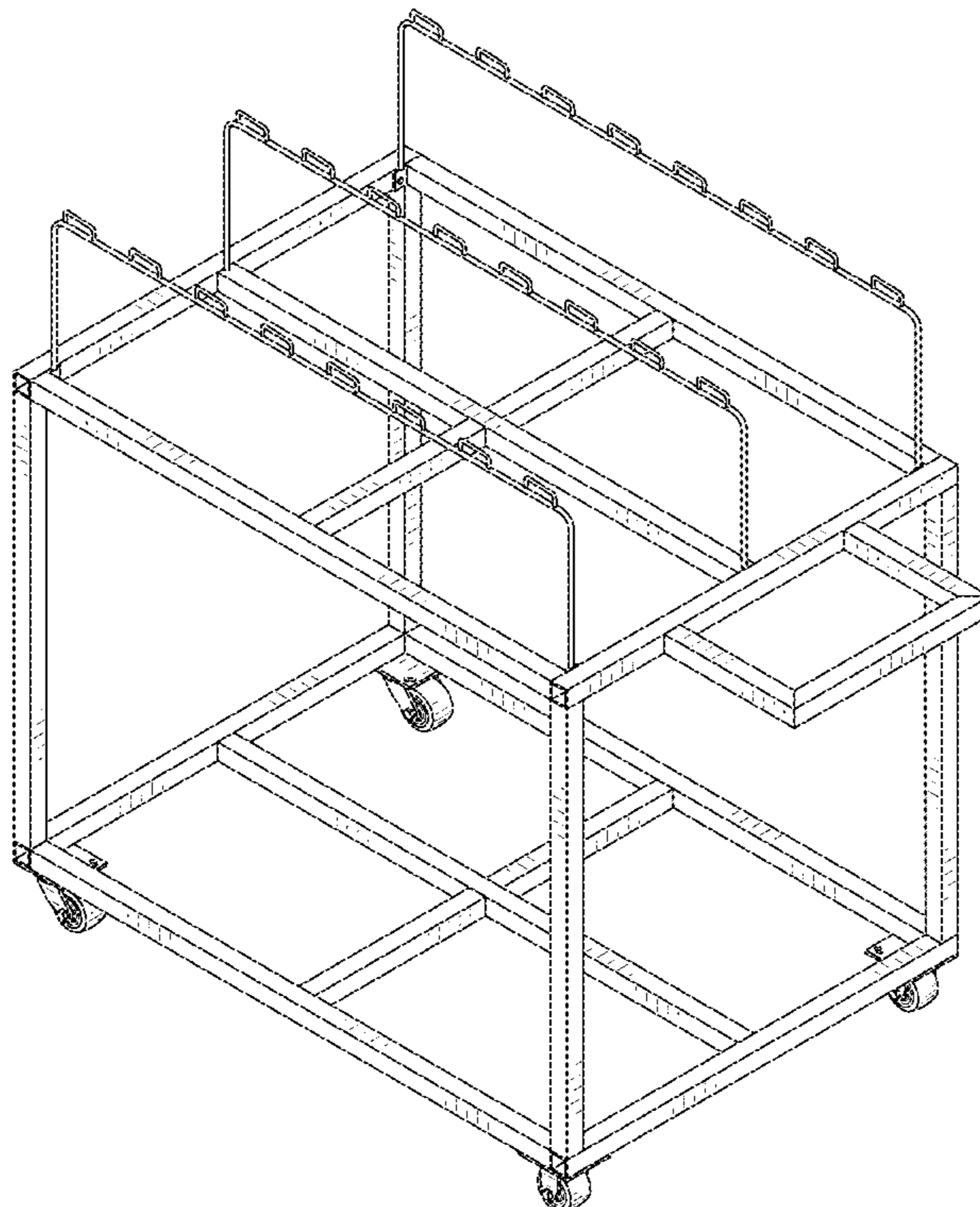
(57) **CLAIM**

The ornamental design for a cart, as shown and described.

DESCRIPTION

FIG. 1 is a perspective view of a cart showing our new design;
FIG. 2 is a right elevation view of the invention illustrated in FIG. 1;
FIG. 3 is a left elevation view of the invention illustrated in FIG. 1;
FIG. 4 is a front view of the invention illustrated in FIG. 1;
FIG. 5 is a rear side view of the invention illustrated in FIG. 1;
FIG. 6 is a top view of the invention illustrated in FIG. 1; and,
FIG. 7 is a bottom view of the invention illustrated in FIG. 1.

1 Claim, 7 Drawing Sheets



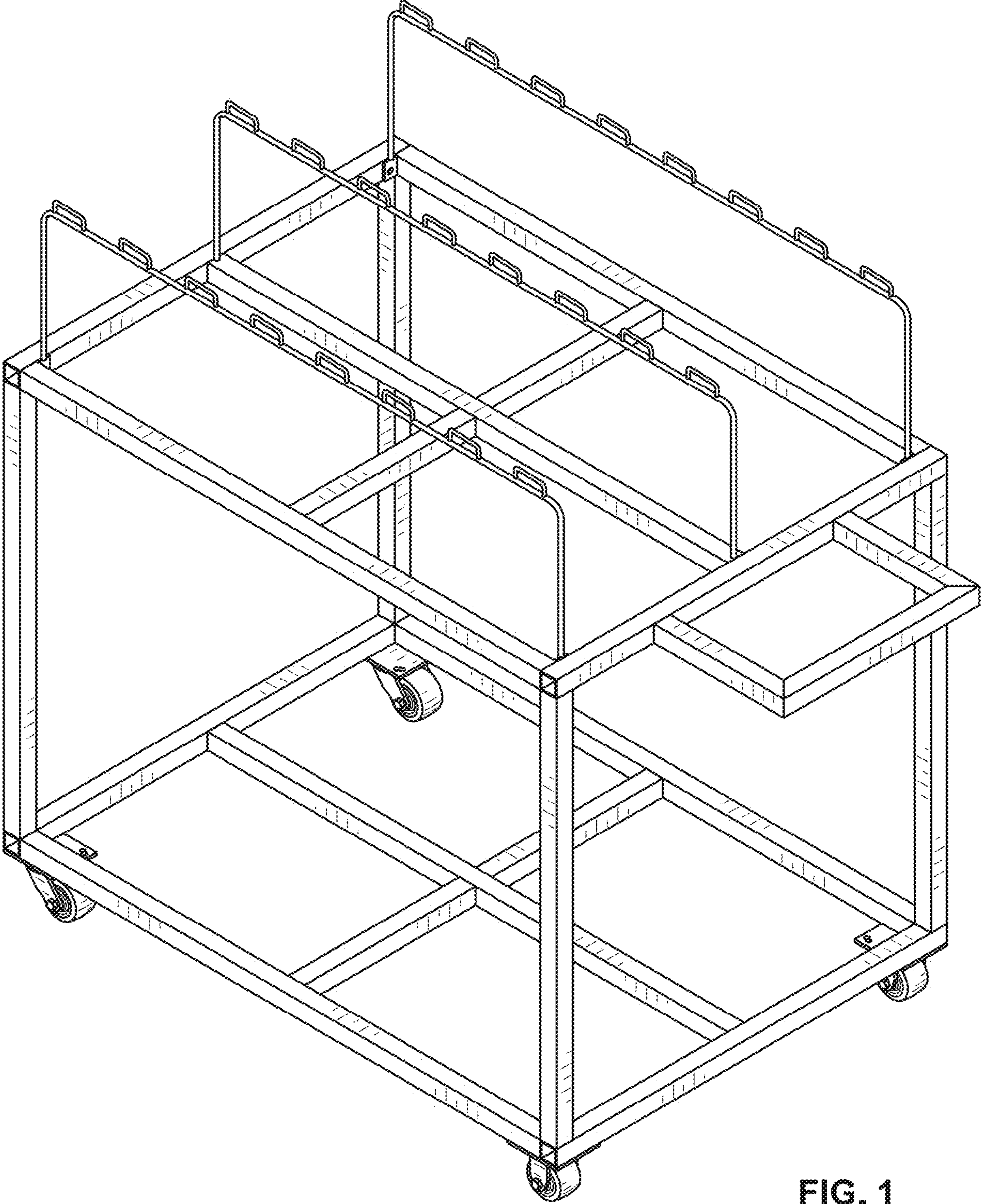


FIG. 1

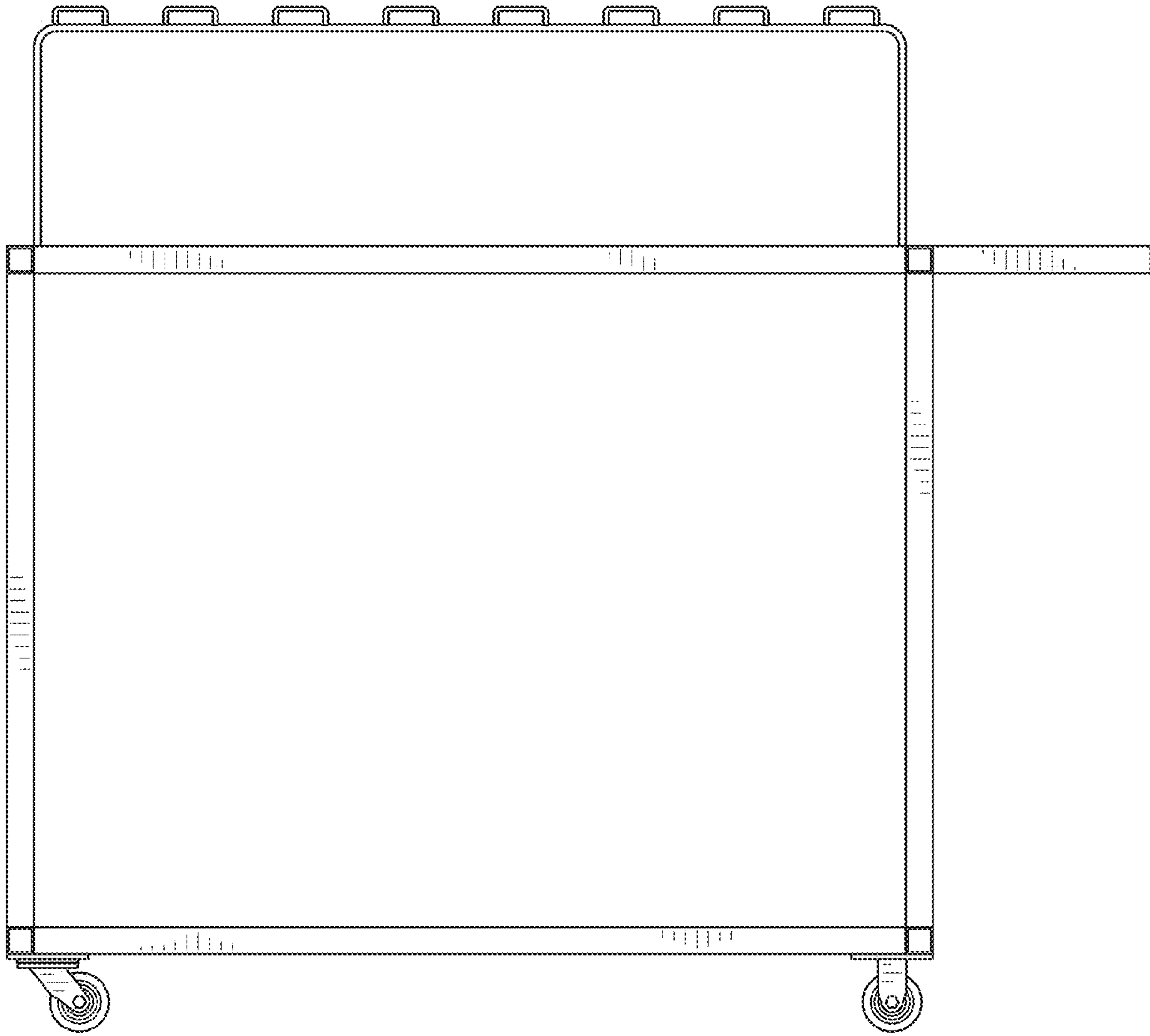


FIG. 2

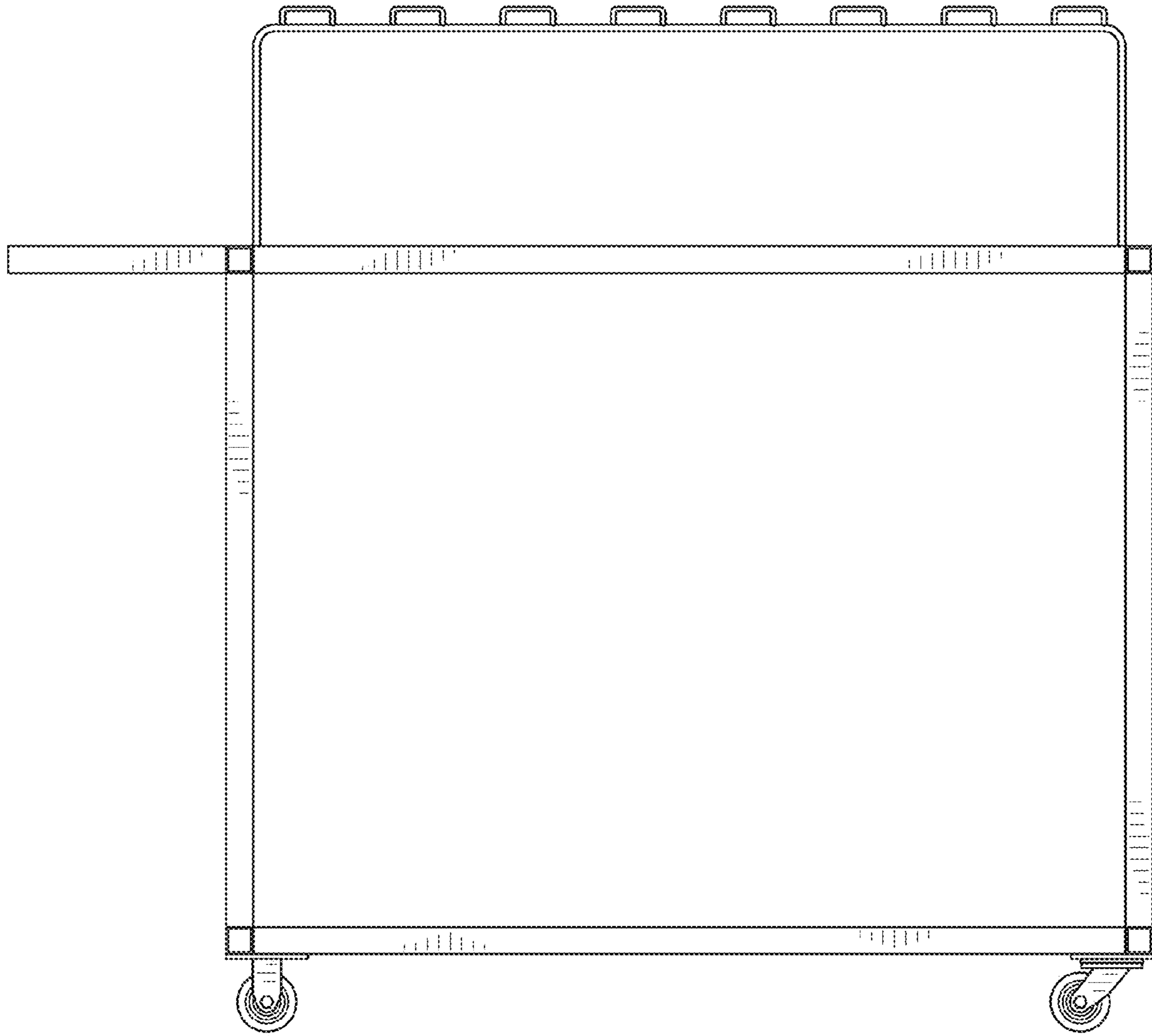


FIG. 3

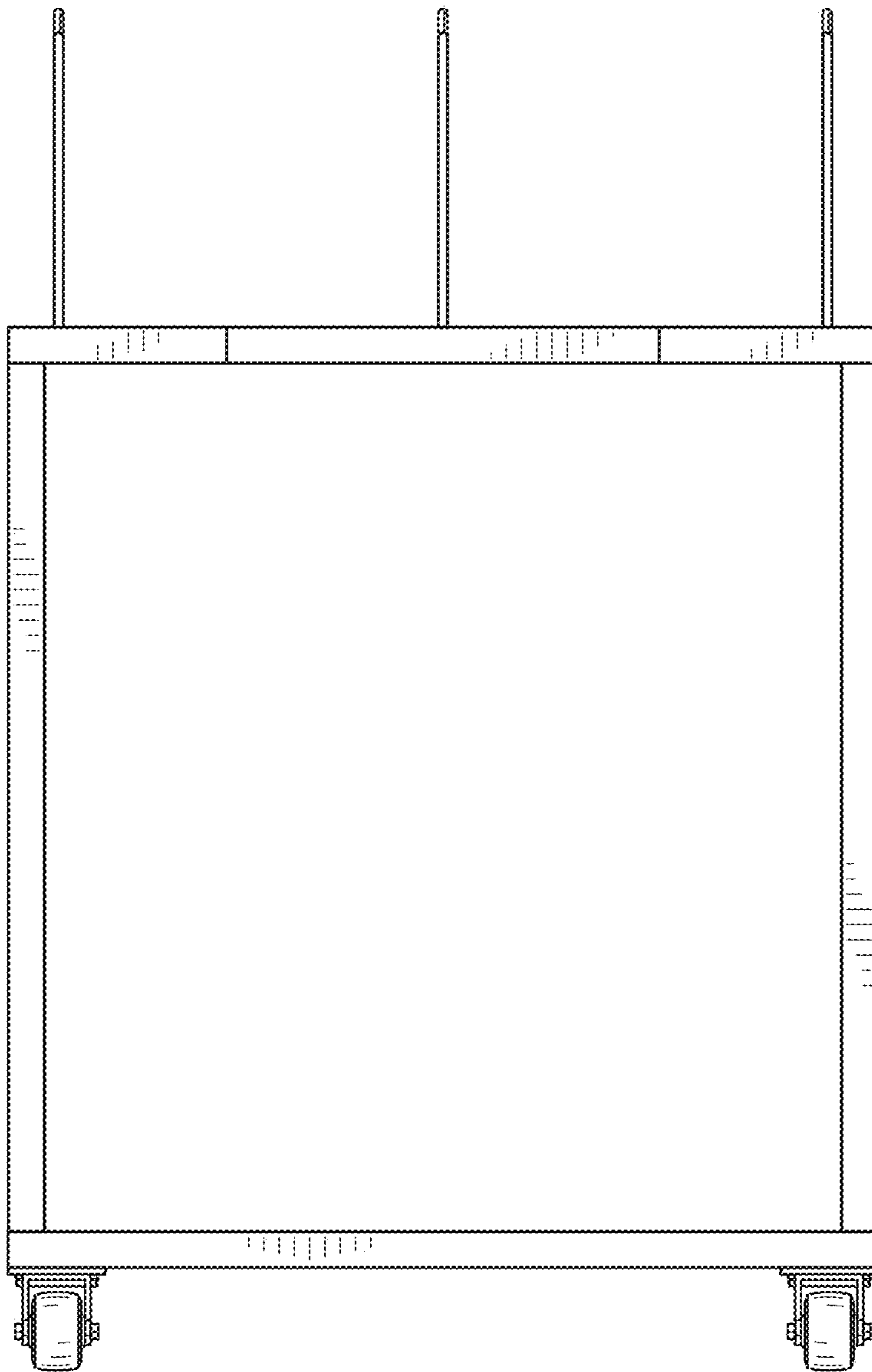


FIG. 4

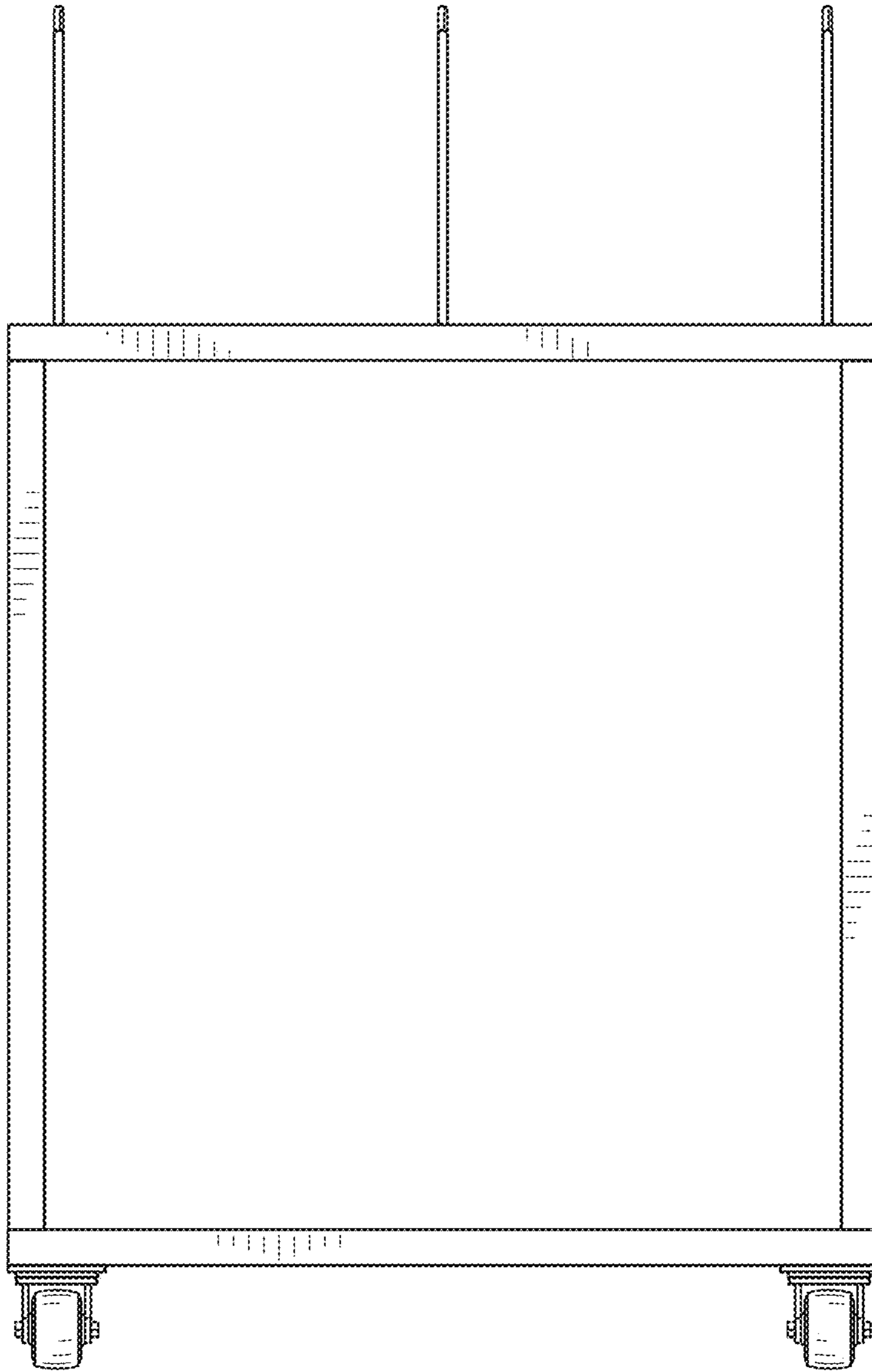


FIG. 5

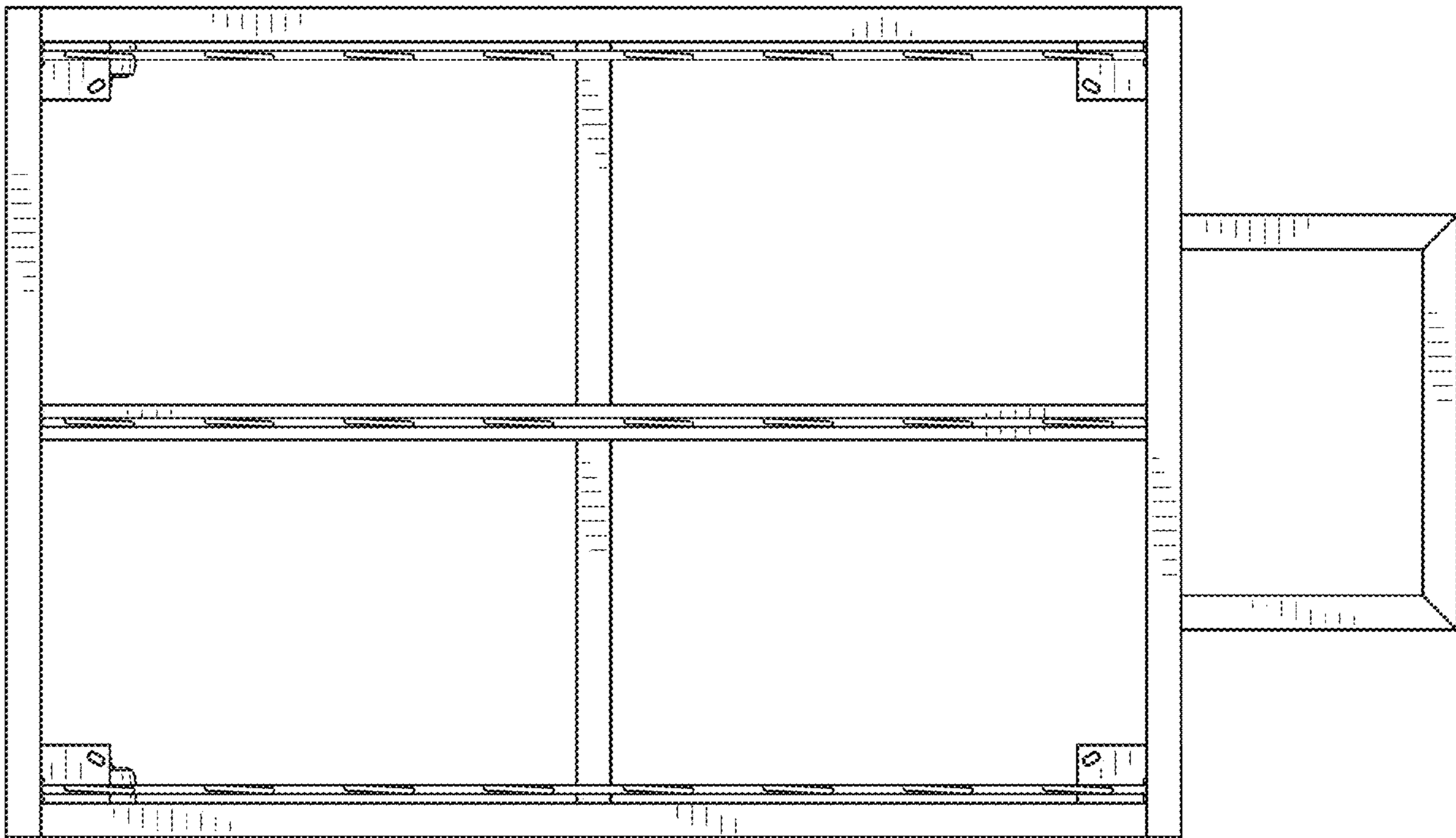


FIG. 6

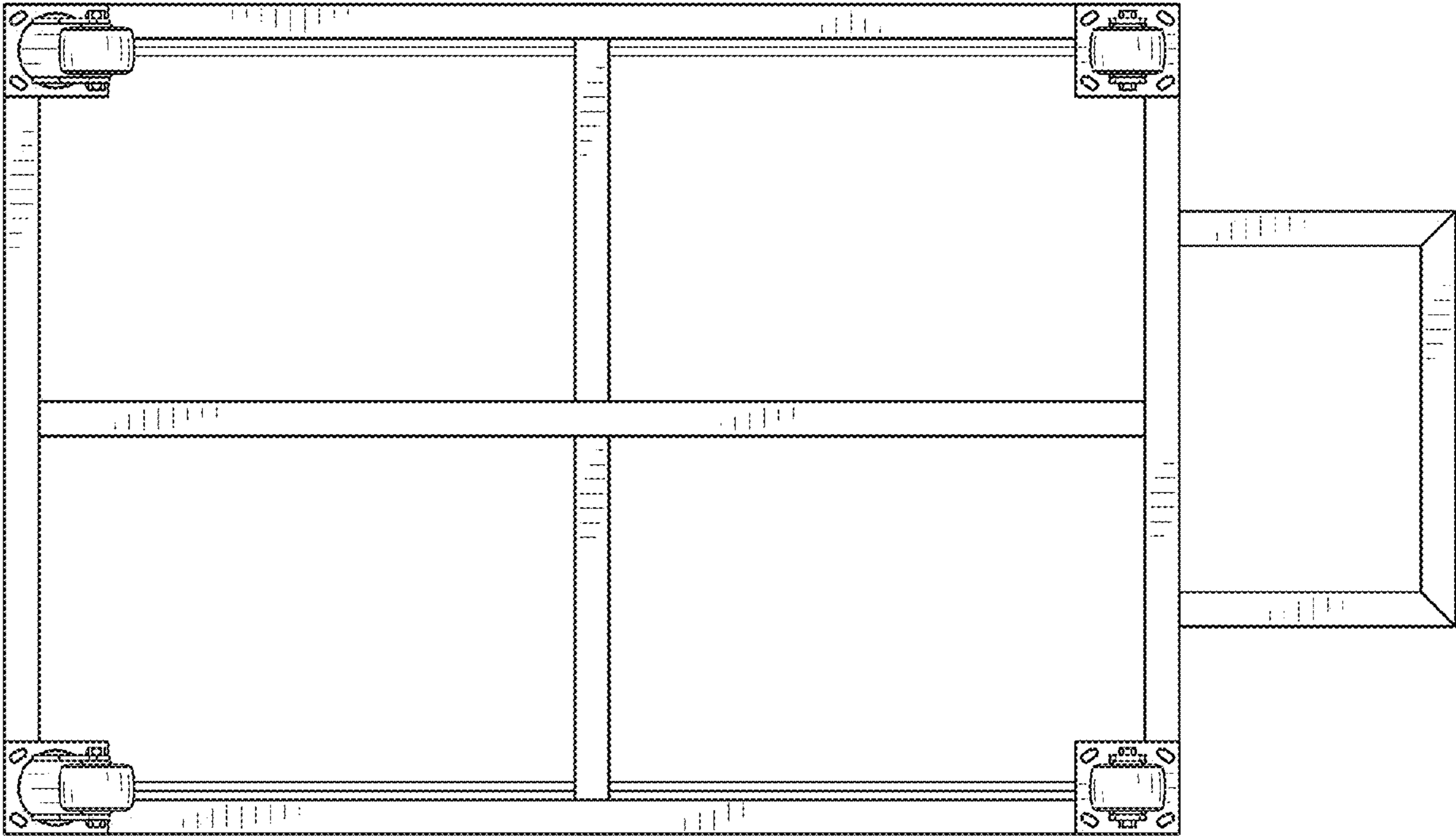


FIG. 7