



US00D939175S

(12) **United States Design Patent**
Joseph

(10) **Patent No.:** **US D939,175 S**

(45) **Date of Patent:** **** Dec. 21, 2021**

- (54) **BIN LID**
- (71) Applicant: **JOSEPH JOSEPH LTD.**, London (GB)
- (72) Inventor: **Antony Joseph**, London (GB)
- (73) Assignee: **JOSEPH JOSEPH LTD.**, London (GB)
- (**) Term: **15 Years**
- (21) Appl. No.: **29/738,390**
- (22) Filed: **Jun. 17, 2020**
- (30) **Foreign Application Priority Data**
Dec. 17, 2019 (EM) 007419577
- (51) **LOC (13) Cl.** **09-09**
- (52) **U.S. Cl.**
USPC **D34/11**
- (58) **Field of Classification Search**
USPC D34/1, 7, 8, 9, 10, 11
CPC B65F 1/163; B65F 1/16; B65F 2250/116;
B65F 2250/12; B65F 1/00; B65F 1/1638;
B65F 1/0033; B65F 1/122; B65F
2001/1669
See application file for complete search history.

D762,037 S *	7/2016	Chen	D34/7
D790,145 S *	6/2017	Chen	D34/7
D792,673 S *	7/2017	Lloyd	D34/7
D796,766 S *	9/2017	Chen	D34/7
D809,729 S *	2/2018	Chen	D34/7
D836,278 S *	12/2018	Berberet	B08B 9/08 D34/7
D855,919 S *	8/2019	Yang	D34/7
D860,570 S *	9/2019	Chen	D34/7
D871,012 S *	12/2019	Chen	D34/7
D872,959 S *	1/2020	Chen	D34/7
D872,960 S *	1/2020	Chen	D34/7
D877,441 S *	3/2020	Zhou	D34/9
D903,217 S *	11/2020	Smeets	D34/7
D905,367 S *	12/2020	Smeets	D34/9
D909,002 S *	1/2021	Chang	D34/9
D915,021 S *	3/2021	Massar	D34/7
D922,718 S *	6/2021	Wang	D34/11

(Continued)

Primary Examiner — Cynthia Ramirez

(74) *Attorney, Agent, or Firm* — Millen, White, Zelano & Branigan, PC; Ryan Pool

(57) **CLAIM**

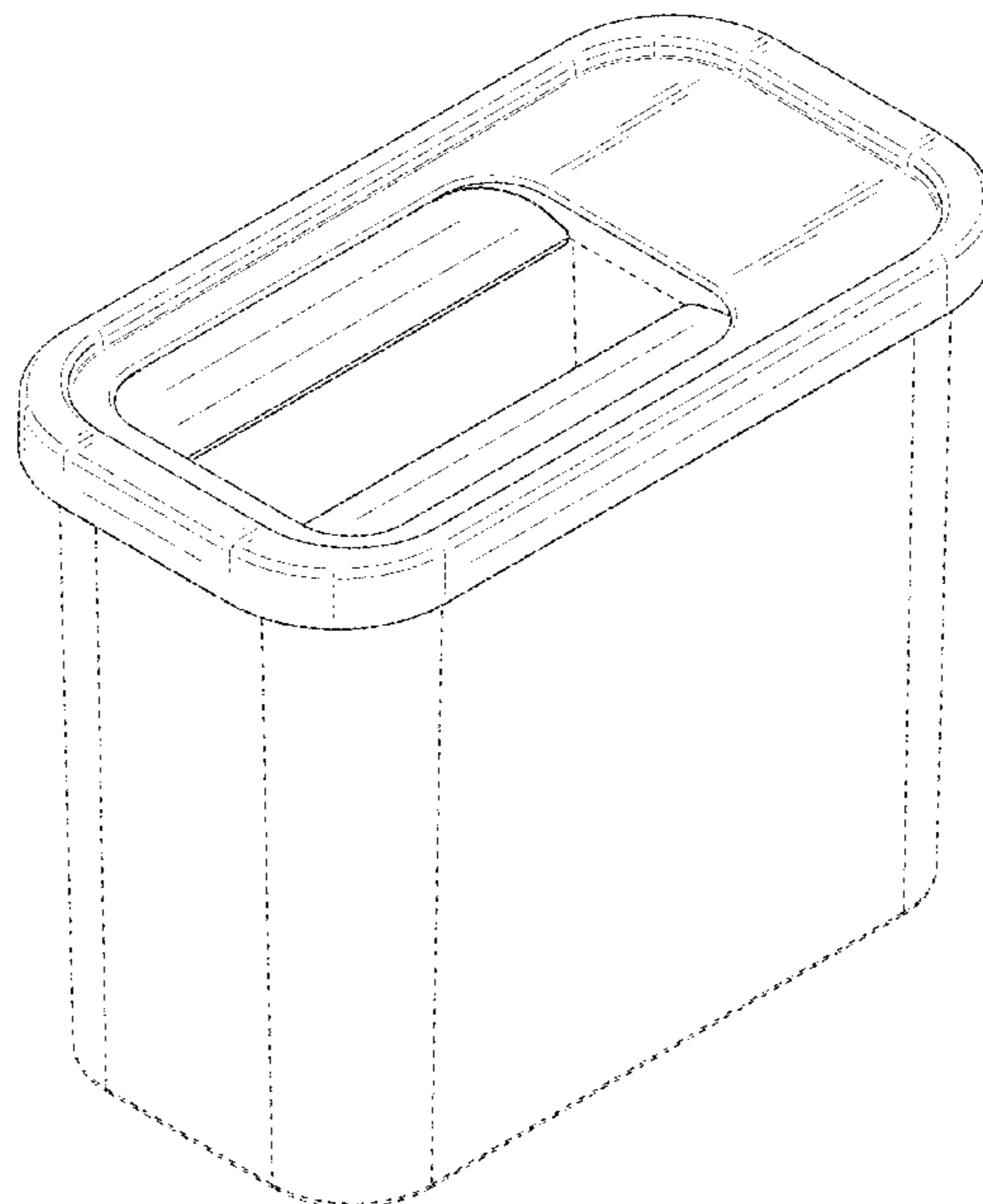
The ornamental design for a bin lid, as shown and described.

DESCRIPTION

FIG. 1 is a perspective view of the bin lid showing my new design.
 FIG. 2 is a side view in an open configuration thereof.
 FIG. 3 is another side view thereof.
 FIG. 4 is top view thereof.
 FIG. 5 is a bottom view thereof.
 FIG. 6 is a front view thereof.
 FIG. 7 is a back view thereof.
 FIG. 8 is an exploded perspective view thereof; and,
 FIG. 9 is an alternative exploded perspective view thereof.
 The broken lines in the drawings illustrate portions of the bin lid which form no part of the claimed design.

1 Claim, 9 Drawing Sheets

- (56) **References Cited**
U.S. PATENT DOCUMENTS
- D250,744 S * 1/1979 Morin D34/5
- D355,740 S * 2/1995 Kirchner D34/1
- D362,932 S * 10/1995 Brightbill D32/37
- D488,902 S * 4/2004 Yang D34/8
- D580,613 S * 11/2008 Yang D34/7
- D675,802 S * 2/2013 Yang D34/7
- D725,860 S * 3/2015 Spivey D34/7



(56)

References Cited

U.S. PATENT DOCUMENTS

2009/0230131 A1* 9/2009 McDuffie B65F 1/163
220/495.06
2011/0049149 A1* 3/2011 Shih B65F 1/1607
220/260
2011/0220648 A1* 9/2011 Yang B65F 1/1638
220/211
2013/0277365 A1* 10/2013 Kaufman B65F 1/1623
220/8
2013/0298506 A1* 11/2013 Lucas B65B 1/02
53/452
2015/0251849 A1* 9/2015 Yang B65F 1/062
220/661
2016/0052711 A1* 2/2016 Fitzgerald B65F 1/06
220/495.08
2018/0079592 A1* 3/2018 Wang B65F 1/1646
2018/0305120 A1* 10/2018 Yang B65F 1/163
2019/0329977 A1* 10/2019 Sofy B65F 1/06
2020/0207544 A1* 7/2020 Pestl E05F 15/73
2020/0391939 A1* 12/2020 Wang A61L 2/24
2020/0391940 A1* 12/2020 Wang B65F 1/02
2021/0061559 A1* 3/2021 Fitzgerald B65F 1/1623

* cited by examiner

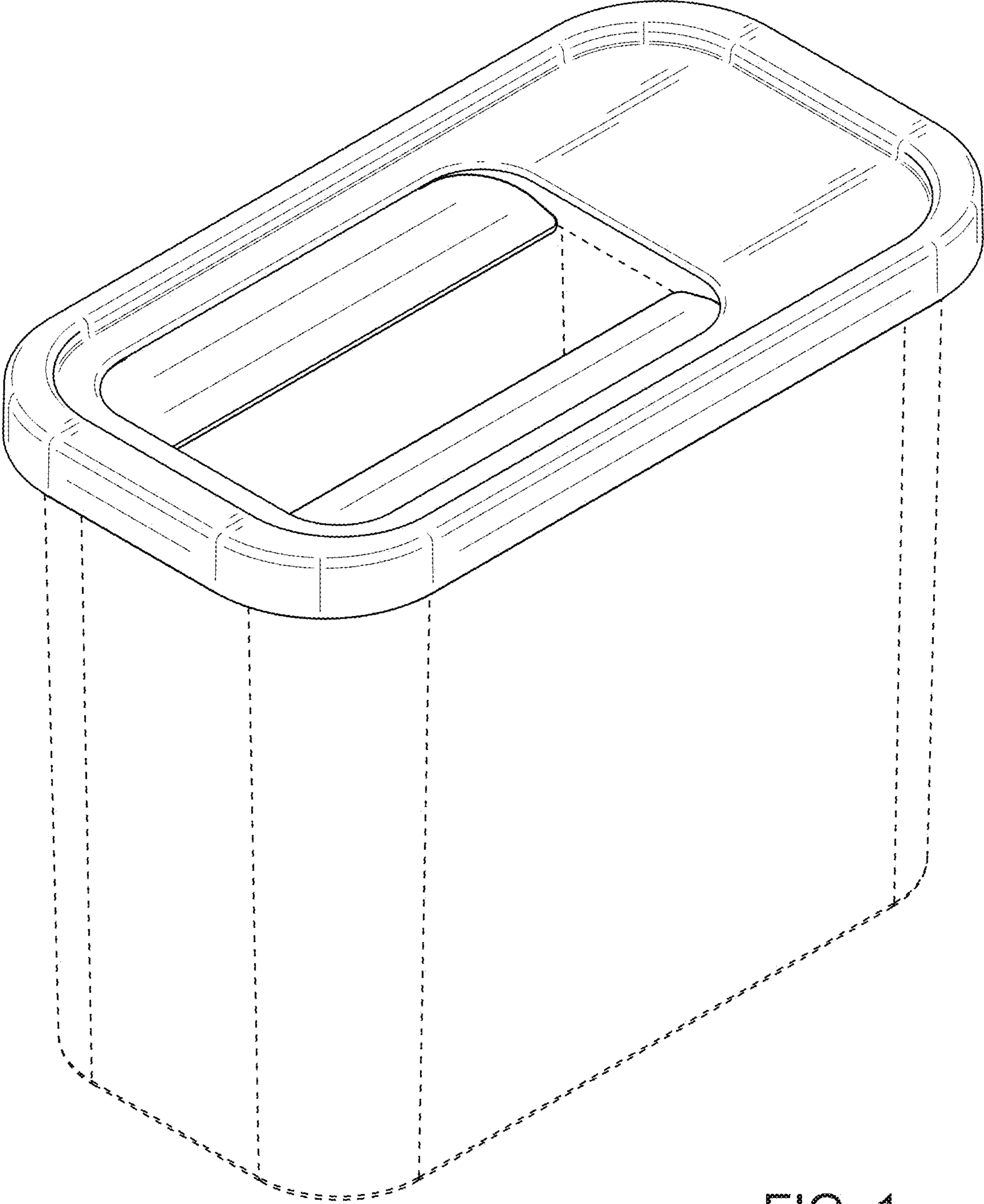


FIG. 1

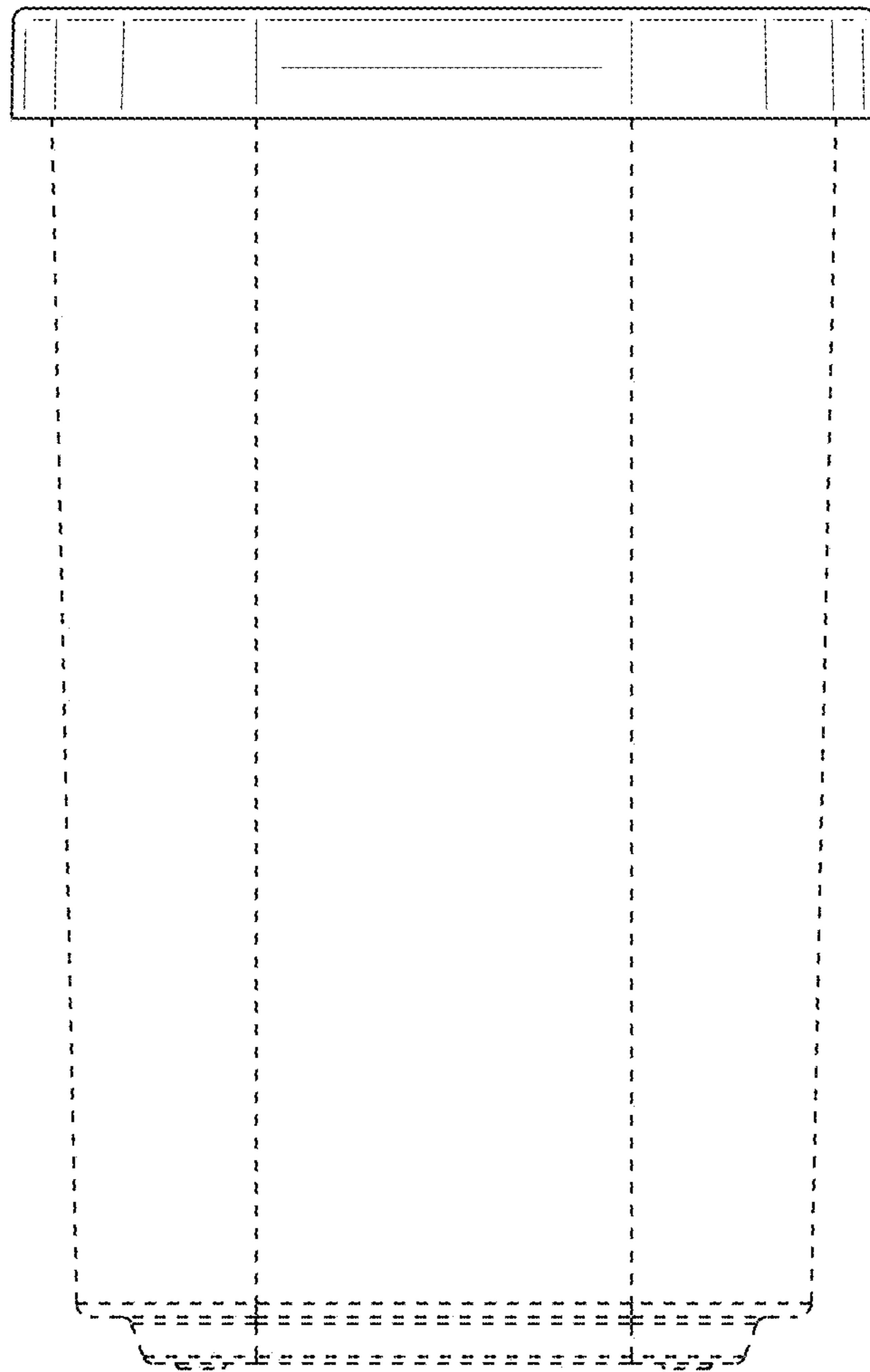


FIG. 2

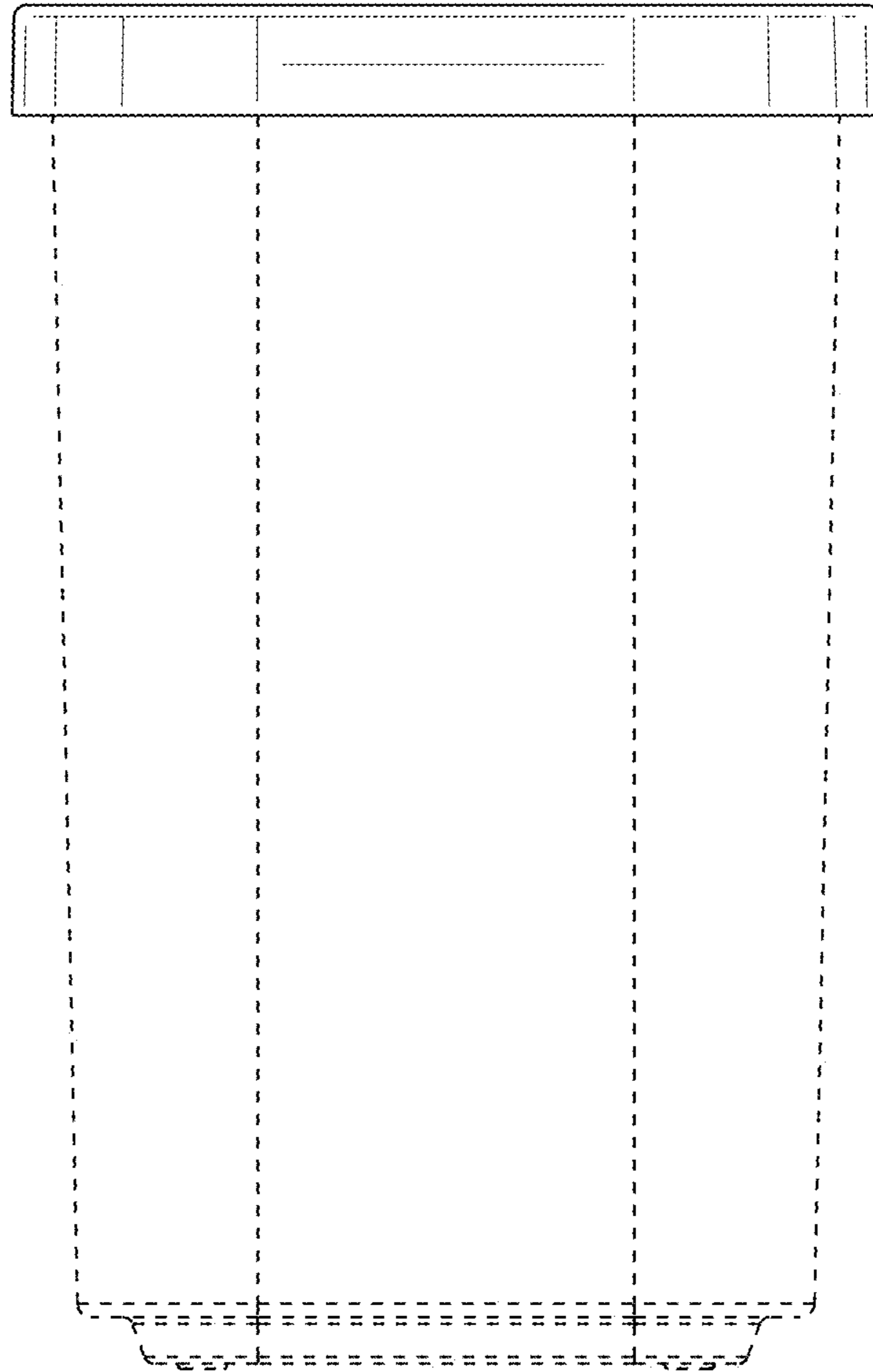


FIG. 3

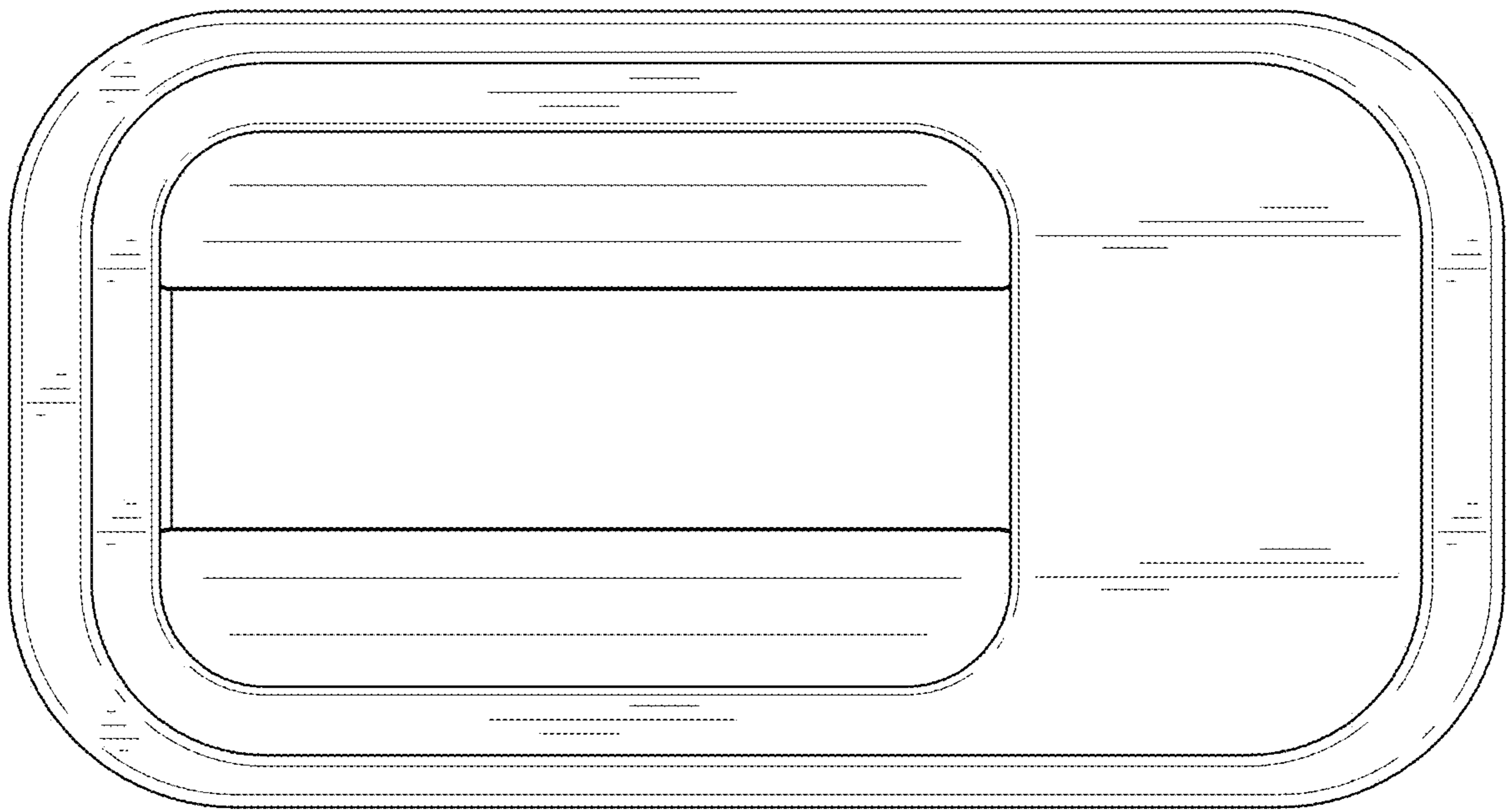


FIG. 4

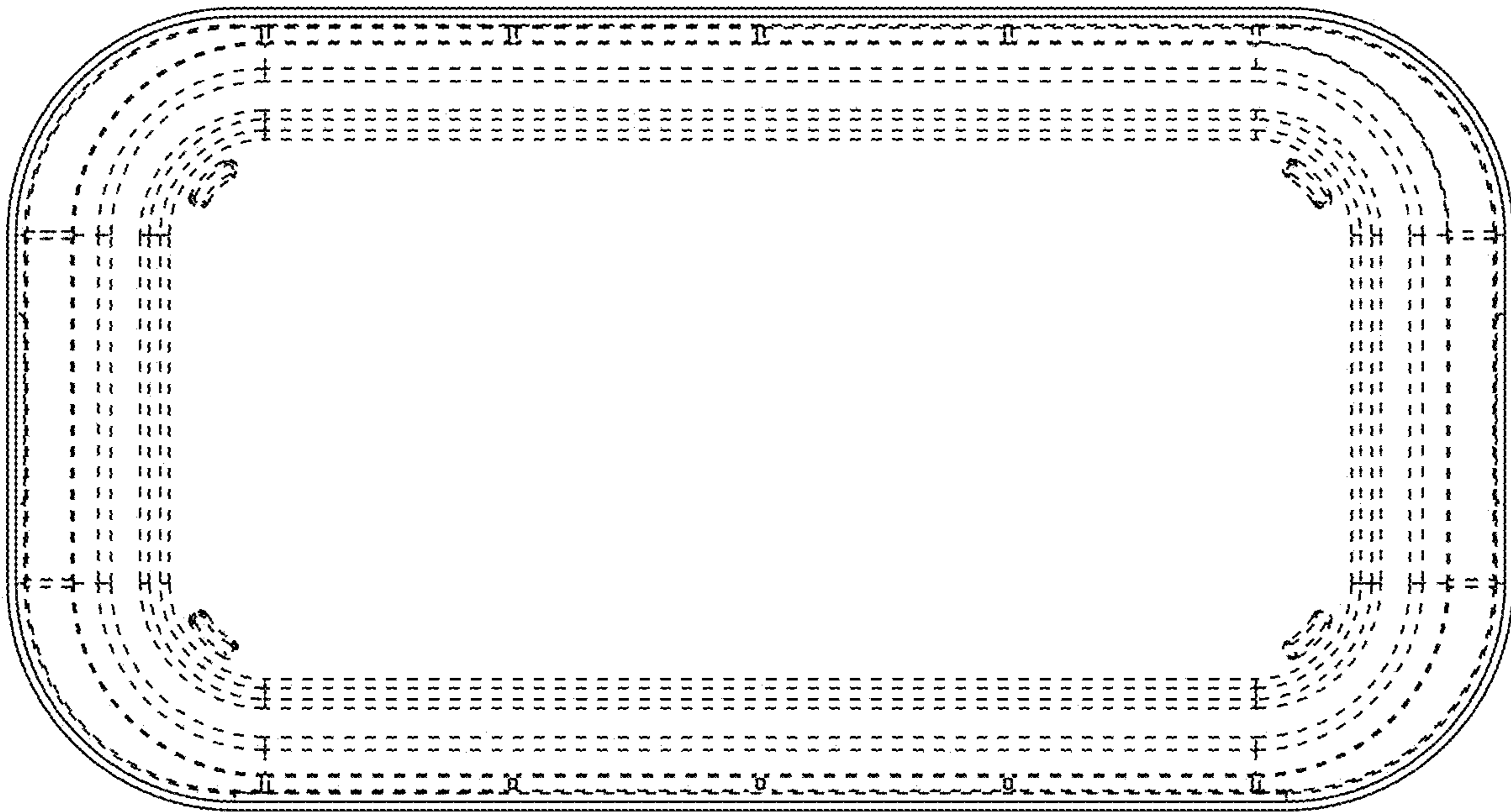


FIG. 5

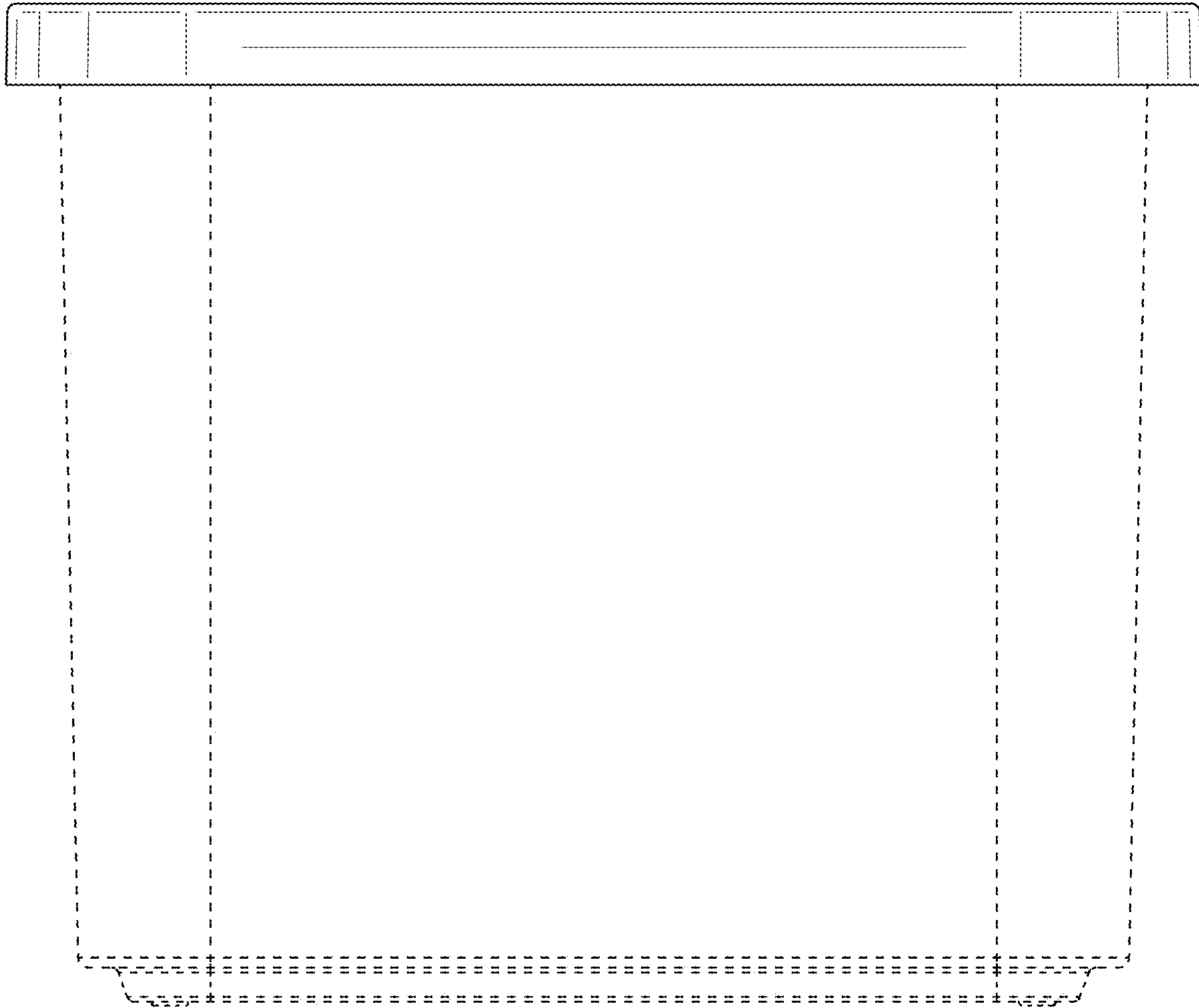


FIG. 6

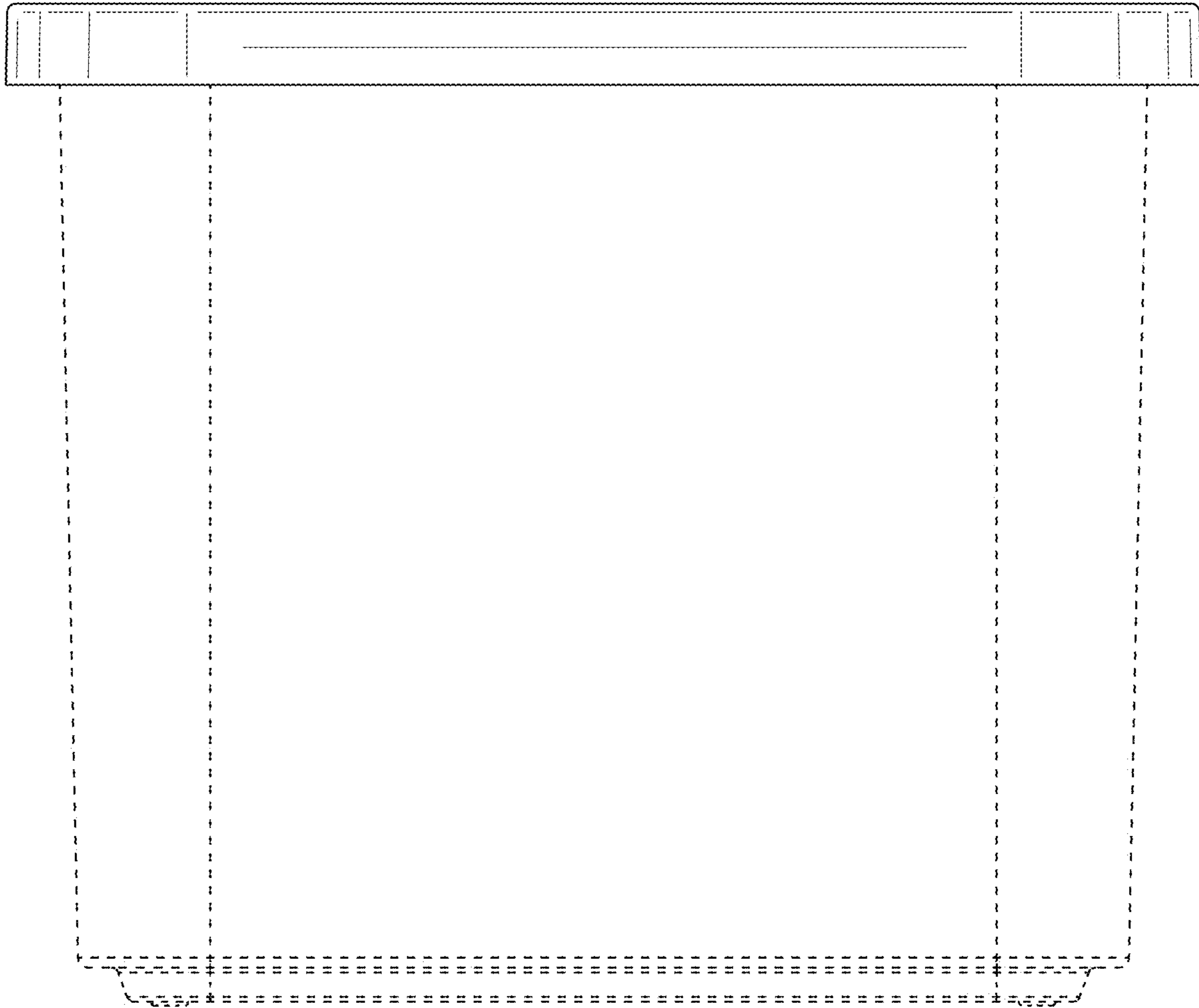


FIG. 7

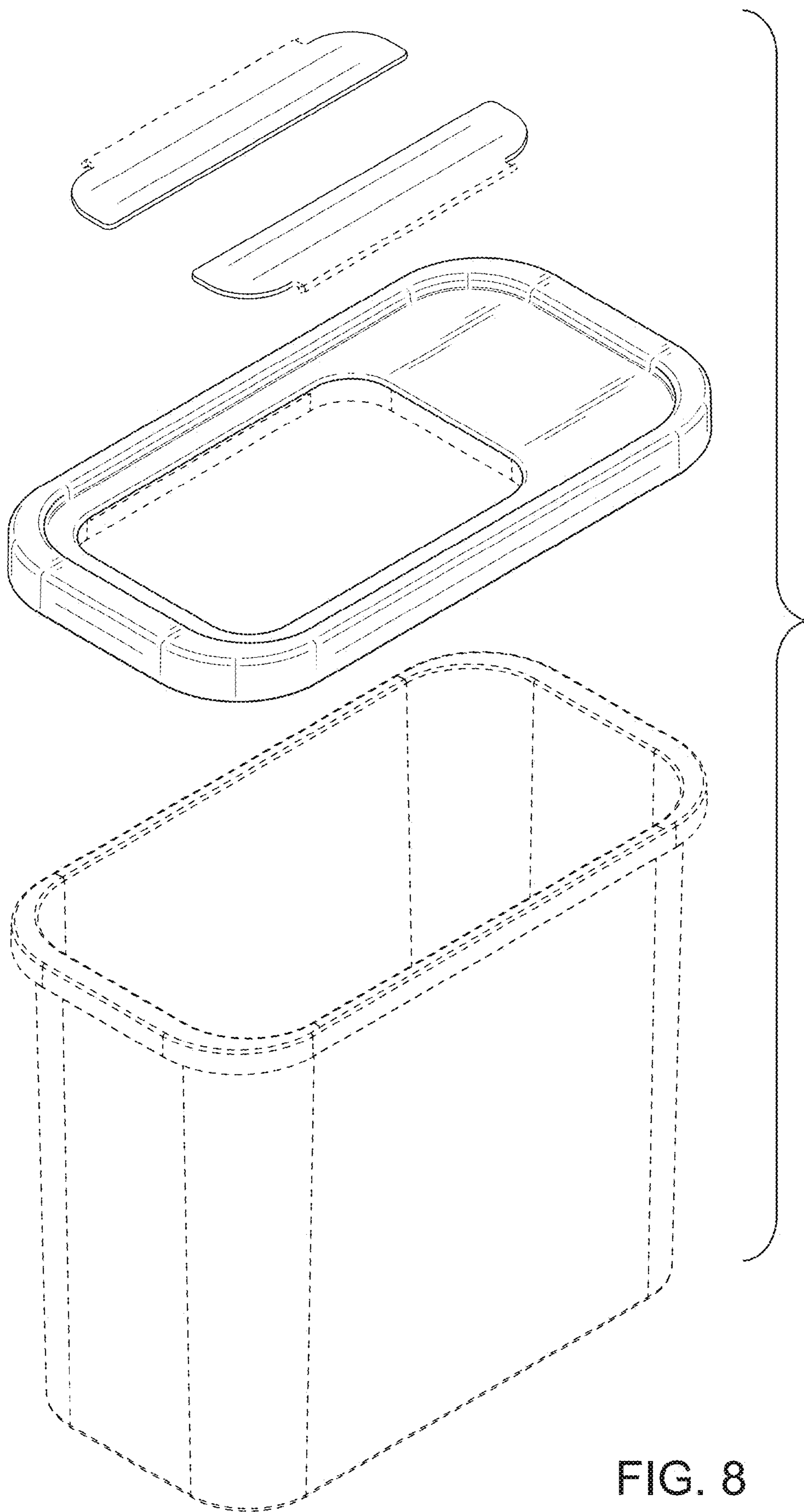


FIG. 8

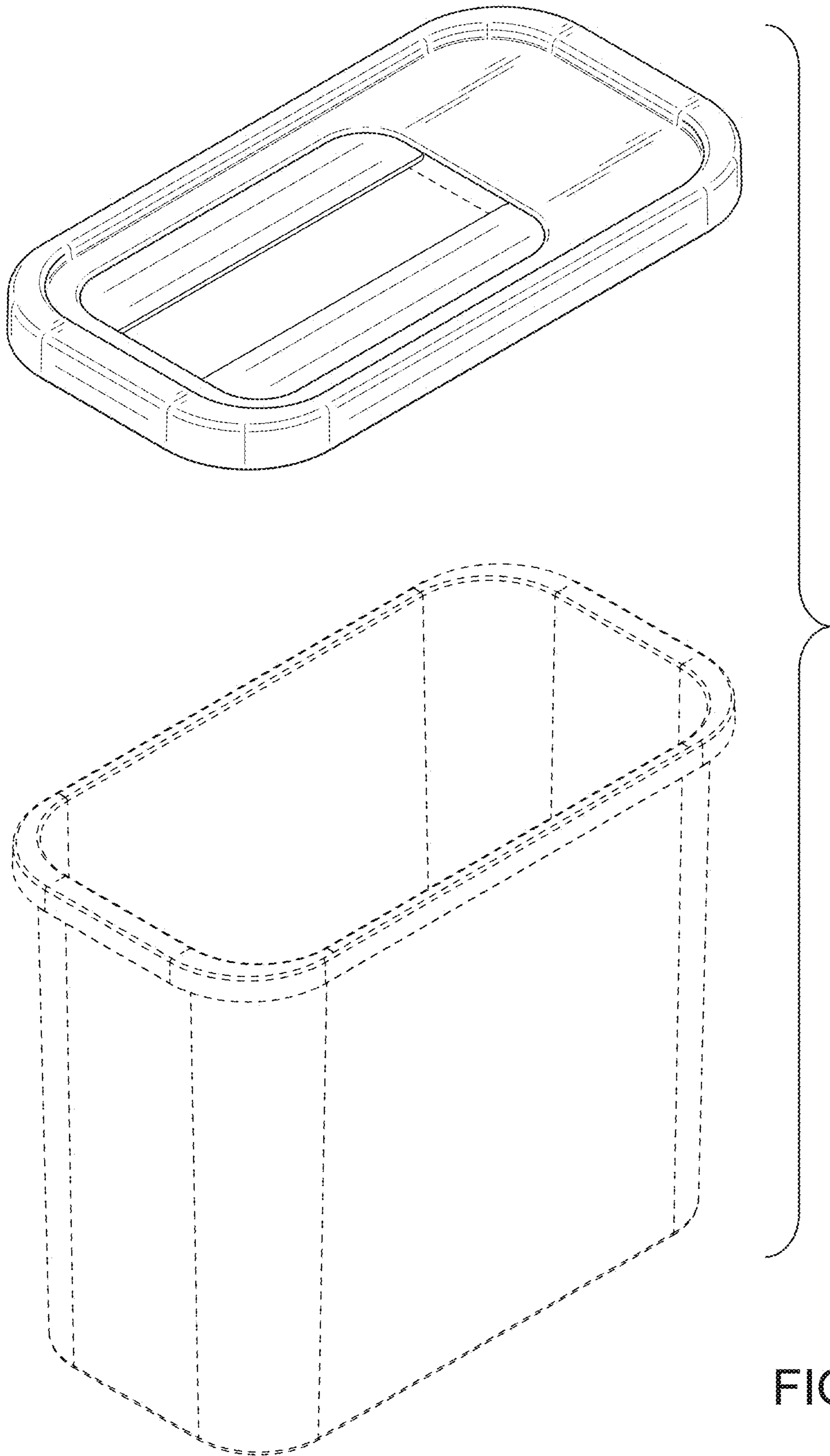


FIG. 9