



US00D939172S

(12) **United States Design Patent** (10) **Patent No.:** **US D939,172 S**
Ancheta et al. (45) **Date of Patent:** **** Dec. 21, 2021**

- (54) **STEP-ON DUSTPAN**
- (71) Applicant: **Carl Freudenberg KG**, Weinheim (DE)
- (72) Inventors: **Robert Ancheta**, Aurora, IL (US); **Doug Metzel**, Lombard, IL (US)
- (73) Assignee: **Carl Freudenberg KG**, Weinheim (DE)
- (**) Term: **15 Years**
- (21) Appl. No.: **29/728,539**
- (22) Filed: **Mar. 19, 2020**
- (51) **LOC (13) Cl.** **07-05**
- (52) **U.S. Cl.**
USPC **D32/74**
- (58) **Field of Classification Search**
USPC D32/74, 41; D30/162; D7/691, 688; D4/116; 15/257.5, 257.3, 257.2, 257.1; 134/6
CPC A47L 13/52; A47L 13/51; A46B 15/00; A46B 15/0097; A46B 15/0095; A46B 17/04; A46B 5/00; A46B 2200/302
See application file for complete search history.

- D819,913 S * 6/2018 Beyda D32/74
- D835,371 S * 12/2018 Thompson D32/74
- D838,074 S * 1/2019 Mangano D32/74
- D840,627 S * 2/2019 Libman D32/74
- D881,497 S * 4/2020 Libman D32/74

* cited by examiner

Primary Examiner — Austin Murphy
 (74) *Attorney, Agent, or Firm* — Leydig, Voit & Mayer, Ltd.

(57) **CLAIM**

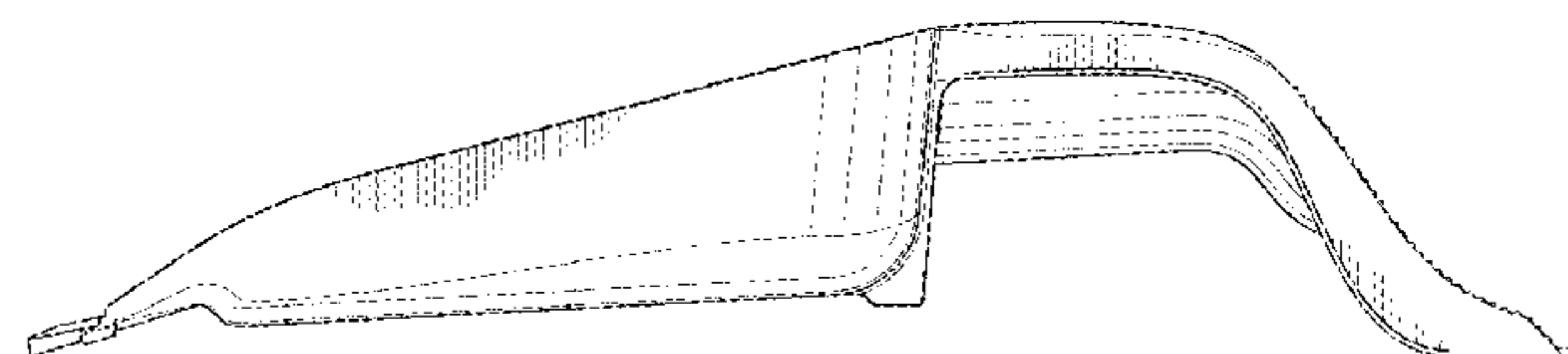
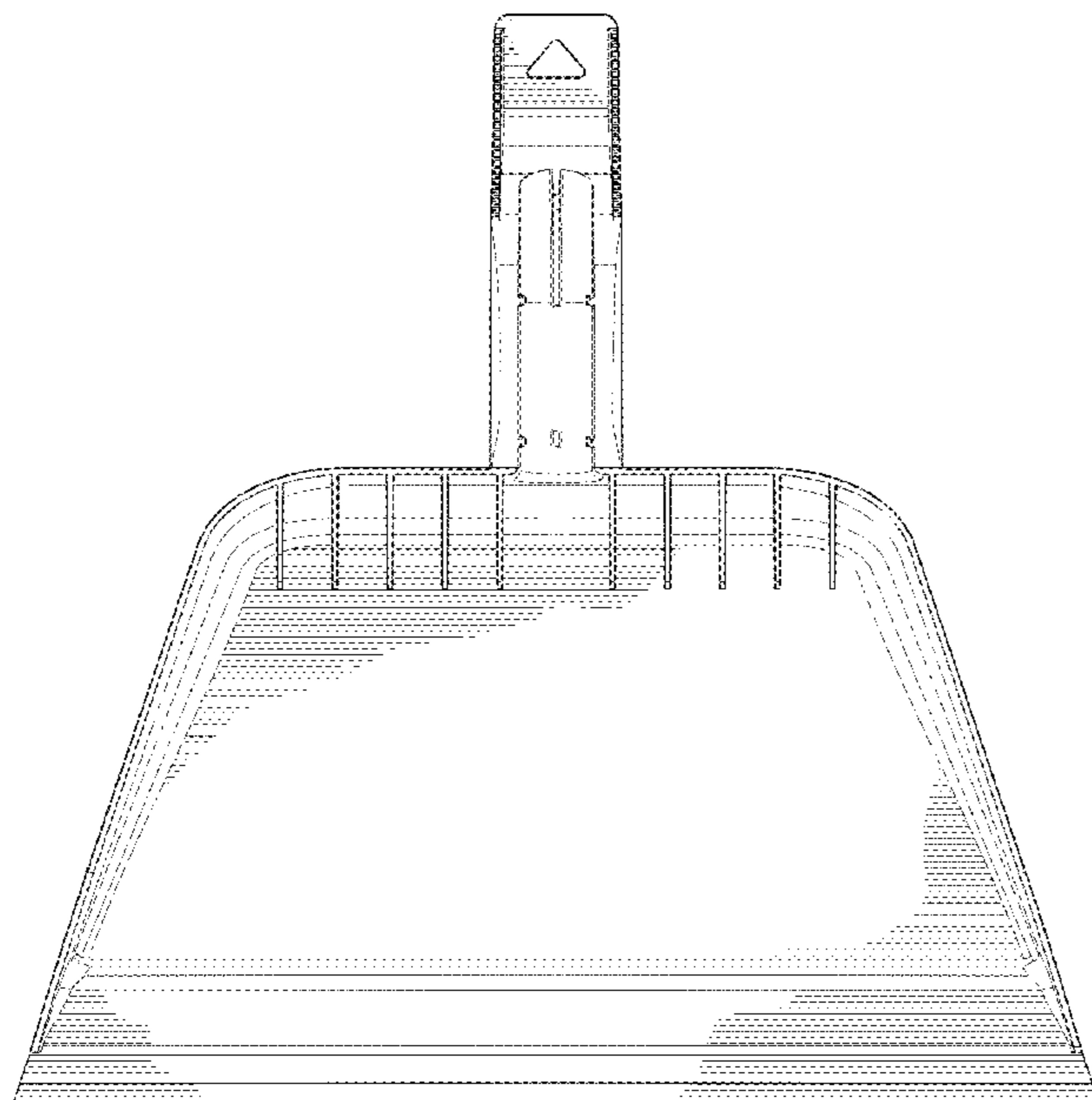
The ornamental design for the step-on dustpan, as shown and described.

DESCRIPTION

FIG. 1 is a front perspective view of a step-on dustpan according to the disclosure.
 FIG. 2 is a rear perspective view of the step-on dustpan according to the disclosure.
 FIG. 3 is a top plan view of the step-on dustpan according to the disclosure.
 FIG. 4 is a bottom plan view of the step-on dustpan according to the disclosure.
 FIG. 5 is a first side plan view of the step-on dustpan according to the disclosure.
 FIG. 6 is a second side plan view of the step-on dustpan according to the disclosure.
 FIG. 7 is a front plan view of the step-on dustpan according to the disclosure; and,
 FIG. 8 is a rear plan view of the step-on dustpan according to the disclosure.

1 Claim, 6 Drawing Sheets

- (56) **References Cited**
U.S. PATENT DOCUMENTS
- D145,887 S * 11/1946 Fox D32/74
- D389,629 S * 1/1998 France D32/74
- D393,120 S * 3/1998 Leonard 15/257.1
- D462,529 S * 9/2002 Best D32/74
- D687,204 S * 7/2013 Vasilakes D32/74
- D720,910 S * 1/2015 Seifts D32/74
- D721,463 S * 1/2015 Kandasamy D32/74



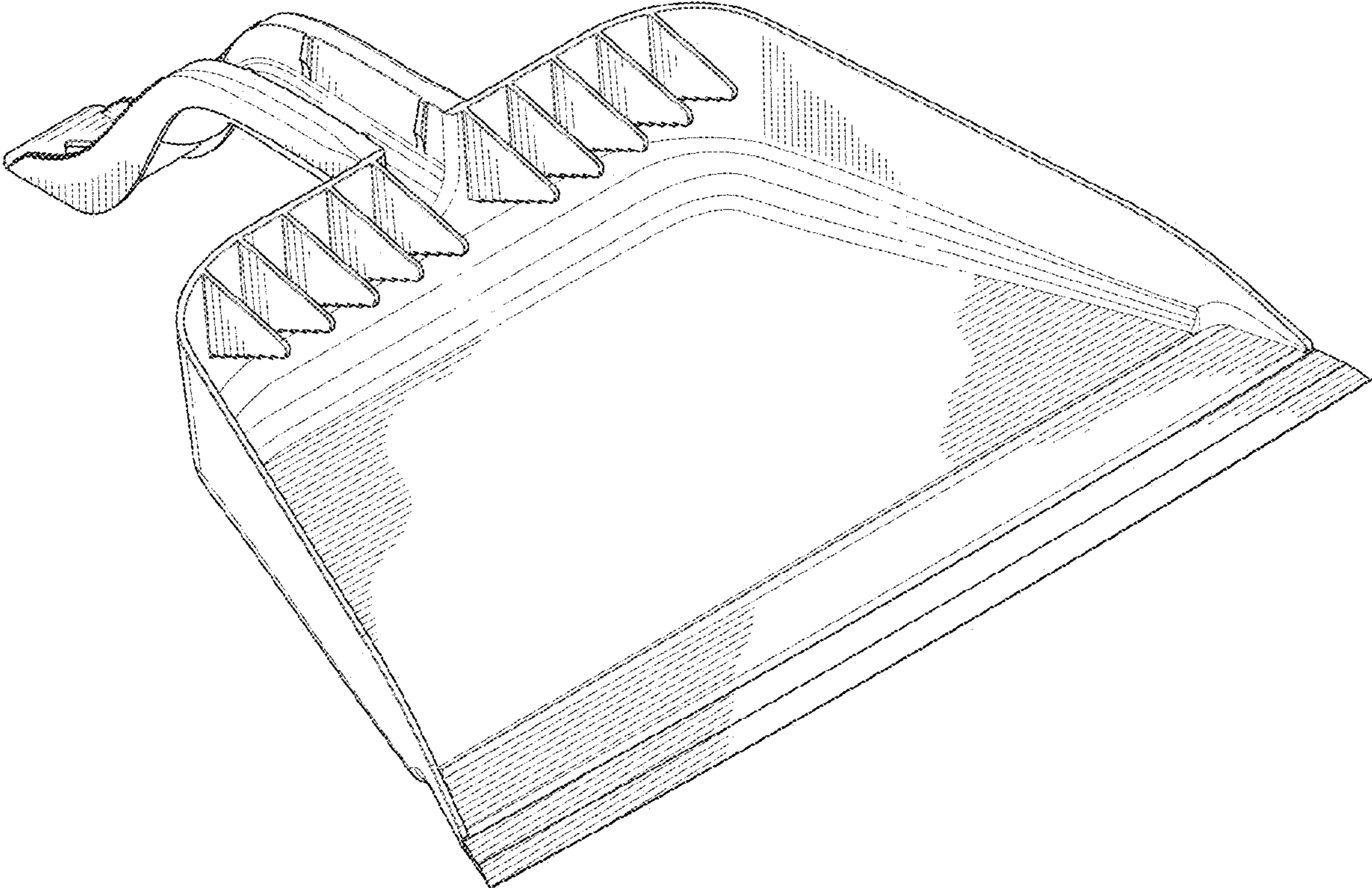


FIG. 1

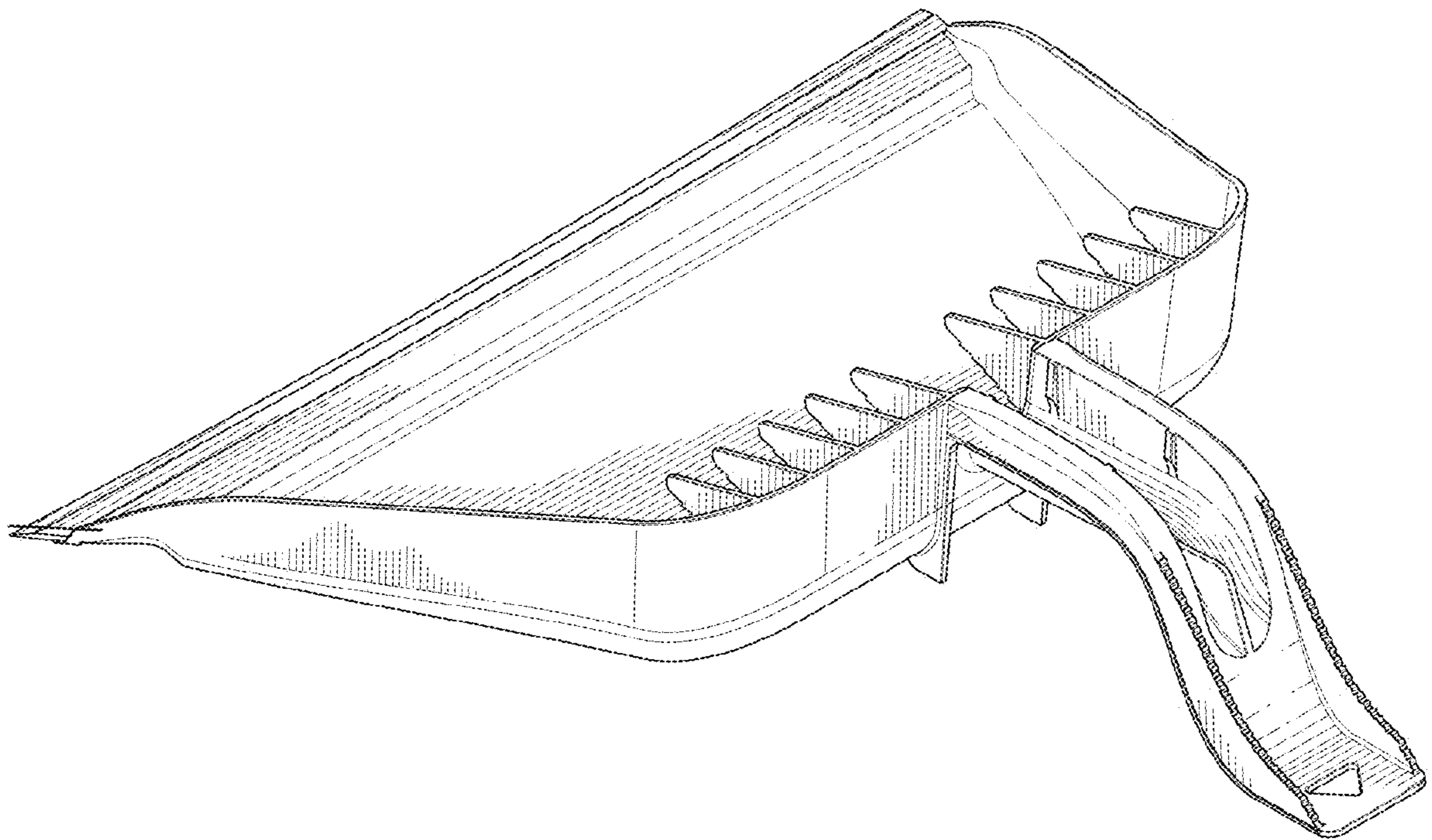


FIG. 2

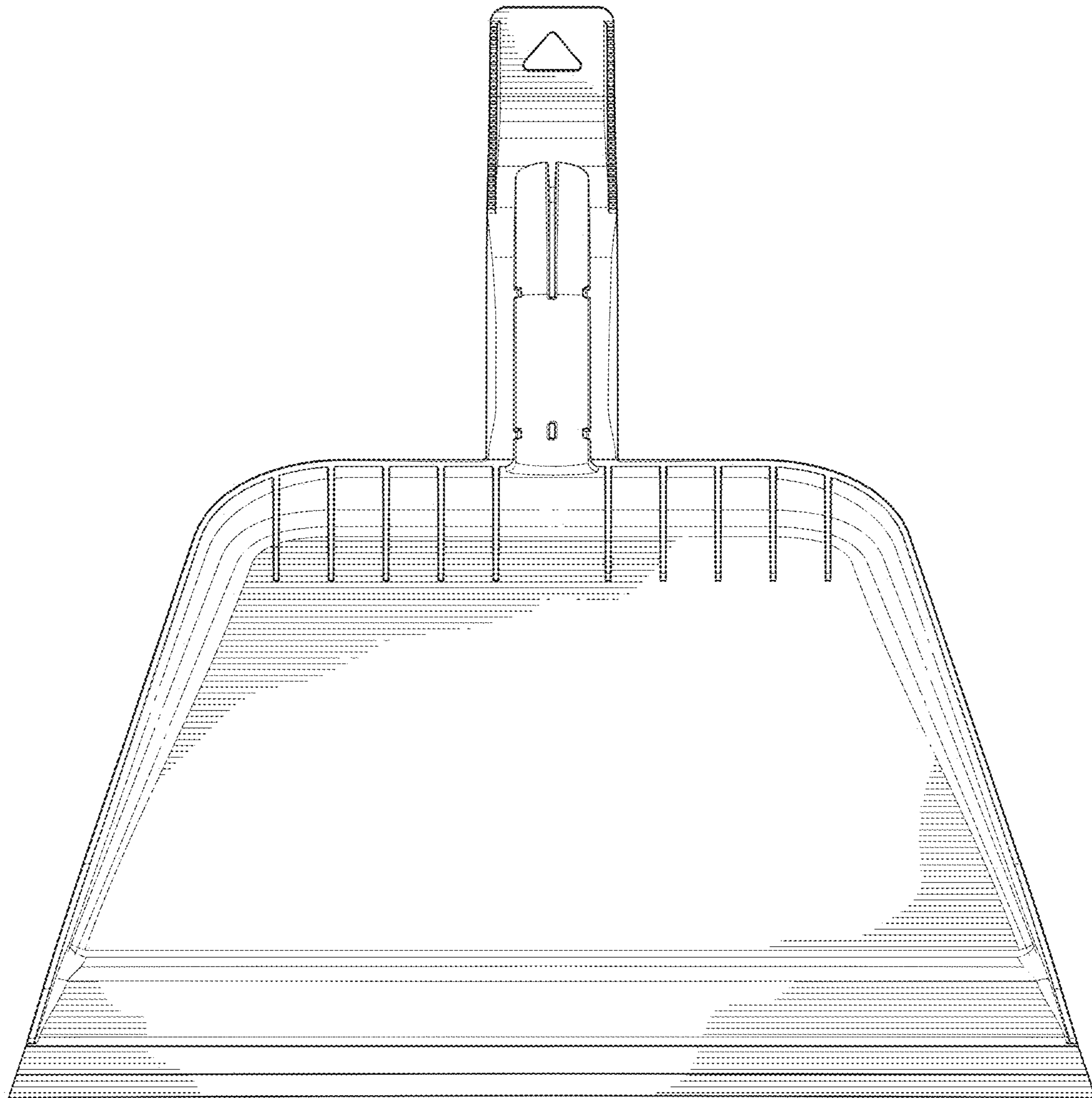


FIG. 3

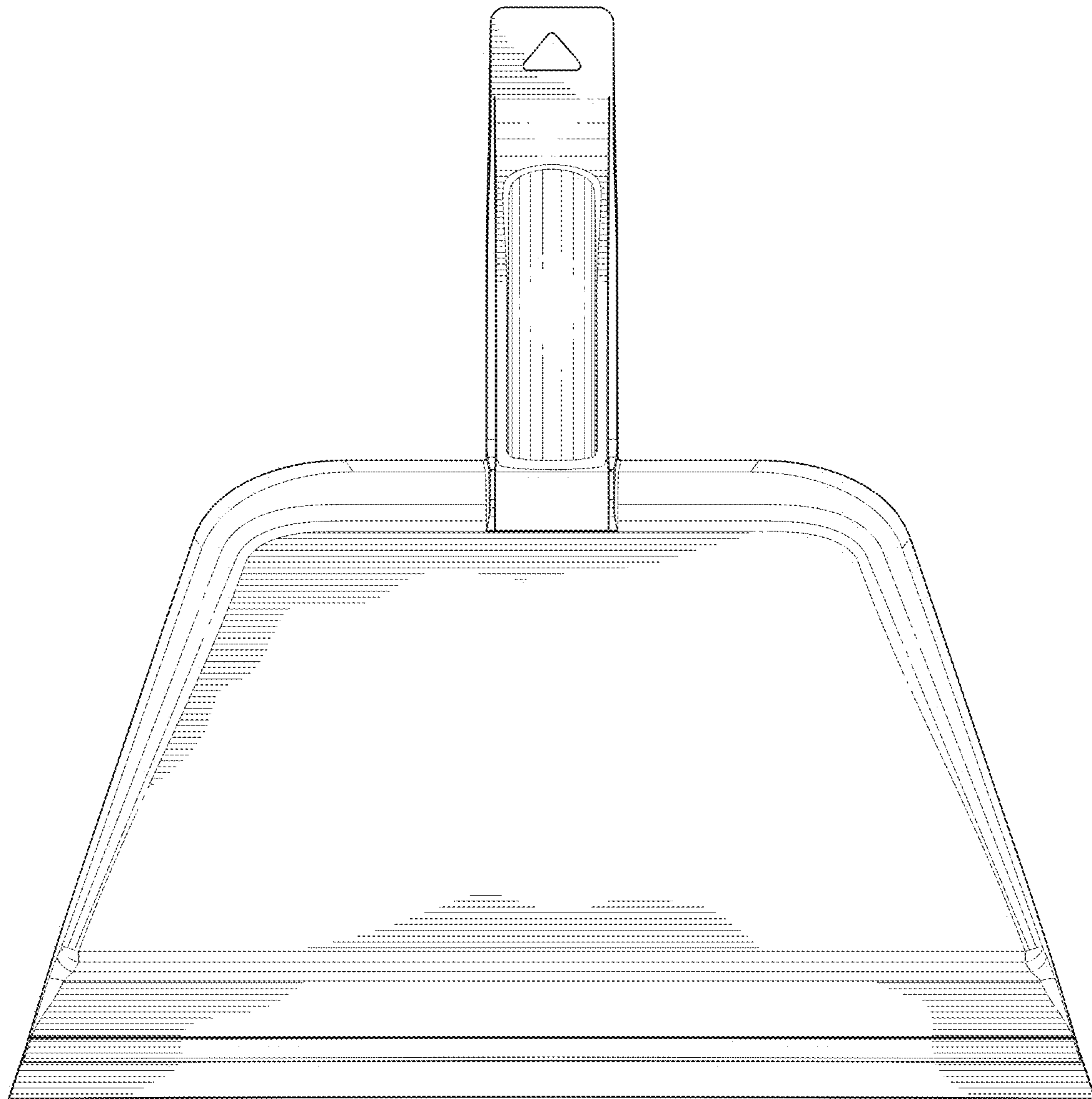


FIG. 4

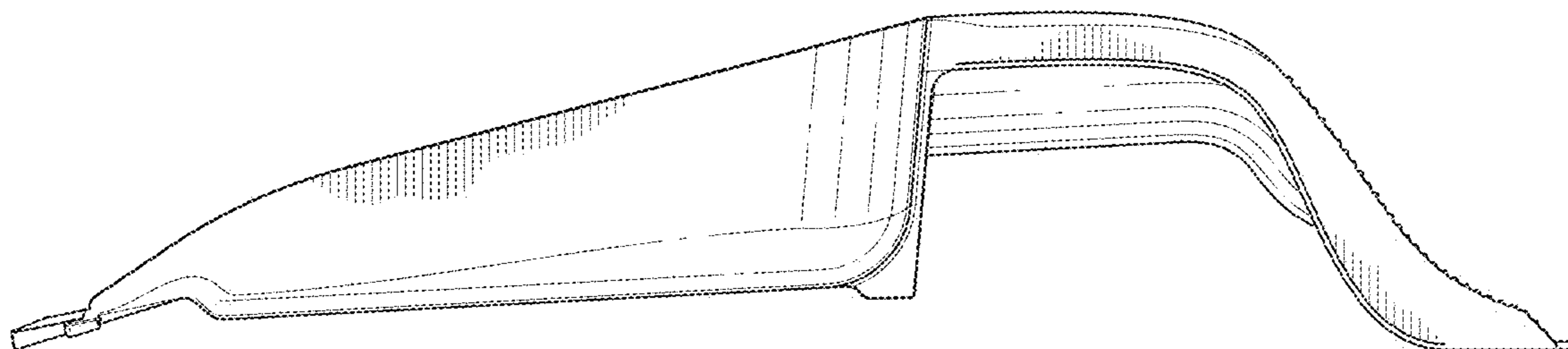


FIG. 5

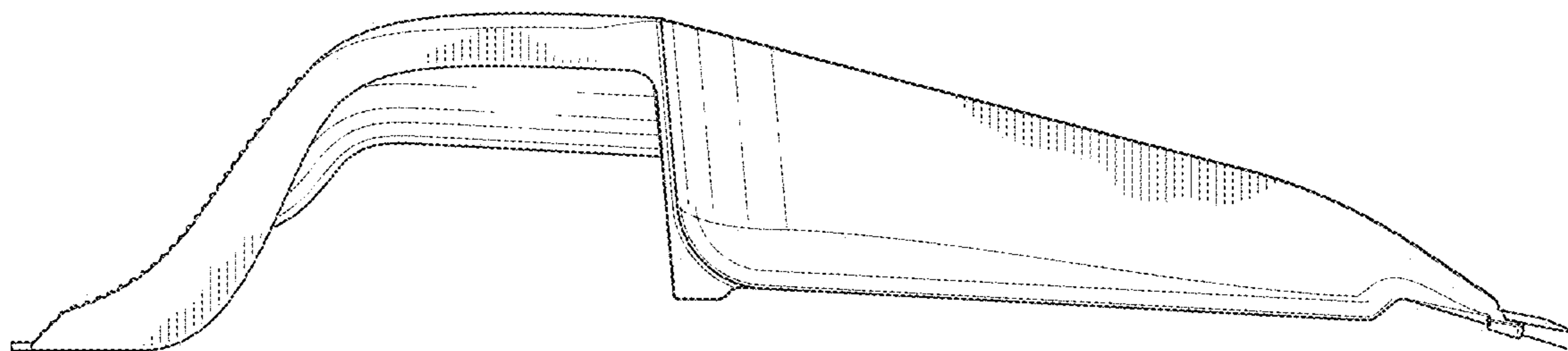


FIG. 6

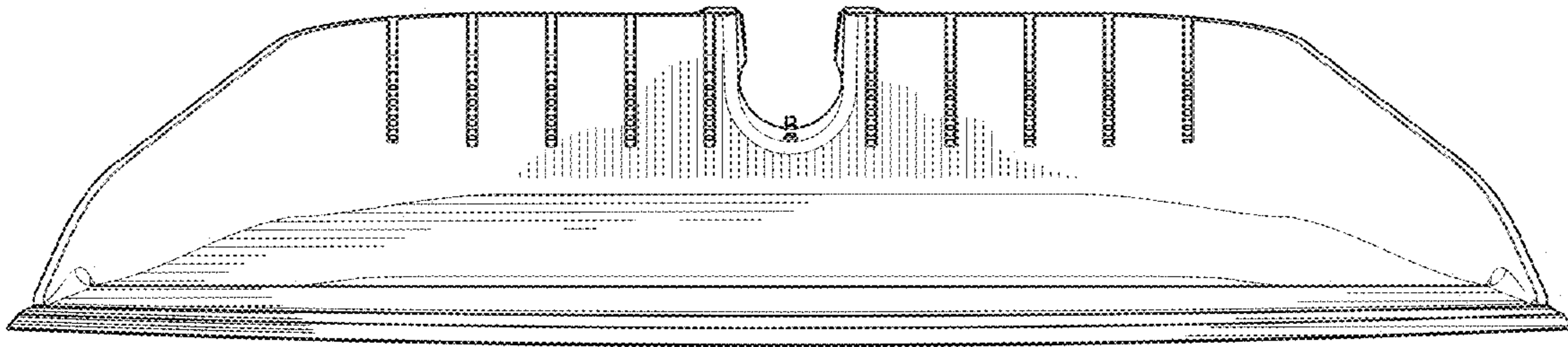


FIG. 7

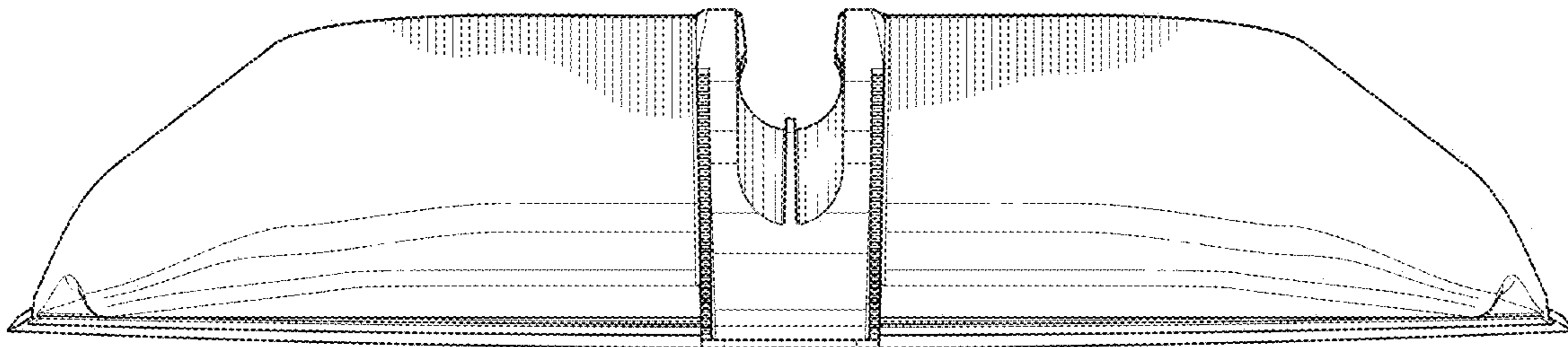


FIG. 8