



US00D939171S

(12) **United States Design Patent** (10) **Patent No.:** **US D939,171 S**
Zheng (45) **Date of Patent:** **** Dec. 21, 2021**

(54) **SKI WAX IRON**
(71) Applicant: **Zhouyang Zheng**, Longyan (CN)
(72) Inventor: **Zhouyang Zheng**, Longyan (CN)
(**) Term: **15 Years**
(21) Appl. No.: **29/773,850**
(22) Filed: **Mar. 11, 2021**
(51) **LOC (13) Cl.** **07-05**
(52) **U.S. Cl.**
USPC **D32/70**
(58) **Field of Classification Search**
USPC D7/412; D14/426; D15/122; D32/15,
D32/17, 18, 21, 68, 70, 71, 73; D8/14,
D8/29.2; D23/14
CPC B44C 7/027; A01N 47/34; D06F 75/20
See application file for complete search history.

D466,261 S * 11/2002 Wu D32/70
D526,846 S * 8/2006 Kim D7/412
D555,312 S * 11/2007 Choi D32/69
D743,662 S 11/2015 Osborn et al.
D745,238 S 12/2015 Orthey et al.
D774,034 S * 12/2016 Kheradpir D14/426
D799,772 S 10/2017 Choi
D827,956 S * 9/2018 Spratt D32/21
D832,547 S 10/2018 Vu et al.
D843,674 S * 3/2019 Buckley D32/70
D845,573 S * 4/2019 Li D32/70

(Continued)

OTHER PUBLICATIONS

Swix Economy Waxing Iron <https://www.rei.com/product/877433/swix-economy-waxing-iron> (Year: 2015).*

(Continued)

Primary Examiner — Michelle E. Wilson
Assistant Examiner — Richard E Yenchesky
(74) *Attorney, Agent, or Firm* — Xiaofang Zhong; Law Office of Xiaofang Zhong, PLLC

(56) **References Cited**

U.S. PATENT DOCUMENTS

D275,602 S 9/1984 Wicksell et al.
4,532,411 A * 7/1985 Terrailon D06F 75/20
219/228
4,583,260 A * 4/1986 Zai A01N 47/34
15/320
D295,142 S 4/1988 Patrick
4,833,298 A * 5/1989 Wilkins B44C 7/027
392/399
4,835,364 A * 5/1989 Wilkins B44C 7/027
392/399
4,990,745 A * 2/1991 Bayles B44C 7/027
392/386
D316,465 S * 4/1991 Reiferscheid D32/17
D322,752 S 12/1991 Zintzmeyer
D337,051 S 7/1993 Harbeke
D362,944 S 10/1995 Sham et al.
D368,558 S * 4/1996 Wolfe D32/18
D374,527 S * 10/1996 Gudefin D32/68
D389,969 S 1/1998 Dziersk

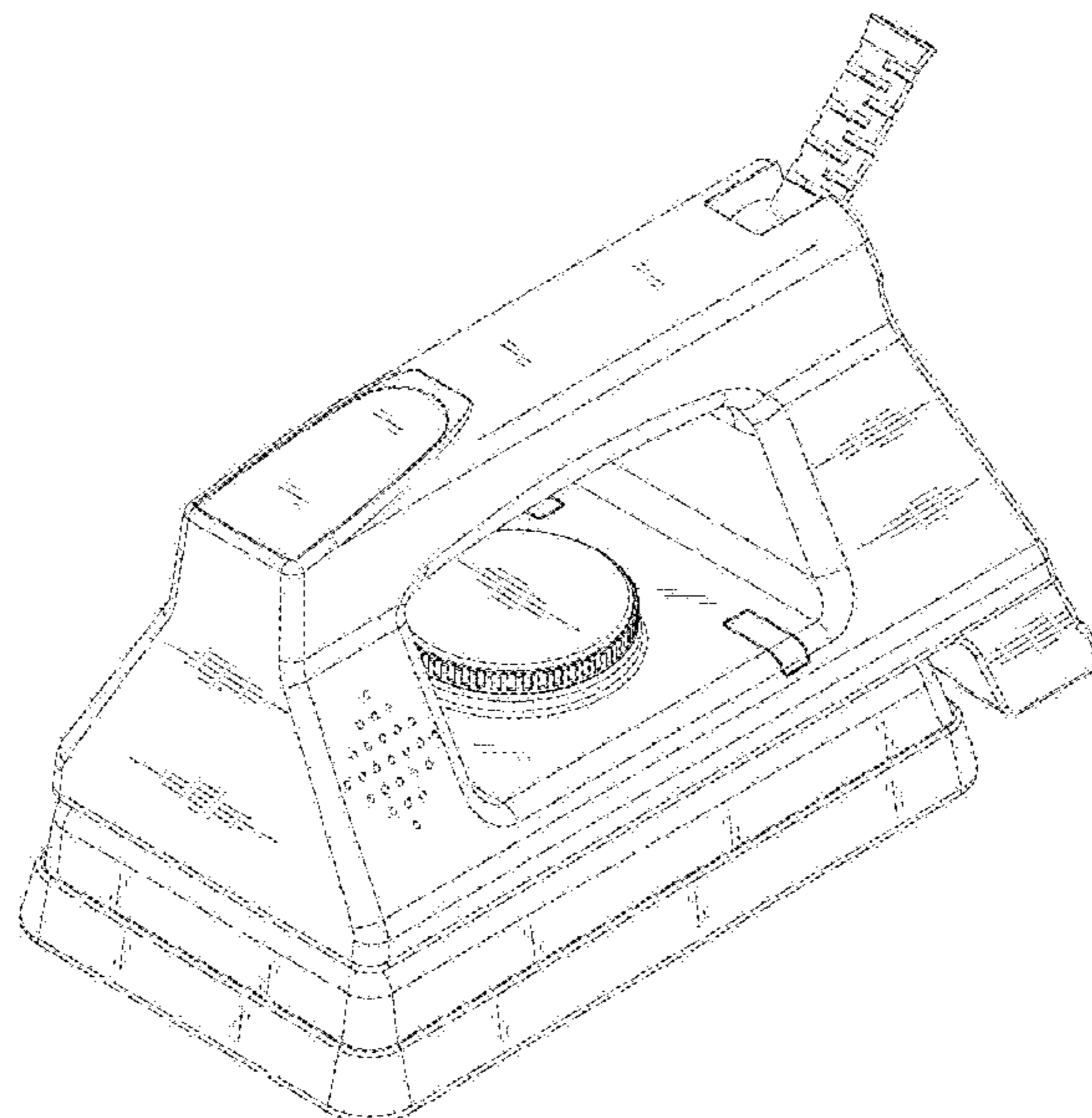
(57) **CLAIM**

The ornamental design for a ski wax iron, as shown and described.

DESCRIPTION

FIG. 1 is a perspective view of a ski wax iron showing my new design;
FIG. 2 is a front elevational view thereof;
FIG. 3 is a back elevational view thereof;
FIG. 4 is a right-side elevational view thereof;
FIG. 5 is a left-side elevational view thereof;
FIG. 6 is a top plan view thereof; and,
FIG. 7 is a bottom plan view thereof.
The broken lines in the drawings depict part of the ski wax iron that form no part of the claimed design.

1 Claim, 7 Drawing Sheets



(56)

References Cited

U.S. PATENT DOCUMENTS

D893,566 S * 8/2020 Chen D15/122
D904,704 S * 12/2020 Buckley D32/15
D915,020 S * 3/2021 Koszylko D32/73
D915,696 S * 4/2021 Huang D32/17
D925,853 S * 7/2021 Ediger D32/70
D927,114 S * 8/2021 Bae D32/73

OTHER PUBLICATIONS

Star Digital Wax Iron <https://omcgear.com/star-digital-wax-iron/>
(Year: 2021).*

Demon Slide Wax Iron <https://demon-united.com/products/demon-slide-wax-iron-110-220> (Year: 2021).*

* cited by examiner

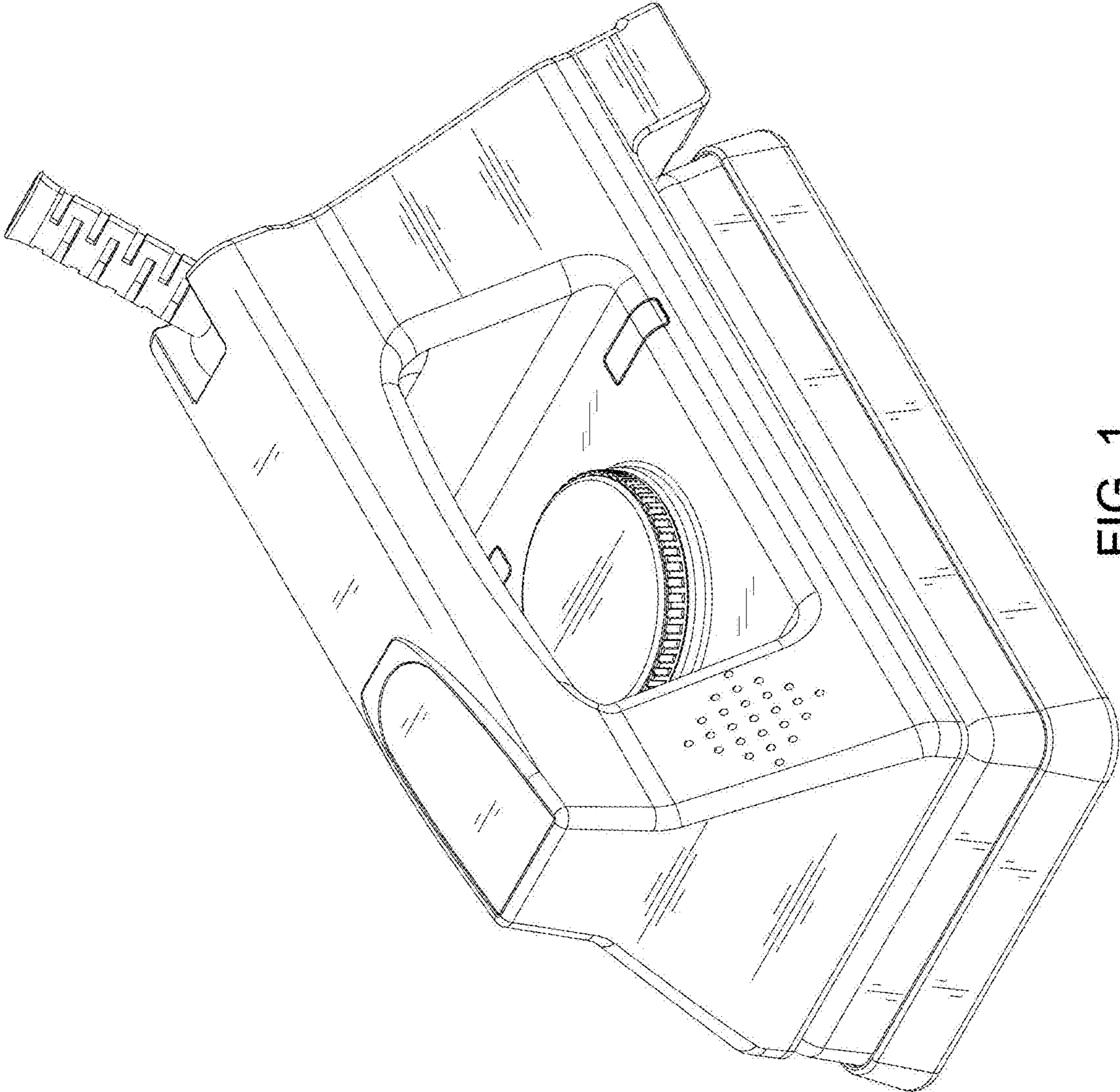


FIG. 1

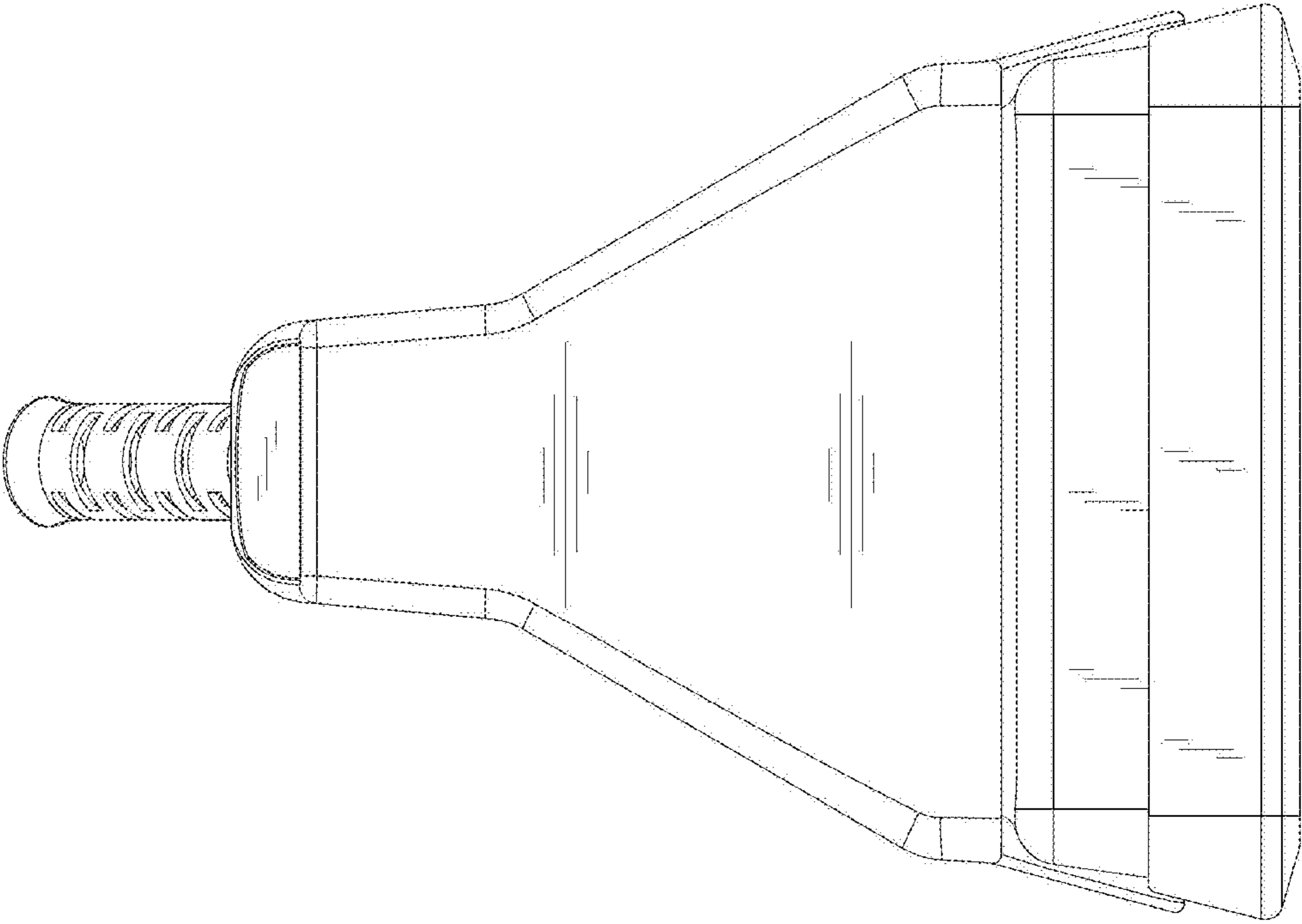


FIG. 2

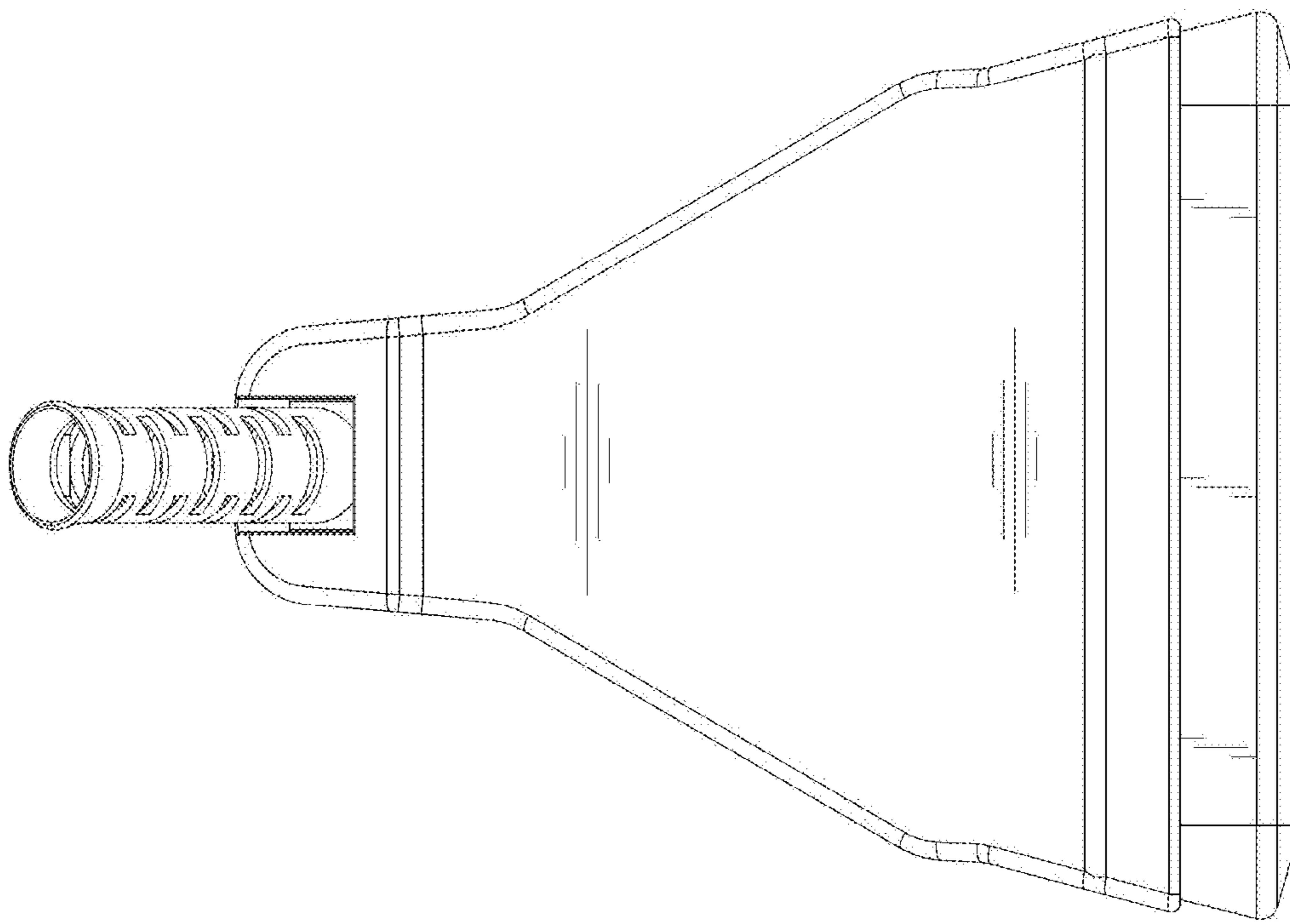


FIG. 3

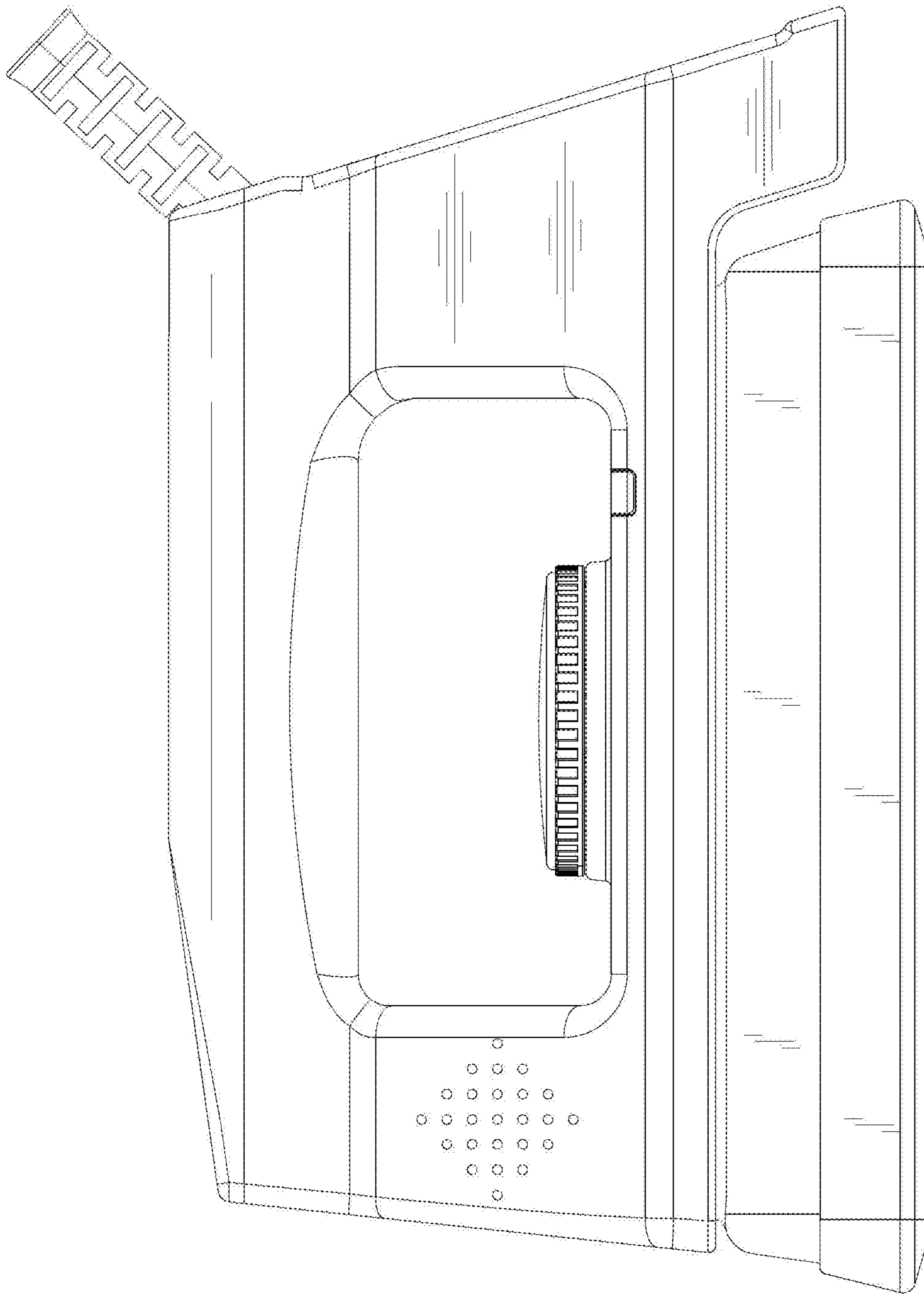


FIG. 4

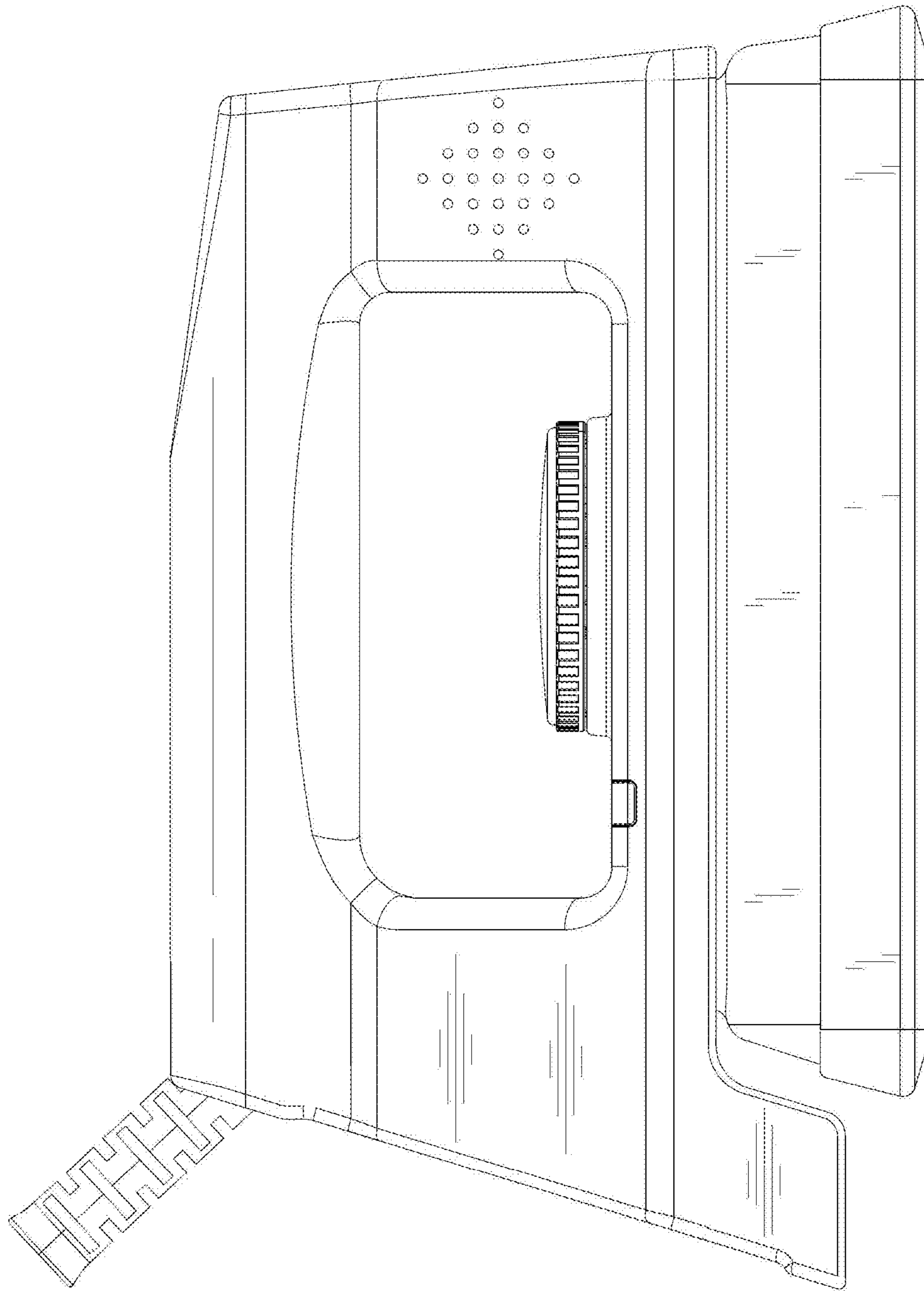


FIG. 5

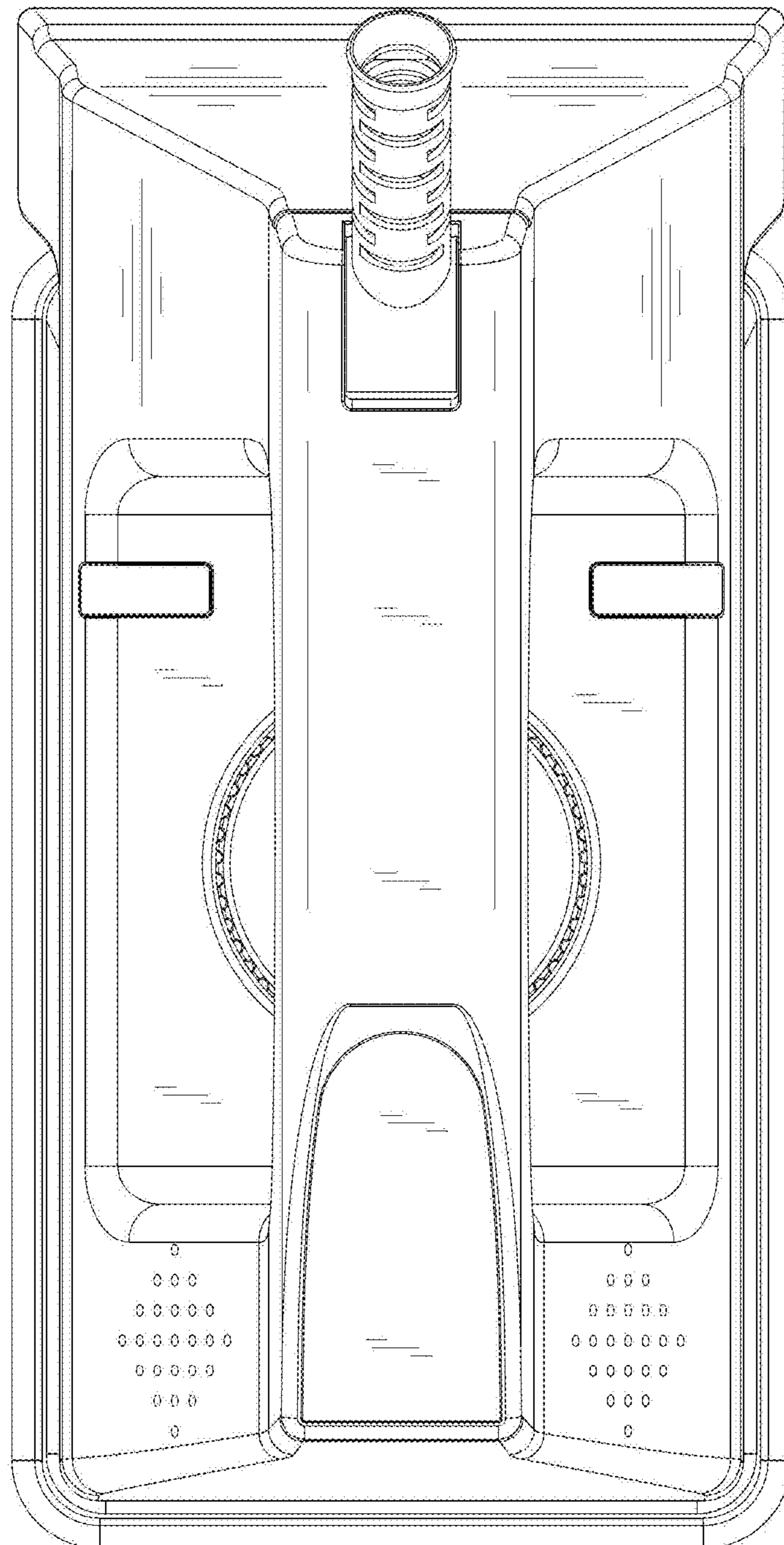


FIG. 6

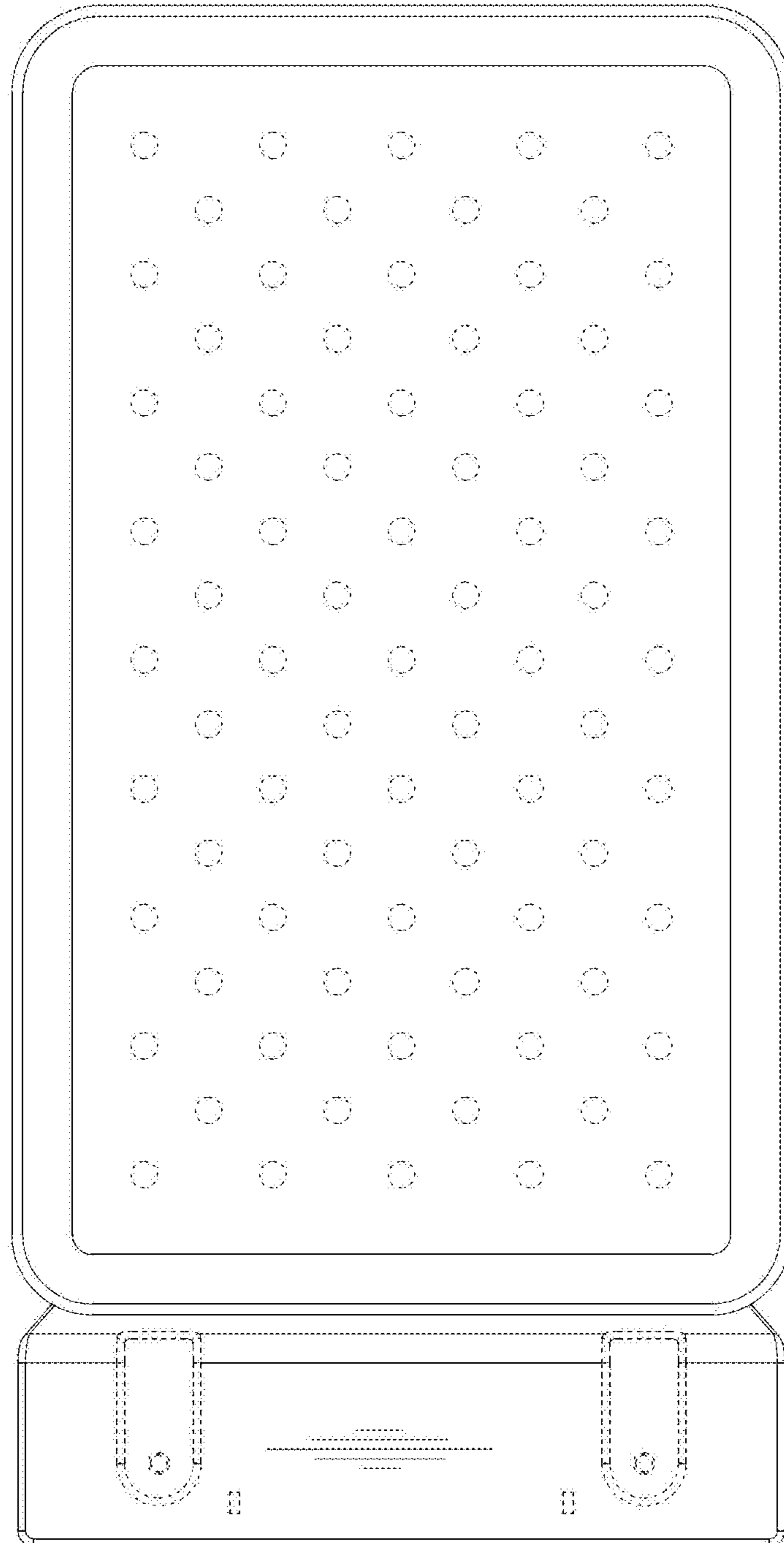


FIG. 7