

US00D939170S

(12) **United States Design Patent** (10) **Patent No.:** **US D939,170 S**
Park et al. (45) **Date of Patent:** **** Dec. 21, 2021**

(54) **IRONING BOARD WITH IRON STAND**

FOREIGN PATENT DOCUMENTS

(71) Applicant: **LG ELECTRONICS INC.**, Seoul (KR)

CN 3497728 * 1/2006
CN 304575822 * 4/2018

(Continued)

(72) Inventors: **Kyutae Park**, Seoul (KR); **Hoil Jeon**, Seoul (KR); **Youngsoo Ha**, Seoul (KR); **Kyungah Lee**, Seoul (KR); **Jaecil Bae**, Seoul (KR)

OTHER PUBLICATIONS

10 Best Ironing Boards to Buy in 2021, available in www.goodhousekeeping.com, announced May 24, 2021 [online], [site visited Nov. 16, 2020], Internet URL: https://www.goodhousekeeping.com/home-products/g36343446/best-ironing-board/ (Year: 2021).*

(Continued)

(73) Assignee: **LG Electronics Inc.**, Seoul (KR)

(**) Term: **15 Years**

Primary Examiner — Dana K Weiland

Assistant Examiner — Jennylou M Binas

(21) Appl. No.: **29/752,854**

(22) Filed: **Sep. 29, 2020**

(74) *Attorney, Agent, or Firm* — Birch, Stewart, Kolasch & Birch, LLP

(30) **Foreign Application Priority Data**

Apr. 17, 2020 (KR) 30-2020-0017186

(51) **LOC (13) Cl.** **07-05**

(52) **U.S. Cl.**
USPC **D32/66**

(58) **Field of Classification Search**
USPC D32/6, 9, 35, 60, 66, 67, 73; D21/526; D6/567, 574, 668, 691.1, 691.3, 691.4, D6/691.6; D8/71, 373
CPC A47B 39/06; D06F 81/00; D06F 81/003; D06F 81/006; D06F 81/02; D06F 81/04; D06F 81/06; D06F 81/08; D06F 81/12; D06F 83/00; Y10S 38/02; Y10S 38/03; Y10T 292/305
See application file for complete search history.

(57) **CLAIM**

We claim the ornamental design for an ironing board with iron stand, as shown and described.

DESCRIPTION

FIG. 1 is a perspective view of an ironing board with iron stand showing the new design;
FIG. 2 is a front elevation view thereof;
FIG. 3 is a rear elevation view thereof;
FIG. 4 is a left-side elevation view thereof;
FIG. 5 is a right-side elevation view thereof;
FIG. 6 is a top plan view thereof;
FIG. 7 is a bottom plan view thereof; and,
FIG. 8 is a perspective view showing a state of use thereof. The broken lines shown in FIG. 8 are for the purpose of illustrating environment and form no part of the claimed design.

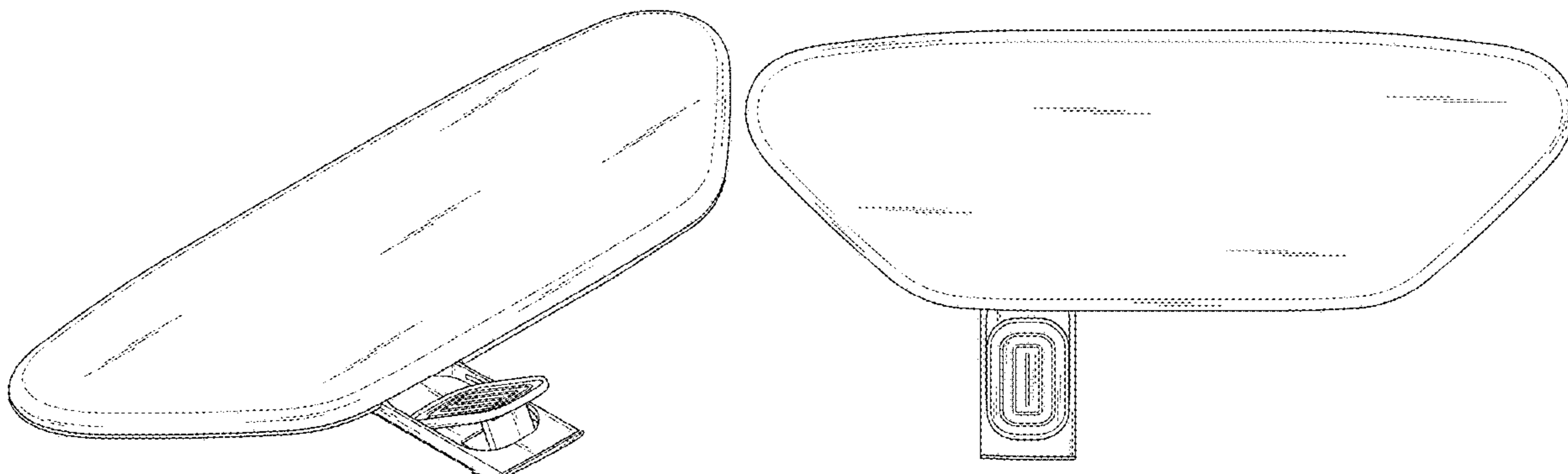
(56) **References Cited**

U.S. PATENT DOCUMENTS

268,246 A * 11/1882 Lake D06F 41/00 68/214
D20,770 S * 5/1891 Sargent D32/67
642,685 A * 2/1900 Farley D06F 79/02 248/117.3

(Continued)

1 Claim, 8 Drawing Sheets



(56)

References Cited

U.S. PATENT DOCUMENTS

D124,329 S * 12/1940 Parker D32/66
 D158,426 S * 5/1950 Wilson D32/73
 2,567,056 A * 9/1951 Coumerilh D06F 81/08
 38/103
 3,212,742 A * 10/1965 Pavoni D06F 81/003
 248/117.1
 D210,315 S * 2/1968 Tarwater et al. D32/73
 4,125,192 A * 11/1978 Dayen A63B 60/60
 211/14
 4,779,365 A * 10/1988 Theeten D06F 81/00
 108/59
 D326,487 S * 5/1992 Monneret D21/526
 D348,338 S * 6/1994 Stutzer D32/66
 D426,040 S * 5/2000 Wicky D32/66
 D426,590 S * 6/2000 Lan D21/526
 D452,596 S * 12/2001 de Wit D32/66
 D459,044 S * 6/2002 Felsenthal D32/66
 D502,302 S * 2/2005 Verbeek D32/73
 D514,766 S * 2/2006 Manfiotto D32/66
 D546,515 S * 7/2007 Wicky D32/66
 D546,516 S * 7/2007 Henderson D32/66
 D549,915 S * 8/2007 Pastrana-Rangel D32/67
 D614,375 S * 4/2010 Van Beuningen D32/73
 D704,912 S * 5/2014 Gameiro D32/66
 D706,006 S * 5/2014 Sabounjian D32/66

FOREIGN PATENT DOCUMENTS

GB 2082260 * 9/1999
 GB 6002477 * 11/2016

JP D1197988 * 2/2004
 RU 00124527 * 3/2021
 WO D206441-001 * 8/2021

OTHER PUBLICATIONS

Brabantia Ironing Board, available in Amazon.ca, date first available Mar. 24, 2018 [online], [site visited Sep. 21, 2021], Available from the internet URL: https://www.amazon.ca/dp/B00JB6ARF2/ref=cm_sw_r_awdo_navT_g_3AX7PM7KJV16AP3XYXCP (Year: 2018).*

Minky Homecare Velocity Ironing Board, available in walmart.com, customer review oldest date Nov. 24, 2018 [online], [site visited Sep. 22, 2021], Available from the internet URL: <https://www.walmart.com/ip/Minky-Homecare-Velocity-Ironing-Board/222009478> (Year: 2018).*

Flash Furniture Trapezoid Table, available in Amazon.com, date 1st available Mar. 26, 2012 [online], [site visited Sep. 21, 2021], Available internet URL: https://www.amazon.com/Flash-Furniture-Trapezoid-Laminate-Activity/dp/B00777WHJQ/ref=sr_1_1?dchild=1&keywords=B00777WHJQ&qid=1632242139&s=home-garden&sr=1-1 (Year: 2012).*

Brabantia Ironing Board with Solid Steam Iron Rest, available in Amazon.ca, date 1st available Mar. 19, 2018 [online], [site visited Sep. 21, 2021] Available URL: https://www.amazon.ca/Brabantia-Ironing-Board-Solid-Steam/dp/B01GDTYETY/ref=sr_1_1?dchild=1&keywords=B01GDTYETY&qid=1632256577&s=kitchen&sr=1-1 (Year: 2018).*

* cited by examiner

FIG. 1

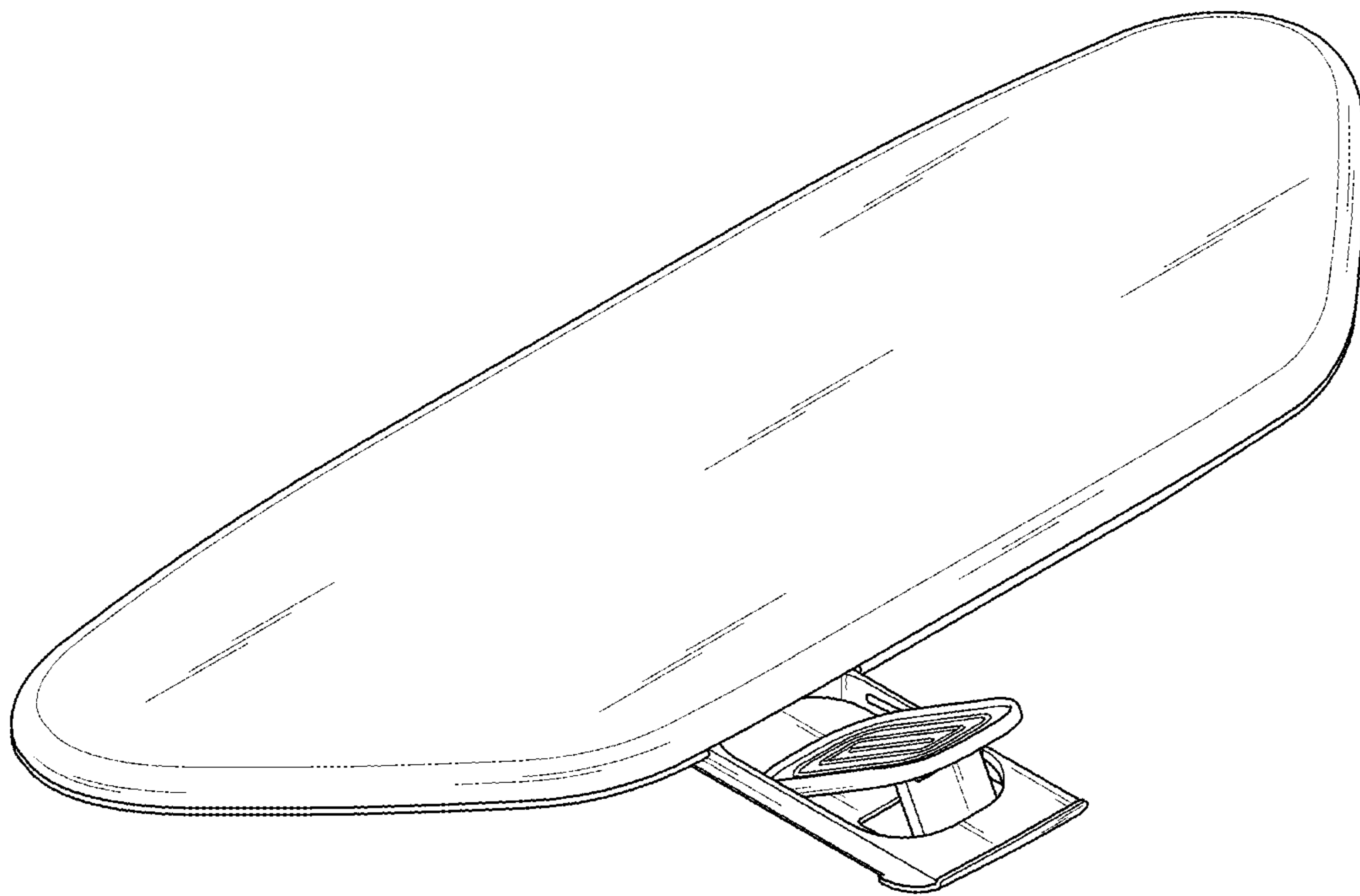


FIG. 2

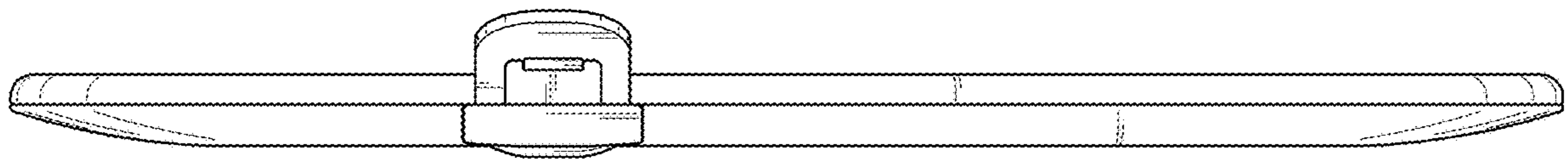


FIG. 3

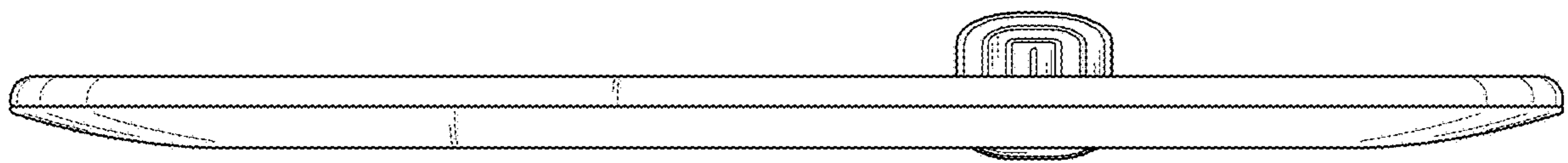


FIG. 4

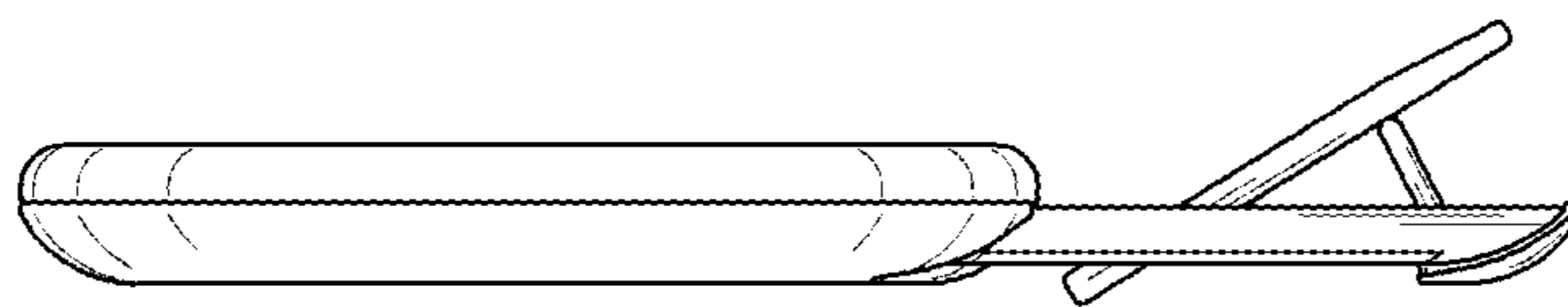


FIG. 5

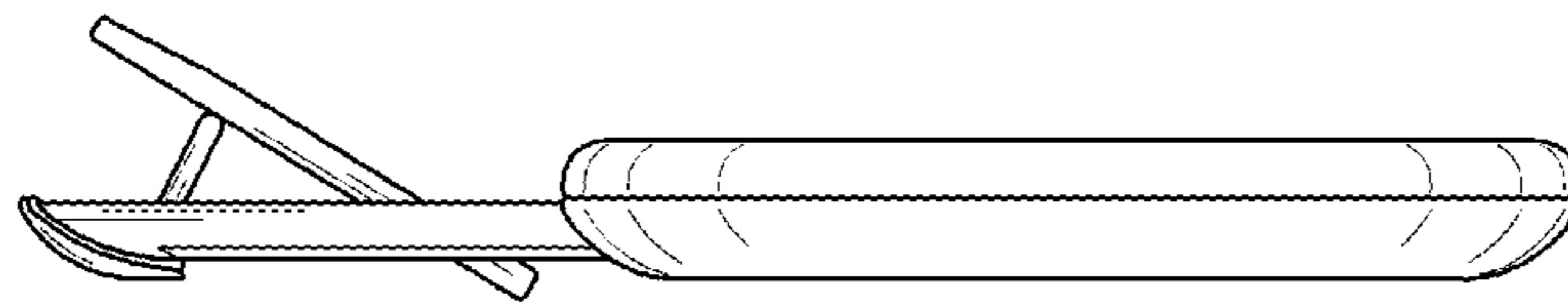


FIG. 6

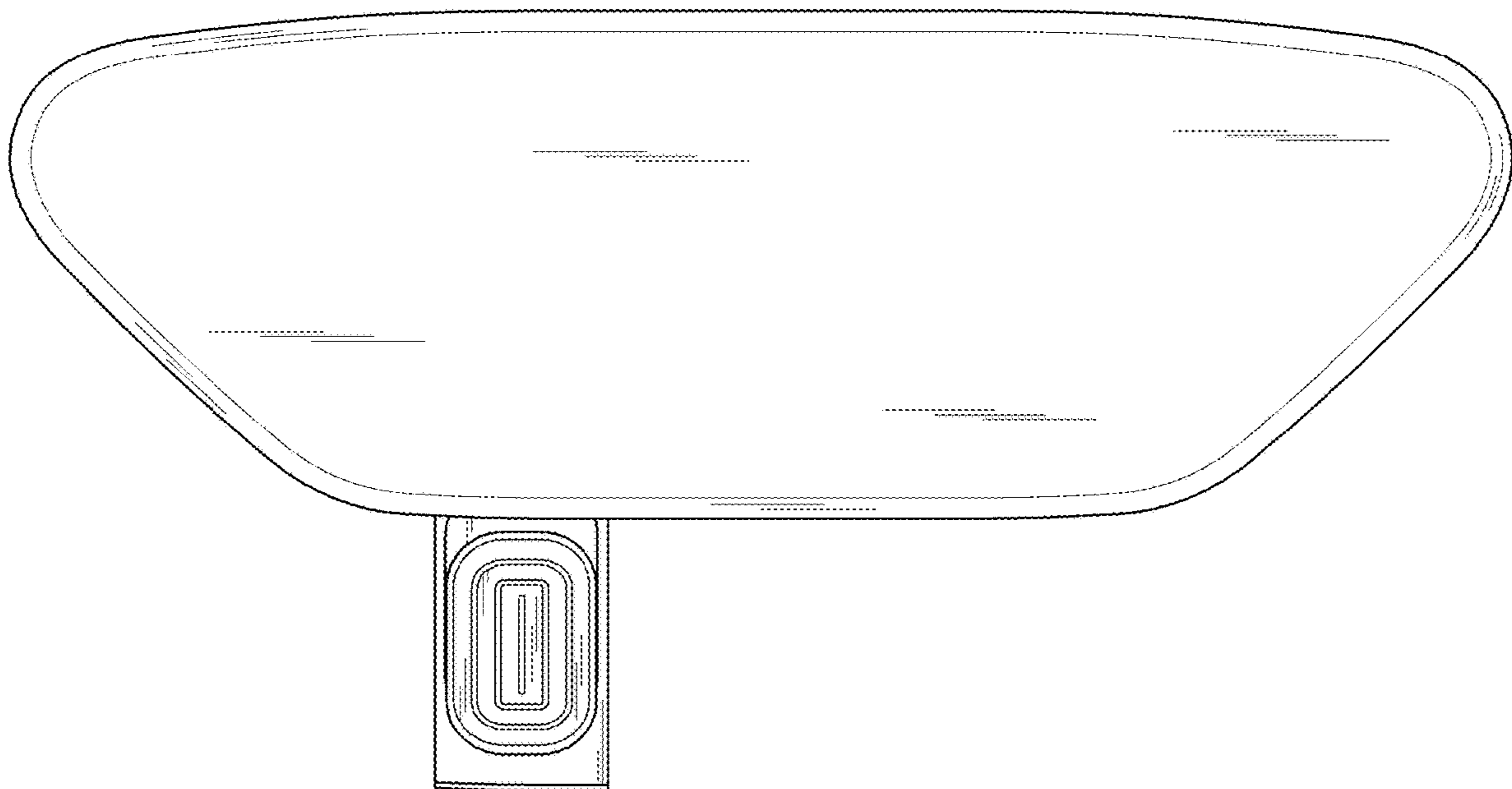


FIG. 7

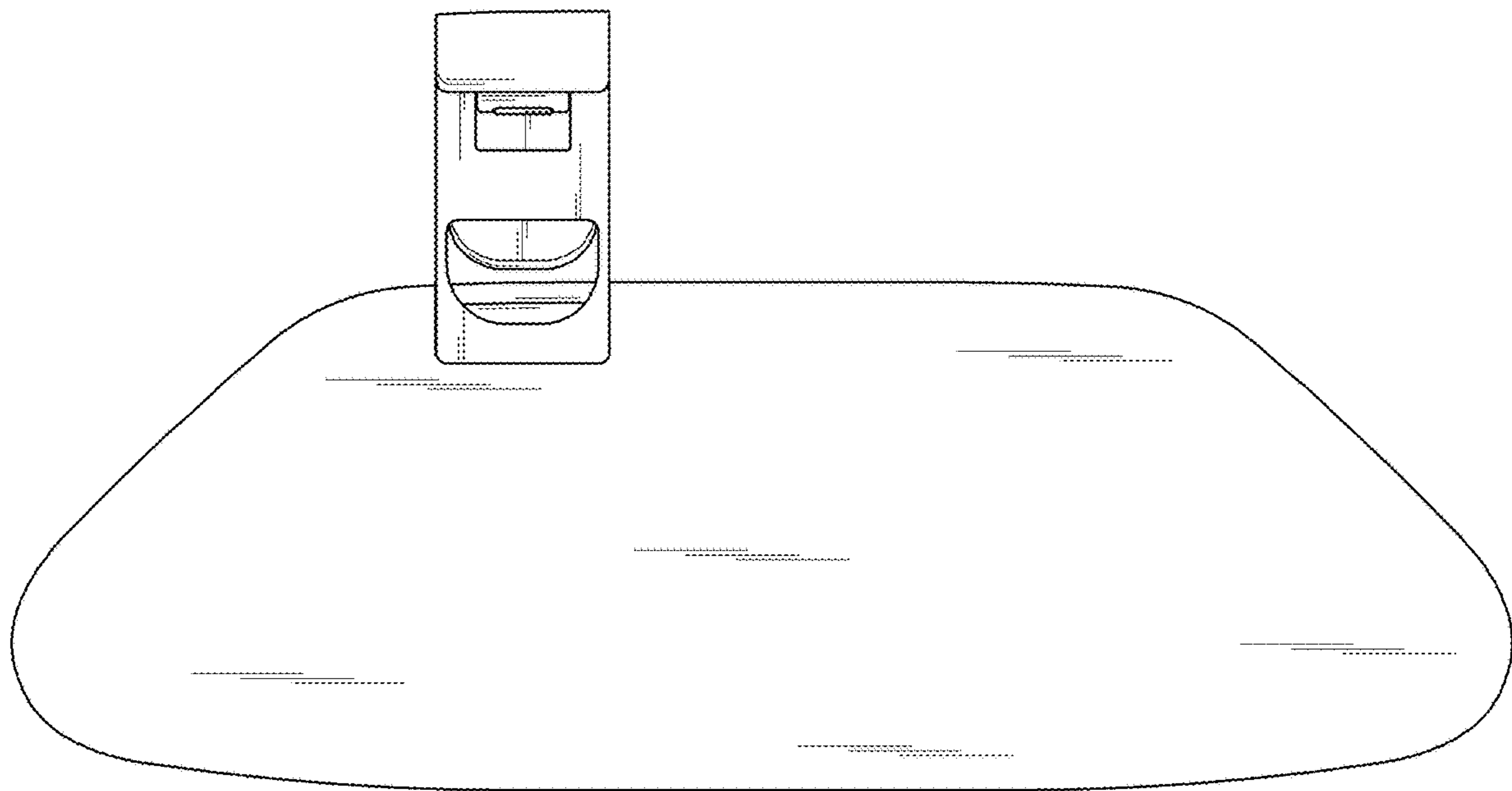


FIG. 8

