

US00D939166S

(12) **United States Design Patent** (10) **Patent No.:** **US D939,166 S**
Webb (45) **Date of Patent:** **** Dec. 21, 2021**

| | | | | |
|--|-------------------|--------|-----------------|-------------------------|
| (54) BUCKET GRATING SECTION | 5,727,708 A * | 3/1998 | Erickson | B44D 3/12 206/514 |
| (71) Applicant: Pilot, Inc. , City of Industry, CA (US) | 5,746,346 A * | 5/1998 | Crilly | B44D 3/121 220/23.83 |
| (72) Inventor: Scott Webb , Los Angeles, CA (US) | 6,199,718 B1 * | 3/2001 | Ellis | B44D 3/126 220/570 |
| (73) Assignee: Pilot, Inc. , City of Industry, CA (US) | D524,501 S * | 7/2006 | Prokop | D32/53.1 |
| (**) Term: 15 Years | D590,219 S * | 4/2009 | Jabs | D8/1 |
| (21) Appl. No.: 29/704,814 | D675,492 S * | 2/2013 | Art | D8/1 |
| | D792,045 S * | 7/2017 | Jaakkola | D32/53 |
| | D860,568 S * | 9/2019 | Webb | D32/53 |
| | 2018/0085687 A1 * | 3/2018 | Schneider | B01D 21/2483 |

(22) Filed: **Sep. 6, 2019**

Related U.S. Application Data

(62) Division of application No. 29/610,534, filed on Jul. 13, 2017, now Pat. No. Des. 860,568.

(51) **LOC (13) Cl.** **07-07**

(52) **U.S. Cl.**
USPC **D32/54**

(58) **Field of Classification Search**
USPC D3/315; D32/53, 53.1, 54
CPC A47L 13/58; A47J 47/18; B65D 25/28;
B65D 25/2802; B65D 21/02; B65D
21/023; B44D 3/126; B44D 3/128; A46B
17/00
See application file for complete search history.

(56) **References Cited**

U.S. PATENT DOCUMENTS

| | | | |
|---------------|---------|---------------|-------------------------|
| D198,438 S * | 6/1964 | Wolcott | D32/54 |
| 3,156,364 A * | 11/1964 | Wolcott | B44D 3/125 211/65 |
| 4,566,148 A * | 1/1986 | Rolin | B44D 3/128 15/257.05 |
| D301,422 S * | 6/1989 | Schmidt | D19/105 |

FOREIGN PATENT DOCUMENTS

KR 300878407.0000 * 10/2016

* cited by examiner

Primary Examiner — Leanne Was-Englehart

(74) *Attorney, Agent, or Firm* — Sheridan Ross P.C.

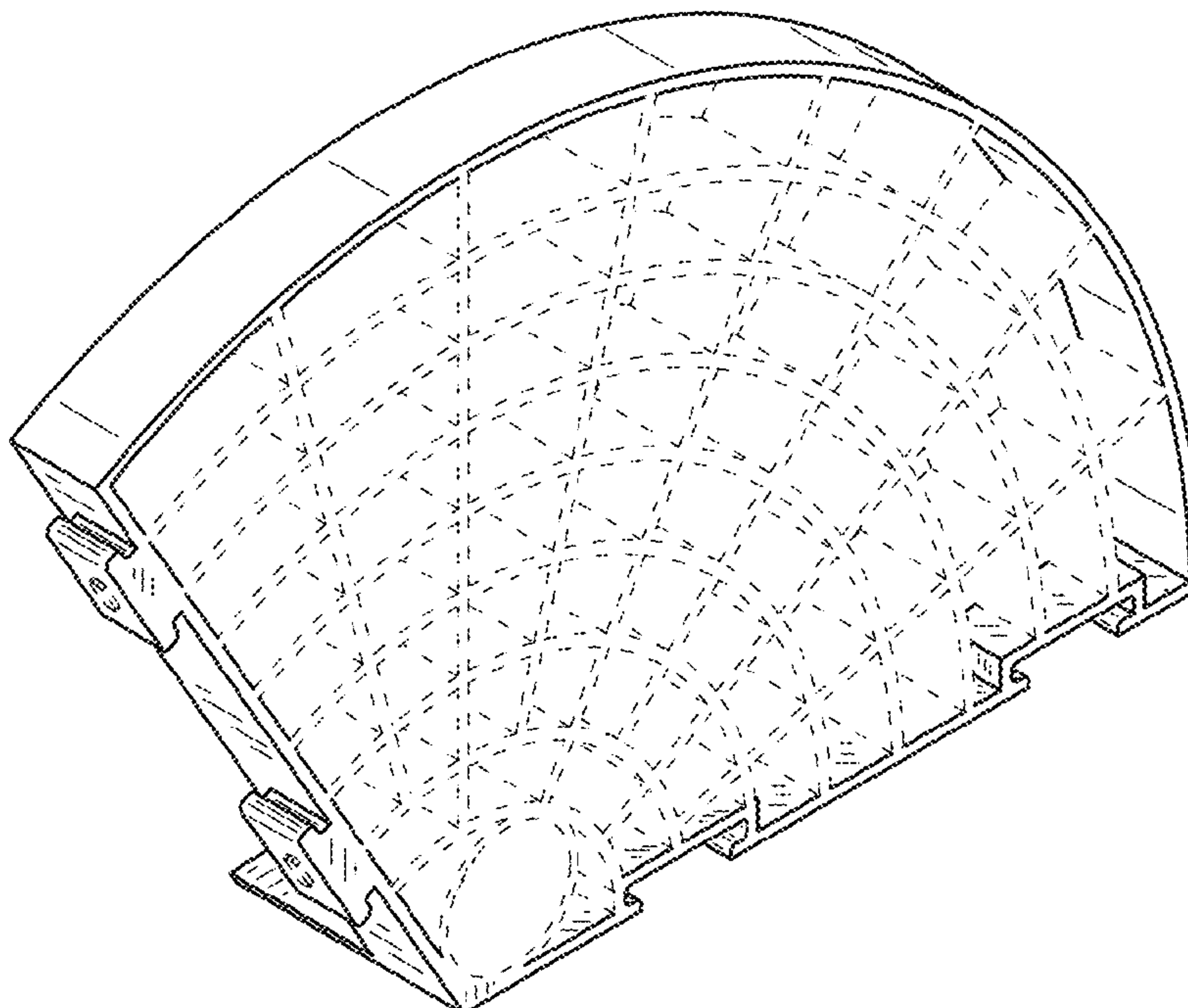
(57) **CLAIM**

The ornamental design for a bucket grating section, as shown and described.

DESCRIPTION

FIG. 1 is a perspective view of a bucket grating section showing my new design;
 FIG. 2 is a front elevational view thereof;
 FIG. 3 is a back elevational view thereof;
 FIG. 4 is a left side elevational view thereof;
 FIG. 5 is a right side elevational view thereof;
 FIG. 6 is a top plan view thereof; and,
 FIG. 7 is a bottom plan view thereof.
 The broken lines show portions of the bucket grating section which form no part of the claimed design.

1 Claim, 5 Drawing Sheets



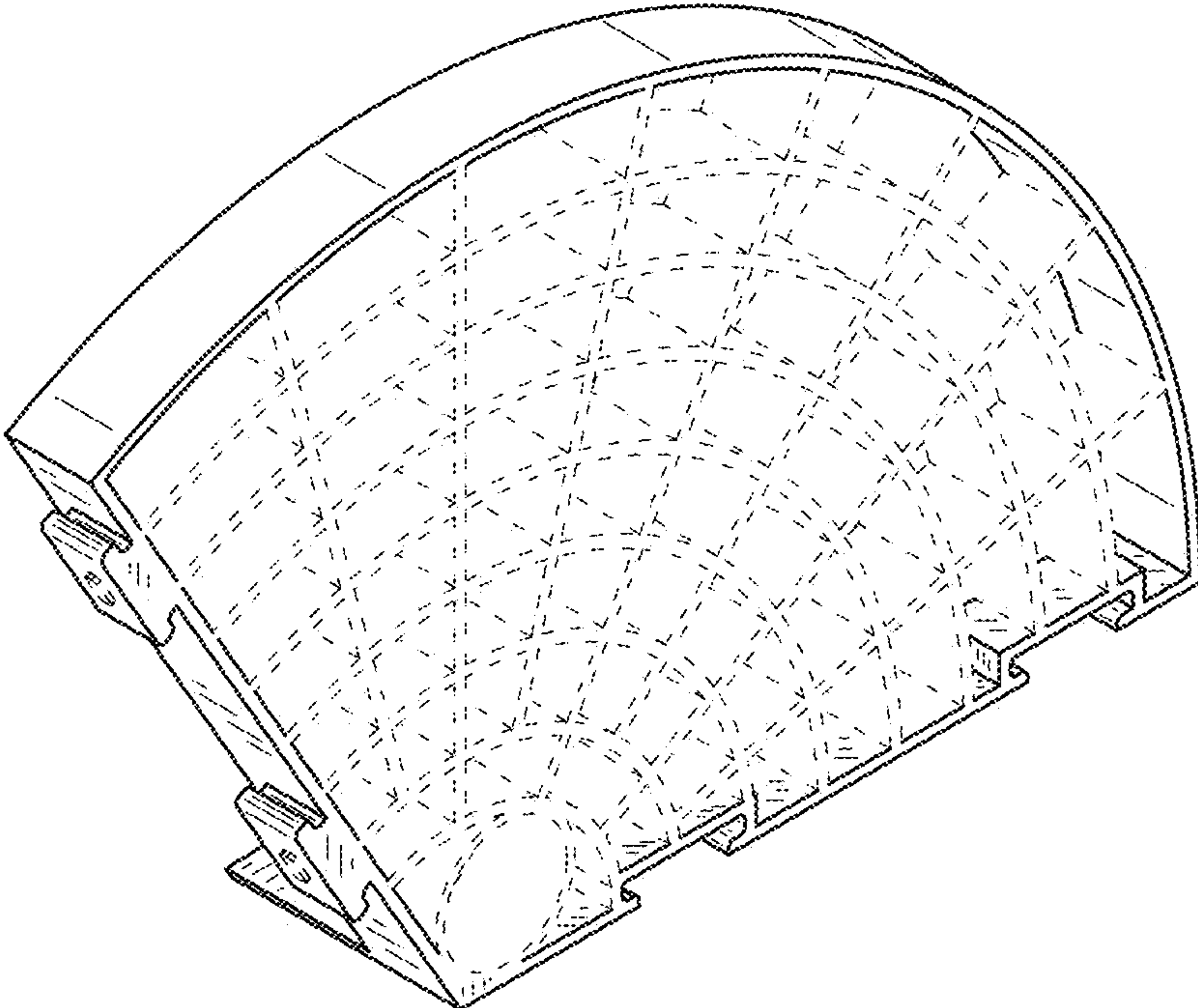


FIG.1

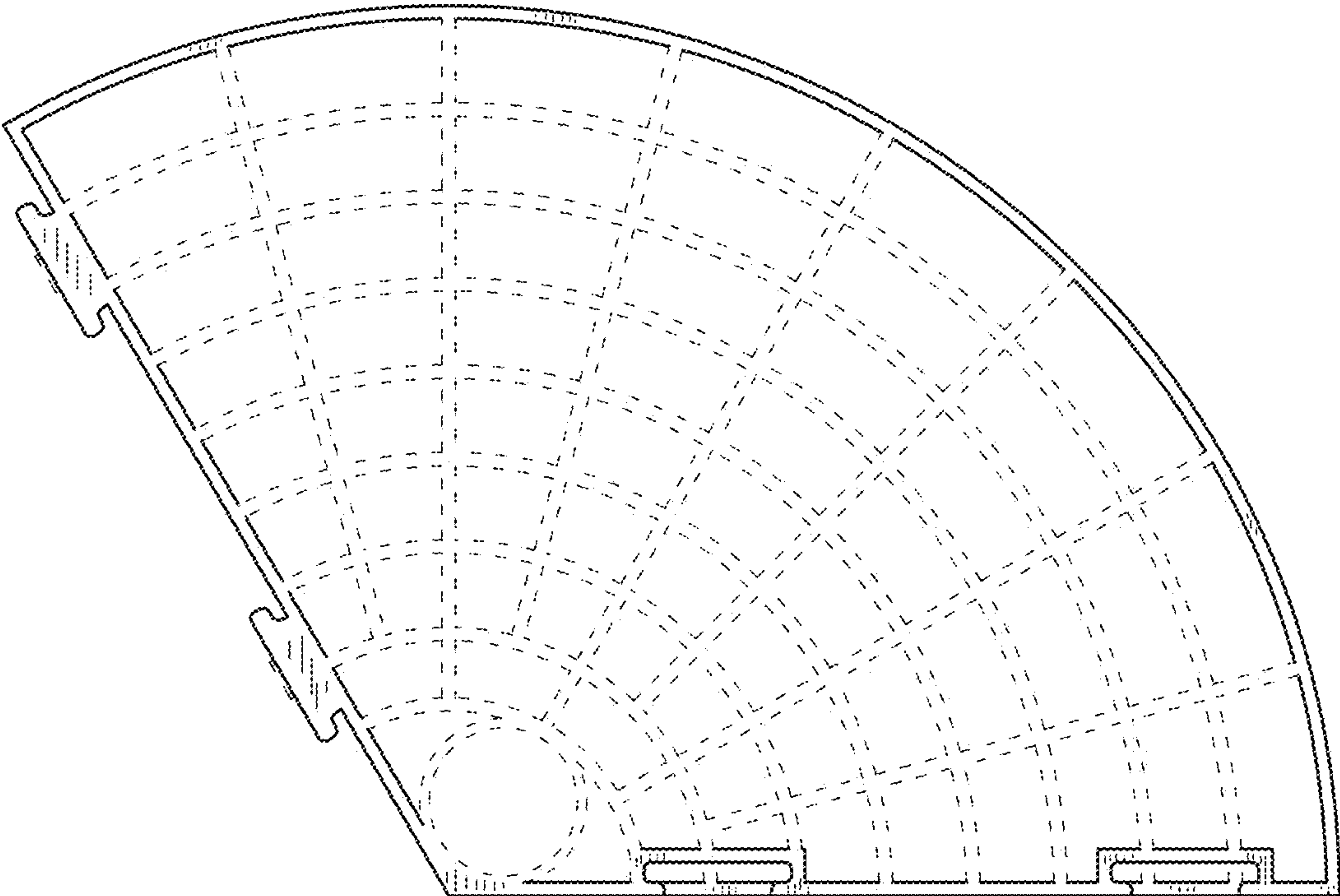


FIG.2

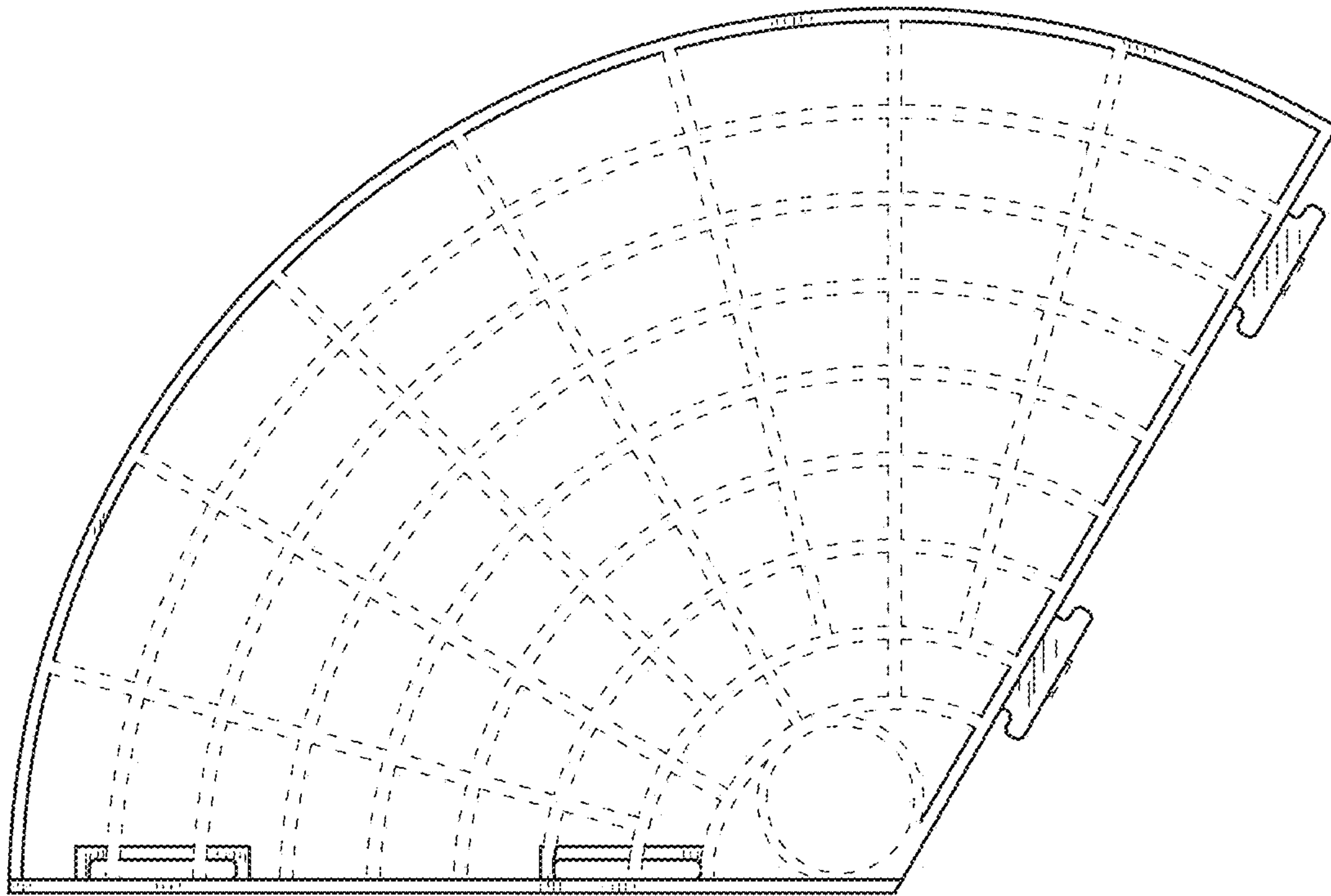


FIG.3

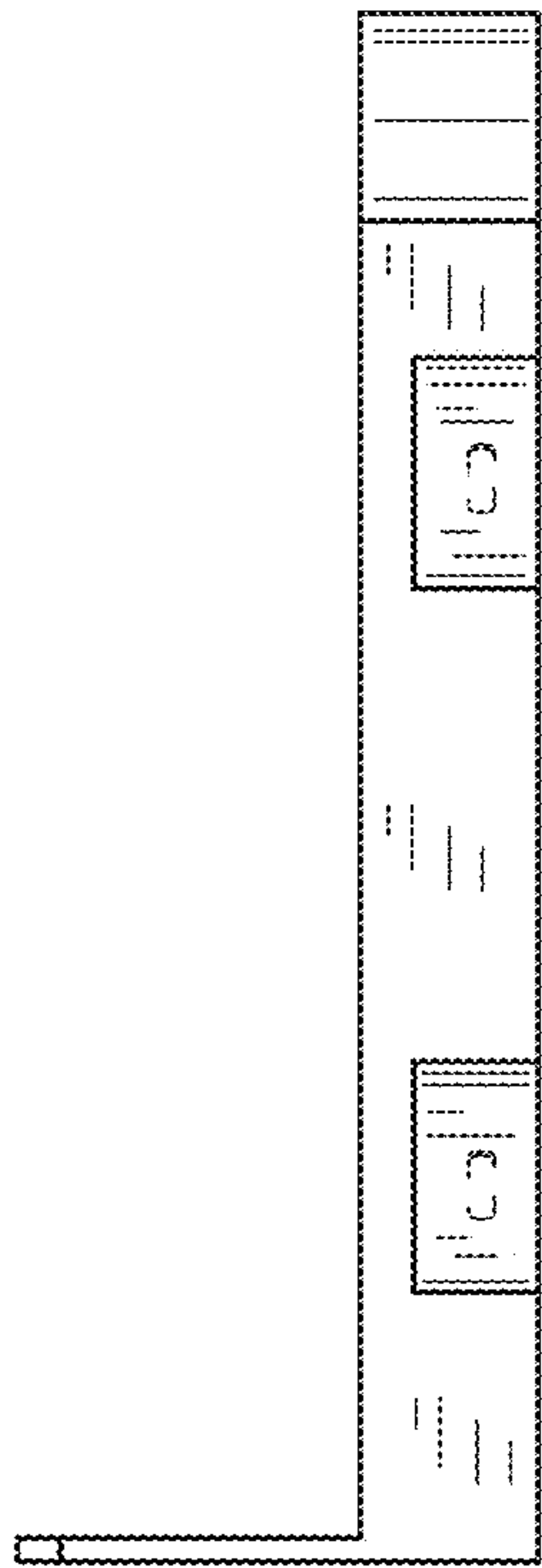


FIG.4

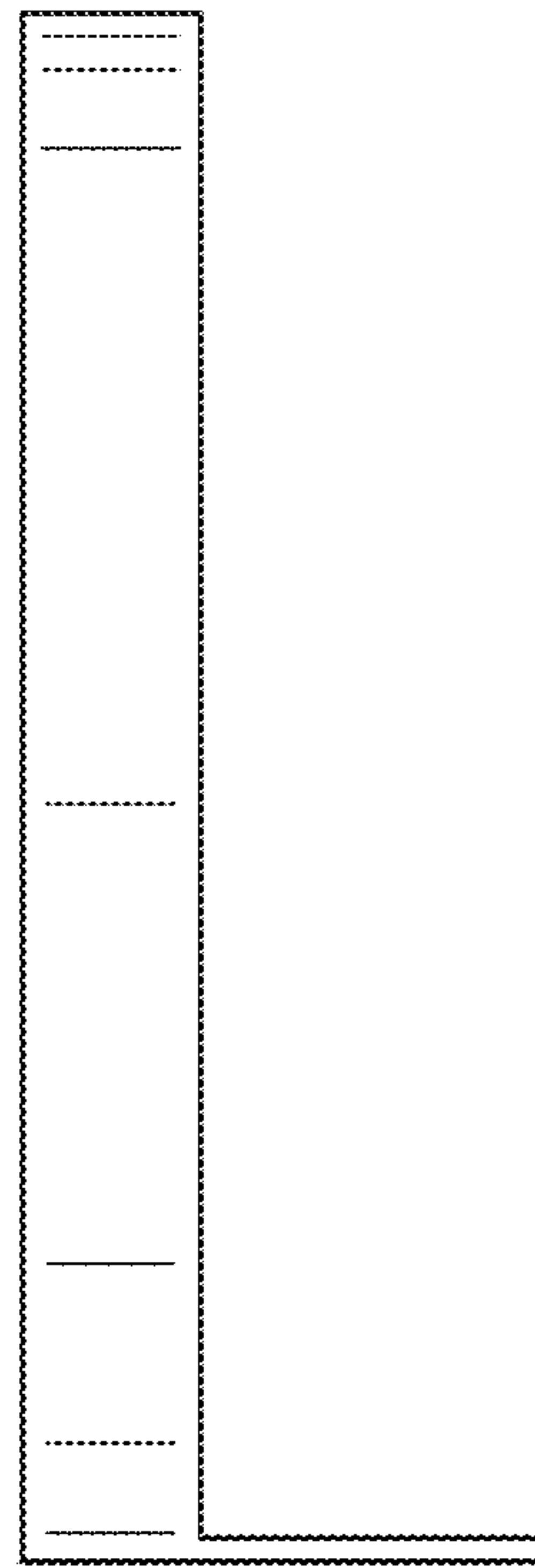


FIG.5

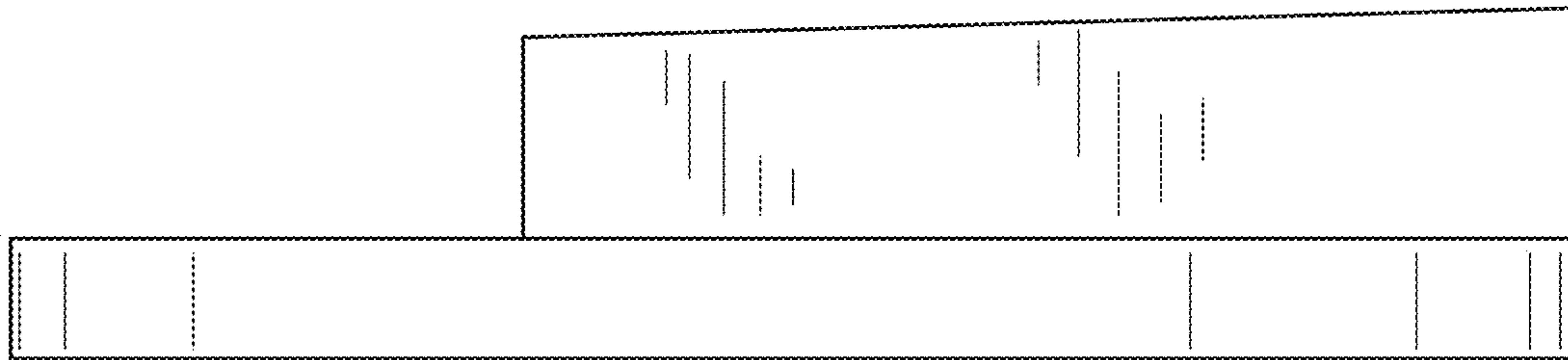


FIG. 6

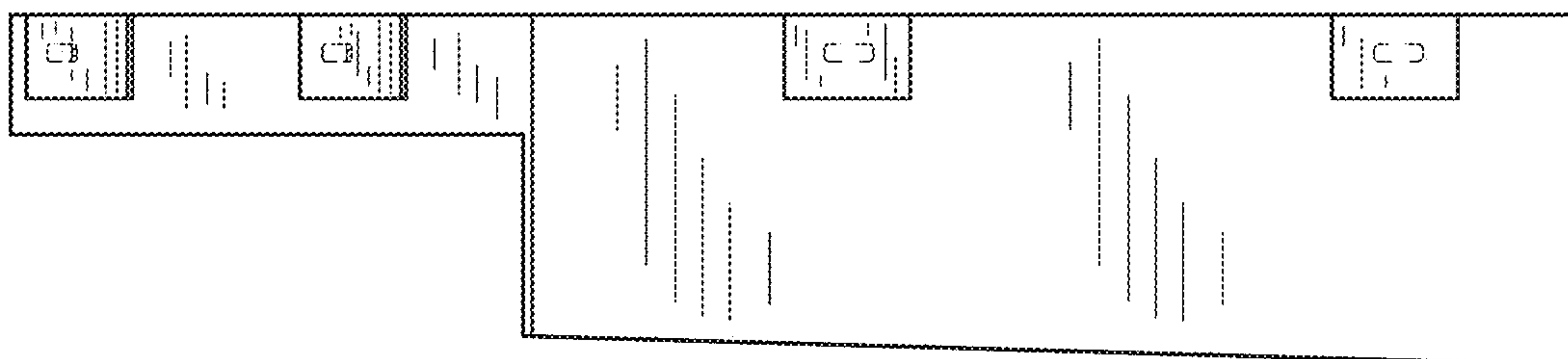


FIG. 7