



US00D939163S

(12) **United States Design Patent** (10) **Patent No.:** **US D939,163 S**  
**Knapp et al.** (45) **Date of Patent:** **\*\* Dec. 21, 2021**

- (54) **MULTI-SURFACE VACUUM CLEANER**
- (71) Applicant: **BISSELL Inc.**, Grand Rapids, MI (US)
- (72) Inventors: **Mackenzie L. Knapp**, Saranac, MI (US); **David M. Miller**, Zeeland, MI (US); **Colin J. Bloemendaal**, Grand Rapids, MI (US)
- (73) Assignee: **BISSELL Inc.**, Grand Rapids, MI (US)
- (\*\*) Term: **15 Years**
- (21) Appl. No.: **29/772,827**
- (22) Filed: **Mar. 4, 2021**

D544,661 S \* 6/2007 Santiago ..... D32/31  
 D575,916 S 8/2008 Stein et al.  
 D666,371 S \* 8/2012 Bilger ..... D32/31  
 (Continued)

**FOREIGN PATENT DOCUMENTS**

CN 305744639 4/2020  
 CN 305860620 \* 6/2020  
 (Continued)

**OTHER PUBLICATIONS**

BISELL HydroWave, available in Amazon.com, date 1st available Oct. 28, 2019[online],[site visited Apr. 20, 2021], Available from internet URL: [https://www.amazon.co.uk/BISSELL-HydroWave-Powerful-Retractable-2571E/dp/B07ZPJTBF/ref=sr\\_1\\_4?dchild=1&keywords=BISSELL+Aeroswift+Compact+Vacuum&qid=1619134371&sr=8-4](https://www.amazon.co.uk/BISSELL-HydroWave-Powerful-Retractable-2571E/dp/B07ZPJTBF/ref=sr_1_4?dchild=1&keywords=BISSELL+Aeroswift+Compact+Vacuum&qid=1619134371&sr=8-4) (Year: 2019).\*

(Continued)

*Primary Examiner* — Dana K Weiland  
*Assistant Examiner* — Jennylou M Binas  
 (74) *Attorney, Agent, or Firm* — Warner Norcross + Judd LLP

**Related U.S. Application Data**

- (62) Division of application No. 29/684,314, filed on Mar. 20, 2019, now Pat. No. Des. 917,810.
- (51) **LOC (13) Cl.** ..... **15-05**
- (52) **U.S. Cl.**  
USPC ..... **D32/22; D32/31**
- (58) **Field of Classification Search**  
USPC ..... D32/15, 21, 22, 24, 31, 33, 45; D21/526  
CPC ..... A47L 5/24; A47L 5/28; A47L 5/30; A47L 5/34; A47L 7/0004; A47L 9/04; A47L 9/325; A47L 9/1683; A47L 11/302; A47L 11/34; A47L 11/4005; A47L 11/4008; A47L 11/4016; A47L 11/4041; A47L 11/4044; A47L 11/4088; A47L 13/225; E04H 4/1636; A46B 9/06; B04C 5/185; B08B 3/04; B23Q 11/0046; B23Q 11/0071  
See application file for complete search history.

(57) **CLAIM**

The ornamental design for a multi-surface vacuum cleaner, as shown and described.

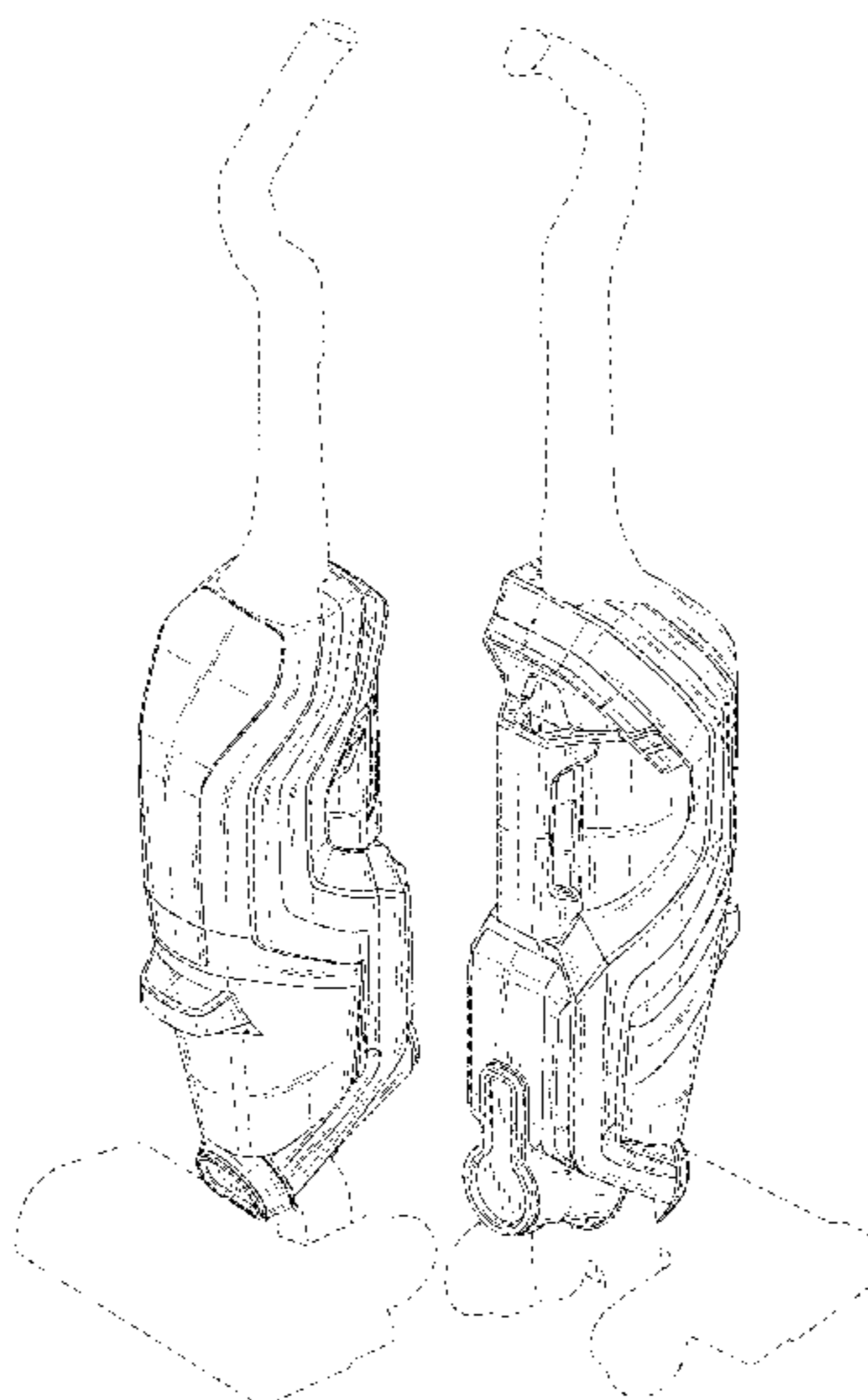
**DESCRIPTION**

FIG. 1 is a front perspective view of a multi-surface vacuum cleaner showing our new design;  
 FIG. 2 is a rear perspective view thereof;  
 FIG. 3 is a front view thereof;  
 FIG. 4 is a rear view thereof;  
 FIG. 5 is a left side view thereof, the right side being a mirror image; and,  
 FIG. 6 is an enlarged top view thereof.  
 The details of the multi-surface vacuum cleaner shown in broken lines form no part of the claimed design.

**1 Claim, 6 Drawing Sheets**

(56) **References Cited**  
 U.S. PATENT DOCUMENTS

D188,309 S \* 7/1960 Gantz ..... D32/22  
 D509,934 S \* 9/2005 Santiago ..... D32/22  
 D533,976 S \* 12/2006 Luebbering ..... D32/31



(56)

References Cited

U.S. PATENT DOCUMENTS

D685,558 S \* 7/2013 deBlois ..... D32/45  
 D686,378 S \* 7/2013 Luedke ..... D32/31  
 D690,062 S \* 9/2013 Luedke ..... D32/17  
 D722,410 S 2/2015 Raven et al.  
 D728,878 S 5/2015 Johnson et al.  
 D730,604 S 5/2015 Luedke et al.  
 D759,919 S 6/2016 Smith et al.  
 D778,015 S 1/2017 Miller et al.  
 D790,142 S 6/2017 Carr et al.  
 D791,421 S 7/2017 Wu et al.  
 D821,047 S 6/2018 Wroblewski et al.  
 10,092,155 B2 10/2018 Xia  
 D866,108 S \* 11/2019 Palladino ..... D32/45  
 10,512,383 B2 12/2019 Luyckx et al.  
 D882,893 S \* 4/2020 Hooley ..... D32/31  
 10,631,702 B2 4/2020 Xia et al.  
 10,820,769 B2 11/2020 Xia et al.  
 D910,945 S \* 2/2021 Miller ..... D32/31  
 D917,810 S \* 4/2021 Knapp ..... D32/22  
 D926,405 S \* 7/2021 Haverkamp ..... D32/31  
 11,071,428 B2 \* 7/2021 Resch ..... A47L 11/4041  
 11,089,933 B2 \* 8/2021 Xia ..... A46B 9/06  
 2014/0259510 A1 9/2014 Conrad  
 2016/0135656 A1 5/2016 Grove  
 2016/0150938 A1 6/2016 Grove  
 2017/0119225 A1 5/2017 Xia et al.  
 2018/0110388 A1 4/2018 Xia et al.  
 2019/0082925 A1 3/2019 Conrad et al.  
 2019/0159646 A1 5/2019 Luyckx et al.  
 2019/0365182 A1 12/2019 Manning et al.  
 2020/0214527 A1 7/2020 Resch et al.  
 2020/0268225 A1 8/2020 Ashbaugh et al.  
 2020/0405116 A1 12/2020 Resch et al.  
 2020/0405117 A1 12/2020 Resch et al.  
 2020/0405118 A1 12/2020 Resch et al.

2021/0186291 A1\* 6/2021 Nguyen ..... A47L 9/30  
 2021/0228046 A1\* 7/2021 Nguyen ..... A47L 11/302  
 2021/0244253 A1\* 8/2021 Miller ..... A47L 11/00

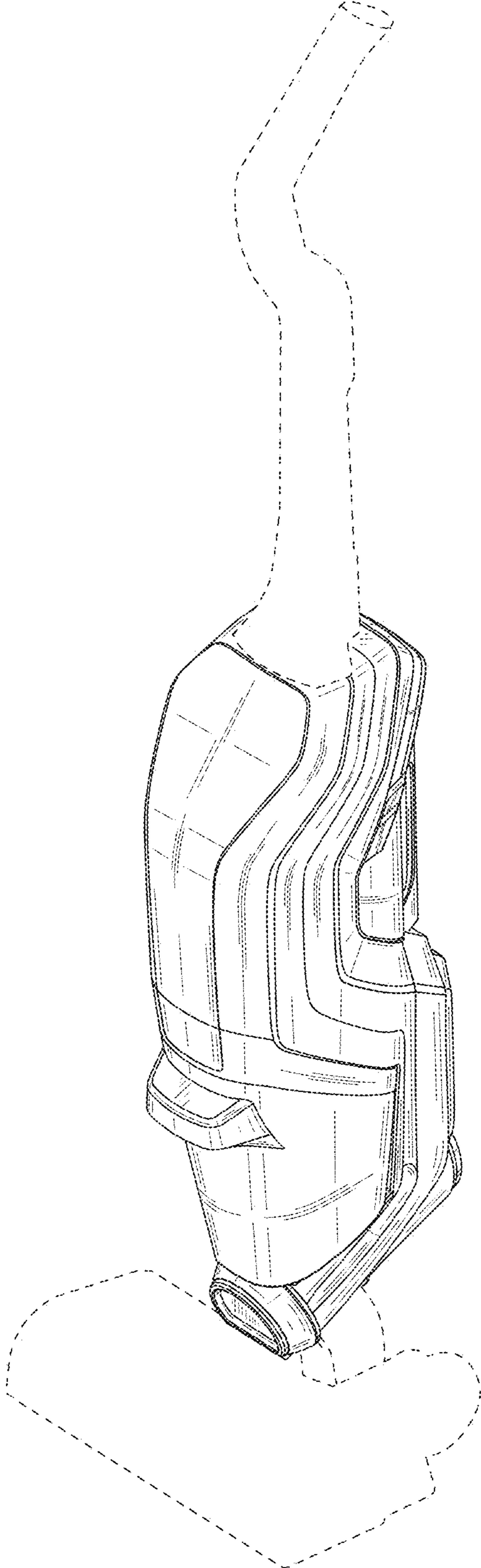
FOREIGN PATENT DOCUMENTS

EM 6694774-0004 8/2019  
 JP D1656921 3/2020  
 JP D1656923 3/2020  
 JP D1656958 \* 4/2020

OTHER PUBLICATIONS

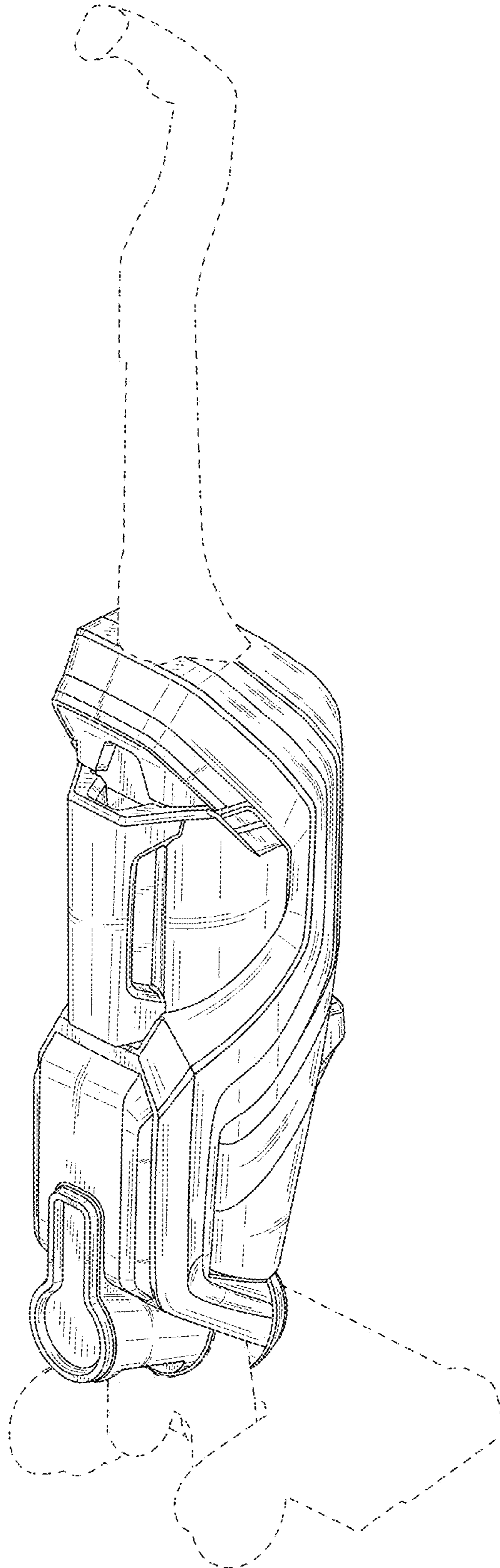
AlfaBot T30 Cordless Vacuum Cleaner, available in Amazon.com, date first available Oct. 27, 2020 [online], [site visited Jul. 26, 2021], Available from the internet URL: [https://www.amazon.com/AlfaBot-Cordless-Hardwood-Techonology-Assistance/dp/B08LYVG5V1/ref=psdc\\_553022\\_t3\\_B079WCPPQD](https://www.amazon.com/AlfaBot-Cordless-Hardwood-Techonology-Assistance/dp/B08LYVG5V1/ref=psdc_553022_t3_B079WCPPQD) (Year: 2020).  
 BISSELL Crosswave User Guide 1785, 2210, 2211 Series, 2018.  
 BISSELL Crosswave Pet Pro User Guide 2305, 2306 Series, 2017.  
 Oreck One PWR, observed on display and photos taken on Feb. 13, 2019 at the Oreck booth at the 2019 VDTA-SDTA International Trade Show and Convention in Las Vegas, NV, held Feb. 12-14, 2019.  
 "How to Perform Maintenance on your CrossWave Cordless MAX", announced in YouTube on date [online], [site visited Nov. 16, 2020], Available from the internet URL: <https://www.youtube.com/watch?v=hfjGK1VYMPU> (Year: 2019).  
 BISSELL JetScrub Pet Upright Carpet Cleaner, available in Amazon.com, customer review oldest date Aug. 21, 2019 [online], [site visited Nov. 16, 2020], Available from the Internet URL: [https://www.amazon.com/dp/B07TCJNCF4/ref=cm\\_sw\\_r\\_em\\_apa\\_i\\_dIC\\_YTmMFbVBRK6GG?\\_encoding=UTF8&psc=1](https://www.amazon.com/dp/B07TCJNCF4/ref=cm_sw_r_em_apa_i_dIC_YTmMFbVBRK6GG?_encoding=UTF8&psc=1) (Year: 2019).

\* cited by examiner

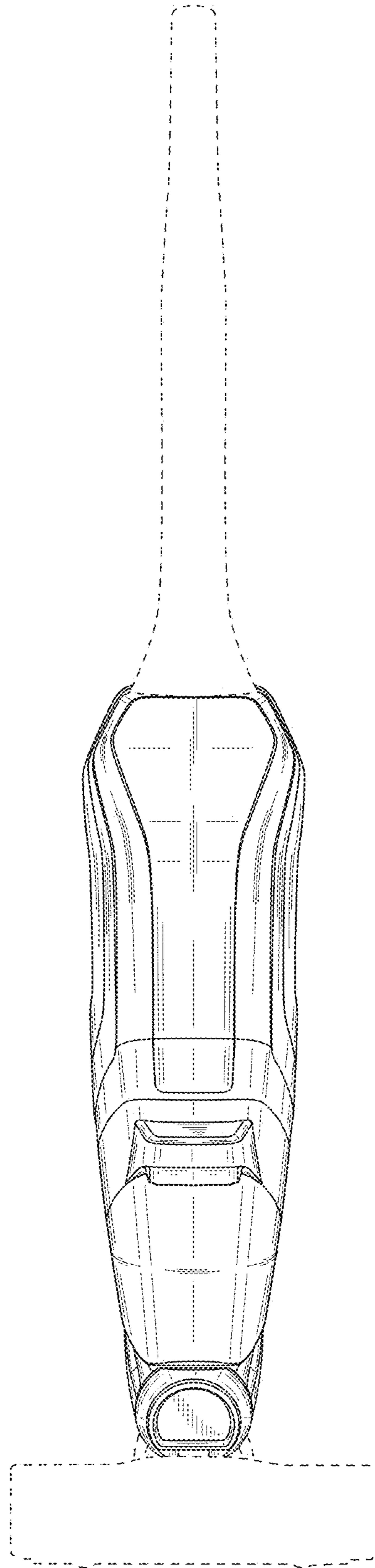


**FIG. 1**

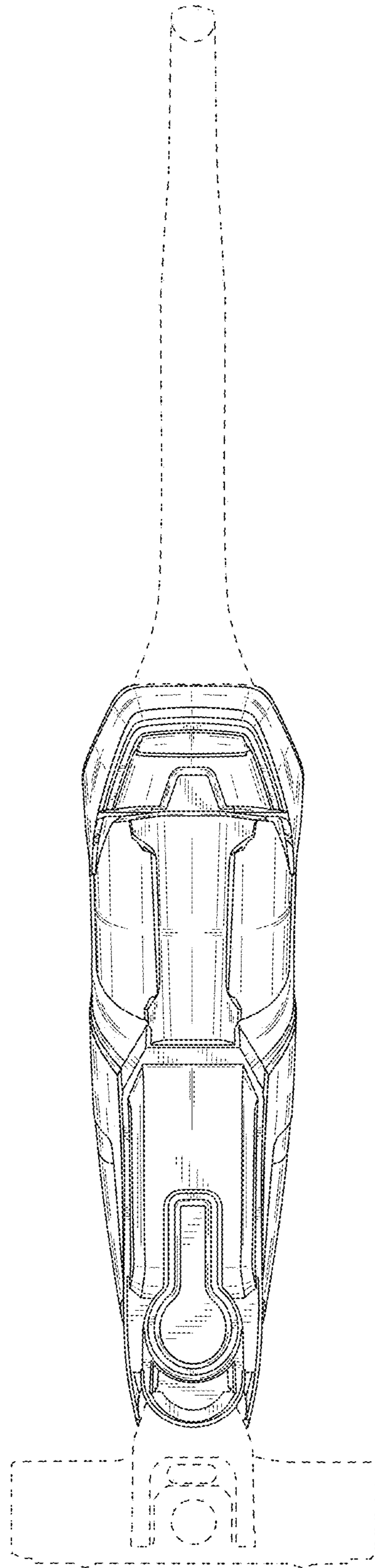




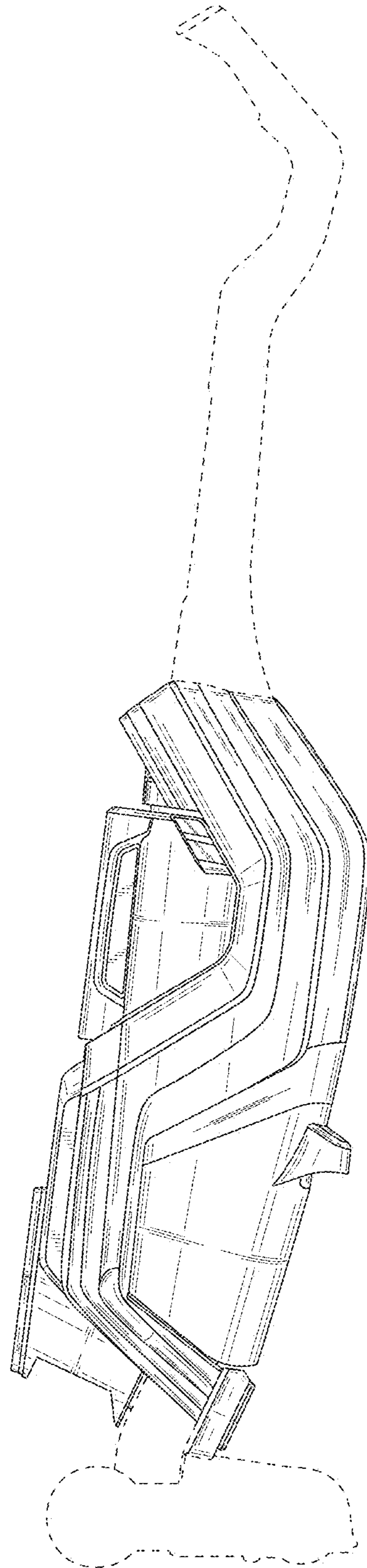
**FIG. 2**



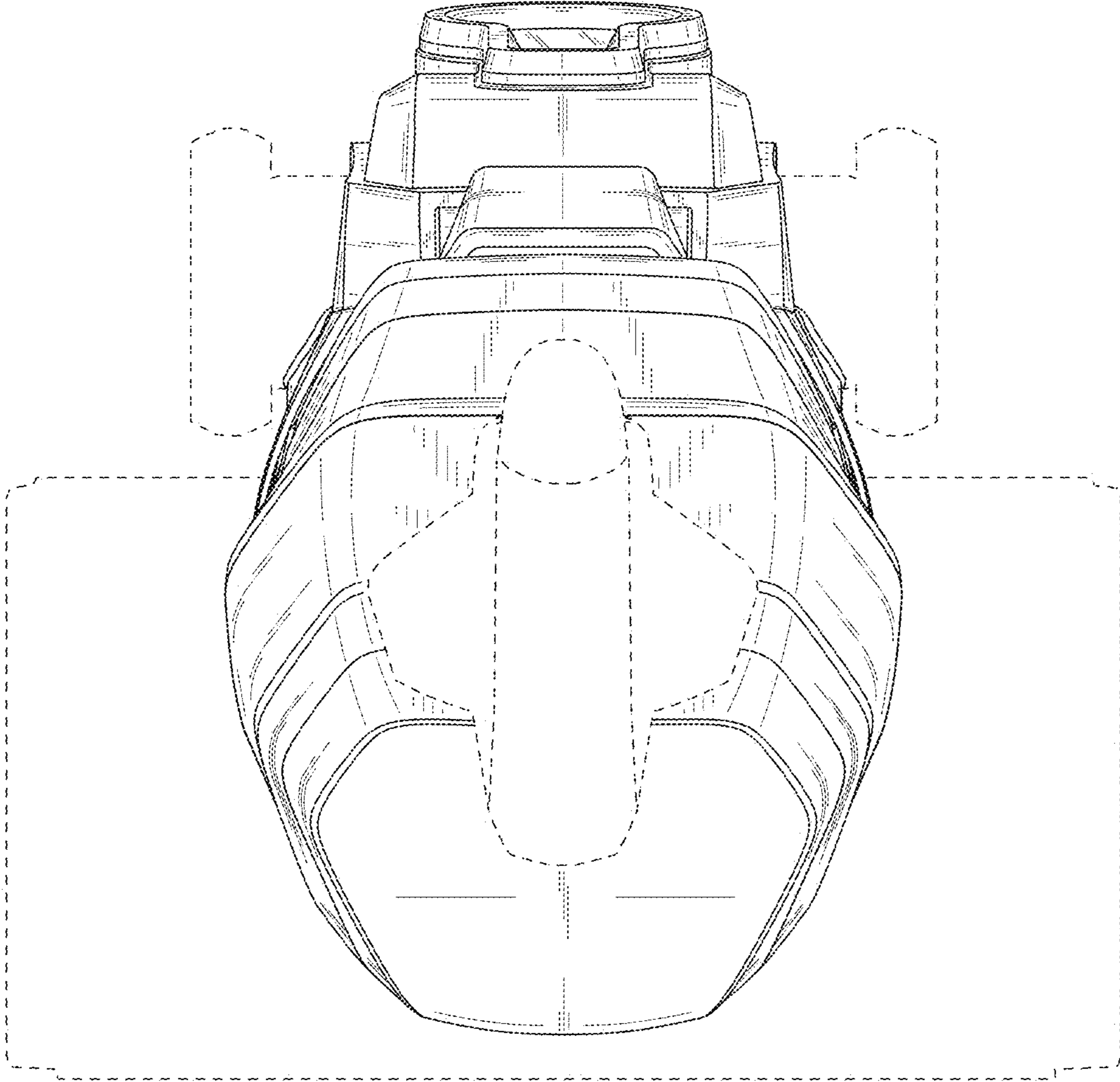
**FIG. 3**



**FIG. 4**



**FIG. 5**



**FIG. 6**