

US00D939162S

(12) **United States Design Patent** (10) **Patent No.:** **US D939,162 S**
Lai (45) **Date of Patent:** **** Dec. 21, 2021**

(54) **FABRIC STEAMER APPARATUS**

FOREIGN PATENT DOCUMENTS

(71) Applicant: **Conair Corporation**, Stamford, CT (US)

KR 20-0369458 Y1 12/2004

(72) Inventor: **Kin Man Lai**, Wu Kai Sha (HK)

OTHER PUBLICATIONS

(73) Assignee: **Conair LLC**, Stamford, CT (US)

Portable Garent Steamer https://www.alibaba.com/product-detail/HJ-3000-Portable-Garment-Steamer-Handheld_60552204515.html
(Year: 2020).*

(**) Term: **15 Years**

(Continued)

(21) Appl. No.: **29/732,002**

(22) Filed: **Apr. 20, 2020**

Primary Examiner — Michelle E. Wilson

(51) **LOC (13) Cl.** **15-05**

Assistant Examiner — Richard E Yenchesky

(52) **U.S. Cl.**

(74) *Attorney, Agent, or Firm* — Ohlandt, Greeley,

USPC **D32/17**

Ruggiero & Perle, L.L.P.

(58) **Field of Classification Search**

USPC D4/114; D32/17, 18, 35

CPC D06F 75/14; D06F 73/00; D06F 75/10;

D06F 75/30; D06F 87/00; D06F 75/20;

D06F 75/12; A01N 47/34; A61L 2/07;

B08B 9/00; F22B 27/16; A47L 11/34;

D06M 11/34

(57)

CLAIM

See application file for complete search history.

The ornamental design for a fabric steamer apparatus, as shown and described.

(56) **References Cited**

DESCRIPTION

U.S. PATENT DOCUMENTS

D106,361 S * 10/1937 Von Schrader D32/17

D222,502 S * 10/1971 Madl D32/17

3,620,055 A * 11/1971 Blachly D06F 75/30

68/222

3,646,317 A * 2/1972 Osrow D06F 75/30

392/337

3,675,449 A 7/1972 Bluestein

D229,016 S * 11/1973 Plasko D32/17

D229,664 S * 12/1973 Stutzer D32/17

D255,864 S * 7/1980 Bennett D32/17

D262,257 S * 12/1981 Sohn D32/17

4,399,349 A * 8/1983 Deming A45D 19/16

128/203.17

4,496,826 A * 1/1985 Osrow D06F 75/14

219/245

4,536,977 A * 8/1985 Doyel D06F 75/14

219/254

FIG. 1 is a front perspective view of a fabric steamer apparatus, according to the present invention;

FIG. 2 is a front elevational view of the fabric steamer apparatus of FIG. 1;

FIG. 3 is a rear elevational view of the fabric steamer apparatus of FIG. 1;

FIG. 4 is a right side elevational view of the fabric steamer apparatus of FIG. 1;

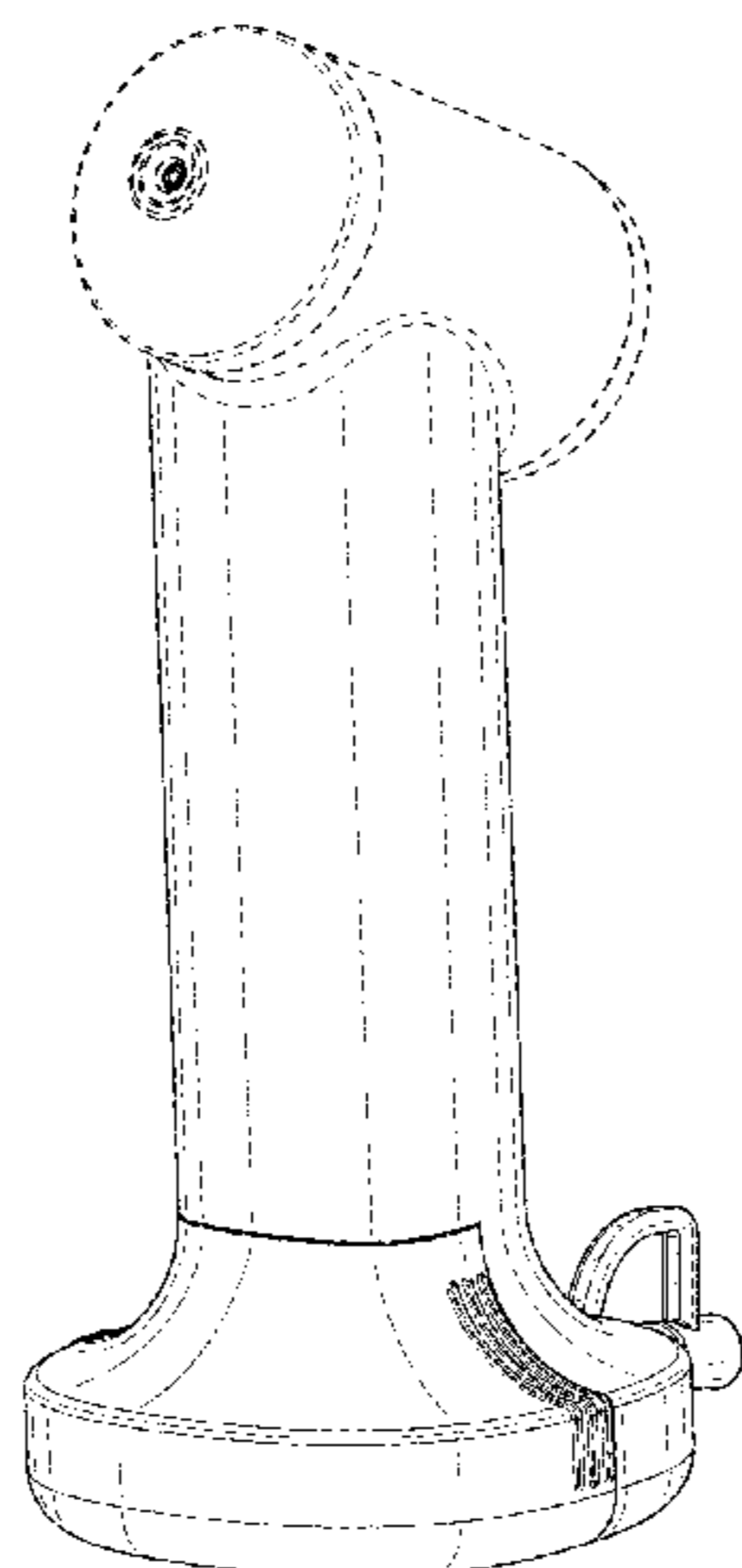
FIG. 5 is a left side elevational view of the fabric steamer apparatus of FIG. 1;

FIG. 6 is a top plan view of the fabric steamer apparatus of FIG. 1; and,

FIG. 7 is a bottom plan view of the fabric steamer apparatus of FIG. 1.

(Continued)

1 Claim, 6 Drawing Sheets



(56)

References Cited

U.S. PATENT DOCUMENTS

4,571,483 A * 2/1986 Fathi D06F 87/00
38/69
4,583,260 A * 4/1986 Zai A01N 47/34
15/320
D319,121 S * 8/1991 Muller D32/17
5,235,759 A 8/1993 Rizzuto, Jr.
5,420,961 A 5/1995 Walker
5,651,201 A * 7/1997 Farley D06F 75/30
219/255
D426,924 S * 6/2000 Joiner D32/35
D436,424 S * 1/2001 Buzzi D32/17
6,275,653 B1 * 8/2001 Montipo' B08B 9/00
392/405
6,986,217 B2 * 1/2006 Leung D06F 73/00
38/77.83
D516,759 S * 3/2006 Lam D32/17
D525,399 S * 7/2006 Alday Lesaga D32/17
7,155,117 B2 12/2006 Leung et al.
D540,498 S * 4/2007 Tobias D32/17
D542,488 S * 5/2007 Lee D32/17
D576,363 S * 9/2008 Reiner D32/17
7,490,422 B1 * 2/2009 Chen D06F 75/10
38/75
D589,663 S * 3/2009 Massip D32/17
D592,365 S * 5/2009 Massip D32/17
D601,806 S * 10/2009 Choi D4/114
7,661,212 B2 * 2/2010 Hahn D06F 75/20
38/81
D622,457 S * 8/2010 Choi D32/17
D646,029 S * 9/2011 Choi D32/17
D646,445 S * 10/2011 Choi D32/17
D648,494 S * 11/2011 Vrdoljak D32/17
D648,495 S * 11/2011 Ediger D32/17
D648,908 S * 11/2011 Ediger D32/17
D651,774 S * 1/2012 Tobias D32/17
8,156,667 B2 4/2012 Liu
D670,876 S * 11/2012 Vrdoljak D32/17
8,800,163 B2 8/2014 Schmid
8,893,410 B2 * 11/2014 Vrdoljak D06F 75/30
38/77.8
D725,326 S * 3/2015 Spencer D32/17
D731,723 S * 6/2015 Dammkoehler D32/17
D776,887 S * 1/2017 Deffrennes D32/17
9,845,568 B2 * 12/2017 Fung D06F 75/10
D808,600 S * 1/2018 Malatray D32/17

D826,492 S * 8/2018 Huang D32/17
D842,559 S * 3/2019 Yang D32/17
D857,313 S * 8/2019 Smith D32/17
10,570,560 B2 * 2/2020 Chua D06F 87/00
D894,506 S * 8/2020 Protet D32/17
D906,606 S * 12/2020 Zeng D32/17
2001/0030183 A1 10/2001 Bowen
2004/0010950 A1 * 1/2004 Leung D06F 73/00
38/3
2006/0018638 A1 * 1/2006 Leung B08B 3/00
392/403
2010/0024492 A1 * 2/2010 Leung D06F 73/00
68/222
2010/0269287 A1 * 10/2010 Vrdoljak A61L 2/07
15/322
2015/0354128 A1 * 12/2015 Choo A47L 11/34
68/222
2016/0053430 A1 * 2/2016 Chua D06F 75/30
68/5 A
2016/0160434 A1 * 6/2016 Chua D06F 87/00
68/5 A
2016/0194816 A1 * 7/2016 Chua D06F 75/20
68/222
2016/0289889 A1 10/2016 Lee
2017/0260685 A1 9/2017 Fung
2017/0275809 A1 9/2017 Javit
2018/0142883 A1 * 5/2018 Wadhwa F22B 27/16
2018/0371684 A1 * 12/2018 Ong D06F 75/12
2019/0234006 A1 8/2019 Yan et al.
2020/0362505 A1 * 11/2020 Razouki D06M 11/34

OTHER PUBLICATIONS

Hand-held Garment Steamer <https://www.amazon.com/Reliable-Dash-150GHB-Garment-Steamer/dp/B07Z6MF3QQ> (Year: 2020).*
International Search Report dated Apr. 1, 2021 from corresponding International Patent Application No. PCT/US2021/013383, 4 pages.
Written Opinion dated Apr. 1, 2021 from corresponding International Patent Application No. PCT/US2021/013383, 12 pages.
“Conair Extreme Steam Hand Held Fabric Steamer Dual Heat, White/Blue” (Conair), Jan. 26, 2018 [online] retrieved from <URL: https://www.amazon.com/Conair_extreme-Steam-Fabric-Steamer/dp/B006CR9KGA?th=1>, 13 pages.
Non-Final Office Action dated Aug. 2, 2021 from corresponding U.S. Appl. No. 16/853,532, 6 pages.

* cited by examiner

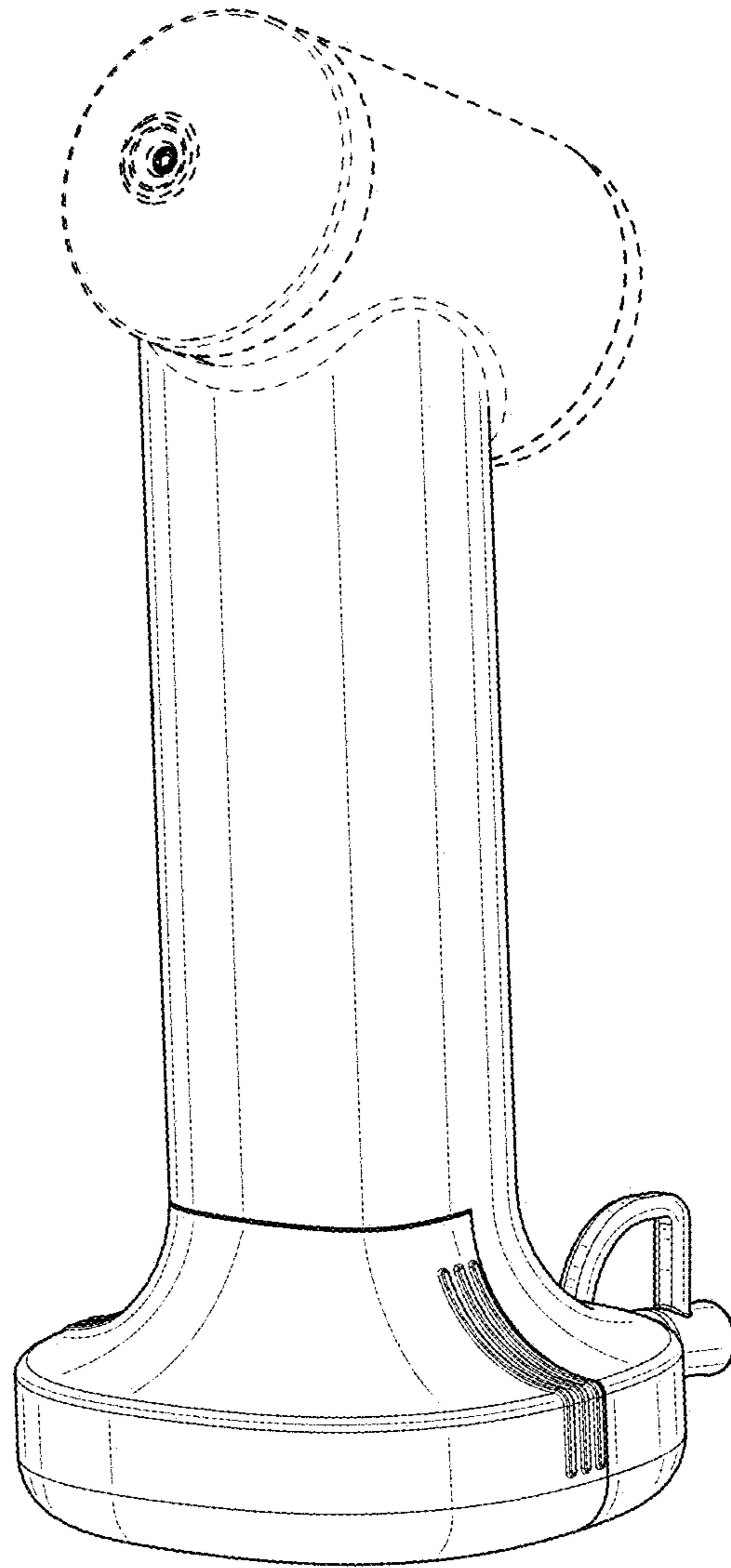


FIG. 1

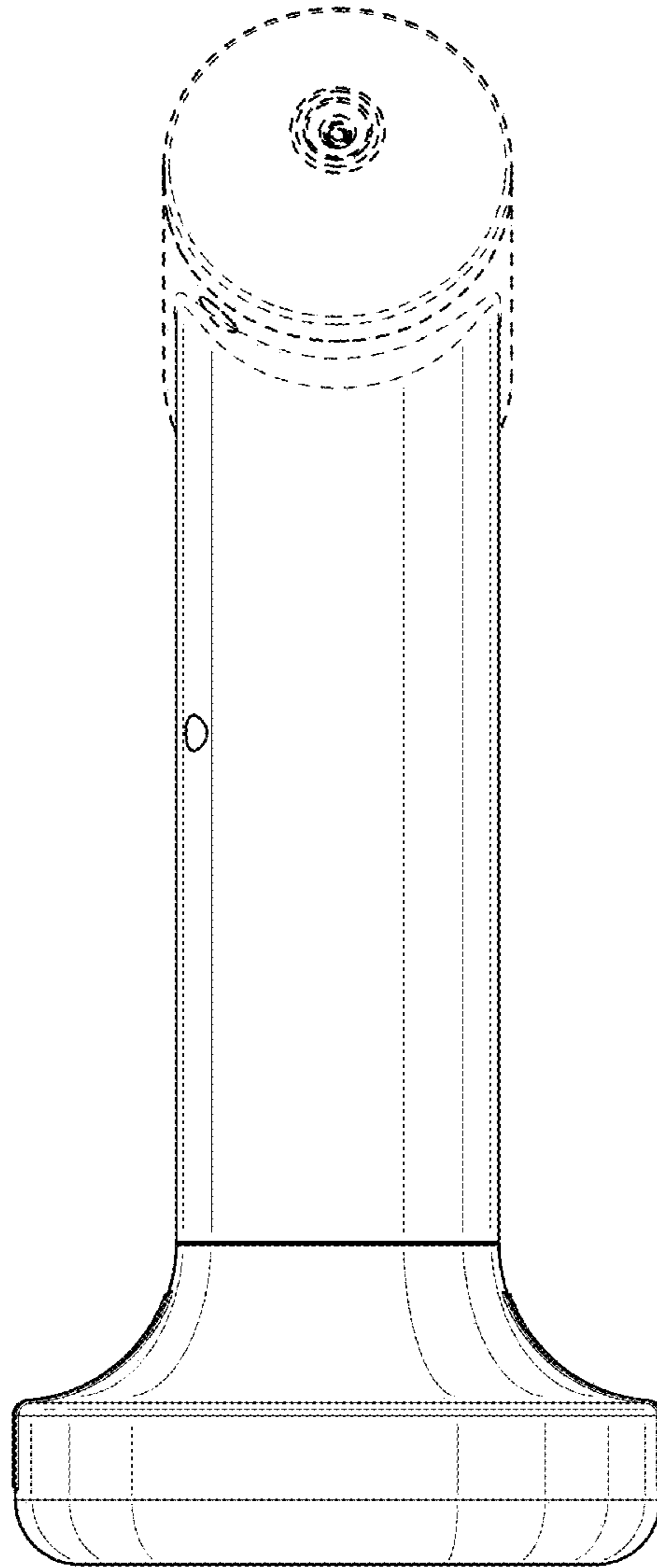


FIG. 2

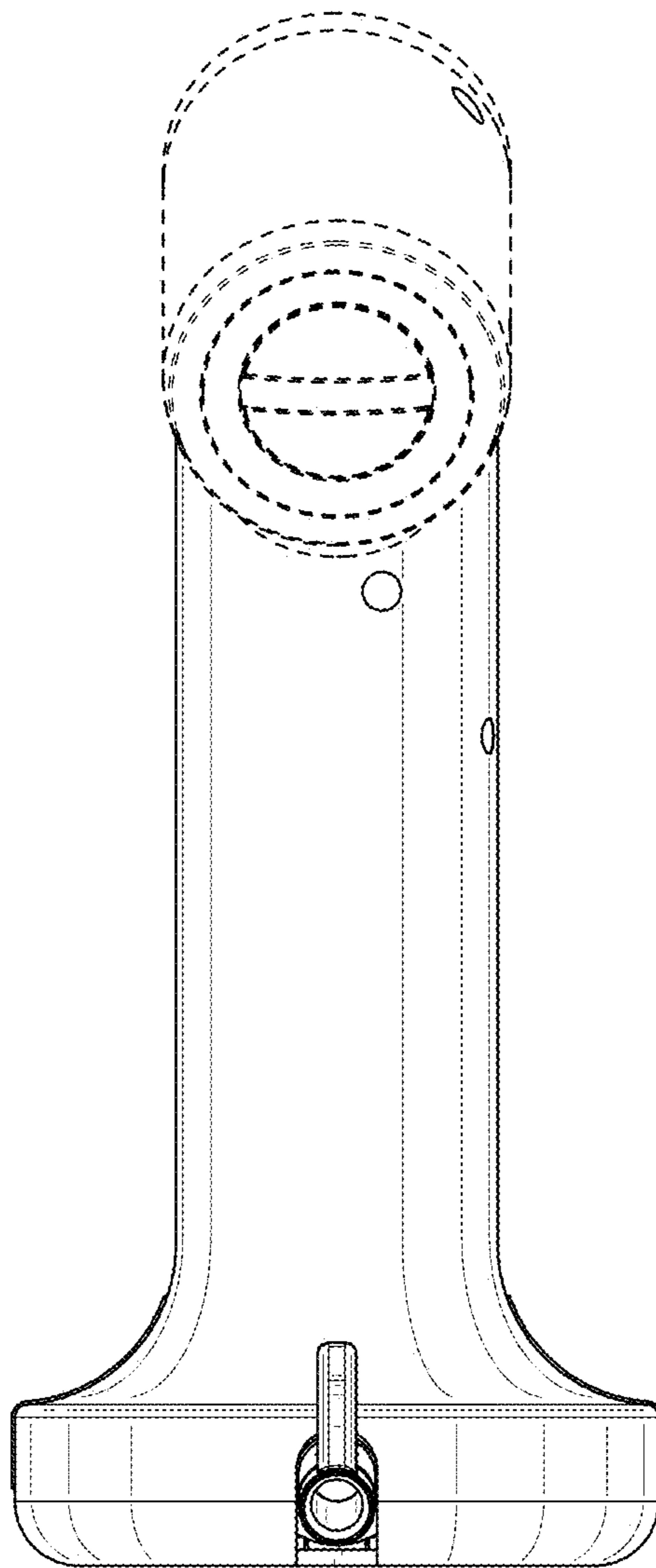


FIG. 3

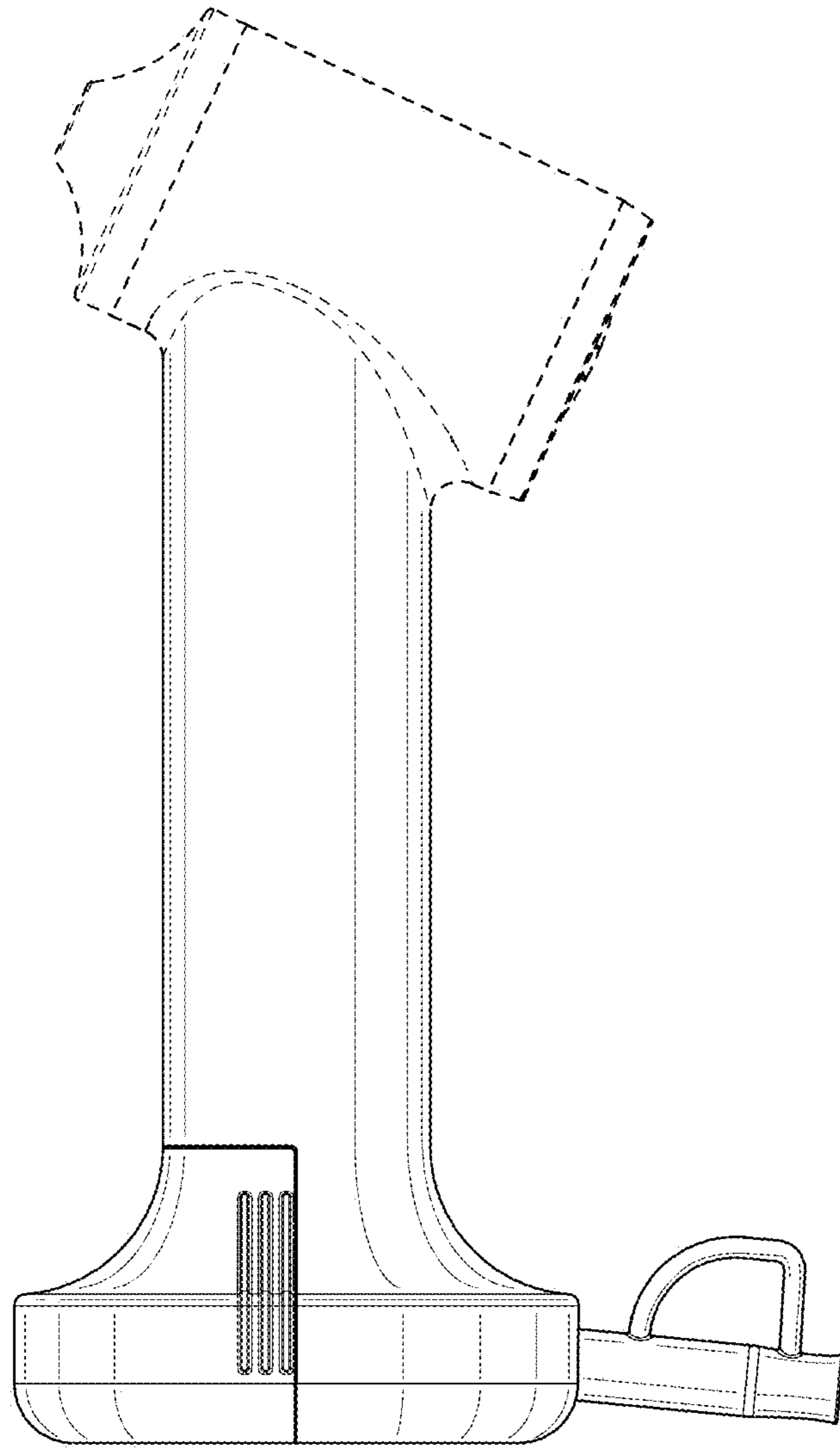


FIG. 4

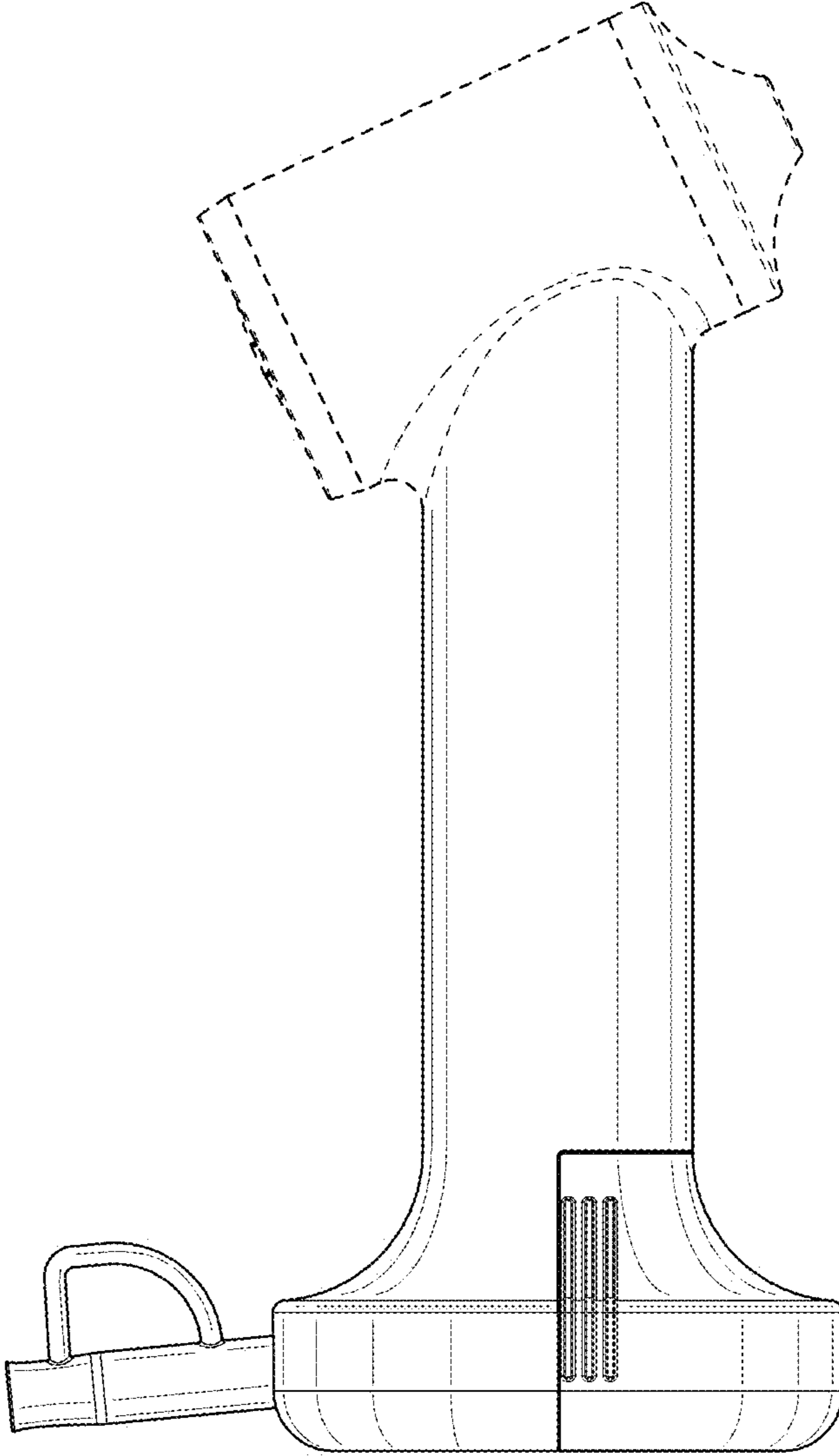


FIG. 5

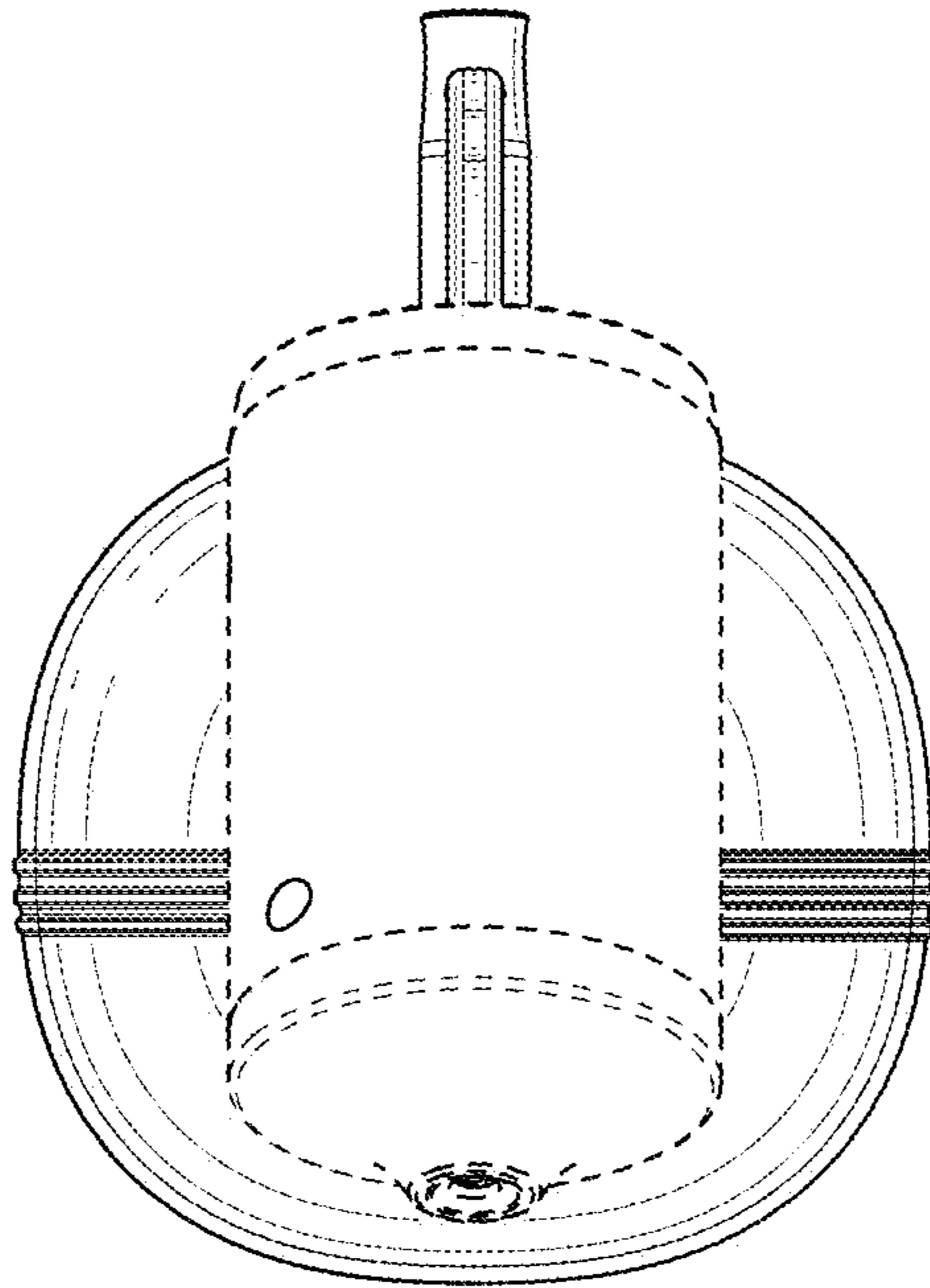


FIG. 6

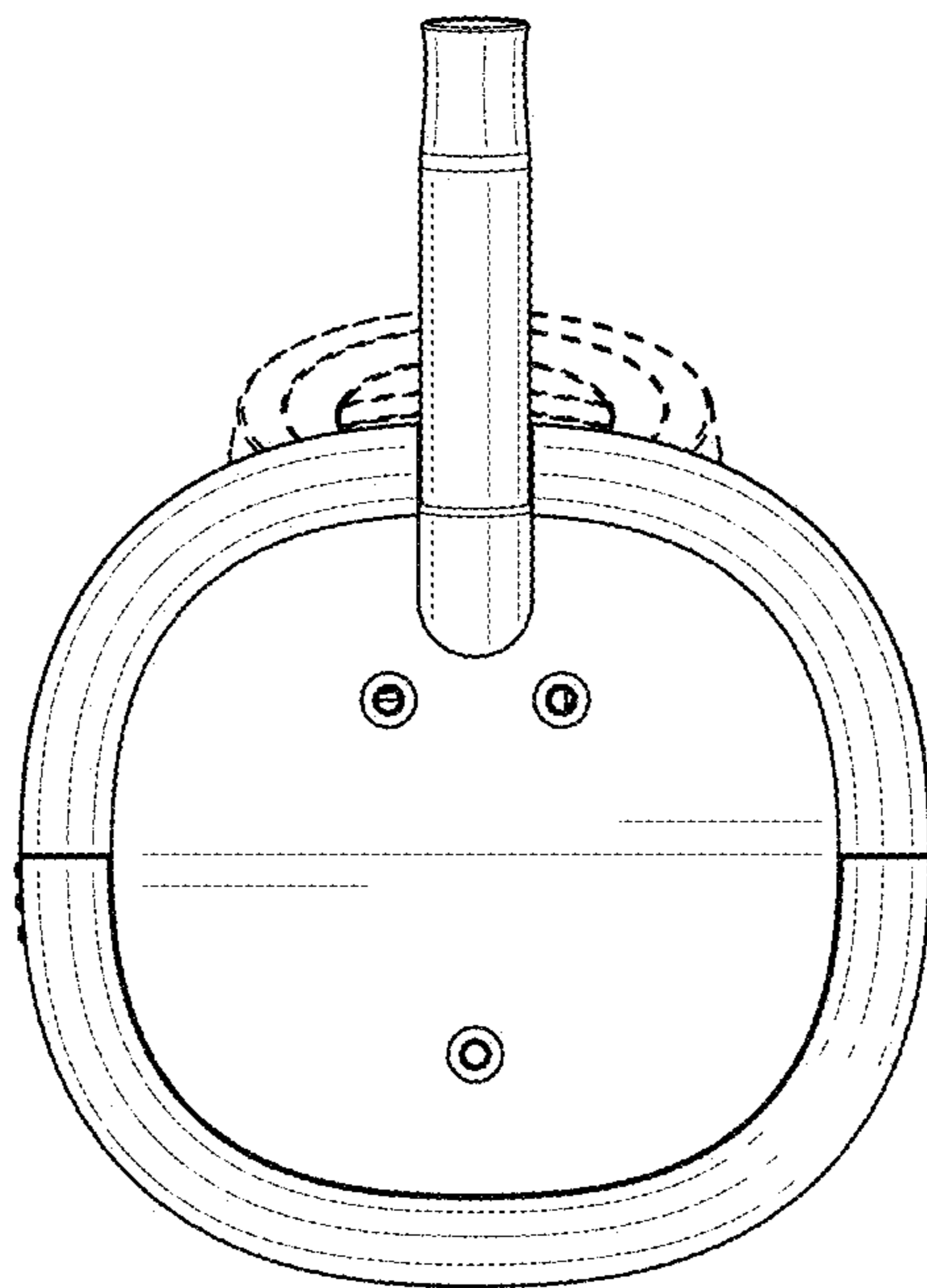


FIG. 7