



US00D939161S

(12) **United States Design Patent** (10) **Patent No.:** **US D939,161 S**  
**Alexander** (45) **Date of Patent:** **\*\* Dec. 21, 2021**

(54) **PRESSURE WASHER FRAME**  
(71) Applicant: **FNA Group, Inc.**, Pleasant Prairie, WI (US)  
(72) Inventor: **Gus Alexander**, Inverness, IL (US)  
(73) Assignee: **FNA GROUP, INC.**, Pleasant Prairie, WI (US)  
(\*\*) Term: **15 Years**  
(21) Appl. No.: **29/717,230**  
(22) Filed: **Dec. 16, 2019**

D459,851 S \* 7/2002 Rehkugler ..... D34/24  
D465,624 S \* 11/2002 Kolicheski ..... D32/25  
D579,612 S \* 10/2008 Rutkowski ..... D32/25  
(Continued)

**OTHER PUBLICATIONS**

Gas Pressure Washer <https://diamondtoolrentals.net/product/4000-psi-gas-pressure-washer-cold/> (Year: 2021).\*  
(Continued)

*Primary Examiner* — Michelle E. Wilson  
*Assistant Examiner* — Richard E Yenchesky  
(74) *Attorney, Agent, or Firm* — Hanley, Flight & Zimmerman, LLC

**Related U.S. Application Data**

(63) Continuation of application No. 29/694,808, filed on Jun. 13, 2019, now Pat. No. Des. 870,411, and a continuation of application No. 29/694,804, filed on Jun. 13, 2019, now Pat. No. Des. 870,410, said application No. 29/694,808 is a continuation of application No. 29/598,855, filed on Mar. 29, 2017, now Pat. No. Des. 854,763, said application No. 29/694,804 is a continuation of application No. 29/589,855, filed on Mar. 29, 2017, now Pat. No. Des. 854,763.

(51) **LOC (13) Cl.** ..... **15-05**  
(52) **U.S. Cl.**  
USPC ..... **D32/15**  
(58) **Field of Classification Search**  
USPC ..... D32/16, 15, 25; D34/24  
CPC ..... B08B 3/026; B05B 7/32; B05B 9/0855;  
B05B 15/00  
See application file for complete search history.

**References Cited**

**U.S. PATENT DOCUMENTS**

5,299,767 A \* 4/1994 Simpson ..... B05B 15/00  
239/175  
D402,433 S \* 12/1998 Wells ..... D34/24

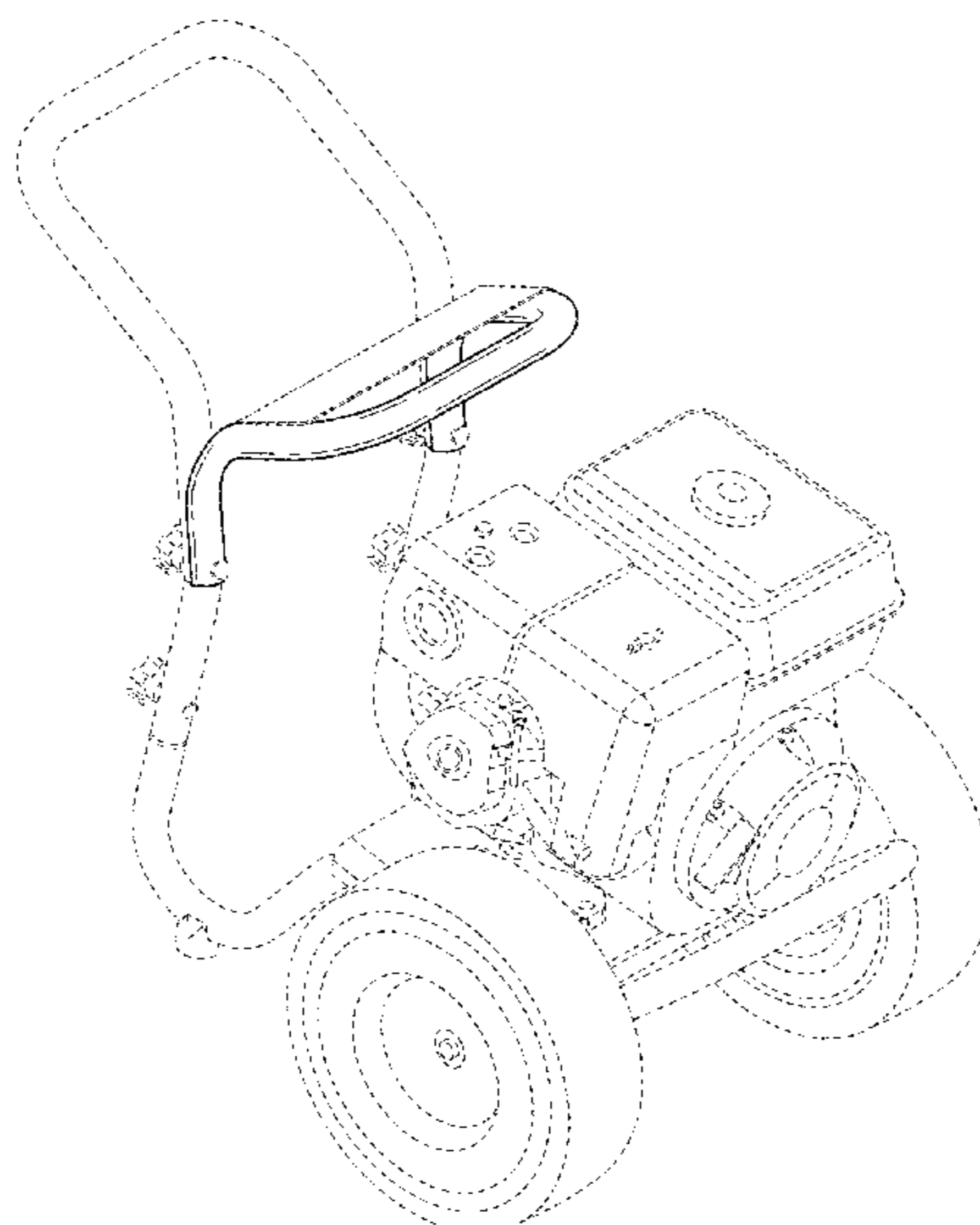
(57) **CLAIM**

The ornamental design for a “pressure washer frame”, as shown and described in FIGS. 1-7.

**DESCRIPTION**

FIG. 1 is a front, top perspective view of a pressure washer frame.  
FIG. 2 is a front view of the pressure washer frame of FIG. 1.  
FIG. 3 is a rear view of the pressure washer frame of FIG. 1.  
FIG. 4 is a left side view of the pressure washer frame of FIG. 1.  
FIG. 5 is a right side view of the pressure washer frame of FIG. 1.  
FIG. 6 is a top view of the pressure washer frame of FIG. 1; and,  
FIG. 7 is a bottom view of the pressure washer frame of FIG. 1.  
The features shown in broken lines form no part of the claimed design.  
The lighter solid lines denote surfaces and contours. Line shading is not surface ornamentation.

**1 Claim, 7 Drawing Sheets**



(56)

References Cited

U.S. PATENT DOCUMENTS

D580,610 S \* 11/2008 Hawkins ..... D32/25  
 D590,110 S \* 4/2009 Hawkins ..... D32/25  
 D595,911 S \* 7/2009 Rutkowski ..... D32/25  
 D596,817 S \* 7/2009 Glass ..... D32/25  
 D622,471 S \* 8/2010 Hernandez ..... D34/12  
 D633,263 S \* 2/2011 Fay ..... D32/15  
 D634,083 S \* 3/2011 Fay ..... D32/15  
 D639,001 S \* 5/2011 Alexander ..... D32/15  
 D648,082 S \* 11/2011 Alexander ..... D32/15  
 D665,545 S \* 8/2012 Alexander ..... D32/15  
 D686,788 S \* 7/2013 Kahan ..... D32/16  
 D688,841 S \* 8/2013 van Deursen ..... D32/25  
 8,602,323 B2 \* 12/2013 Bearup ..... B08B 3/026  
 239/147  
 D702,900 S \* 4/2014 Kahan ..... D32/16  
 D703,888 S \* 4/2014 Kahan ..... D32/16  
 D732,764 S \* 6/2015 Kennard ..... D32/15  
 D733,373 S \* 6/2015 Kahan ..... D32/16  
 D749,805 S \* 2/2016 Janik ..... D32/16  
 D804,750 S \* 12/2017 Janik ..... D32/16  
 D824,612 S \* 7/2018 Alexander ..... D32/16  
 D824,613 S \* 7/2018 Alexander ..... D32/16  
 D834,269 S \* 11/2018 Masters ..... D32/15  
 D836,272 S \* 12/2018 Janik ..... D32/15  
 D854,763 S \* 7/2019 Alexander ..... D32/24  
 D870,410 S \* 12/2019 Alexander ..... D34/24  
 D870,411 S \* 12/2019 Alexander ..... D34/24  
 D901,799 S \* 11/2020 Stariha ..... D32/25  
 D916,140 S \* 4/2021 Vintzel ..... D15/7  
 2005/0248150 A1 \* 11/2005 Gilpatrick ..... B08B 3/026  
 285/92  
 2006/0038034 A1 \* 2/2006 Hillary ..... B05B 9/0855  
 239/146  
 2009/0294603 A1 \* 12/2009 Amundson ..... E02F 3/3654  
 248/75  
 2011/0314707 A1 \* 12/2011 Raftery ..... E01H 5/045  
 37/224

2012/0017394 A1 \* 1/2012 Junk ..... B62B 5/067  
 16/349  
 2012/0042477 A1 \* 2/2012 Junk ..... B25F 5/02  
 16/429  
 2014/0112010 A1 \* 4/2014 Lambert ..... B60Q 1/0441  
 362/387  
 2014/0250739 A1 \* 9/2014 Distefanis, Jr. .... E01H 5/04  
 37/260  
 2016/0280112 A1 \* 9/2016 Jarvis ..... B62D 63/064  
 2017/0164552 A1 \* 6/2017 Jackson ..... A01D 34/824  
 2018/0021800 A1 \* 1/2018 Janik ..... B08B 3/026  
 239/146  
 2018/0133729 A1 \* 5/2018 Masters ..... B05B 7/32  
 2018/0290180 A1 \* 10/2018 Luby ..... B08B 3/026

OTHER PUBLICATIONS

Dewait Pro <https://diamondtoolrentals.net/product/4000-psi-gas-pressure-washer-cold/> (Year: 2021).  
 Simpson Powershot [https://www.pressurewashersdirect.com/Simpson-PS60843-Pressure-Washer/p71133.html?gclid=EA1a1QobChMI3r2cgsCY8QIV1eDlCh3whQBtEAKYCSABEgKbPfd\\_BwE](https://www.pressurewashersdirect.com/Simpson-PS60843-Pressure-Washer/p71133.html?gclid=EA1a1QobChMI3r2cgsCY8QIV1eDlCh3whQBtEAKYCSABEgKbPfd_BwE) (Year: 2020).  
 Predator <https://www.forconstructionpros.com/rental/general-tool/pressure-washers/product/21059518/harbor-freight-tools-predator-4400-psi-commercial-duty-gas-pressure-washer> (Year: 2021).  
 United States Patent and Trademark Office, "Notice of Allowance and Fee(s) Due," issued in connection with U.S. Appl. No. 29/598,855, dated Dec. 19, 2018, 8 pages.  
 United States Patent and Trademark Office, "Notice of Allowance and Fee(s) Due," issued in connection with U.S. Appl. No. 29/694,804, dated Aug. 14, 2019, 8 pages.  
 United States Patent and Trademark Office, "Notice of Allowance and Fee(s) Due," issued in connection with U.S. Appl. No. 29/694,808, dated Aug. 14, 2019, 8 pages.

\* cited by examiner

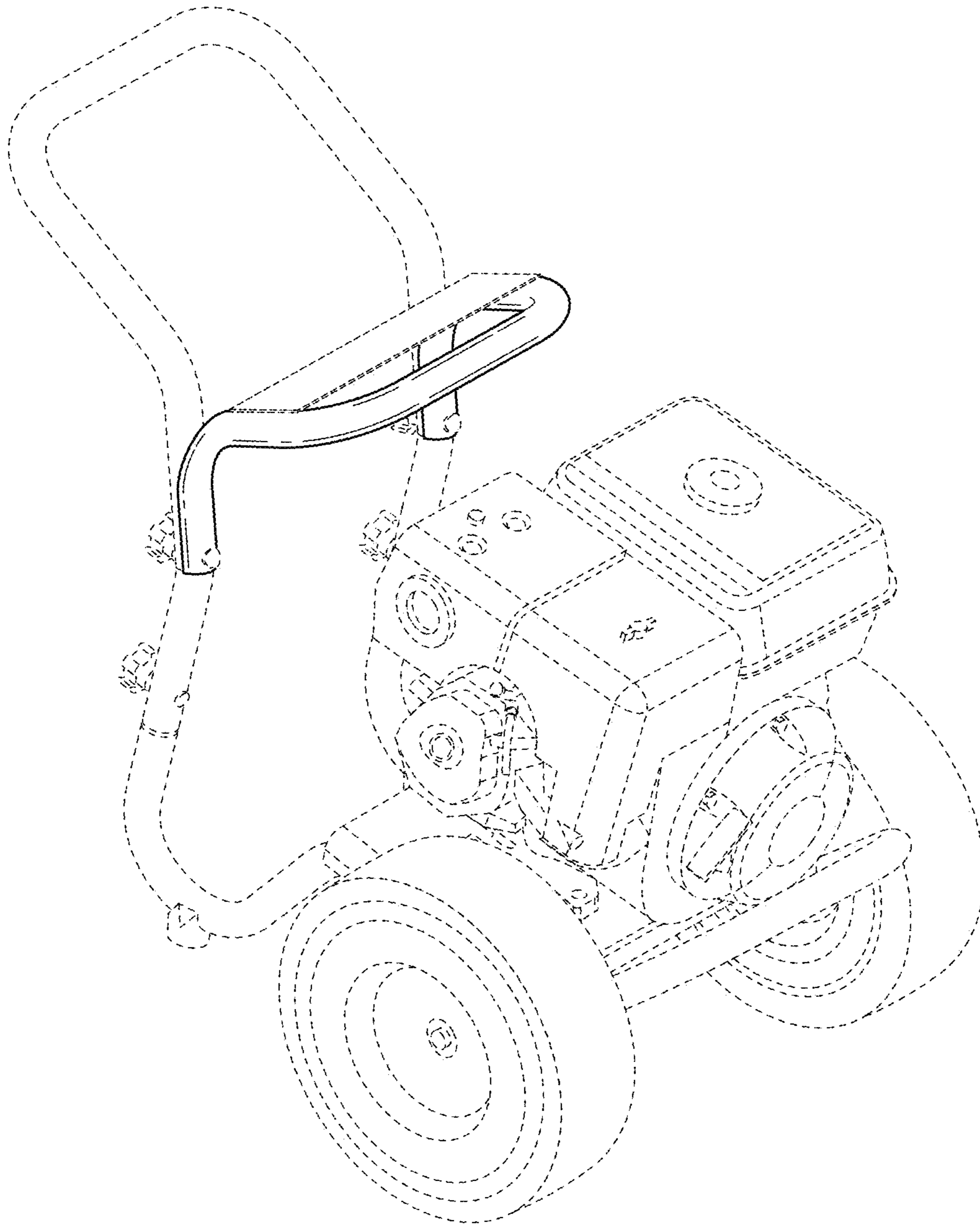


FIG. 1

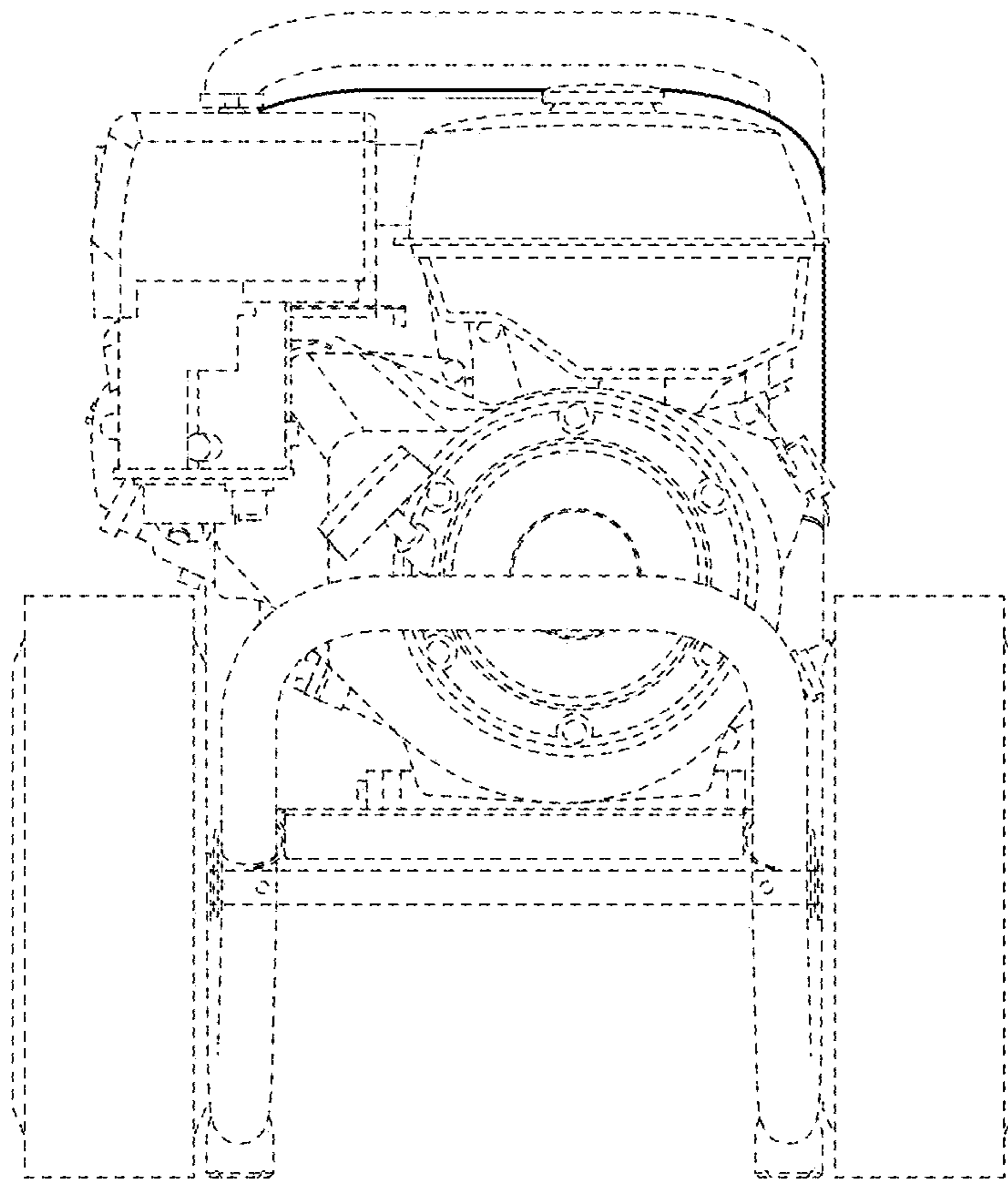


FIG. 2

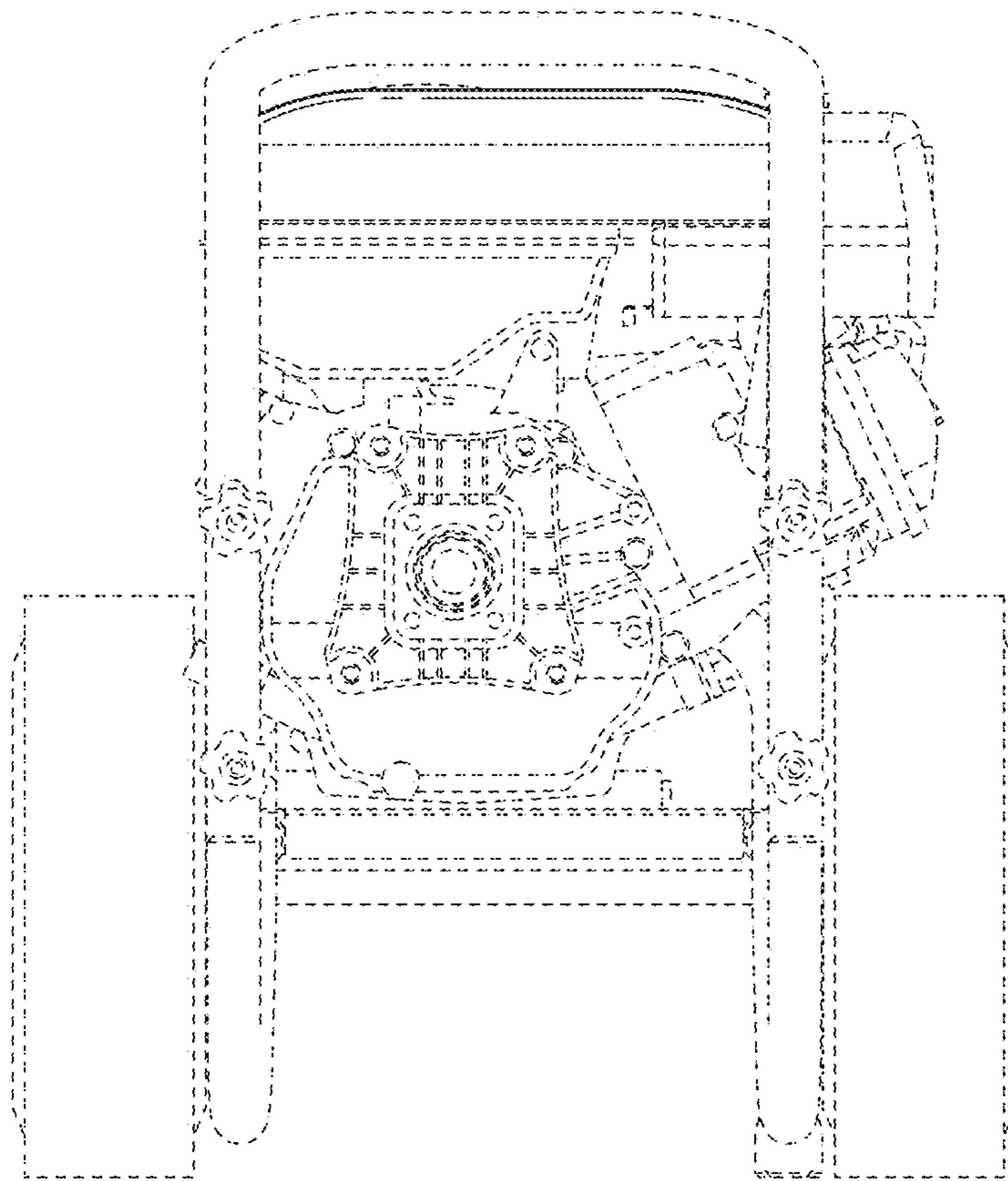


FIG.3

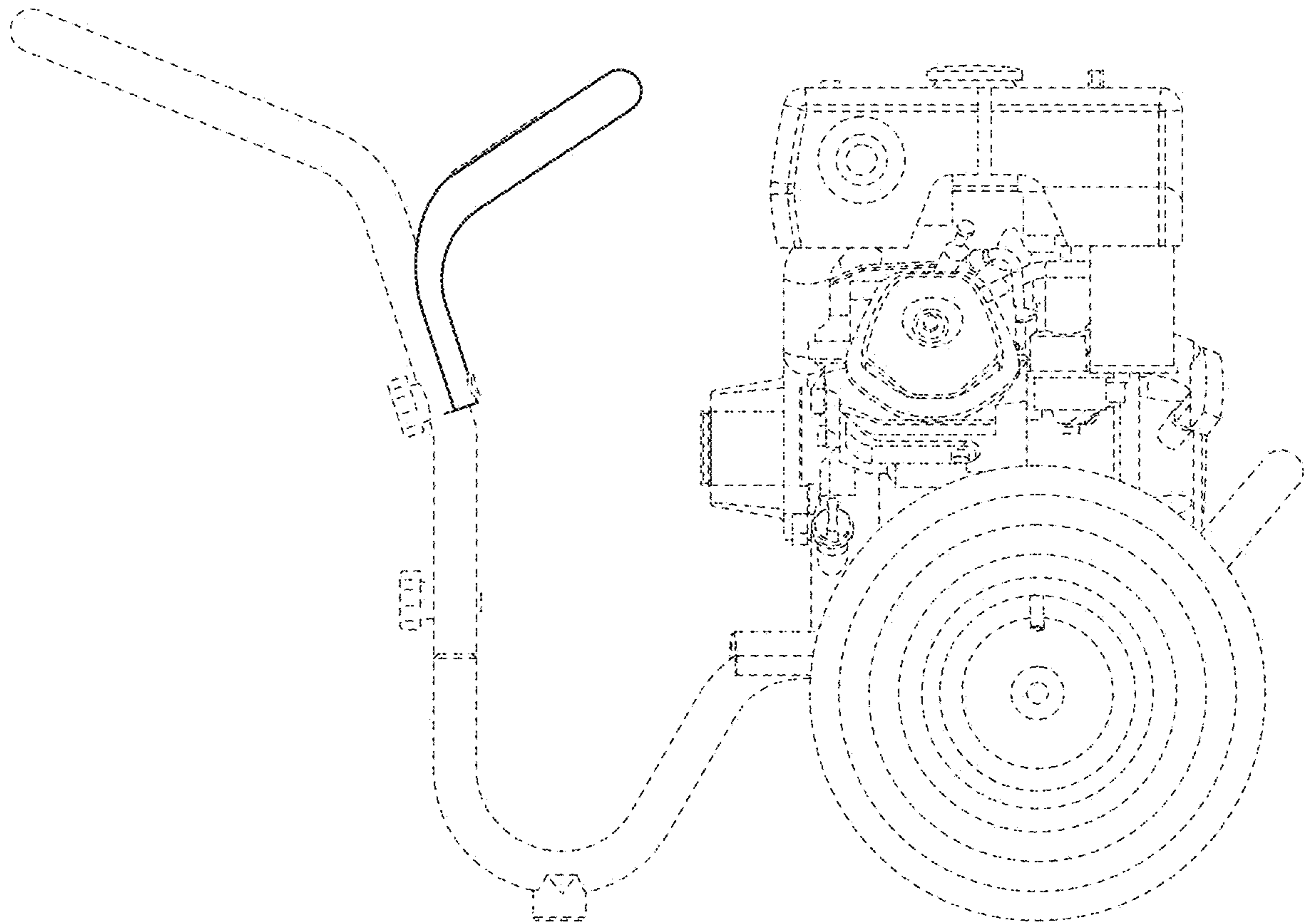


FIG.4

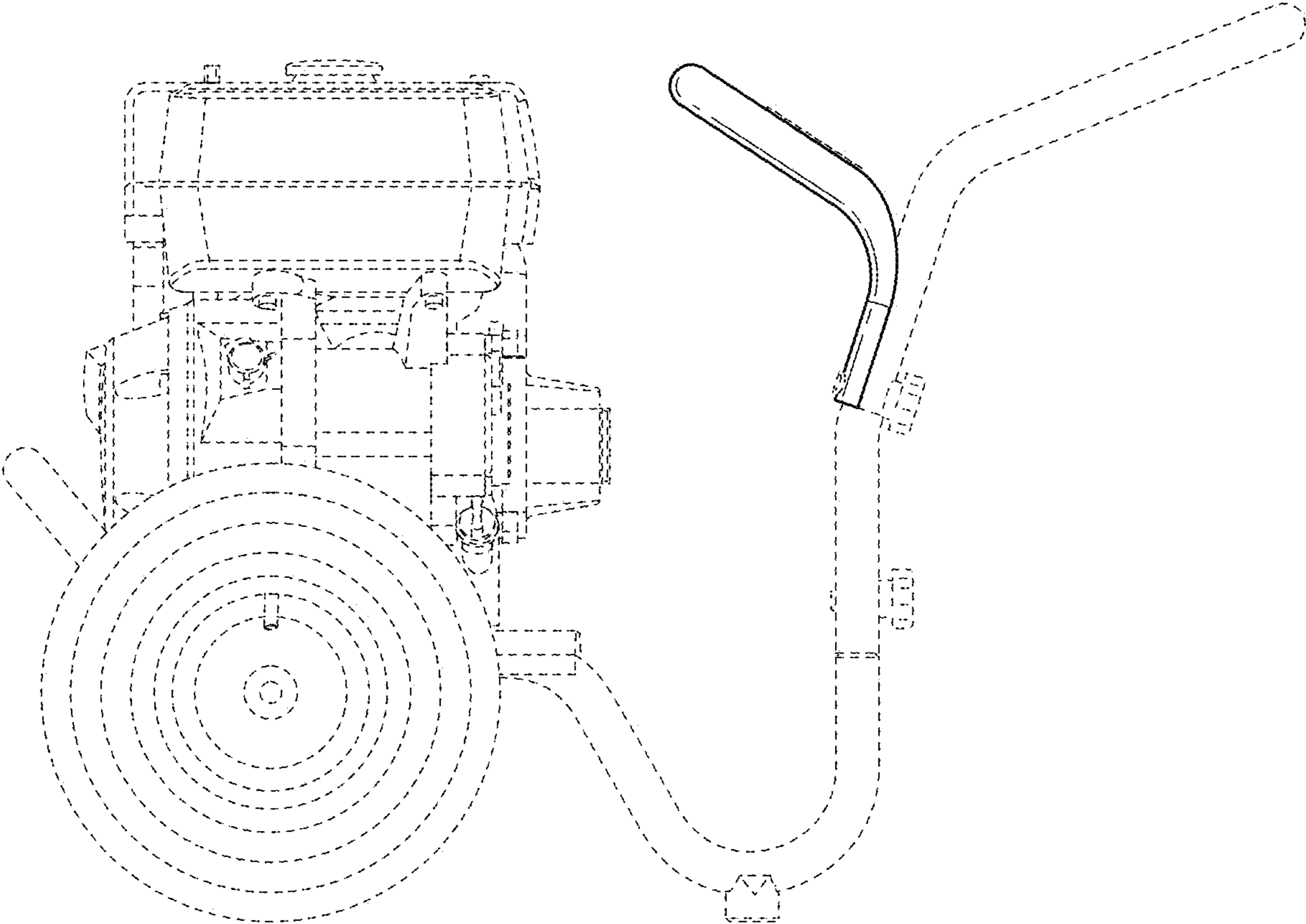


FIG.5

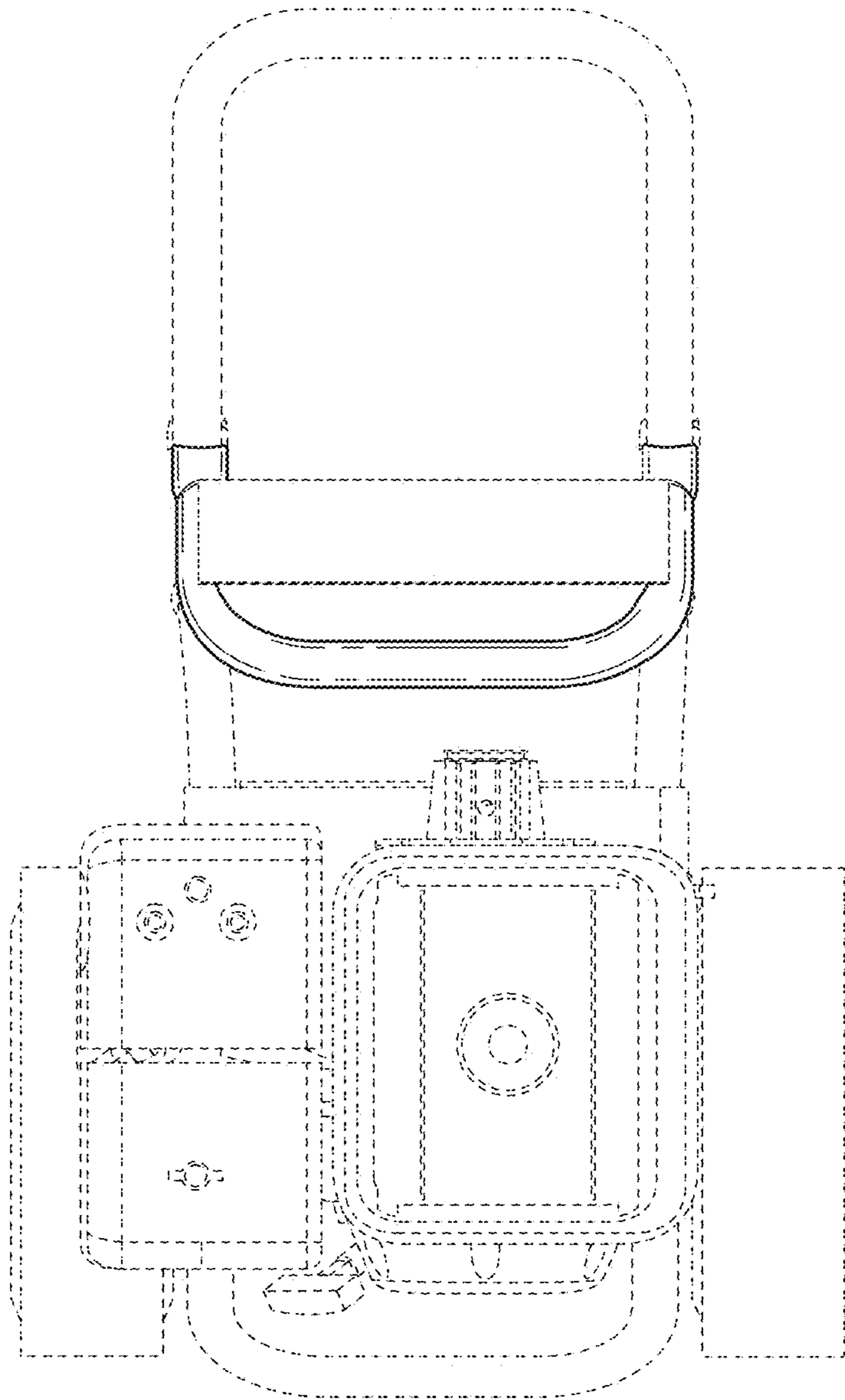


FIG. 6



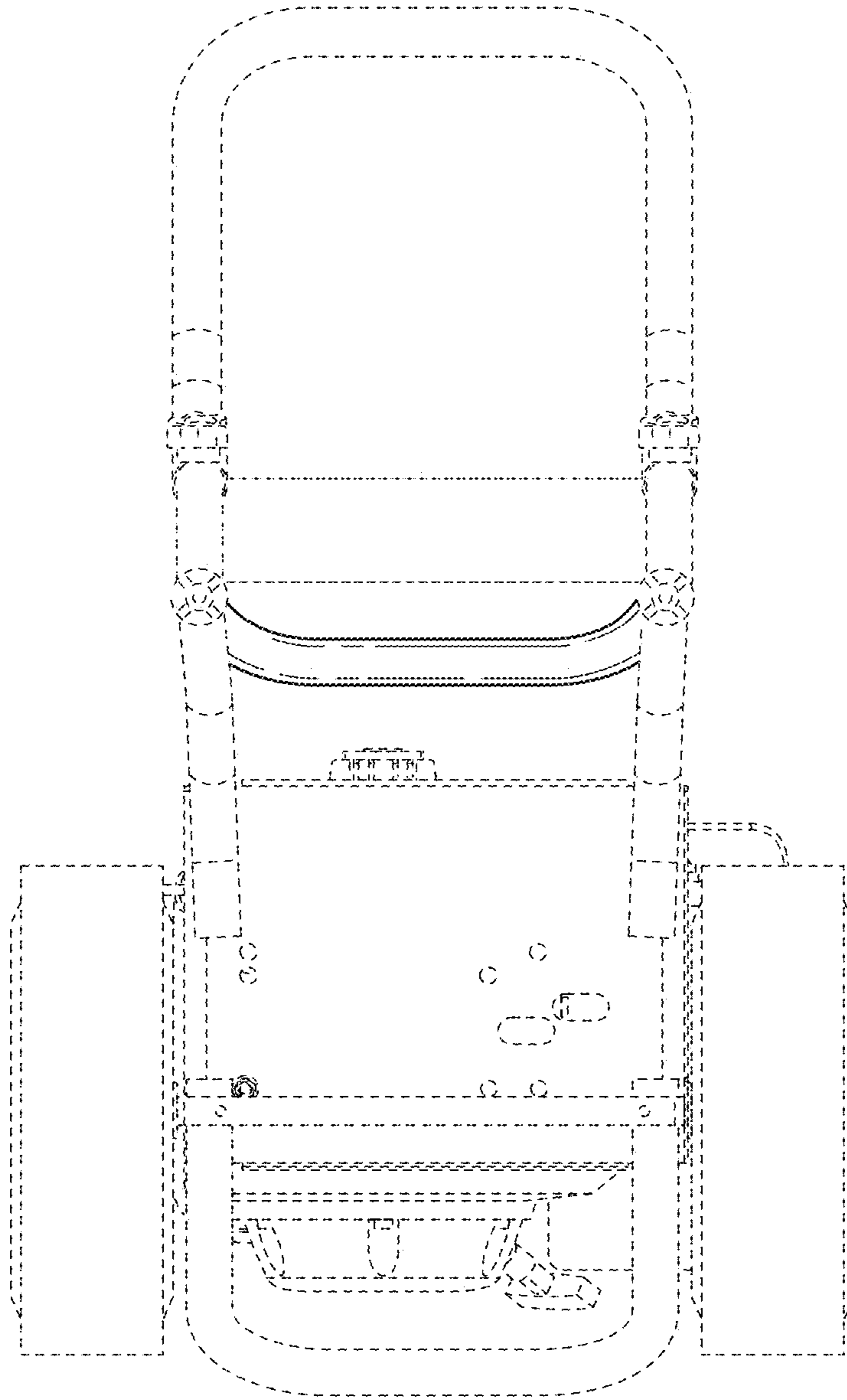


FIG. 7