



US00D939159S

(12) **United States Design Patent**
Nam et al.

(10) **Patent No.:** **US D939,159 S**

(45) **Date of Patent:** **** Dec. 21, 2021**

(54) **REMOVABLE TROLLEY FOR USE IN A DISHWASHER**

FOREIGN PATENT DOCUMENTS

(71) Applicant: **LG ELECTRONICS INC.**, Seoul (KR)

JP D1669923 * 10/2020
KR 300999984.0000 * 3/2021

(72) Inventors: **Bohyun Nam**, Seoul (KR); **Kyutae Park**, Seoul (KR); **Jungkyu Son**, Seoul (KR); **Seonil Yu**, Seoul (KR); **Wonjun Lee**, Seoul (KR)

Primary Examiner — Michelle E. Wilson

Assistant Examiner — Tracey J Bell

(74) *Attorney, Agent, or Firm* — Birch, Stewart, Kolasch & Birch, LLP

(73) Assignee: **LG ELECTRONICS INC.**, Seoul (KR)

(57) **CLAIM**

The ornamental design for a removable trolley for use in a dishwasher, as shown and described.

(**) Term: **15 Years**

DESCRIPTION

(21) Appl. No.: **35/509,374**

The patent or application file contains at least one drawing executed in color. Copies of this patent or patent application publication with color drawing(s) will be provided by the Office upon request and payment of the necessary fee.

(22) Filed: **Mar. 13, 2019**

1. Removable trolley for use in a dishwasher

(80) **Hague Agreement Data**

Int. Filing Date: **Mar. 13, 2019**

Int. Reg. No.: **DM/207981**

Int. Reg. Date: **Mar. 13, 2019**

Int. Reg. Pub. Date: **May 15, 2020**

1.1 : Perspective

1.2 : Front

1.3 : Back

1.4 : Left

1.5 : Right

1.6 : Top

1.7 : Bottom

1.8 : Perspective view of the removable trolley for use in a dishwasher shown in an environment of use.

(30) **Foreign Application Priority Data**

Sep. 17, 2018 (KR) 30-2018-0043506

(51) **LOC (13) Cl.** **15-05**

(52) **U.S. Cl.**
USPC **D32/3**

(58) **Field of Classification Search**

USPC D32/1-3, 12, 14, 32, 55; D6/675.5, 675, D6/705; D34/12, 14, 17, 19, 21, 25; D24/185

1.9 : Perspective view of the removable trolley for use in a dishwasher shown in an environment of use.

1.10 : Perspective

1.11 : Front

1.12 : Back

1.13 : Left

1.14 : Right

1.15 : Top

1.16 : Bottom

1.17 : Perspective

1.18 : Front

1.19 : Back

1.20 : Left

1.21 : Right

1.22 : Top

1.23 : Bottom

(Continued)

(56) **References Cited**

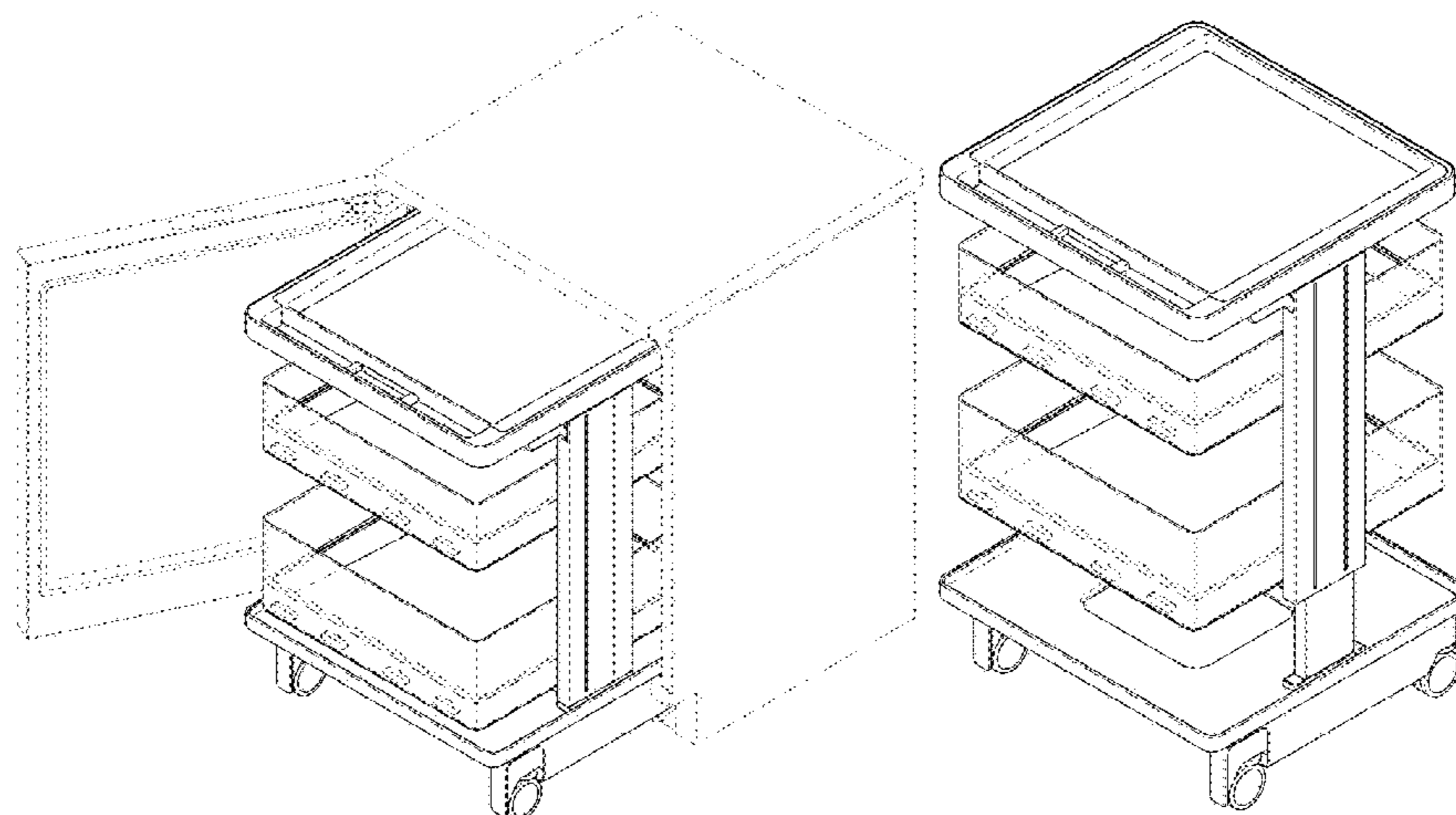
U.S. PATENT DOCUMENTS

D250,863 S * 1/1979 Berti D34/21

D285,134 S * 8/1986 Schunter D34/21

(Continued)

(Continued)



The broken lines depict portions of the removable trolley for use in a dishwasher and environmental subject matter that form no part of the claimed design. The portions of the removable trolley for use in a dishwasher shown in the color grey illustrate portions of the removable trolley for use in a dishwasher that form no part of the claimed design.

**1 Claim, 23 Drawing Sheets
(23 of 23 Drawing Sheet(s) Filed in Color)**

(58) **Field of Classification Search**

CPC A47L 15/504; A47L 15/507; A47L 15/502;
A47L 15/503; A47L 15/50; A47L 15/506;
A47L 15/501; A47L 15/505; A47L
15/0084; A47L 15/16; A47L 15/00

See application file for complete search history.

(56)

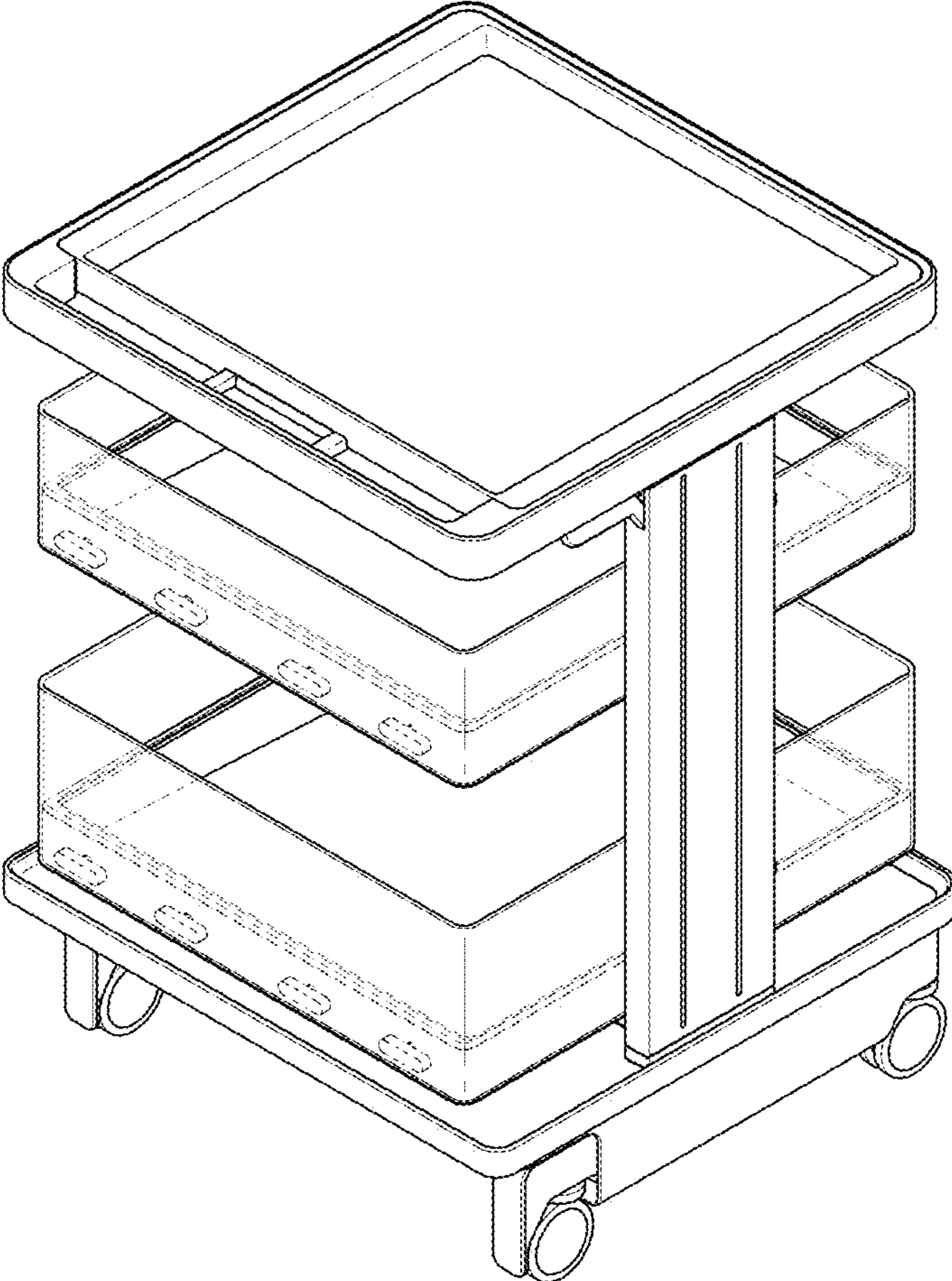
References Cited

U.S. PATENT DOCUMENTS

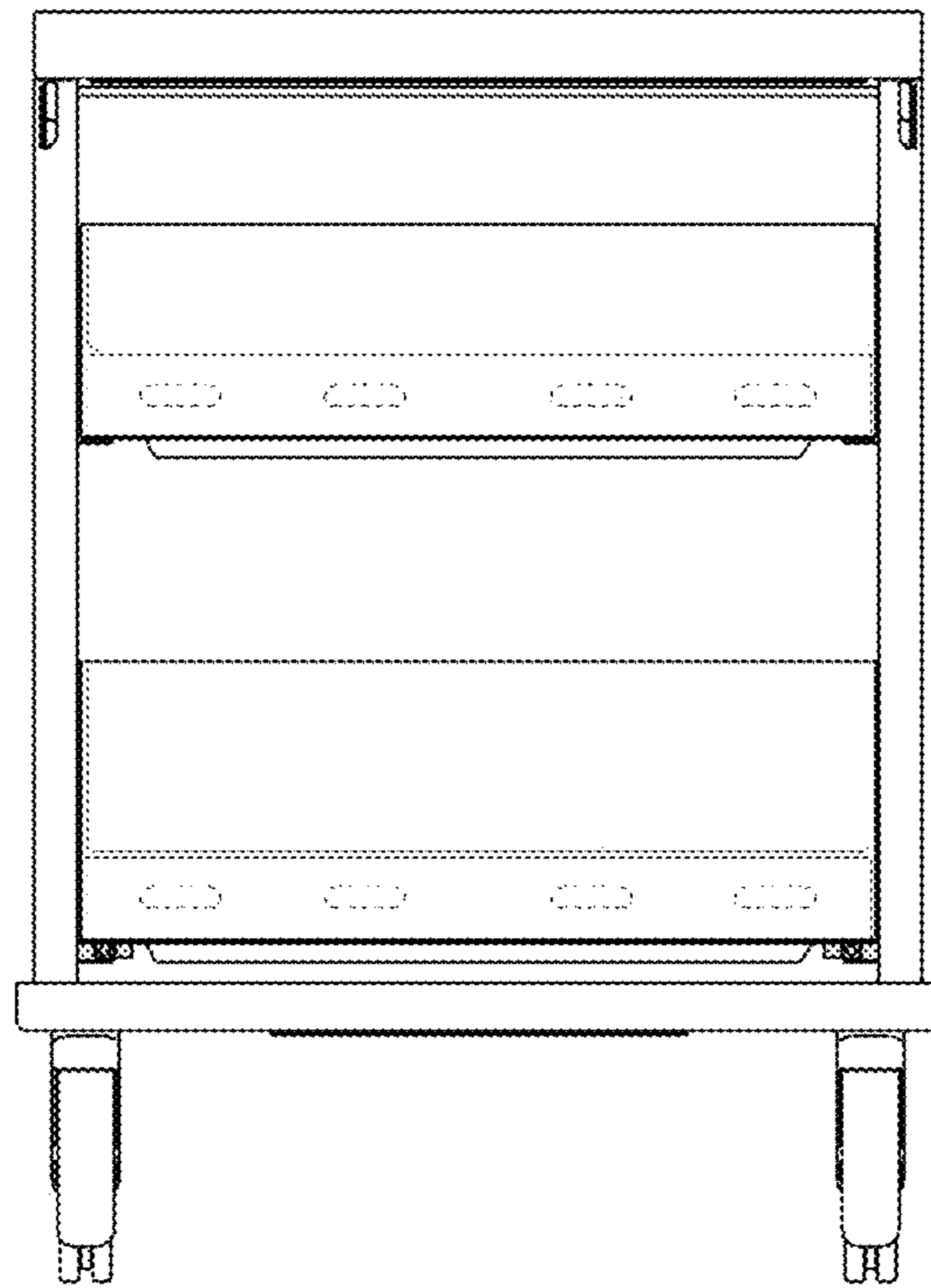
D501,591	S *	2/2005	Lucht	D34/12
D505,817	S *	6/2005	Jackson	D6/705
D668,829	S *	10/2012	Ono	D34/12
D708,875	S *	7/2014	McNamara	D6/705
D748,359	S *	1/2016	Lustig	D34/21
D756,584	S *	5/2016	Dunford	D34/12
D792,047	S *	7/2017	Garey	D34/12
D800,398	S *	10/2017	Haft	D32/3
D843,724	S *	3/2019	Drendel	D3/297
D897,615	S *	9/2020	Nam	D32/3
D919,202	S *	5/2021	Nam	D32/2
D919,203	S *	5/2021	Nam	D32/2
2013/0125939	A1 *	5/2013	Baldwin	G05B 15/02 134/57 DL
2017/0231464	A1 *	8/2017	Kong	A47L 15/50 134/34
2018/0235432	A1 *	8/2018	Pugh	A47L 15/505

* cited by examiner

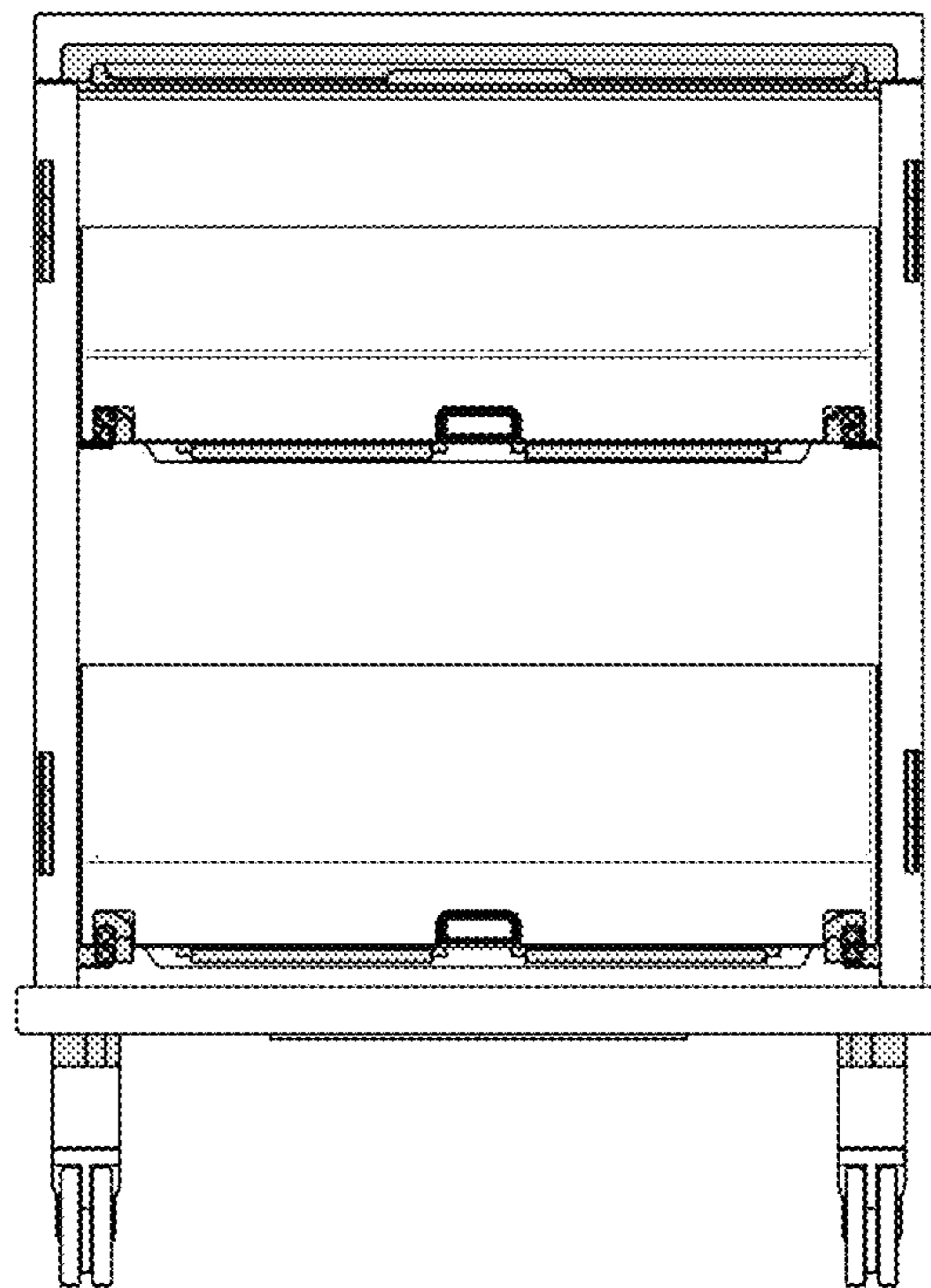
1.1



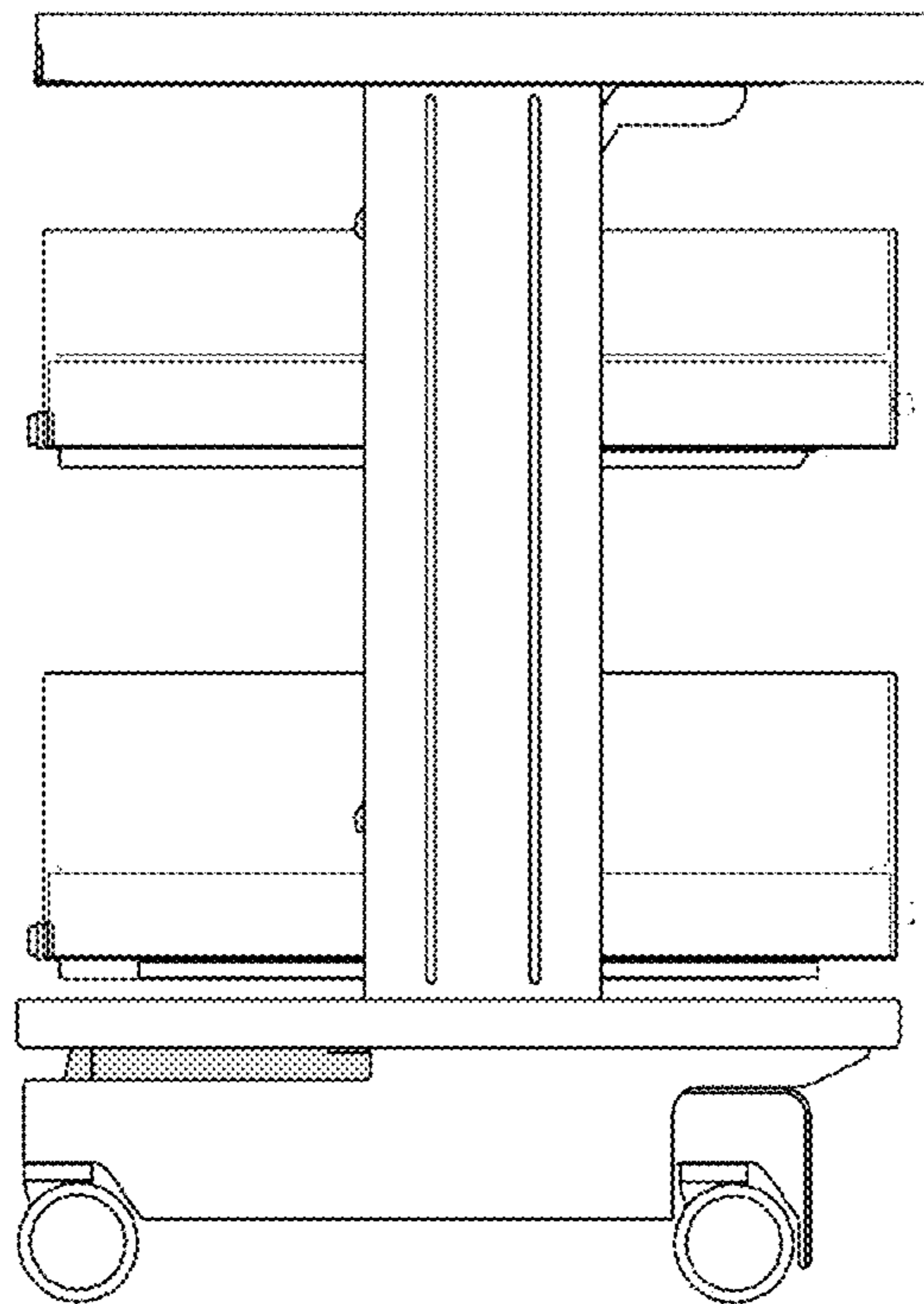
1.2



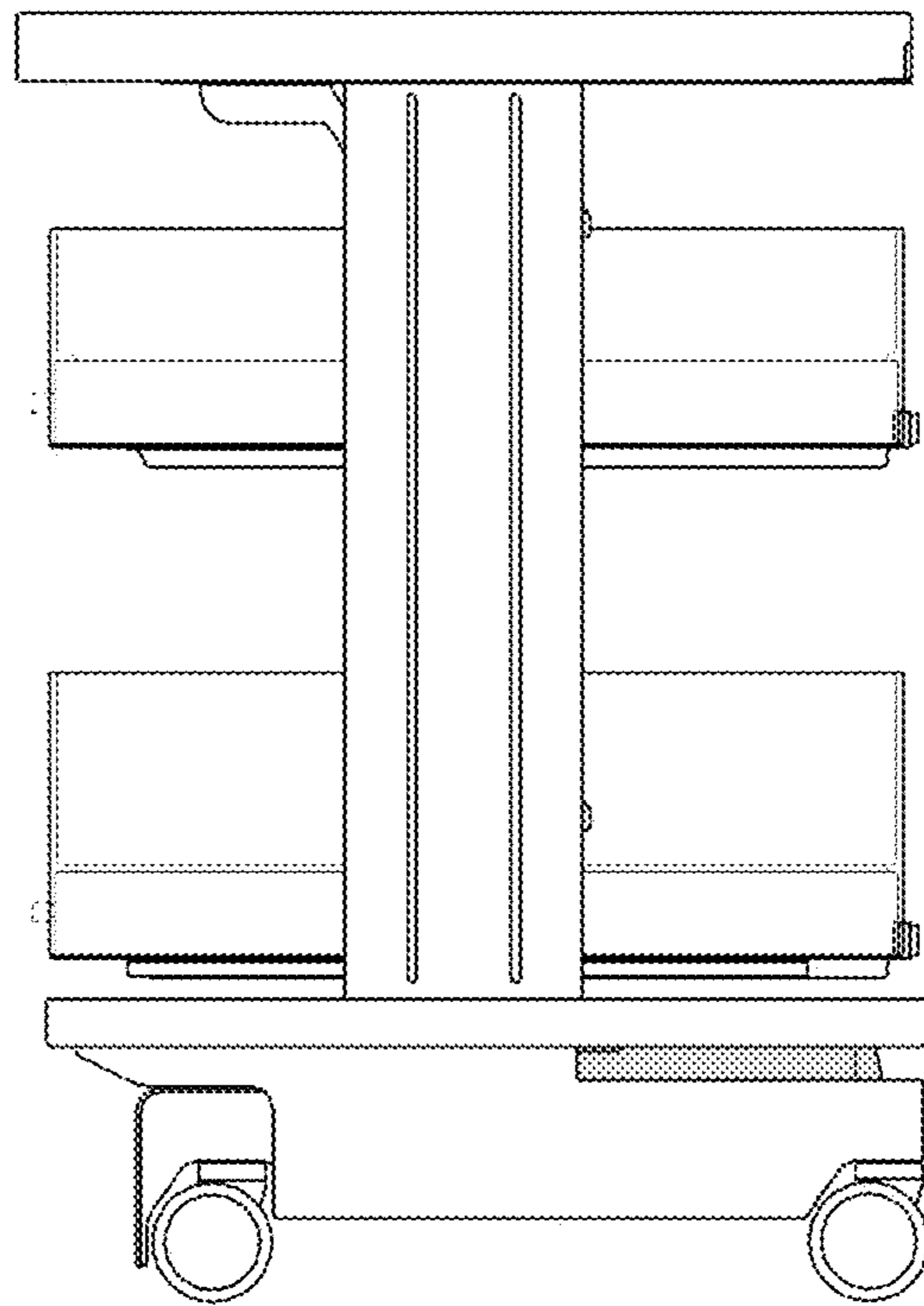
1.3



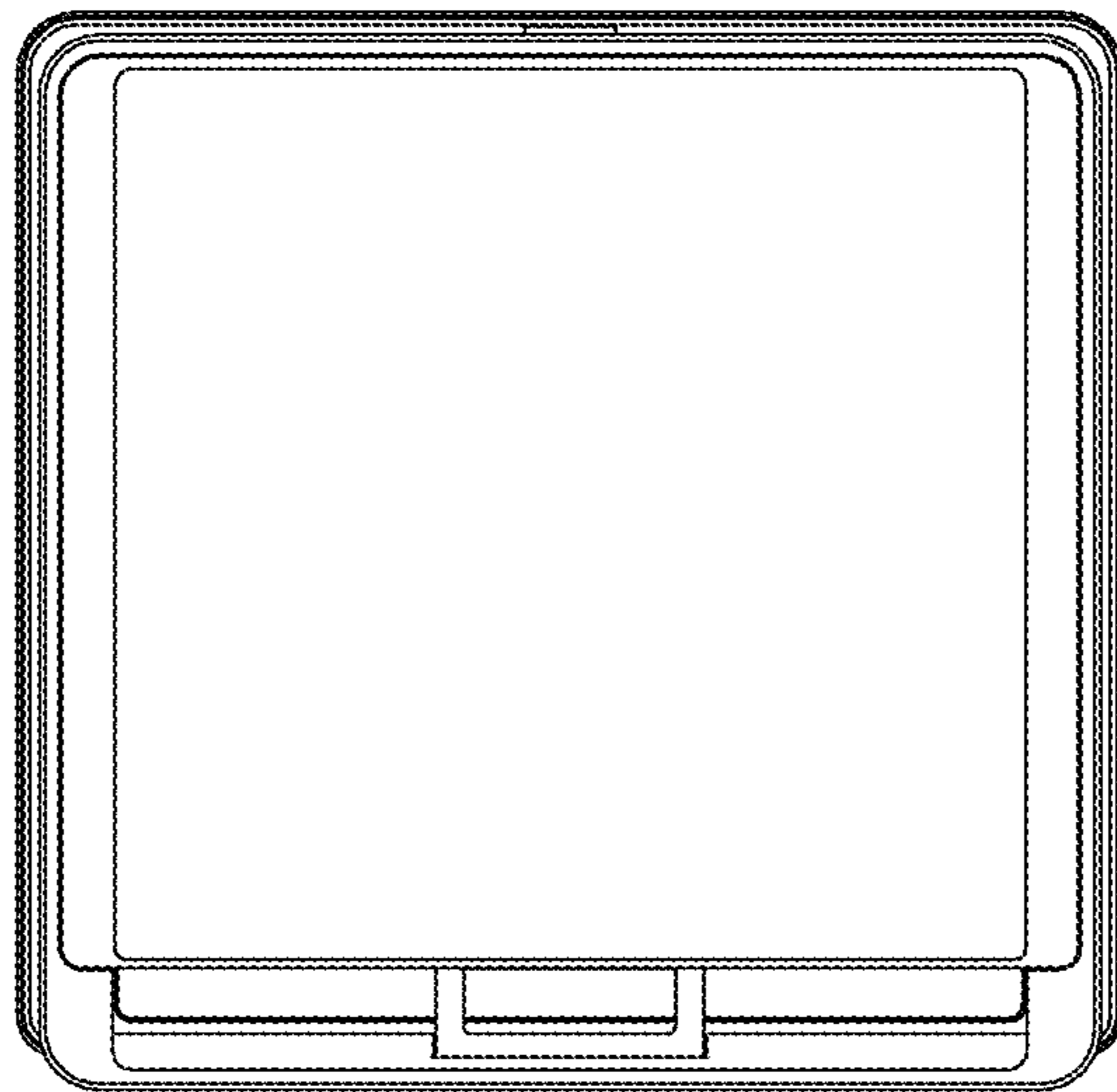
1.4



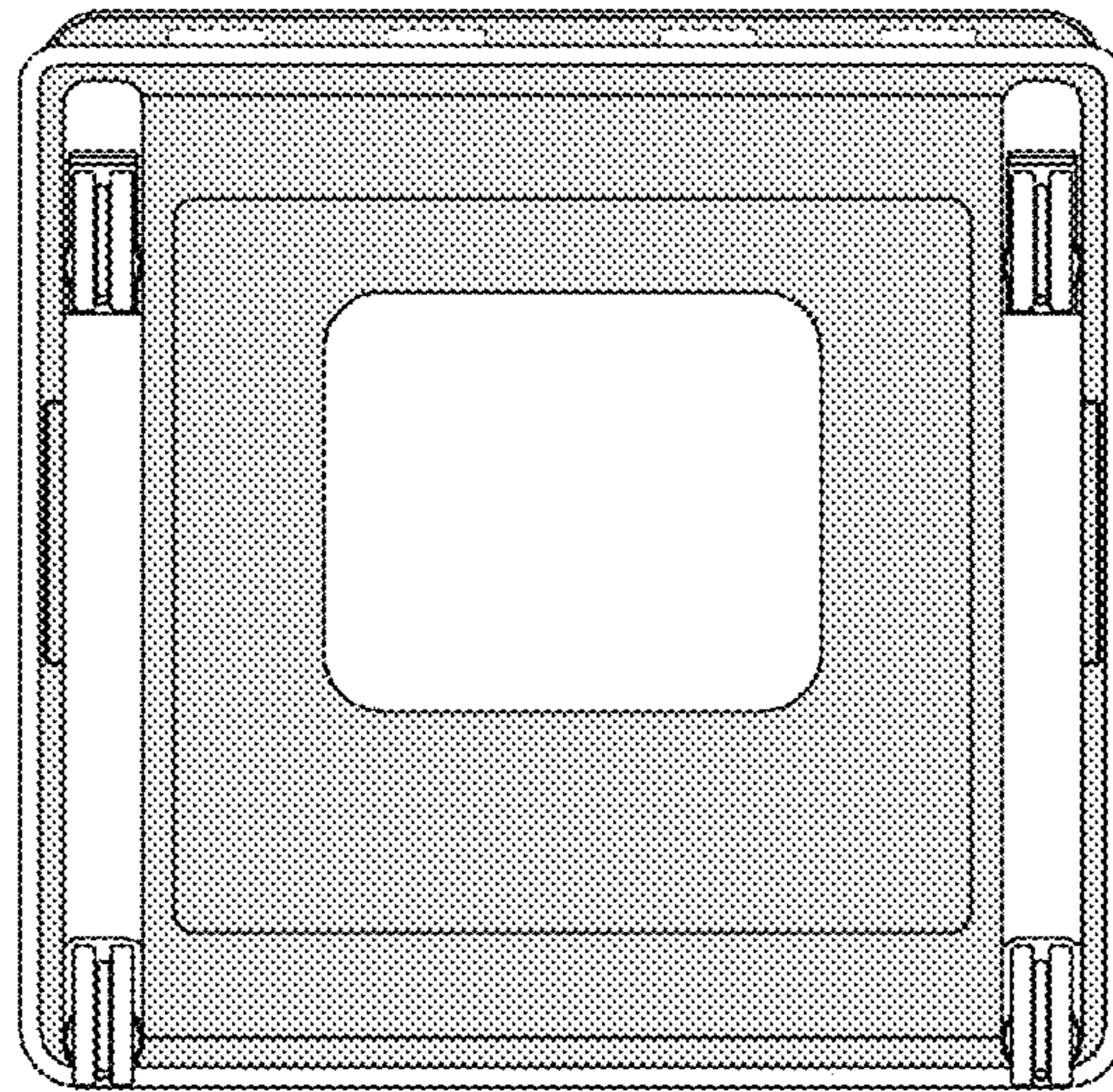
1.5



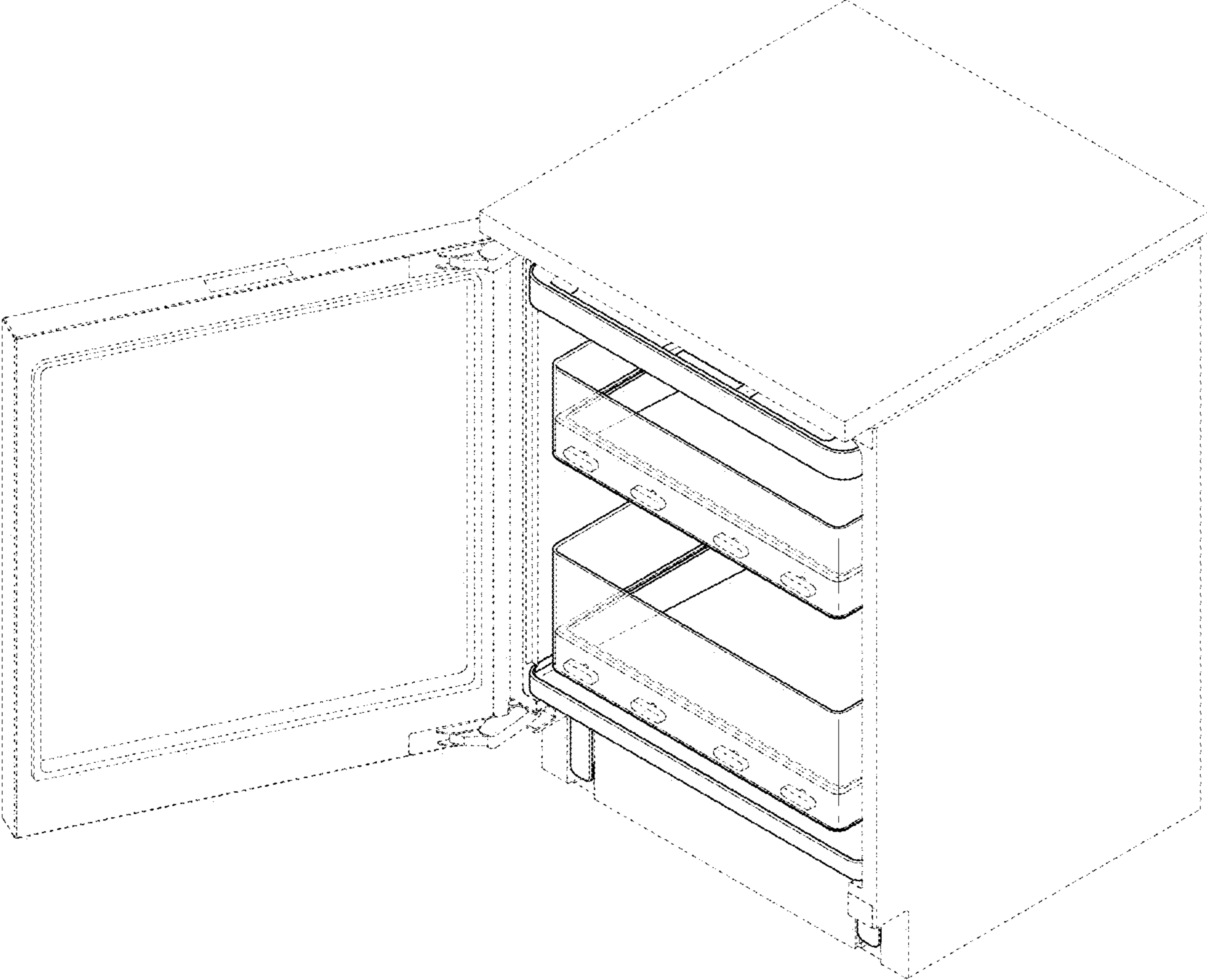
1.6



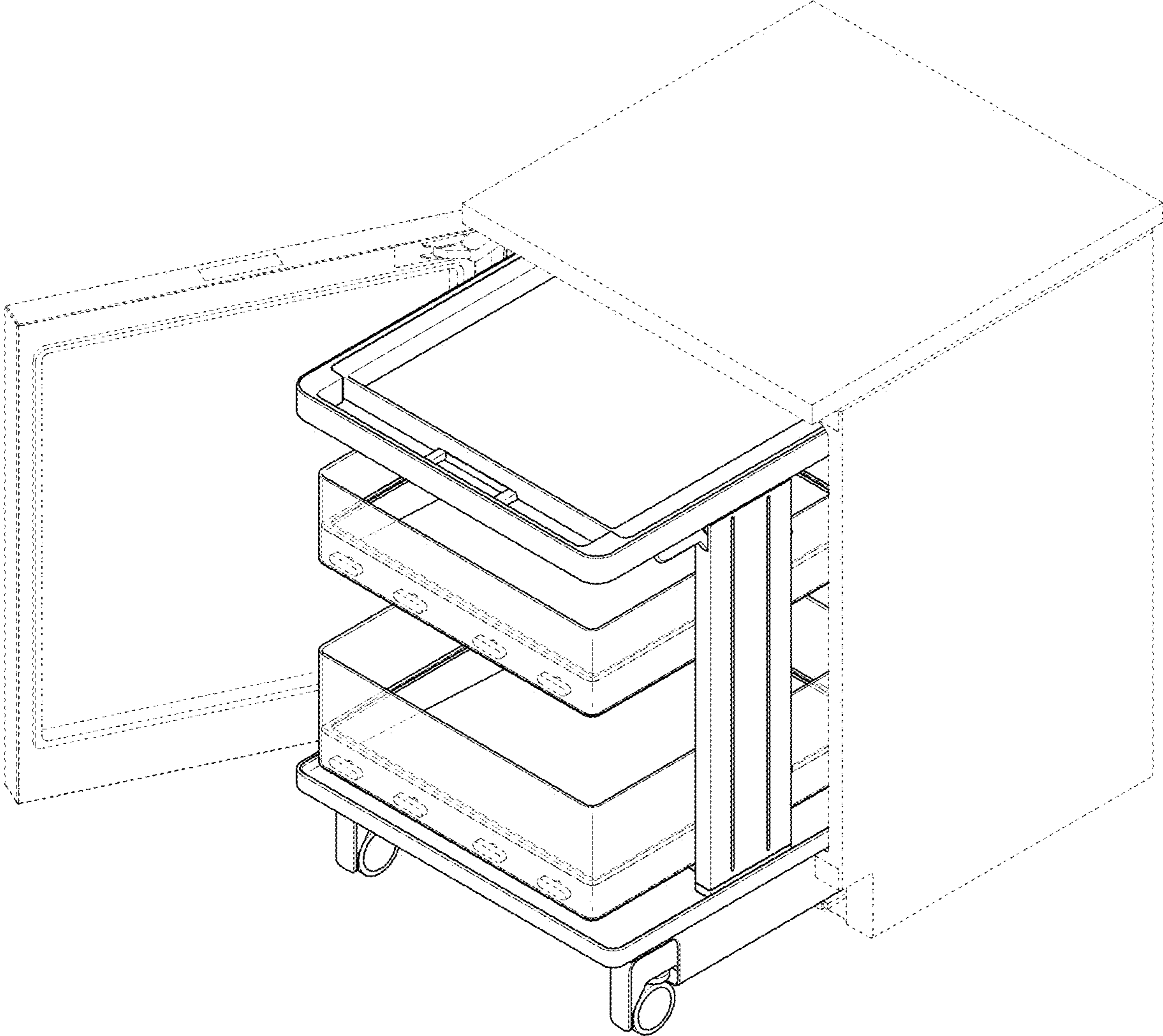
1.7



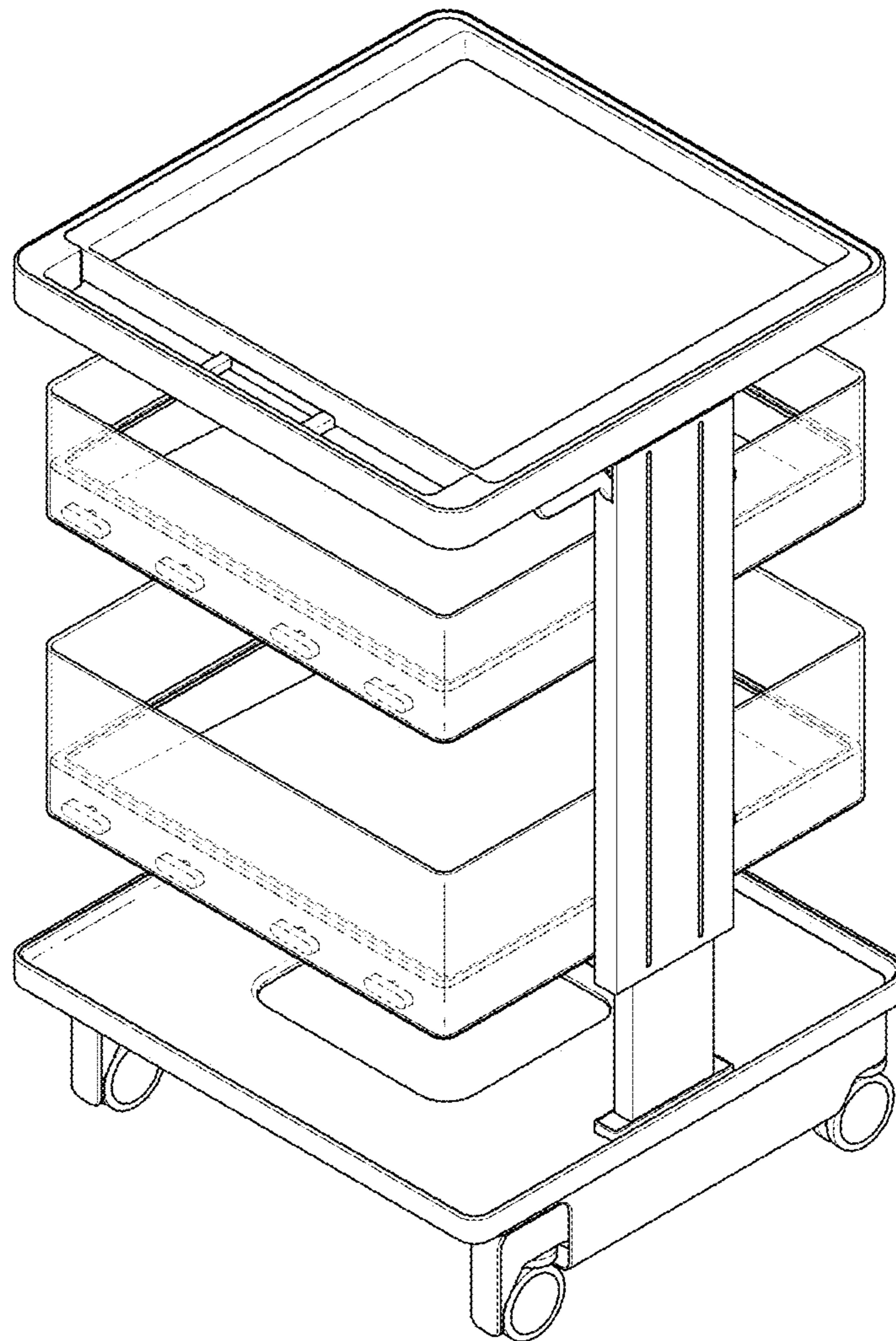
1.8



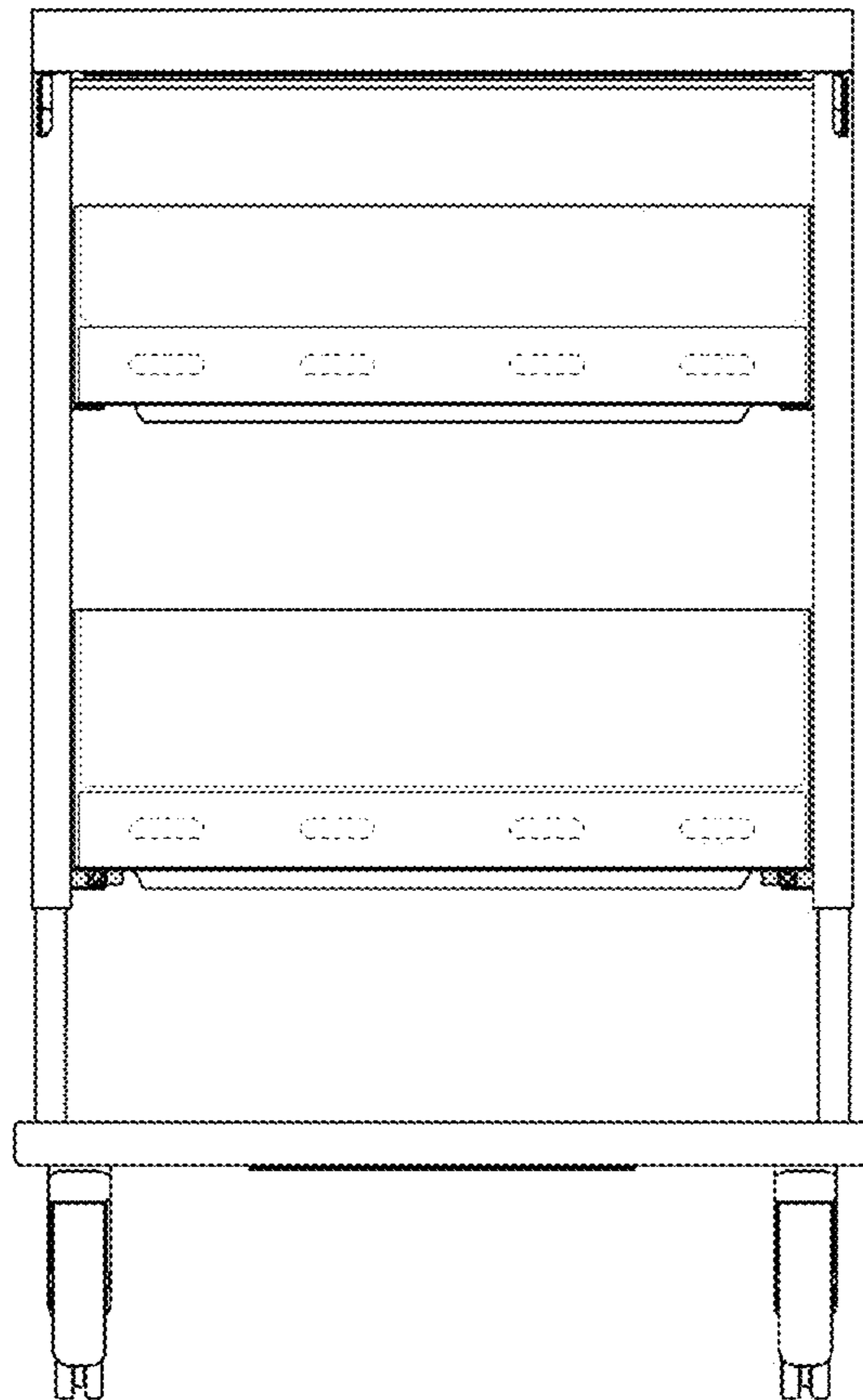
1.9



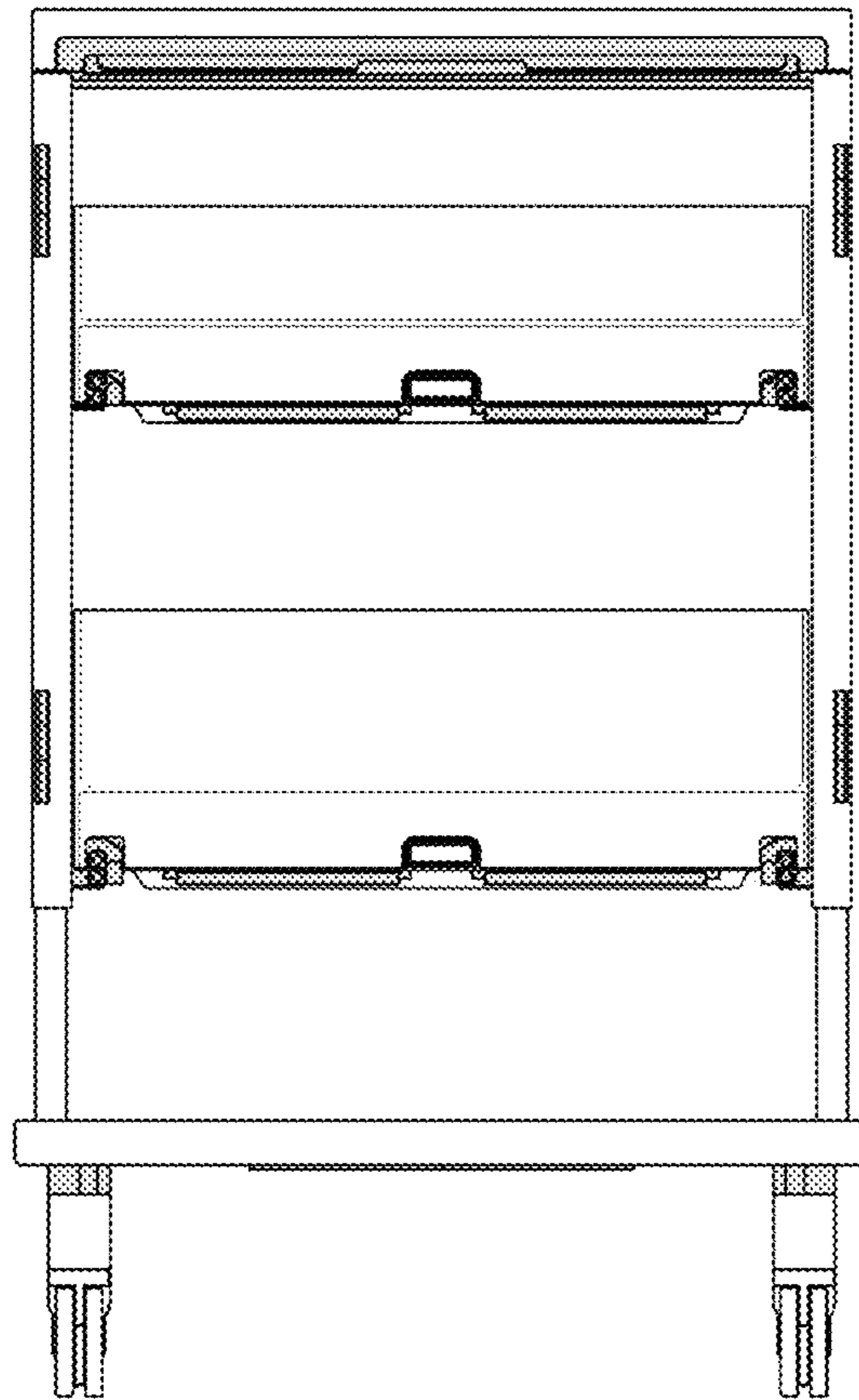
1.10



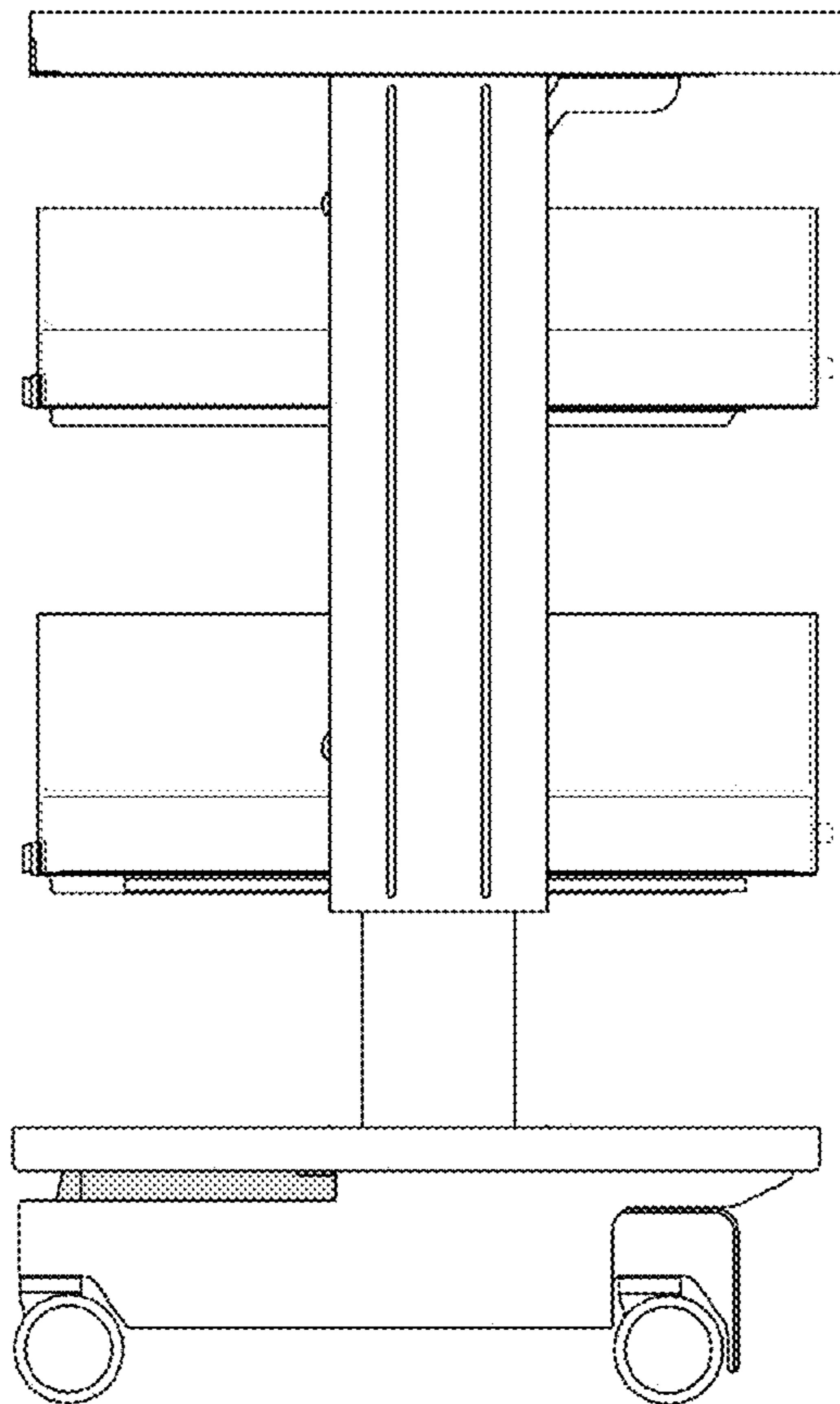
1.11



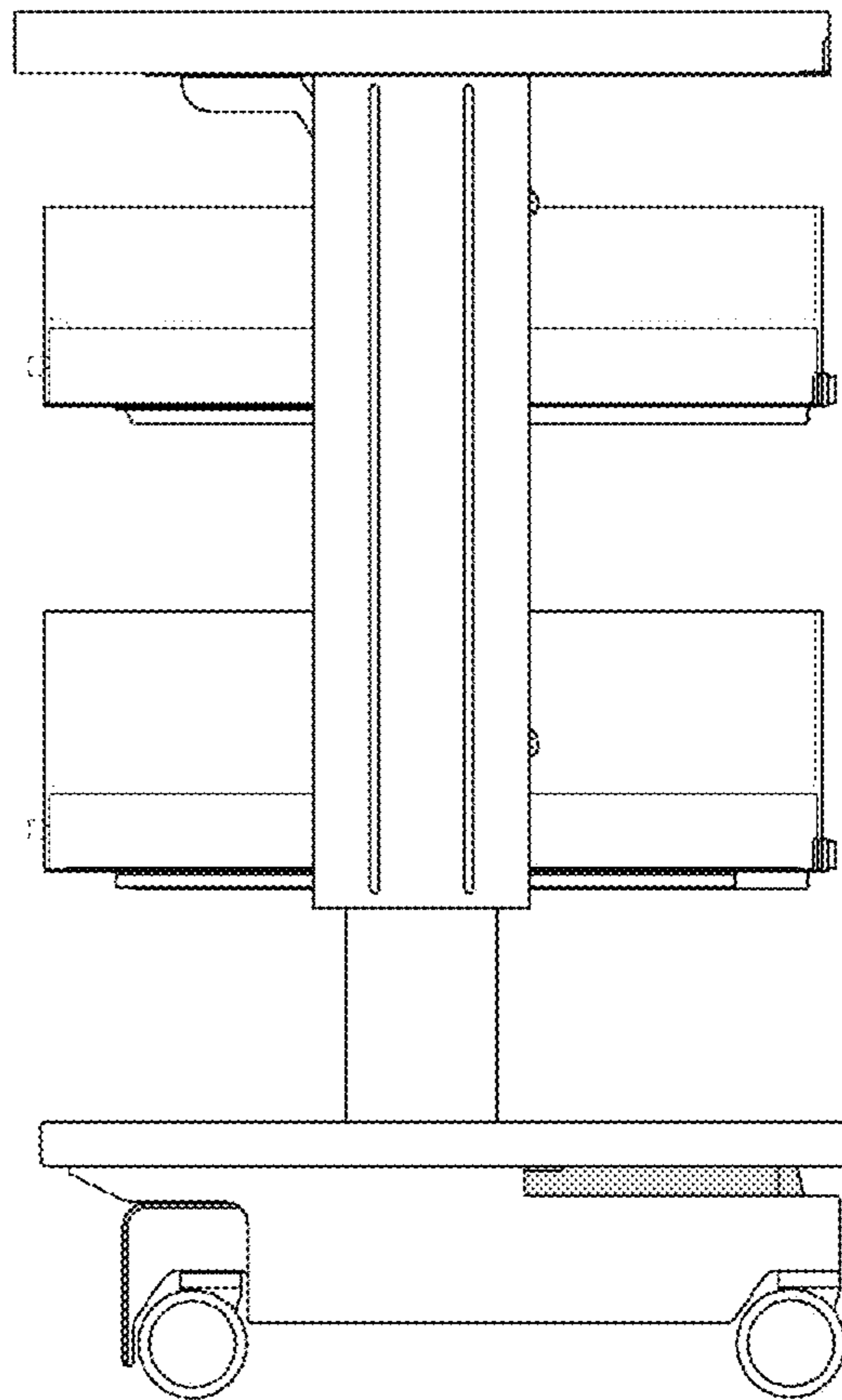
1.12



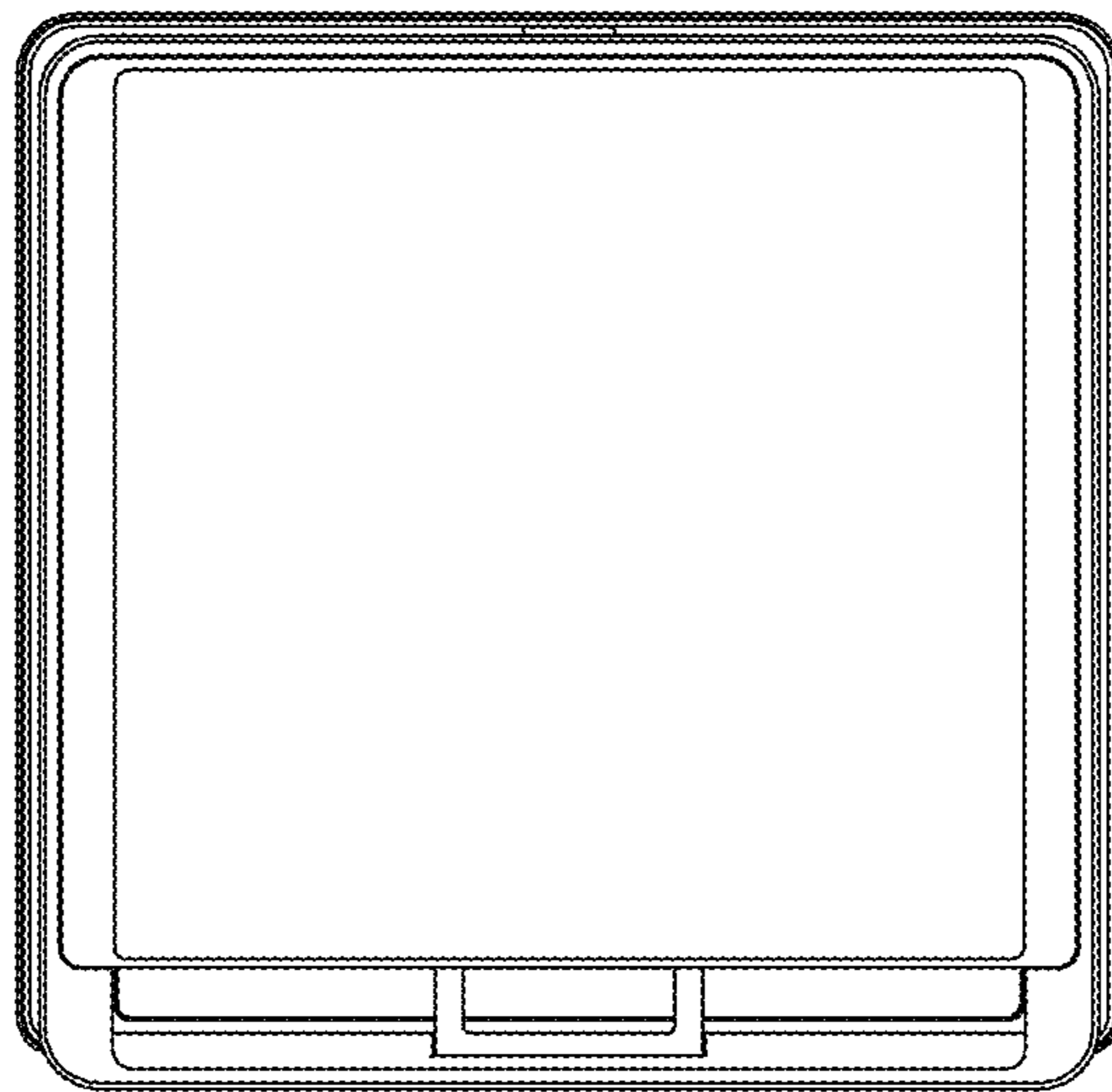
1.13



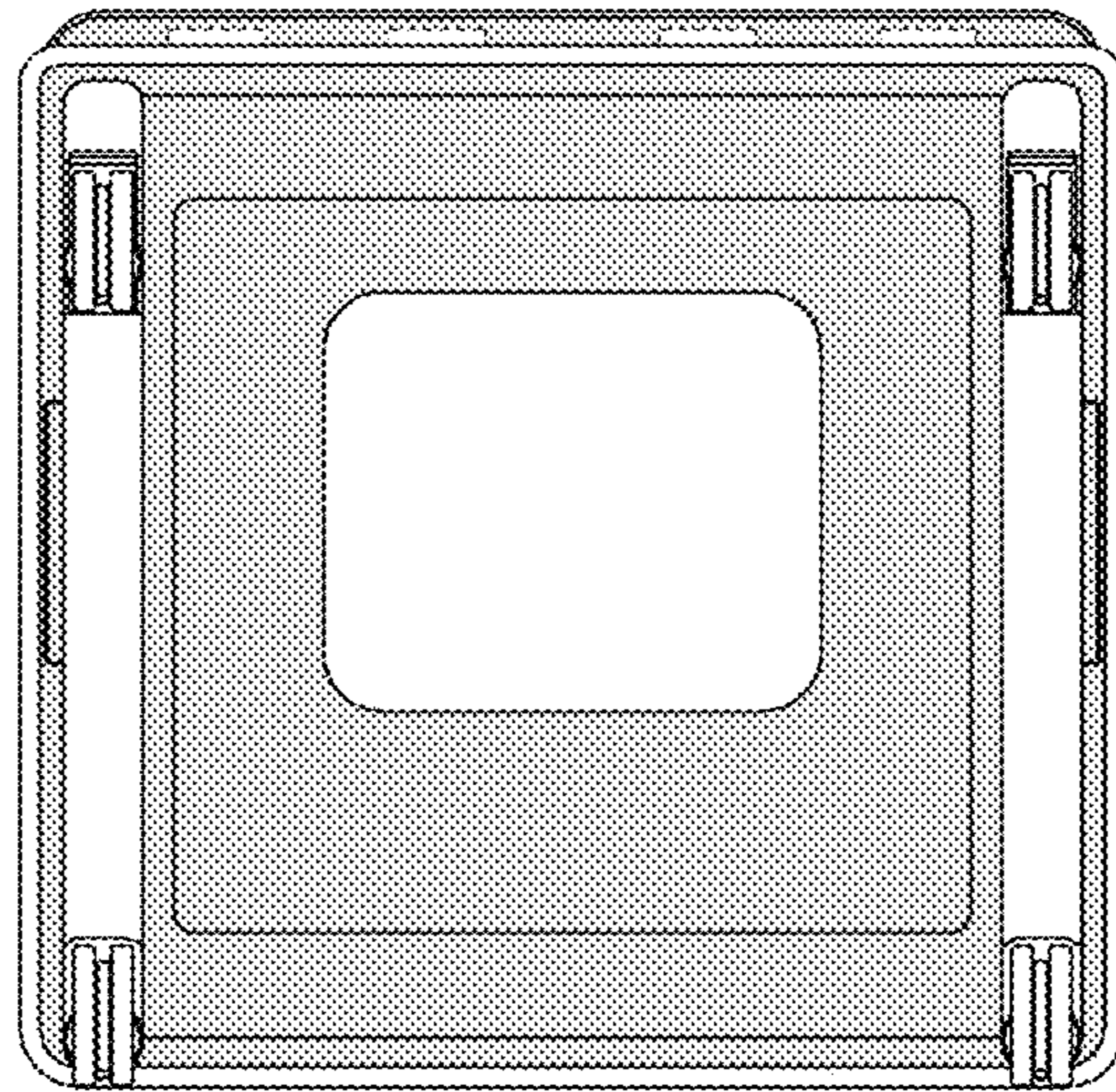
1.14



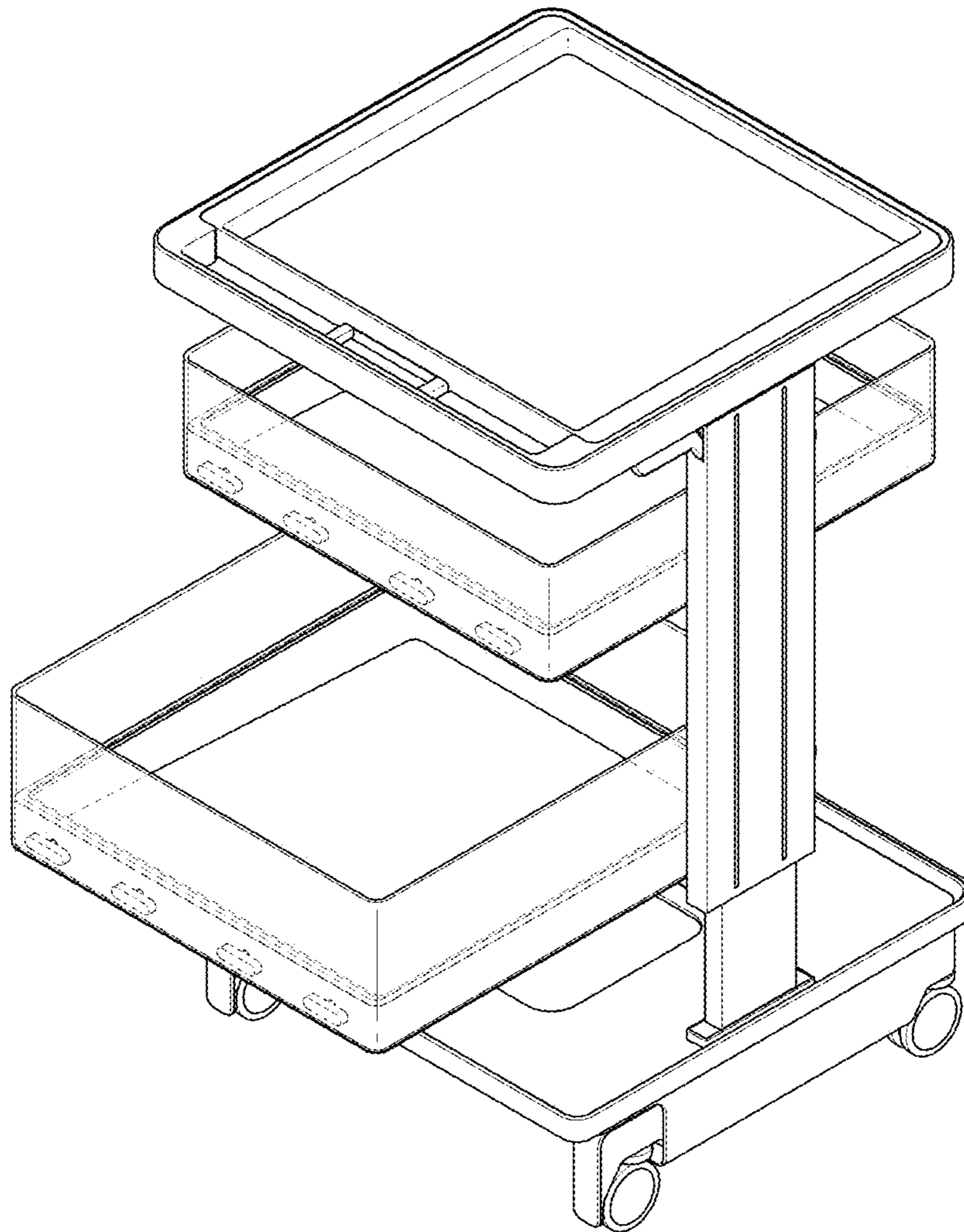
1.15



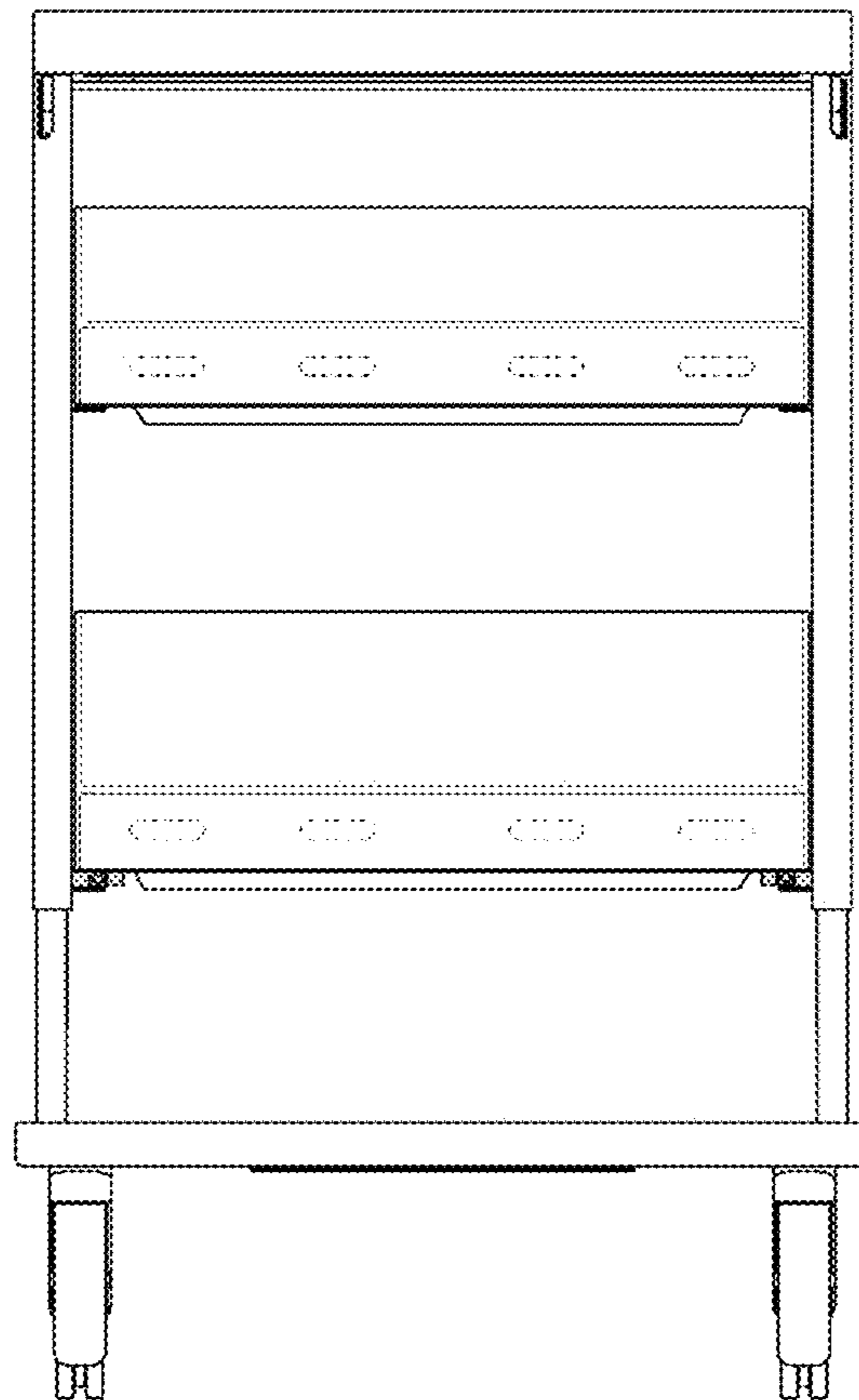
1.16



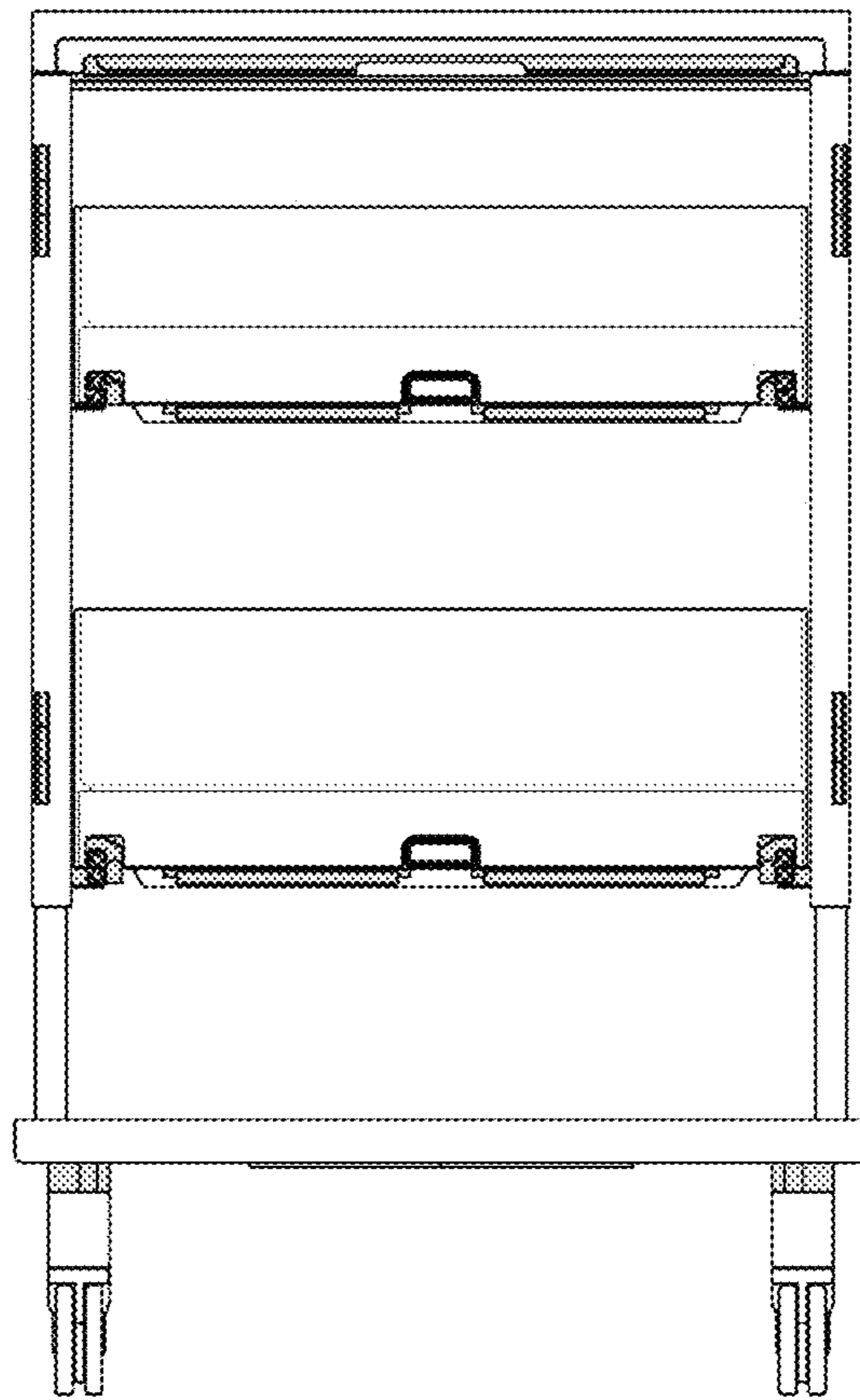
1.17



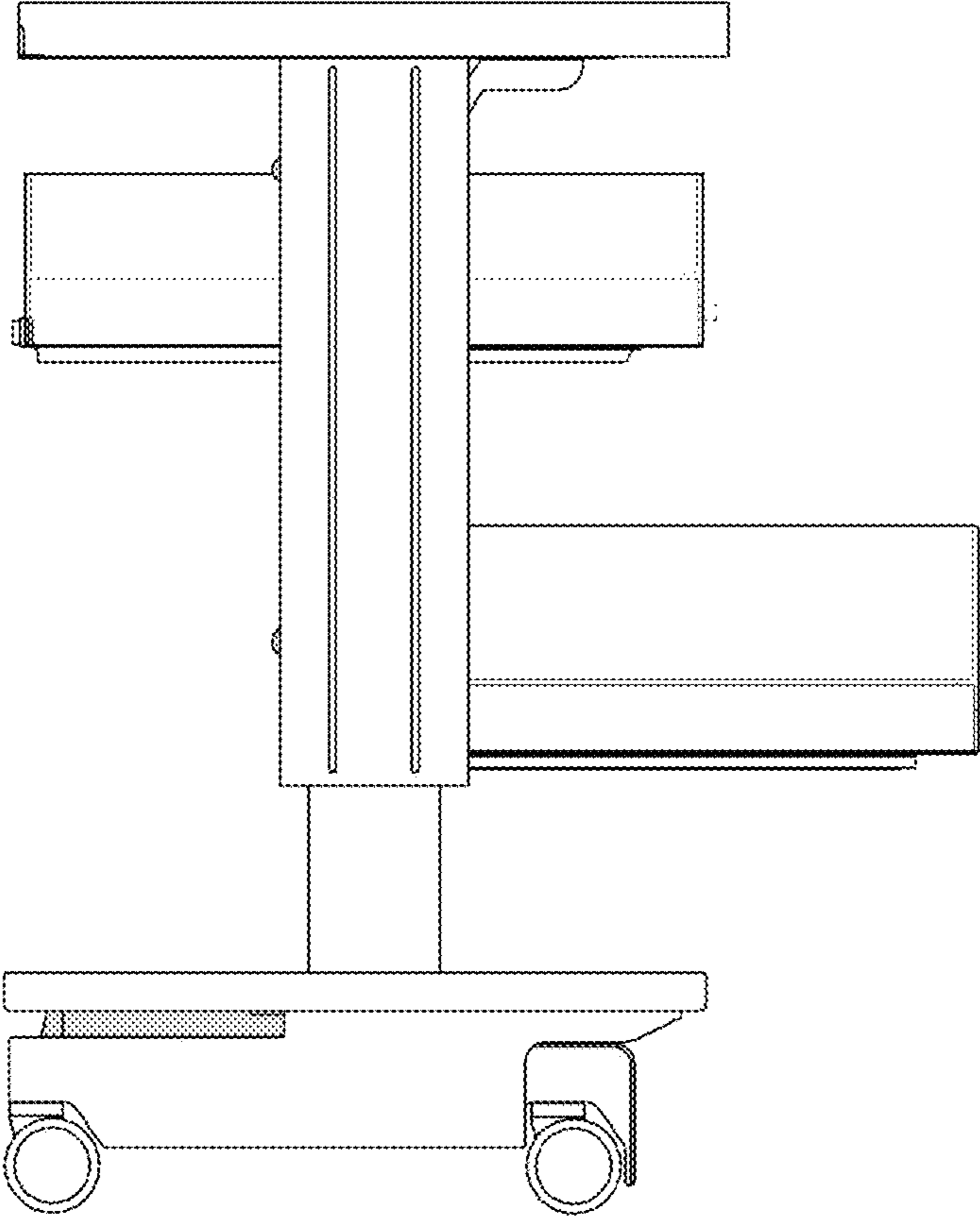
1.18



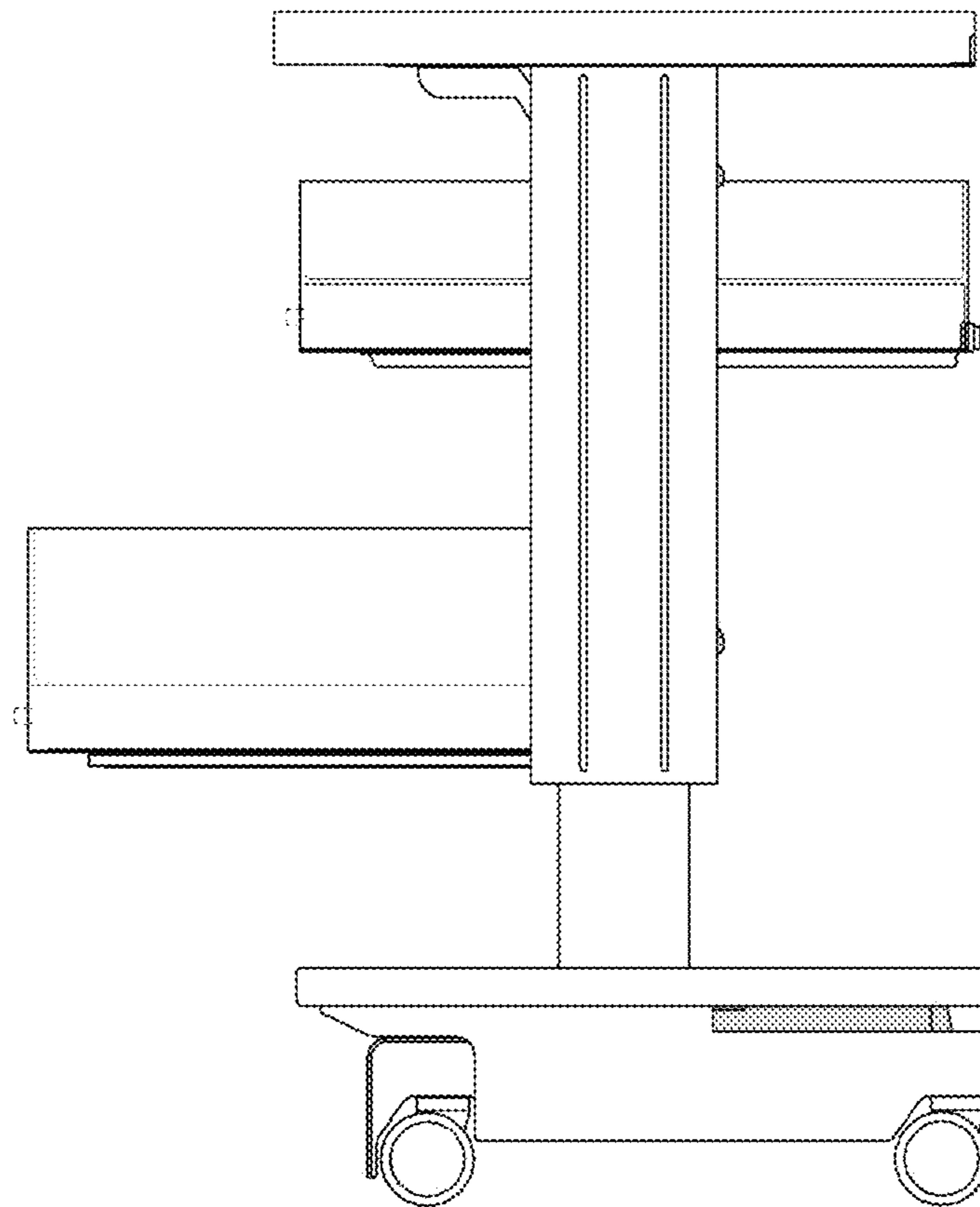
1.19



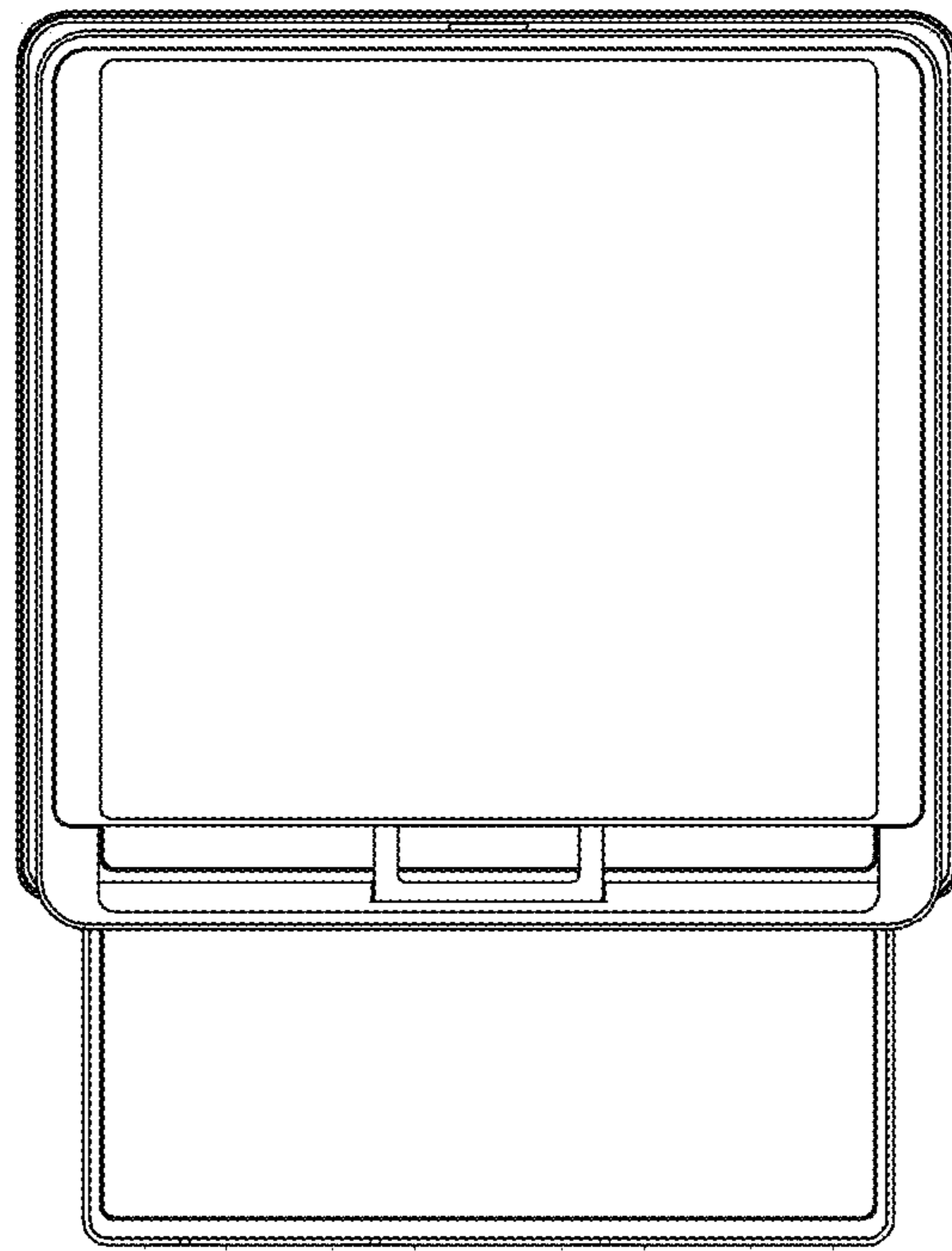
1.20



1.21



1.22



1.23

