



US00D939158S

(12) **United States Design Patent** (10) **Patent No.:** **US D939,158 S**
Disch et al. (45) **Date of Patent:** **** Dec. 21, 2021**

(54) **DISHWASHER**

(71) Applicant: **ILLINOIS TOOL WORKS INC.,**
Glenview, IL (US)

(72) Inventors: **Harald Disch**, Elzach (DE); **Dietrich Berner**, Waldstetten (DE); **Martin Schrempp**, Biberach (DE); **Adrian Boldt**, Offenburg (DE)

(73) Assignee: **ILLINOIS TOOL WORKS INC.,**
Glenview, IL (US)

(**) Term: **15 Years**

(21) Appl. No.: **29/770,202**

(22) Filed: **Feb. 10, 2021**

Related U.S. Application Data

(63) Continuation of application No. 29/677,681, filed on Jan. 23, 2019, now Pat. No. Des. 912,914.

(30) **Foreign Application Priority Data**

Jul. 26, 2018 (EM) 005515343

(51) **LOC (13) Cl.** **15-05**

(52) **U.S. Cl.**
USPC **D32/3**

(58) **Field of Classification Search**

USPC D32/1-2, 2-3, 5-6, 8-10, 15-17, 19, 25,
D32/28, 29.1, 33, 35-36, 53; D14/487,
D14/490

CPC .. A61L 2/10; A61C 19/00; A47J 27/00; F26B
11/02; E05B 65/0007; A47L 15/0084;
A47L 15/42; A47L 15/00; D06F 39/00;
D06F 34/28

See application file for complete search history.

(56) **References Cited**

U.S. PATENT DOCUMENTS

3,020,917 A 2/1962 Lyman
D194,503 S 2/1963 Moore

D195,992 S 8/1963 Nolte
D196,982 S 11/1963 Doman
D208,903 S 10/1967 Zedron
D212,039 S 8/1968 Appel
D231,484 S 4/1974 Peterson
D239,155 S 3/1976 Kent
D249,343 S 9/1978 Ronzani
D274,851 S 7/1984 Schmitz

(Continued)

FOREIGN PATENT DOCUMENTS

CN 305420546 11/2019
RU 00075809 * 8/2010

OTHER PUBLICATIONS

Bosch dishwasher panel, Sears website 2021, site visited Jun. 15, 2021, <https://www.searspartsdirect.com/product/56zdy6r9lp-0022-630/id-00770415>.*

(Continued)

Primary Examiner — John R Yeh

(74) *Attorney, Agent, or Firm* — Thompson Hine LLP

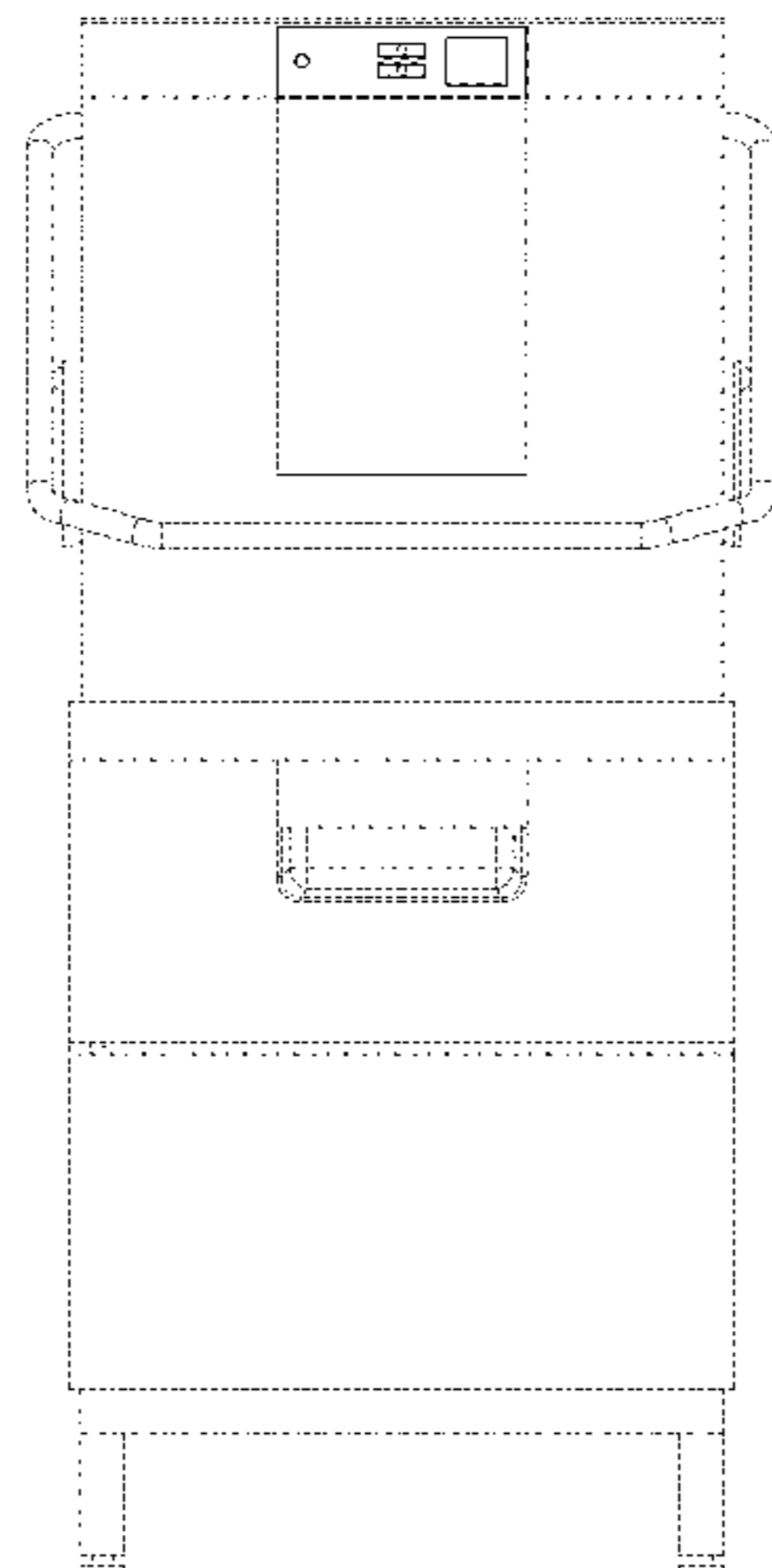
(57) **CLAIM**

The ornamental design for a dishwasher, as shown and described.

DESCRIPTION

FIG. 1 is a perspective of a dishwasher;
FIG. 2 is a front view of the dishwasher;
FIG. 3 is a left side view of the dishwasher;
FIG. 4 is a right side view of the dishwasher;
FIG. 5 is a rear view of the dishwasher;
FIG. 6 is a top view of the dishwasher; and,
FIG. 7 is a bottom view of the dishwasher.
The broken lines shown in the figures illustrate portions of the dishwasher that form no part of the claimed design.

1 Claim, 7 Drawing Sheets



(56)

References Cited

U.S. PATENT DOCUMENTS

D275,426 S 9/1984 Edge
 D276,472 S 11/1984 Harrison
 D293,269 S 12/1987 Prinzhorn
 D298,372 S 11/1988 Taylor, Jr.
 D316,428 S 4/1991 Merl
 D316,568 S 4/1991 Koch
 D320,489 S 10/1991 Marks
 D346,088 S 4/1994 Schroeder
 D350,739 S 9/1994 Chu
 5,366,185 A * 11/1994 Michael A47L 15/42
 248/27.1
 D384,052 S * 9/1997 Kodosky D14/490
 5,698,826 A * 12/1997 Cracraft H01H 13/70
 200/310
 D392,280 S 3/1998 Lin
 D394,526 S 5/1998 Strandell
 D438,352 S 2/2001 Jeong
 D441,149 S * 4/2001 Bournay, Jr. D32/3
 D454,882 S 3/2002 Jung
 D458,422 S 6/2002 Richardson
 D460,841 S 7/2002 Richardson
 D467,691 S 12/2002 Richardson
 D473,684 S * 4/2003 Wendt D32/3
 D482,827 S 11/2003 Storer
 D482,828 S 11/2003 Storer
 D492,456 S * 6/2004 Geyer D32/28
 D493,583 S 7/2004 Kaczmarek
 D494,730 S 8/2004 Magee
 D495,113 S * 8/2004 Lynch D6/705.5
 D501,963 S * 2/2005 Kaczmarek D32/3
 D555,846 S * 11/2007 Jung D32/3
 D573,762 S * 7/2008 Eicher D32/28
 D577,869 S * 9/2008 Tartan D32/2
 D589,562 S 3/2009 Holtslander
 D602,728 S 10/2009 Cesa

D635,312 S * 3/2011 Kaczmarek D32/3
 D676,866 S * 2/2013 Chaudhri D14/487
 D682,491 S * 5/2013 Kim D32/2
 D701,359 S * 3/2014 Eng D32/3
 D735,959 S 8/2015 Linton
 D740,501 S 10/2015 Taylor
 D741,034 S * 10/2015 Roberson D32/3
 D745,556 S * 12/2015 Jeon D14/490
 D747,414 S 1/2016 Chen
 D748,874 S * 2/2016 Roberson D32/3
 D750,661 S * 3/2016 Funnell, II D14/487
 D759,917 S * 6/2016 Choi D32/28
 D765,321 S * 8/2016 Fuller D32/3
 D773,134 S * 11/2016 Armstrong D32/28
 D775,770 S * 1/2017 Yoon D32/2
 D776,703 S * 1/2017 Shoemaker D14/487
 D792,444 S * 7/2017 Cho D14/488
 9,801,524 B2 * 10/2017 Kan A47L 15/4463
 D829,391 S * 9/2018 Roberson D32/3
 10,570,551 B2 * 2/2020 Leibman D06F 39/022
 D912,914 S * 3/2021 Disch D32/3
 D912,915 S * 3/2021 Maier D32/3
 2003/0030288 A1 * 2/2003 Miller E05B 63/248
 292/303
 2016/0324390 A1 * 11/2016 Toga A47L 15/0047
 2018/0070794 A1 * 3/2018 Berner A47L 15/0081

OTHER PUBLICATIONS

Hobart AMTL dishwasher, video date 2021, site visited Jun. 15, 2021, <https://www.hobartcorp.com/products/commercial-dishwashers/door-type/amtl-two-level-door-type-dishwasher>.
 Site visited Nov. 3, 2020, CMA Dishmachines EST-AH Door Type, website 2020, <https://www.webstaurantstore.com/cma-dishmachines-est-ah-door-type-single-rack-low-temperature-straight-dishwasher-115y/250ESTAHX.html?utm>.

* cited by examiner

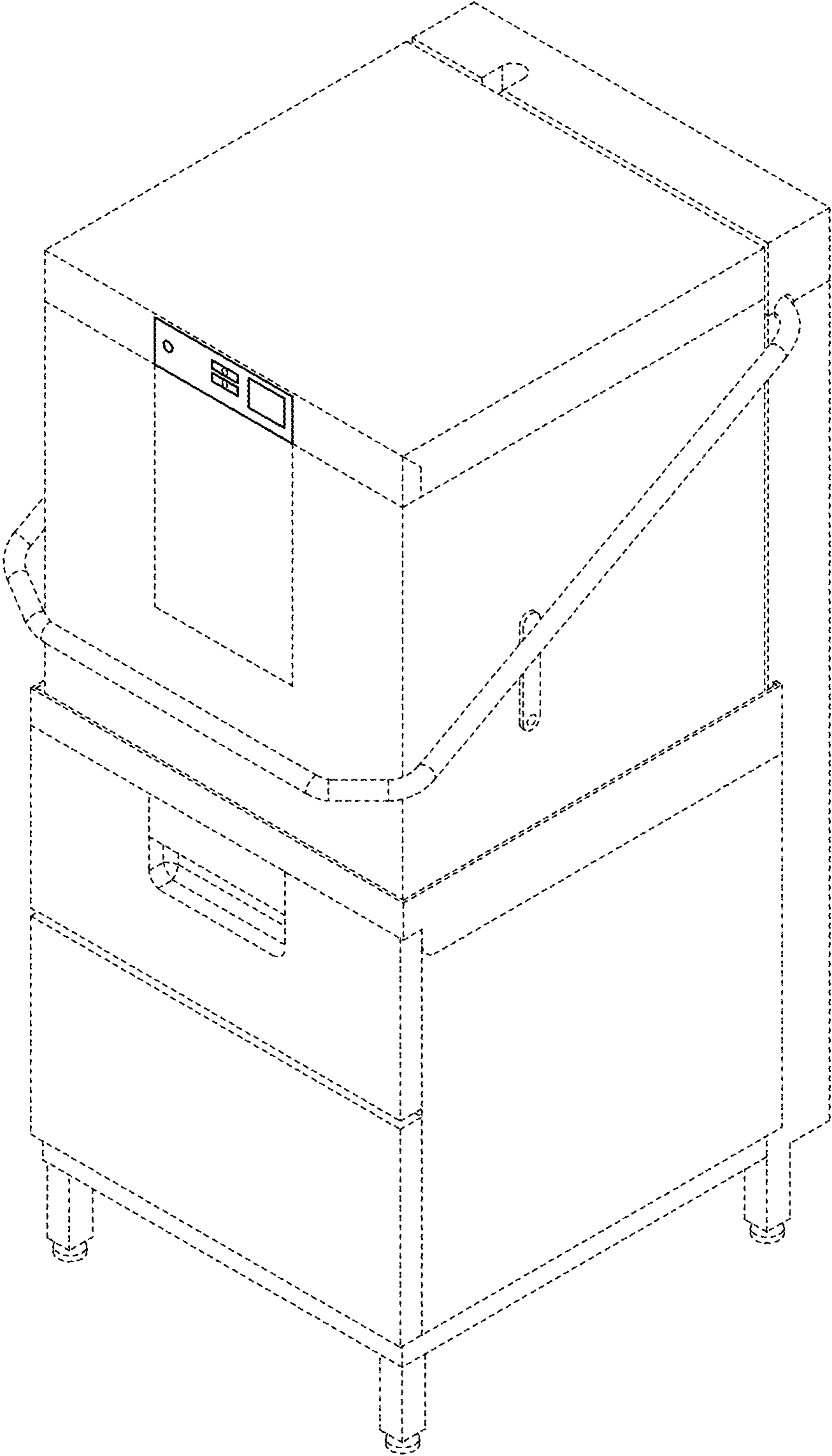


FIG. 1

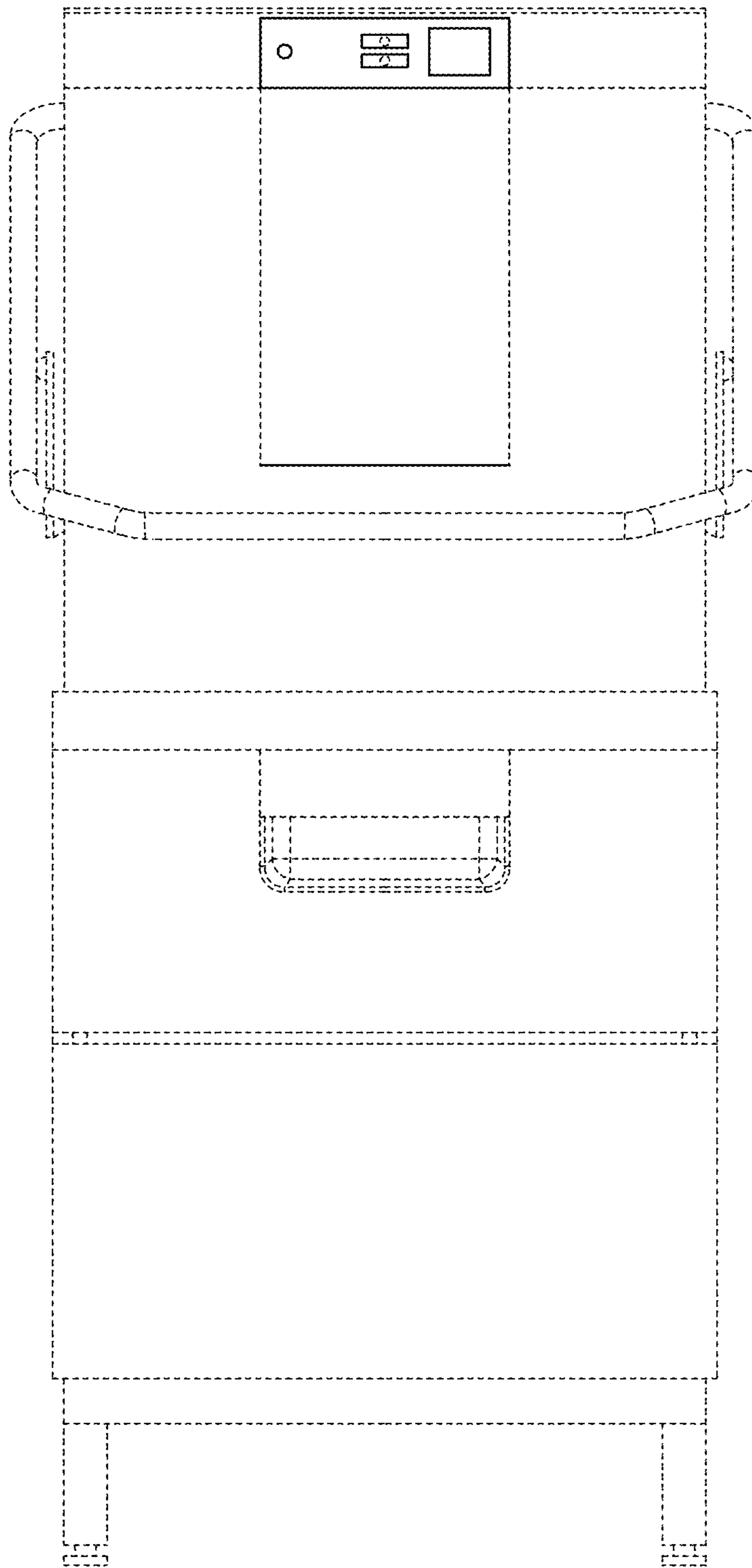


FIG. 2

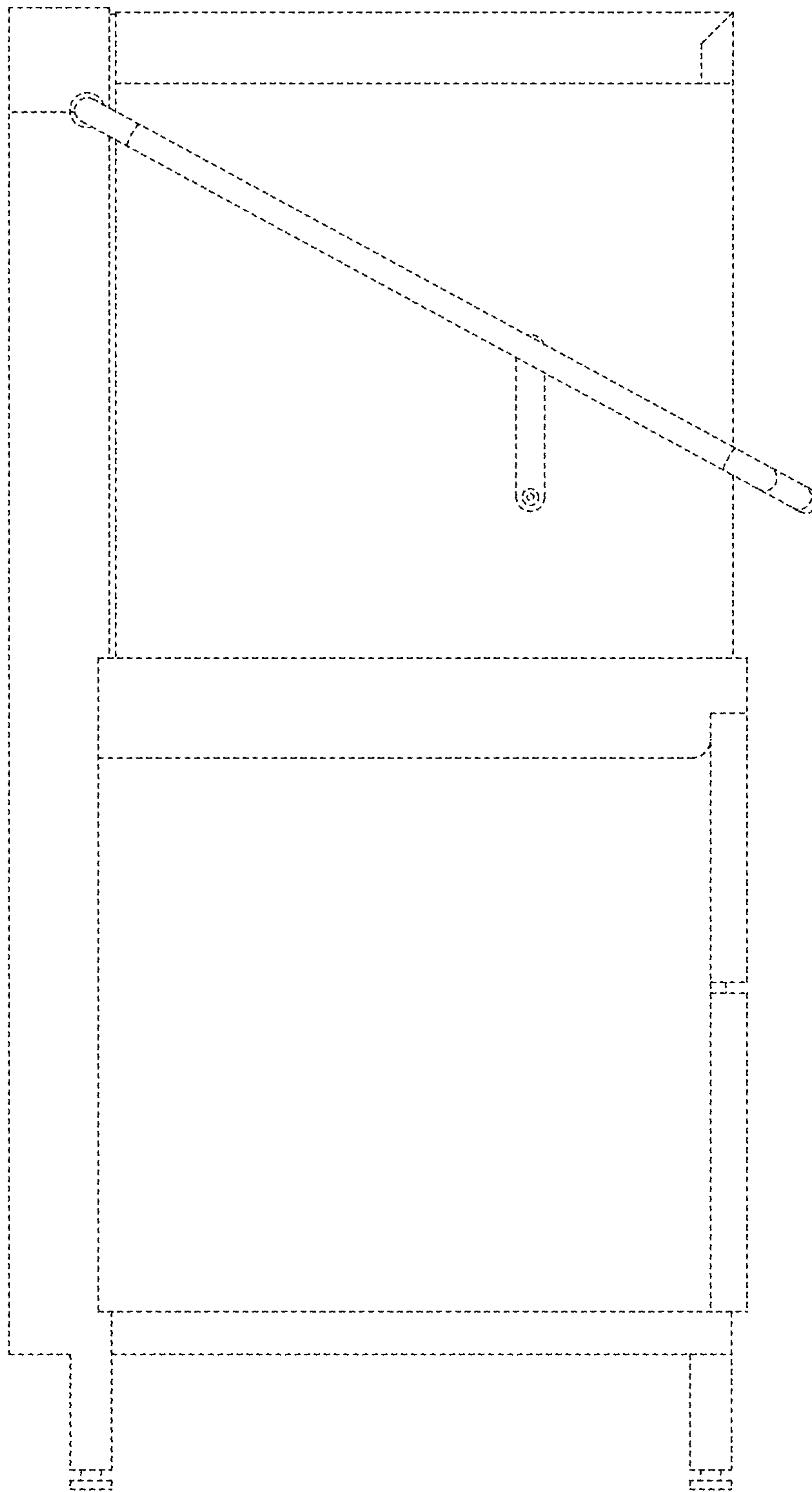


FIG. 3

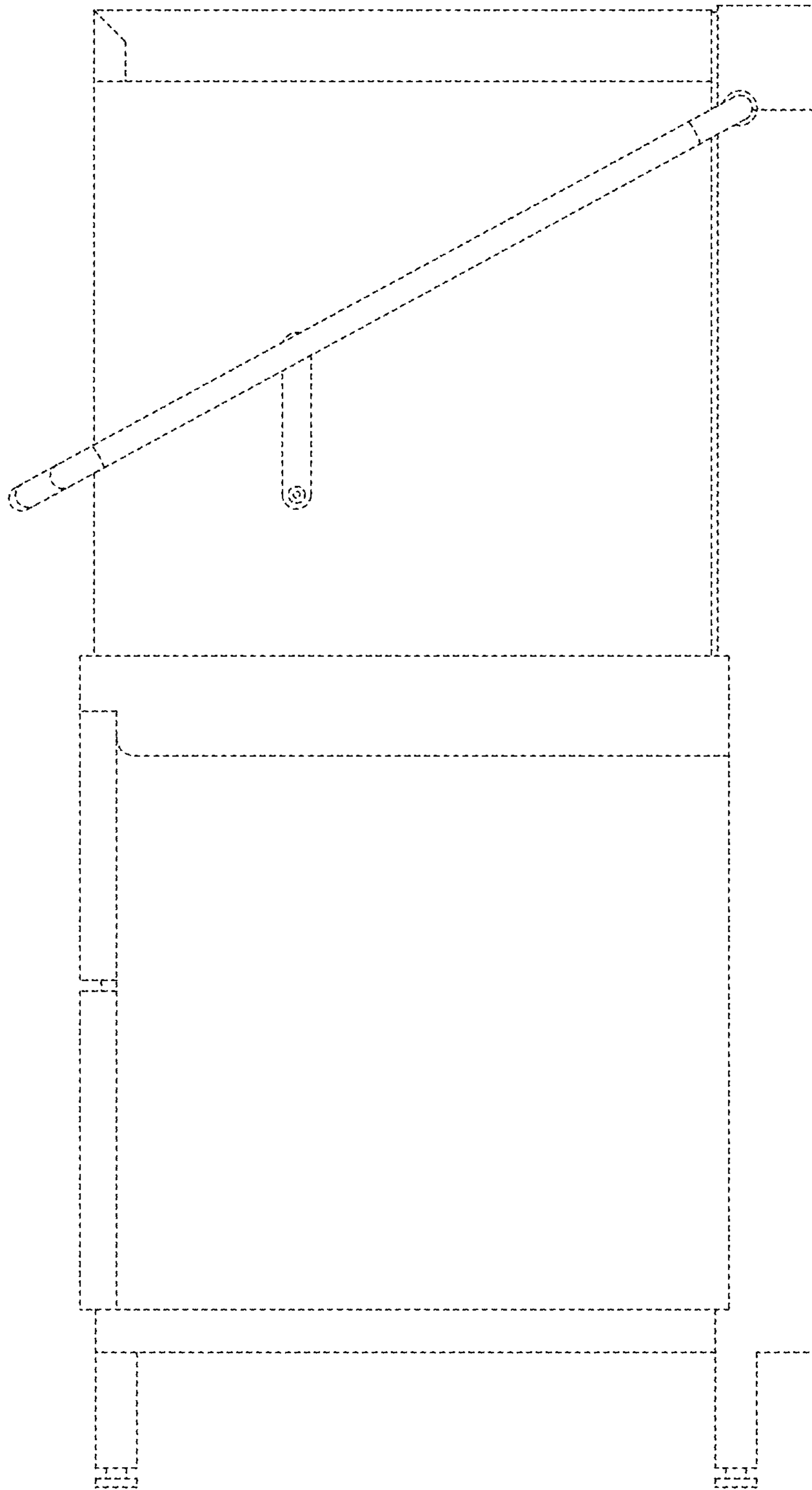


FIG. 4

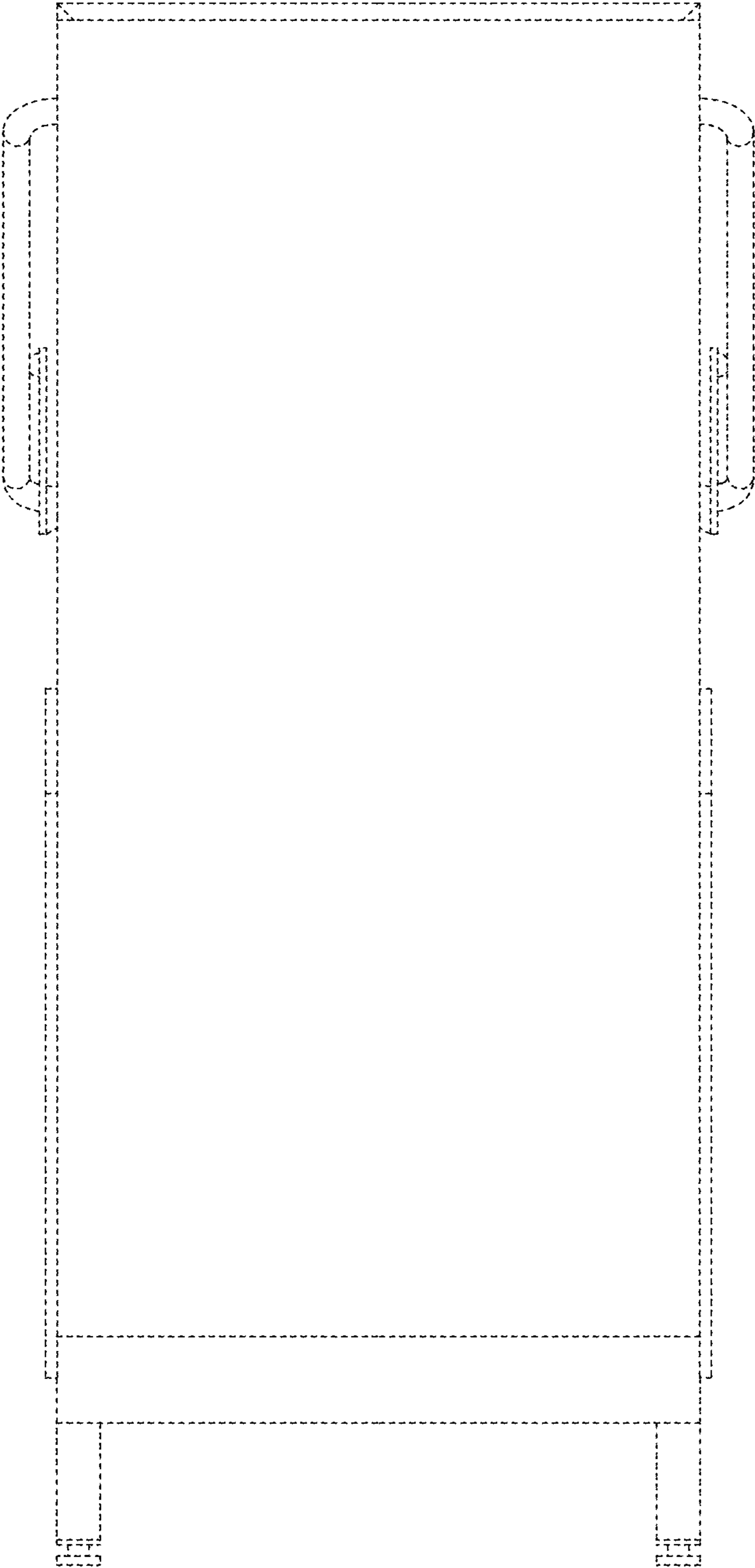


FIG. 5

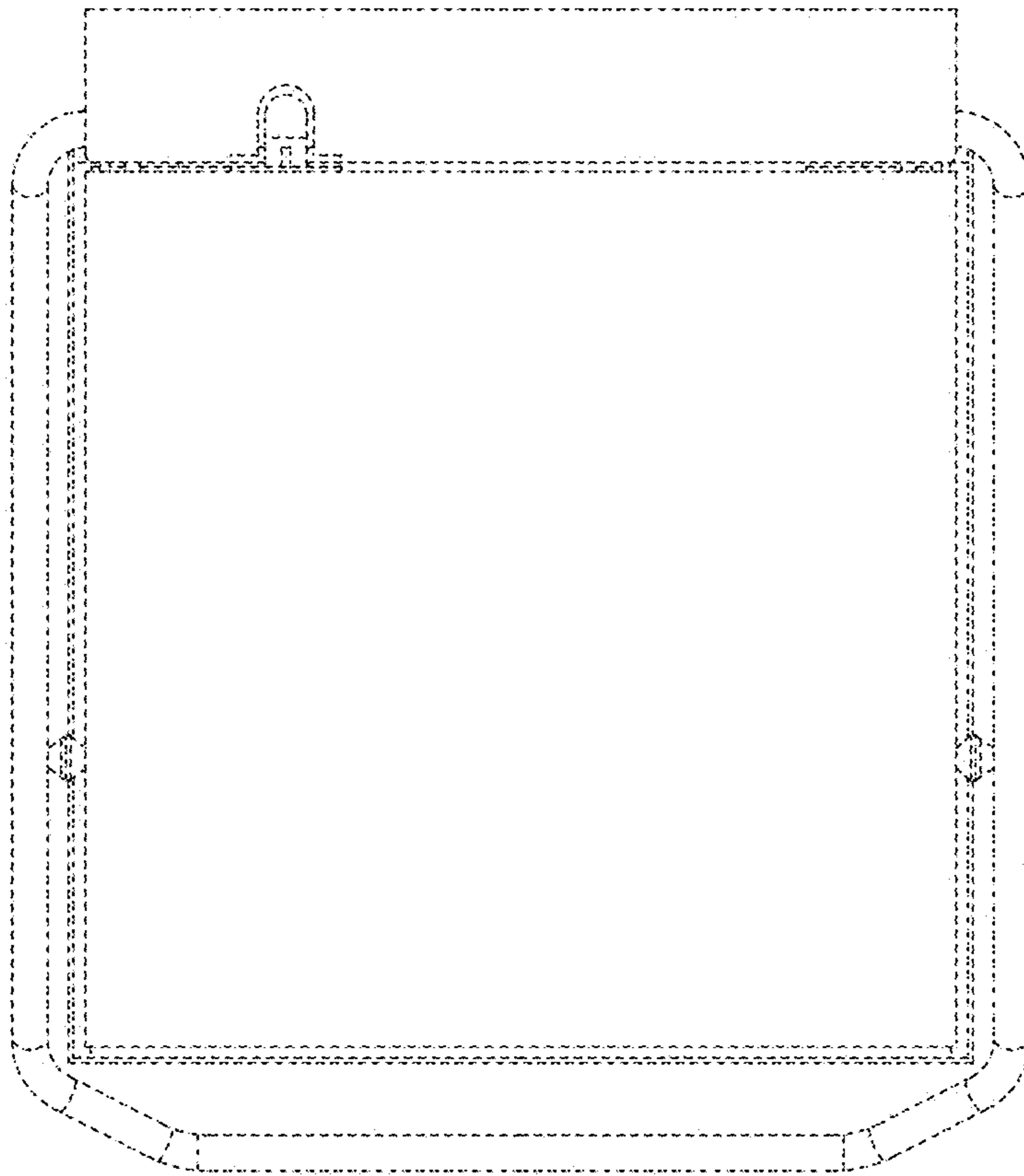


FIG. 6

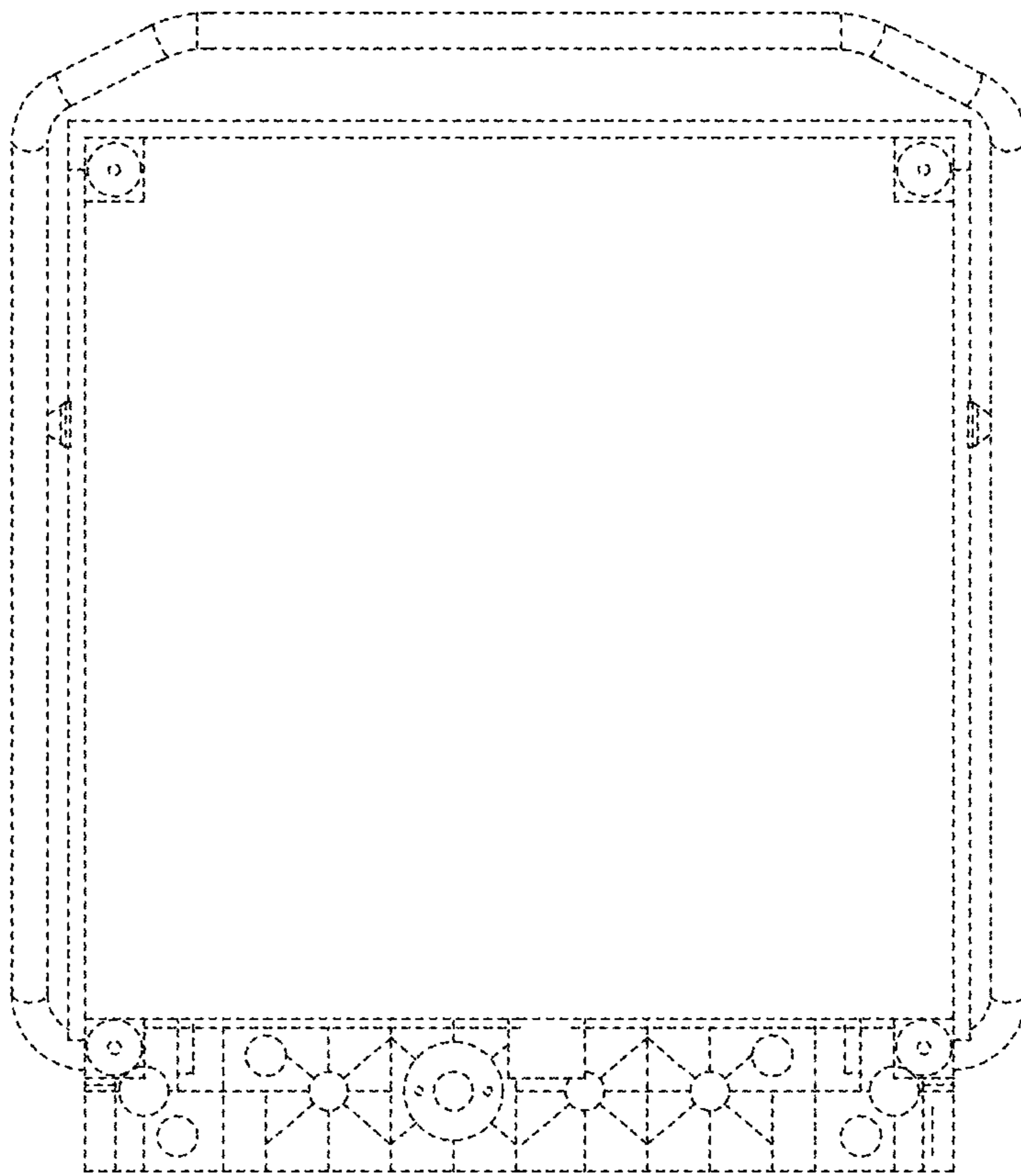


FIG. 7