



US00D939157S

(12) **United States Design Patent** (10) **Patent No.:** **US D939,157 S**  
**Kendall et al.** (45) **Date of Patent:** **\*\* Dec. 21, 2021**

(54) **TOP CAP COMBINED WITH FRONT CONTROL FOR A DOOR PANEL OF A DISH TREATING APPLIANCE**

D734,902 S \* 7/2015 Eng ..... D32/3  
D741,031 S \* 10/2015 Roberson ..... D32/3  
D741,032 S \* 10/2015 Roberson ..... D32/3  
D743,119 S \* 11/2015 Roberson ..... D32/3

(Continued)

(71) Applicant: **WHIRLPOOL CORPORATION**,  
Benton Harbor, MI (US)

**FOREIGN PATENT DOCUMENTS**

(72) Inventors: **James W. Kendall**, Mount Prospect, IL (US); **Darryl C. Bodine**, Saint Joseph, MI (US); **Jonathan D. Pugh**, Benton Harbor, MI (US)

EP 2514350 A1 10/2012  
WO 2014101930 A1 7/2014

**OTHER PUBLICATIONS**

(73) Assignee: **Whirlpool Corporation**, Benton Harbor, MI (US)

LG owner manual <https://lgusermanualguidepdf.blogspot.com/2017/01/lg-ld-2040wh-service-manual.html> (Year: 2020).\*

(Continued)

(\*\*) Term: **15 Years**

*Primary Examiner* — Michelle E. Wilson

(21) Appl. No.: **29/657,013**

*Assistant Examiner* — Richard E Yenchesky

(22) Filed: **Jul. 18, 2018**

(74) *Attorney, Agent, or Firm* — McGarry Bair PC

(51) **LOC (13) Cl.** ..... **15-05**

(52) **U.S. Cl.**  
USPC ..... **D32/3**

(58) **Field of Classification Search**  
USPC ..... D32/1, 2, 3, 54; D7/405  
CPC ..... A47L 15/4257; A47L 15/4293  
See application file for complete search history.

(57) **CLAIM**

The ornamental design for a top cap combined with front control for a door panel of a dish treating appliance, as shown and described.

**DESCRIPTION**

(56) **References Cited**

**U.S. PATENT DOCUMENTS**

D617,510 S \* 6/2010 Kaczmarek ..... D32/3  
D629,574 S \* 12/2010 Kaczmarek ..... D32/3  
D629,979 S \* 12/2010 Kaczmarek ..... D32/3  
D630,804 S \* 1/2011 Ott ..... D32/3  
D667,596 S 9/2012 Berberet  
D684,735 S \* 6/2013 Eng ..... D32/3  
D696,476 S \* 12/2013 Eng ..... D32/3  
D701,359 S \* 3/2014 Eng ..... D32/3  
8,740,320 B2 6/2014 Eng  
9,005,371 B2 4/2015 Egger et al.  
D730,592 S \* 5/2015 Roberson ..... D32/3  
D733,370 S \* 6/2015 Roberson ..... D32/3

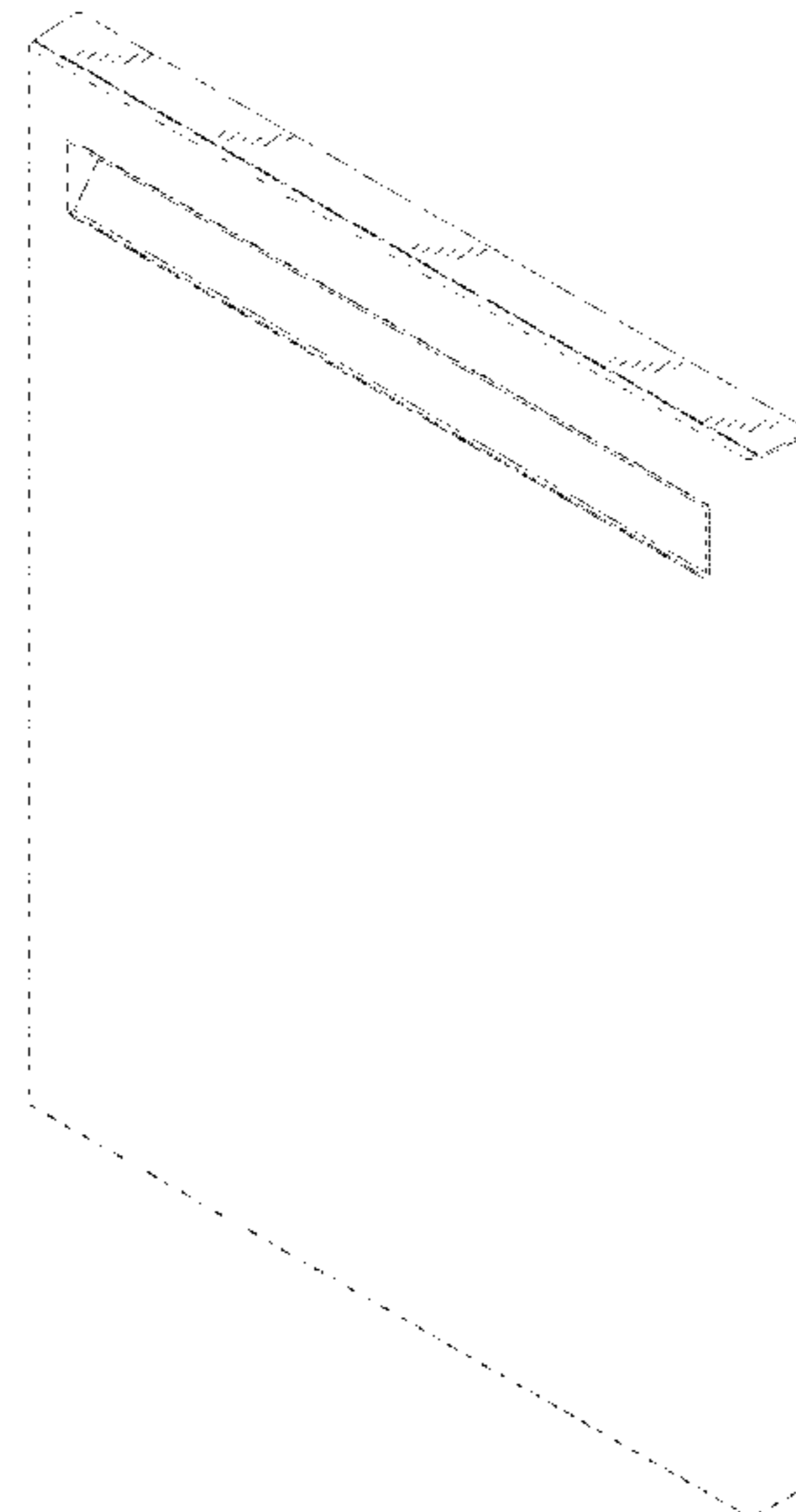
FIG. 1 is a top perspective view of a top cap combined with front control for a door panel of a dish treating appliance showing our new design according to a first embodiment; FIG. 2 is a front view of the top cap combined with front control of FIG. 1;

FIG. 3 is a right side view of the top cap combined with the front control of FIG. 1, with the left view being a mirror image; and,

FIG. 4 is a top view of top cap combined with the front control of FIG. 1.

The broken lines in the figures illustrate the portions of the design that form no part of the claimed design.

**1 Claim, 4 Drawing Sheets**



(56)

References Cited

U.S. PATENT DOCUMENTS

D743,120 S \* 11/2015 Roberson ..... D32/3  
D743,121 S \* 11/2015 Roberson ..... D32/3  
D744,176 S \* 11/2015 Roberson ..... D32/3  
D745,751 S \* 12/2015 Roberson ..... D32/3  
D745,755 S \* 12/2015 Roberson ..... D32/3  
D753,887 S \* 4/2016 Roberson ..... D32/3  
D756,046 S \* 5/2016 Roberson ..... D32/3  
D763,523 S \* 8/2016 Roberson ..... D32/3  
D765,924 S \* 9/2016 Roberson ..... D32/3  
D767,832 S \* 9/2016 Roberson ..... D32/3  
D778,007 S \* 1/2017 Roberson ..... D32/3  
D778,008 S \* 1/2017 Roberson ..... D32/3  
D803,491 S \* 11/2017 Kahwaji ..... D32/3  
D821,666 S \* 6/2018 Bouchonnet ..... D32/2  
D827,952 S \* 9/2018 Kim ..... D32/3  
D839,501 S \* 1/2019 Bouchonnet ..... D32/2  
D887,653 S \* 6/2020 Kendall ..... D32/2  
2007/0159454 A1 7/2007 Rodriguez et al.

2010/0141104 A1\* 6/2010 Beaudet ..... A47L 15/4293  
312/228  
2013/0113351 A1\* 5/2013 Eng ..... A47L 15/4257  
312/228.1  
2013/0300268 A1 11/2013 Schaefer et al.

OTHER PUBLICATIONS

Top Control Dishwasher <https://www.rcwilley.com/Appliances/Stainless-Steel/MDB8959SKZ/111883962/Maytag-24-Inch-Top-Control-Dishwasher—Stainless-Steel-View?bvstate=pg:7/ct:r> (Year: 2021).  
\* <http://www.bosch-home.com/us/SHP7PT55UC.html>, Bosch Pocket Handle Dishwasher #SHP7PT55UC, accessed Aug. 31, 2017.  
<http://www.samsung.com/us/home-appliances/dishwashers/waterwall/dw80j7550ug-top-control-dishwasher-with-waterwall-technology-black-stainless-steel-dw80j7550ug-aa/>, Samsung Top Control Dishwasher Model #DW80J7550UG, accessed Aug. 31, 2017.

\* cited by examiner

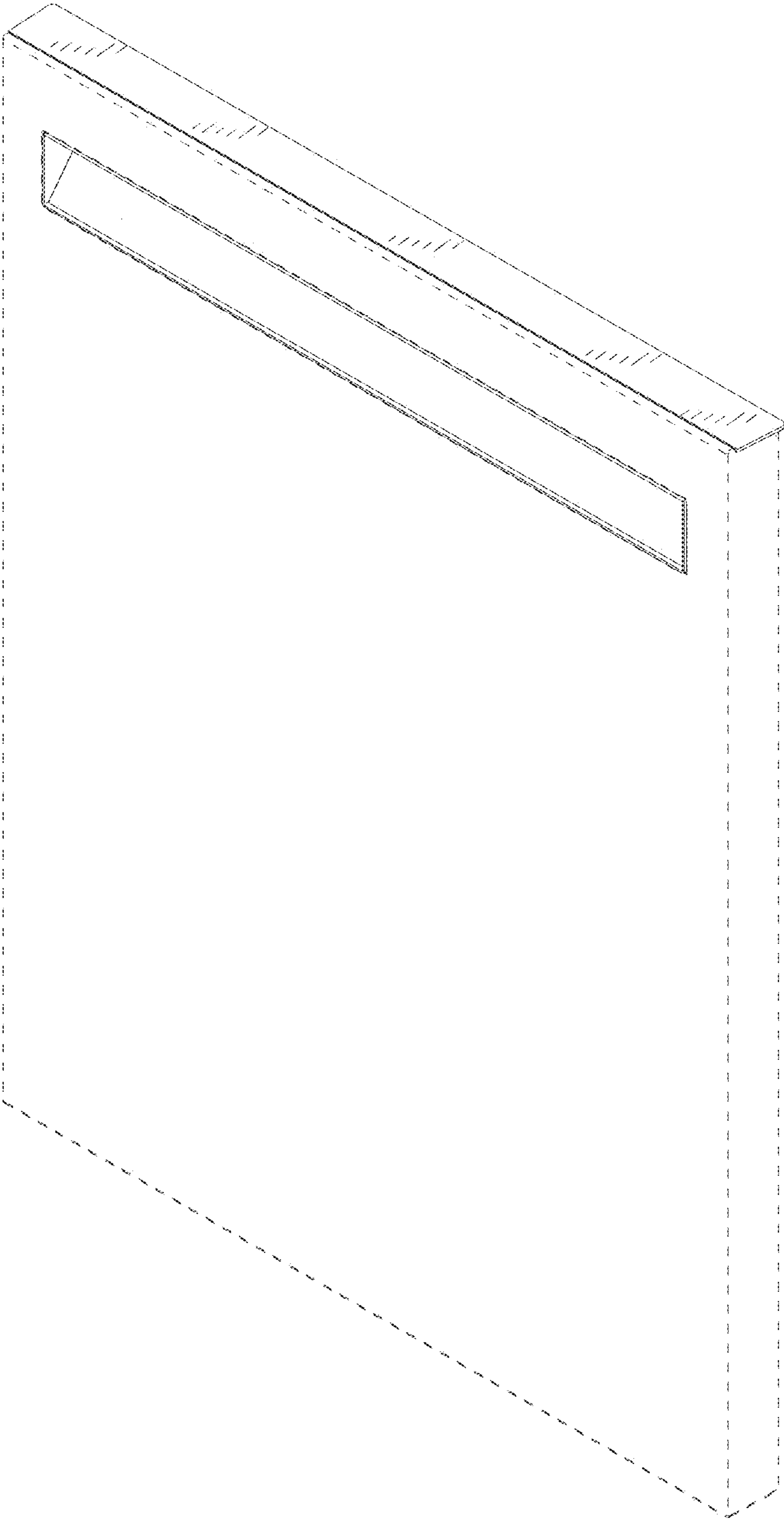
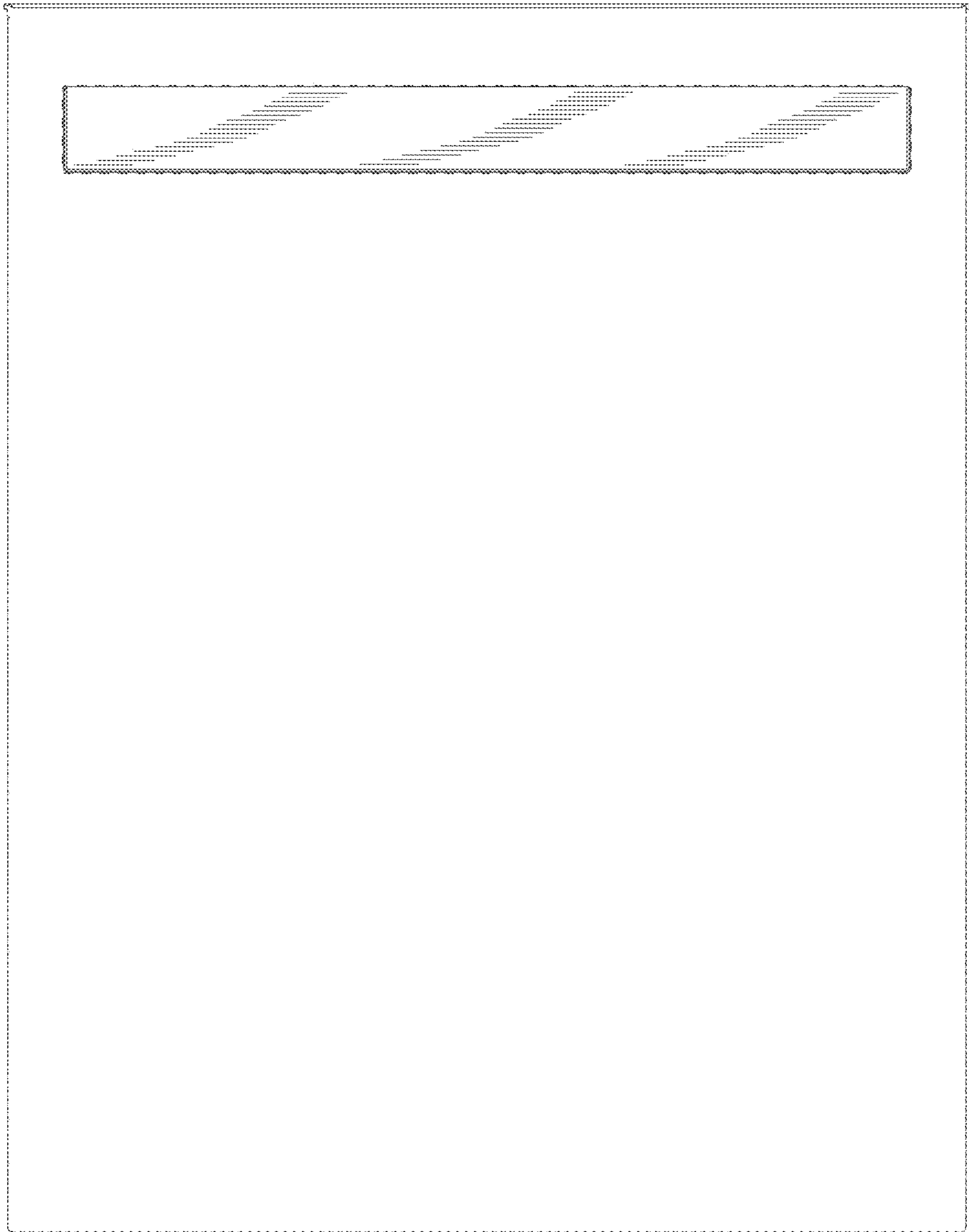


FIG. 1



**FIG. 2**



**FIG. 3**



**FIG. 4**