



US00D939156S

(12) **United States Design Patent** (10) **Patent No.:** **US D939,156 S**
Callahan et al. (45) **Date of Patent:** **** Dec. 21, 2021**

(54) **COUNTERTOP DISHWASHER**

FOREIGN PATENT DOCUMENTS

(71) Applicant: **Heatworks Technologies, Inc.**,
Sullivan's Island, SC (US)

CN 3173335 1/2001
KR 300423970 9/2006
RU 00117732 11/2019

(72) Inventors: **Jeremiah M. Callahan**, Sullivan's
Island, SC (US); **Adam C. Wrigley**,
Brooklyn, NY (US); **Christopher B.**
Crowley, Long Island City, NY (US);
Alexander C. Calkins, Portland, OR
(US); **Inna Lobel**, New York, NY (US);
Jung Soo Park, Brooklyn, NY (US);
Reid A. Schlegel, Brooklyn, NY (US)

OTHER PUBLICATIONS

Tetra Countertop Dishwasher, Dudewanthat website post date Jan.
15, 2018, [http://www.dudeiwantthat.com/household/kitchen/tetra-](http://www.dudeiwantthat.com/household/kitchen/tetra-countertop-dishwasher-no-plumbin...)
[countertop-dishwasher-no-plumbin . . .](http://www.dudeiwantthat.com/household/kitchen/tetra-countertop-dishwasher-no-plumbin...) site visited Mar. 25, 2021.*

(Continued)

(73) Assignee: **Heatworks Technologies, Inc.**,
Sullivan's Island, SC (US)

Primary Examiner — John R Yeh
(74) *Attorney, Agent, or Firm* — Lerner, David,
Littenberg, Krumholz & Mentlik, LLP

(**) Term: **15 Years**

(57) **CLAIM**

(21) Appl. No.: **29/760,839**

The ornamental design for a countertop dishwasher, as
shown and described.

(22) Filed: **Dec. 4, 2020**

DESCRIPTION

Related U.S. Application Data

(60) Division of application No. 29/675,676, filed on Jan.
4, 2019, now Pat. No. Des. 904,703, which is a
(Continued)

(51) **LOC (13) Cl.** **15-05**

(52) **U.S. Cl.**
USPC **D32/2**

(58) **Field of Classification Search**
USPC D32/1-2, 5-6, 8, 10, 15-17, 28, 35-36,
D32/53; D7/354, 357
(Continued)

FIG. 1 is a front perspective view of a countertop dishwasher
according to my design, wherein the countertop dishwasher
is in an open position;
FIG. 2 is a front elevation view thereof;
FIG. 3 is a rear elevation view thereof;
FIG. 4 is a right side elevation view thereof;
FIG. 5 is a left side elevation view thereof;
FIG. 6 is a top plan view thereof;
FIG. 7 is a bottom plan view thereof;
FIG. 8 is a bottom perspective view thereof; and,
FIG. 9 is a front perspective view showing an example use
thereof.

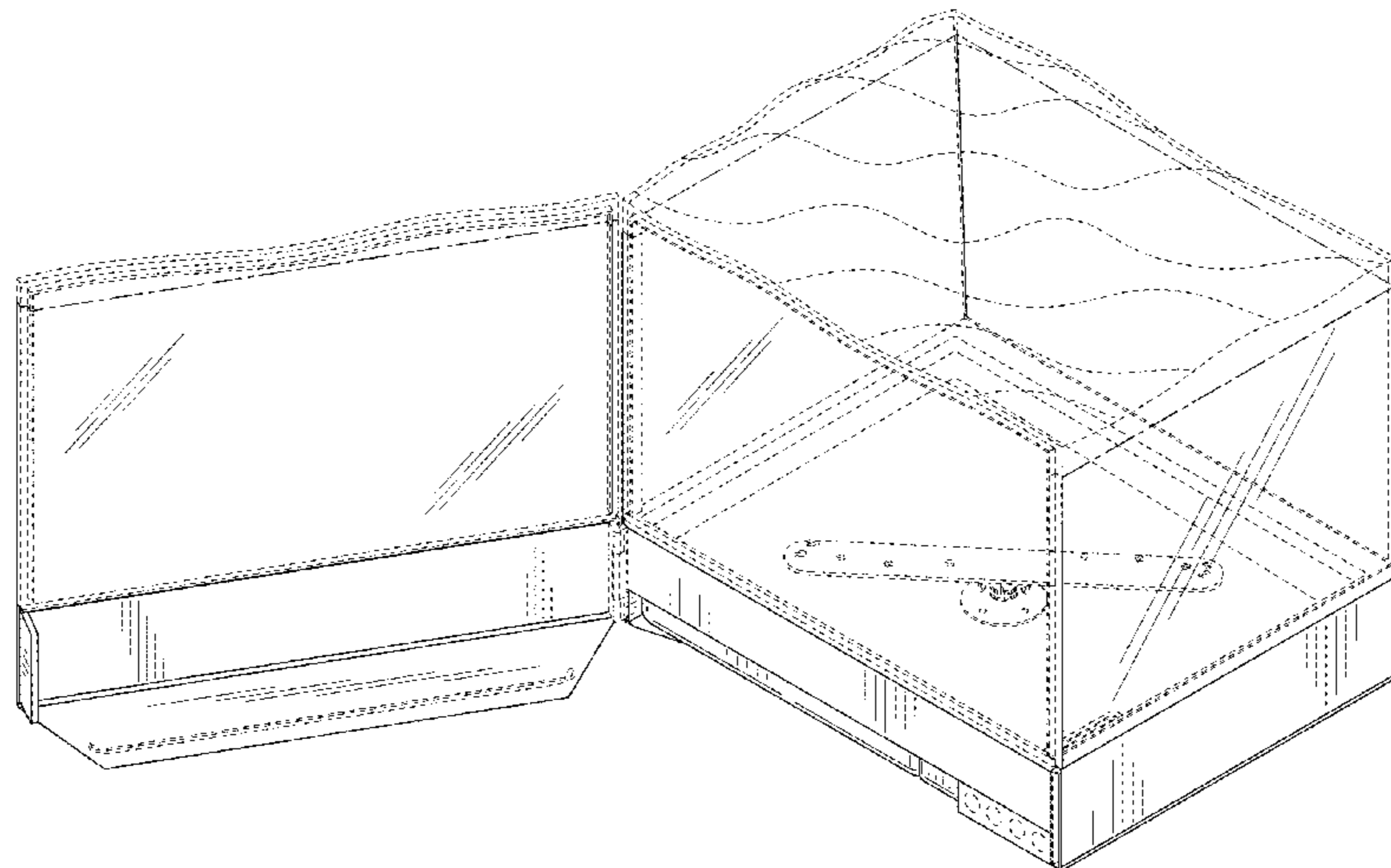
The broken lines shown in the drawings illustrate portions of
the countertop dishwasher that form no part of the claimed
design or environmental structure that forms no part of the
claimed design. The diagonal lines and curved lines on the
surfaces of the countertop dishwasher represent a transpar-
ent surface. The wavy broken lines on the top surface of the
countertop dishwasher in FIGS. 1-9 are intended to repre-

(Continued)

(56) **References Cited**

U.S. PATENT DOCUMENTS

3,460,878 A 8/1969 Appel
3,465,761 A 9/1969 Grunewald
(Continued)



sent the disclaimed surface contours of the top surface and form no part of the claimed design.

1 Claim, 9 Drawing Sheets

Related U.S. Application Data

continuation-in-part of application No. 29/655,735, filed on Jul. 6, 2018.

(58) **Field of Classification Search**

CPC .. A61L 2/10; A61C 19/00; A47J 27/00; F26B 11/02; E05B 65/0007; A47L 15/0084; D06F 39/00; D06F 34/28; F27D 11/00
See application file for complete search history.

(56) **References Cited**

U.S. PATENT DOCUMENTS

D310,616 S 9/1990 Murai et al.
D360,103 S 7/1995 Kim
5,518,014 A 5/1996 McEachen
D381,862 S * 8/1997 Noda D7/351
D403,471 S 12/1998 Brace
D413,482 S * 9/1999 Sugimoto D7/351
D424,257 S * 5/2000 Umeda D32/2
D431,957 S 10/2000 Taira
D443,873 S 6/2001 Comisky et al.
D452,965 S 1/2002 Comisky et al.
D453,152 S 1/2002 Comisky et al.
D453,925 S 2/2002 Comisky et al.
D453,927 S 2/2002 Comisky et al.
D456,571 S * 4/2002 Richardson D32/2
D457,694 S * 5/2002 Richardson D32/2
D460,659 S 7/2002 Hessen et al.
D463,408 S 9/2002 Comisky et al.
D467,394 S * 12/2002 Schumaier D32/1
D485,117 S * 1/2004 Bengtson D7/351
D554,305 S 10/2007 Pietruska
D560,422 S 1/2008 Kim
D569,677 S * 5/2008 Poon D7/357
D577,246 S * 9/2008 Kikumoto D7/351
D587,864 S 3/2009 Jung et al.
D620,211 S 7/2010 Shail
D629,168 S 12/2010 Park et al.
D633,670 S 3/2011 Grutzke et al.
D639,105 S 6/2011 Shin
D701,658 S * 3/2014 Chung D32/6
D703,395 S 4/2014 Choi et al.
D704,909 S 5/2014 Jeon et al.
D712,694 S 9/2014 Kim et al.
D779,263 S * 2/2017 Suh D7/351
D785,253 S * 4/2017 Thrasher D32/2

D800,975 S * 10/2017 Cadamuro D32/2
D804,749 S 12/2017 Tong
D821,043 S * 6/2018 Yoo D06F 58/10
D32/8
D824,606 S * 7/2018 Kendall D06F 39/12
D32/6
D827,224 S 8/2018 Lee et al.
D828,655 S 9/2018 Tong
D845,564 S 4/2019 Tong
D864,504 S 10/2019 Kim et al.
D888,354 S * 6/2020 Kendall D06F 37/203
D32/6
D904,703 S * 12/2020 Callahan D32/2
10,863,881 B2 * 12/2020 Young A47L 15/4246
D911,638 S * 2/2021 Yoon D32/2
D914,305 S * 3/2021 Yoon D32/2
D918,495 S 5/2021 Callahan et al.
2007/0119483 A1 * 5/2007 Gunnerson A47L 15/0084
134/56 D
2007/0210059 A1 * 9/2007 Ando F22B 1/284
219/401
2010/0139700 A1 6/2010 Purtilo et al.
2012/0138106 A1 * 6/2012 Fountain A47L 15/4206
134/111

OTHER PUBLICATIONS

Heatworks article, Jan. 26, 2018, tetra dishwasher with cover removed, <https://www.dezeen.com/2018/01/26/heatworks-tetra-shrinks-standard-dishwasher-fit-micro-homes-design-technology/>, site visited Aug. 3, 2021.*
Cleaning Tools for a Tiny Apartment, The New York Times, article date Mar. 23, 2018, site visited Mar. 9, 2020, <https://www.nytimes.com/2018/03/23/realestate/cleaning-small-apartment.html>.
Countertop Dishwasher publicly disclosed by Applicant, Heatworks Technologies Inc., on Jan. 7, 2018, at the CES Consumer Technology Association Trade Show in Las Vegas, Nevada. (Image of Exhibit Booth attached as Exhibit A.).
Tetra Countertop Dishwasher Specifications—MyHeatworks.com, website 2020, <https://myheatworks.com/pages/tetra-specs>, site visited Mar. 9, 2020.
European Union Intellectual Property Office Design Application No. 005944386-0001 Filed Dec. 27, 2018 entitled “Countertop Dishwasher,” registered as Registration No. 005944386-0001 on Aug. 1, 2019.
European Union Intellectual Property Office Design Application No. 005944386-0002 Filed Dec. 7, 2018 entitled “Countertop Dishwasher,” registered as Registration No. 005944386-0002 on Aug. 1, 2019.
European Union Intellectual Property Office Design Application No. 005944386-0003 Filed Dec. 27, 2018 entitled “Countertop Dishwasher,” registered as Registration No. 005944386-0003 on Aug. 1, 2019.

* cited by examiner

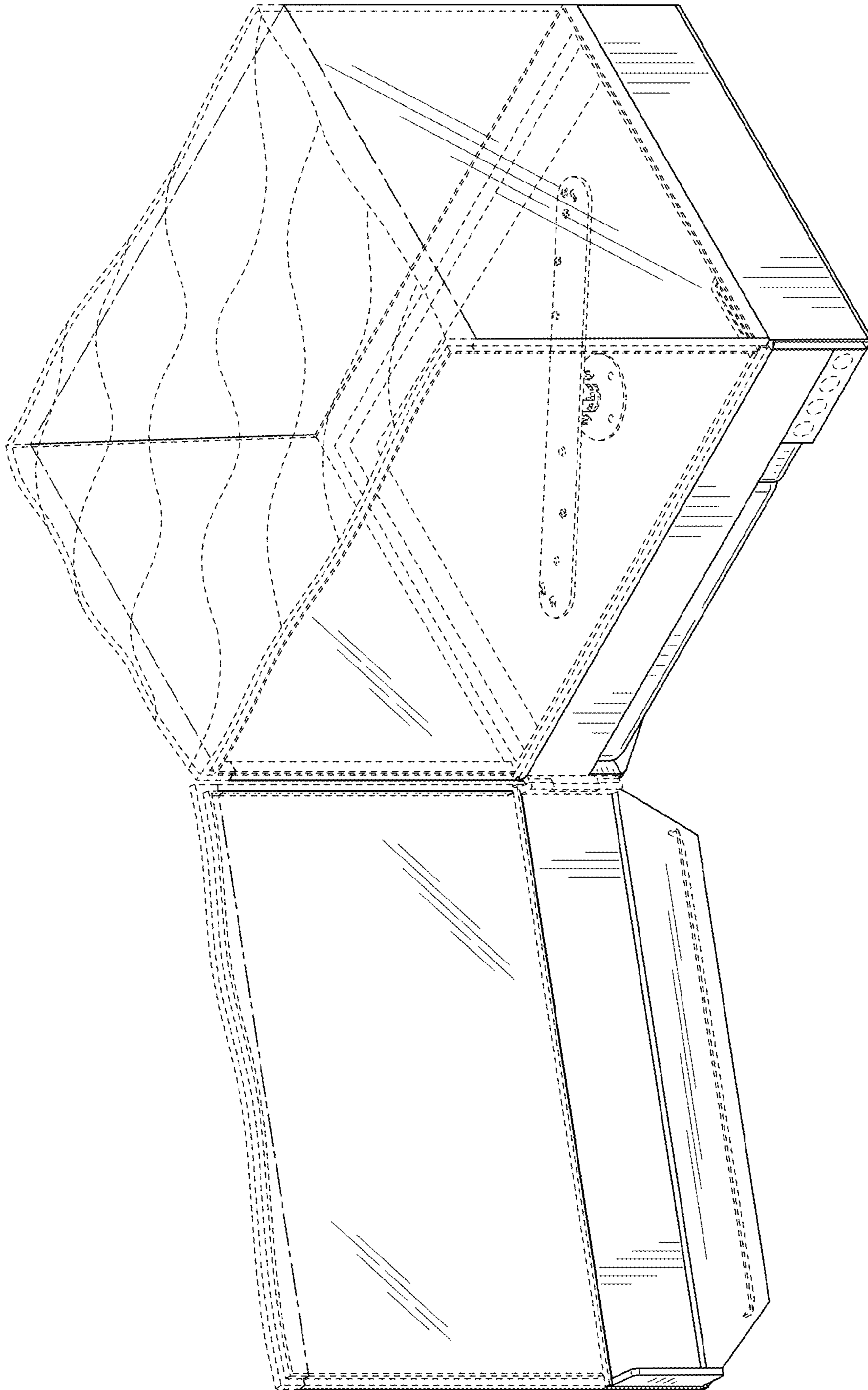


FIG. 1

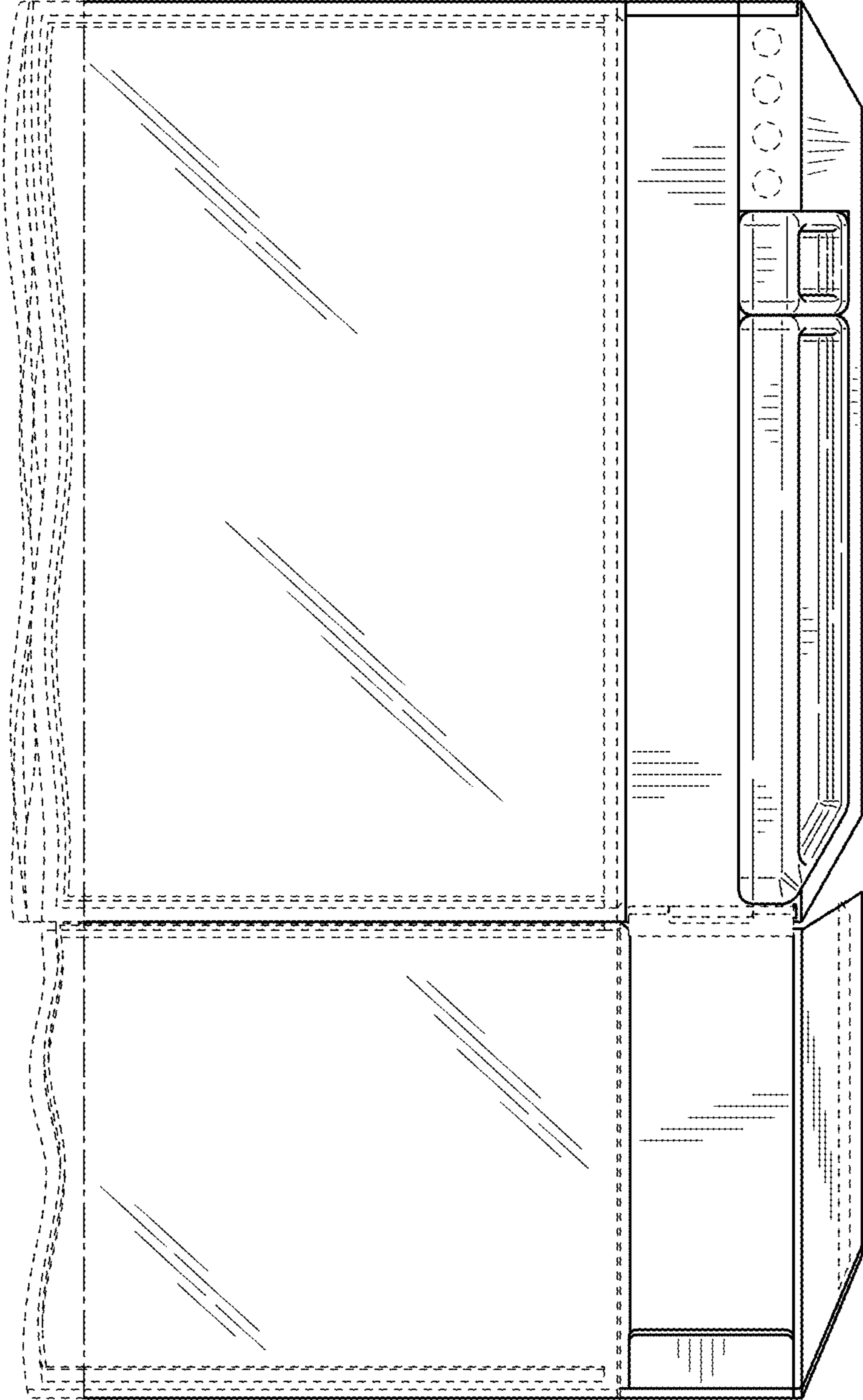


FIG. 2

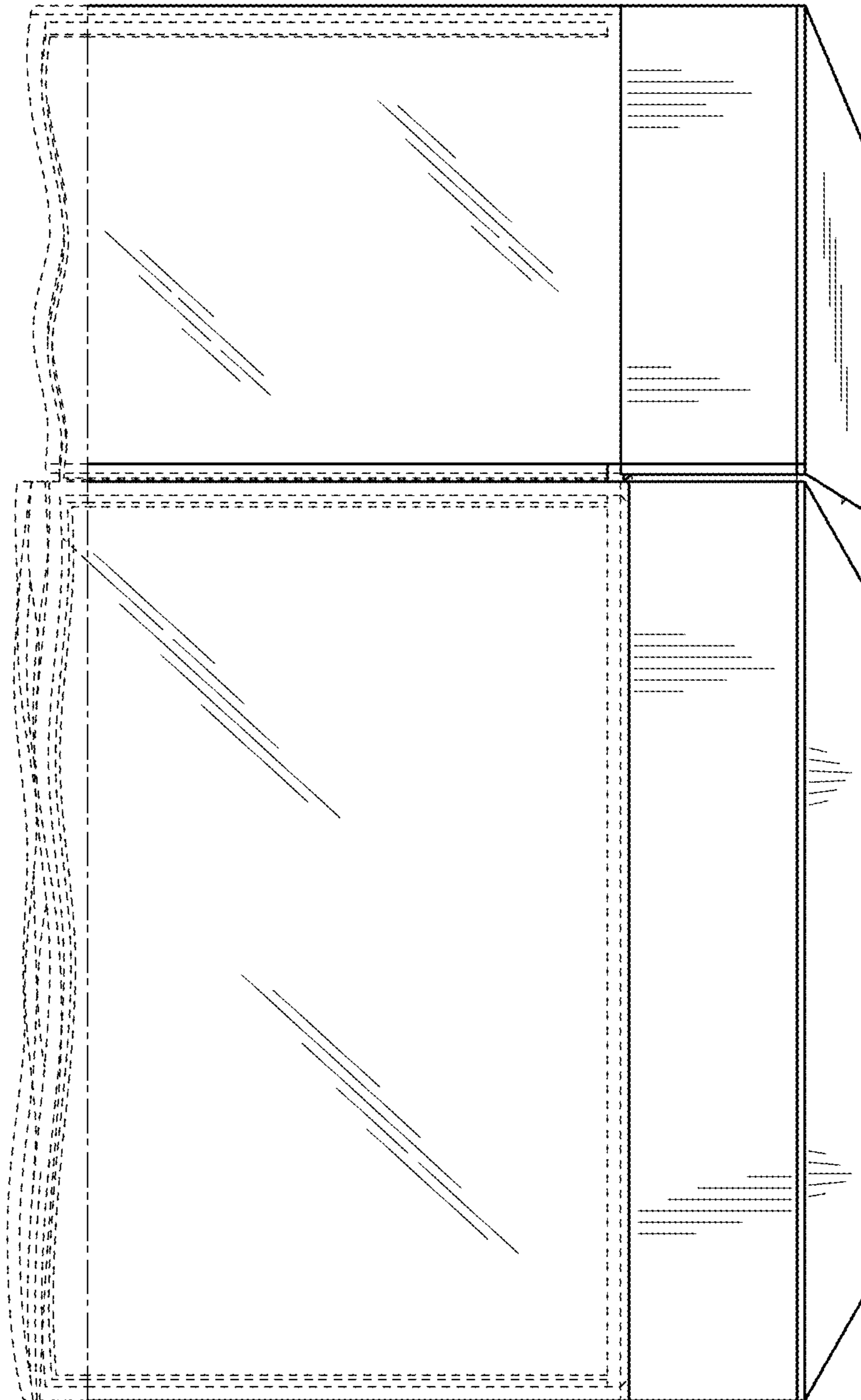


FIG. 3

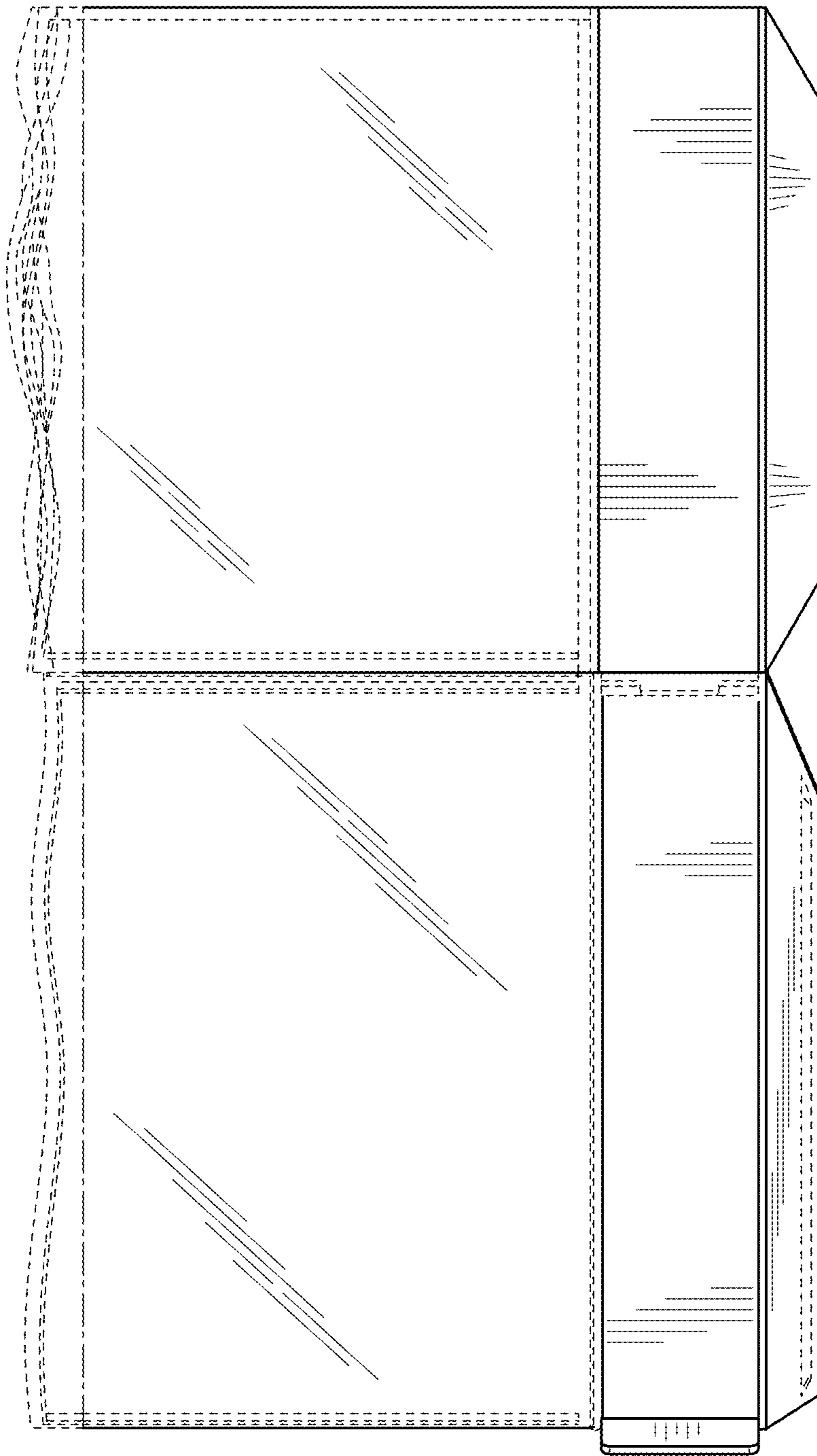


FIG. 4

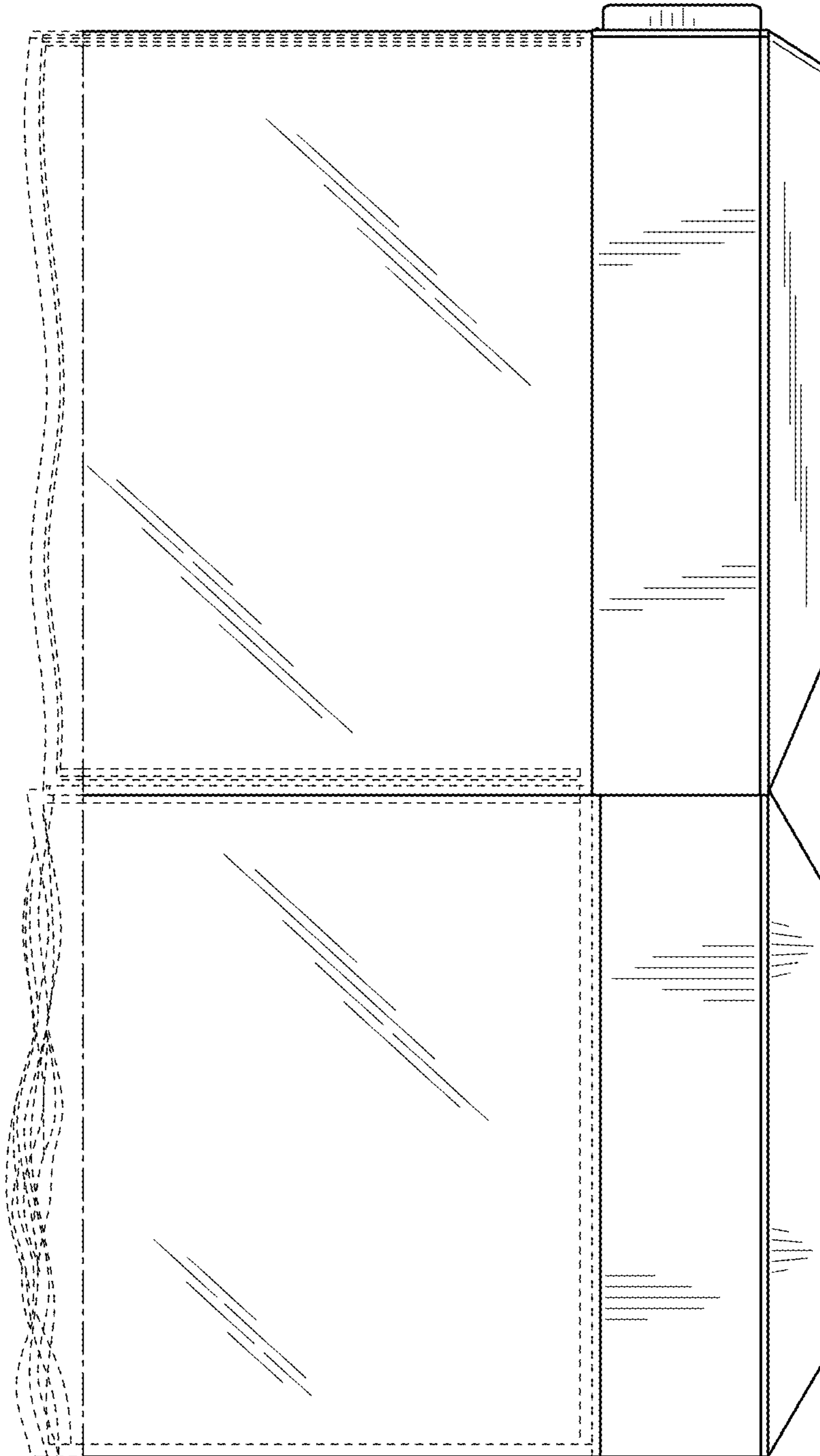


FIG. 5

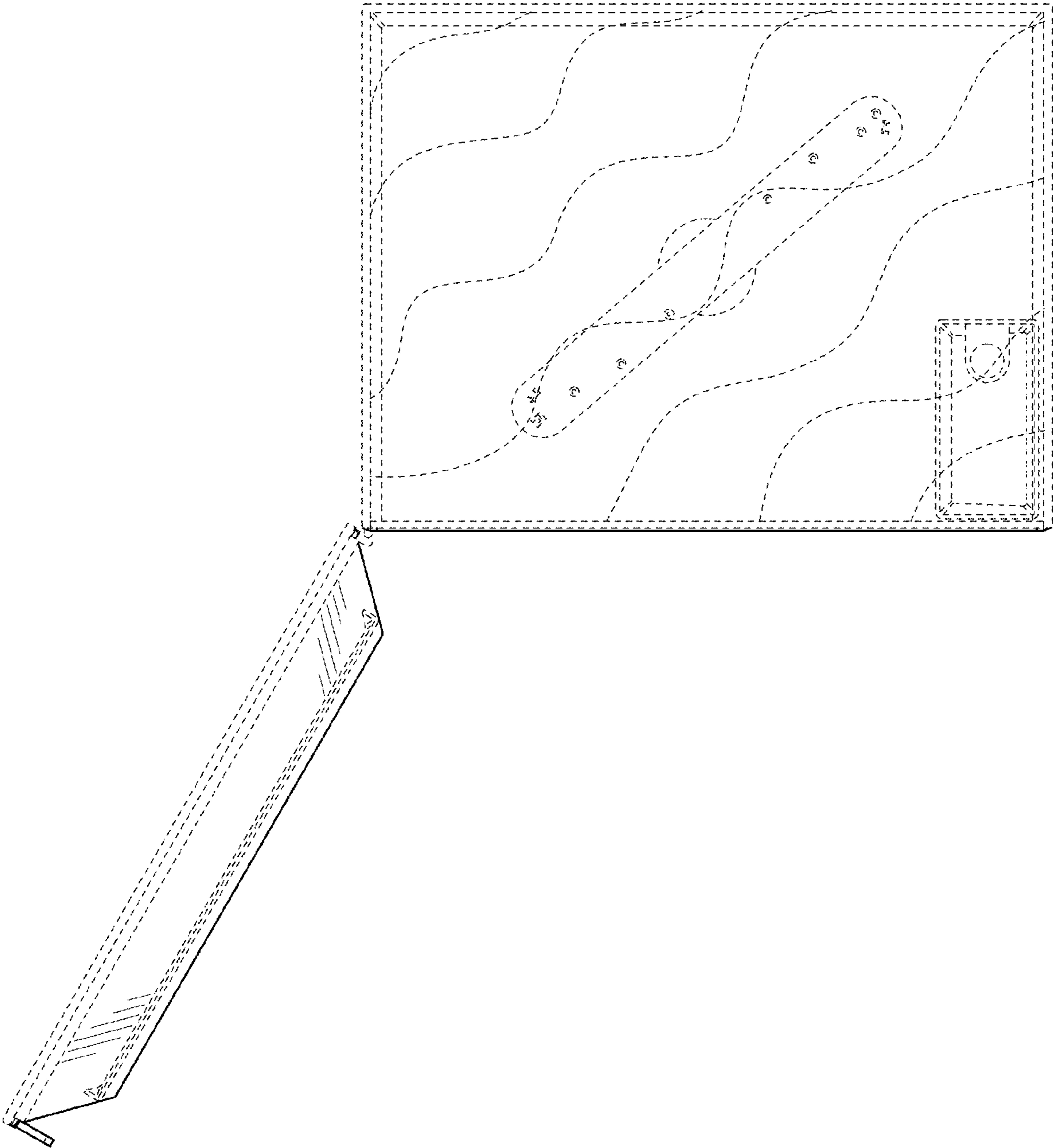


FIG. 6

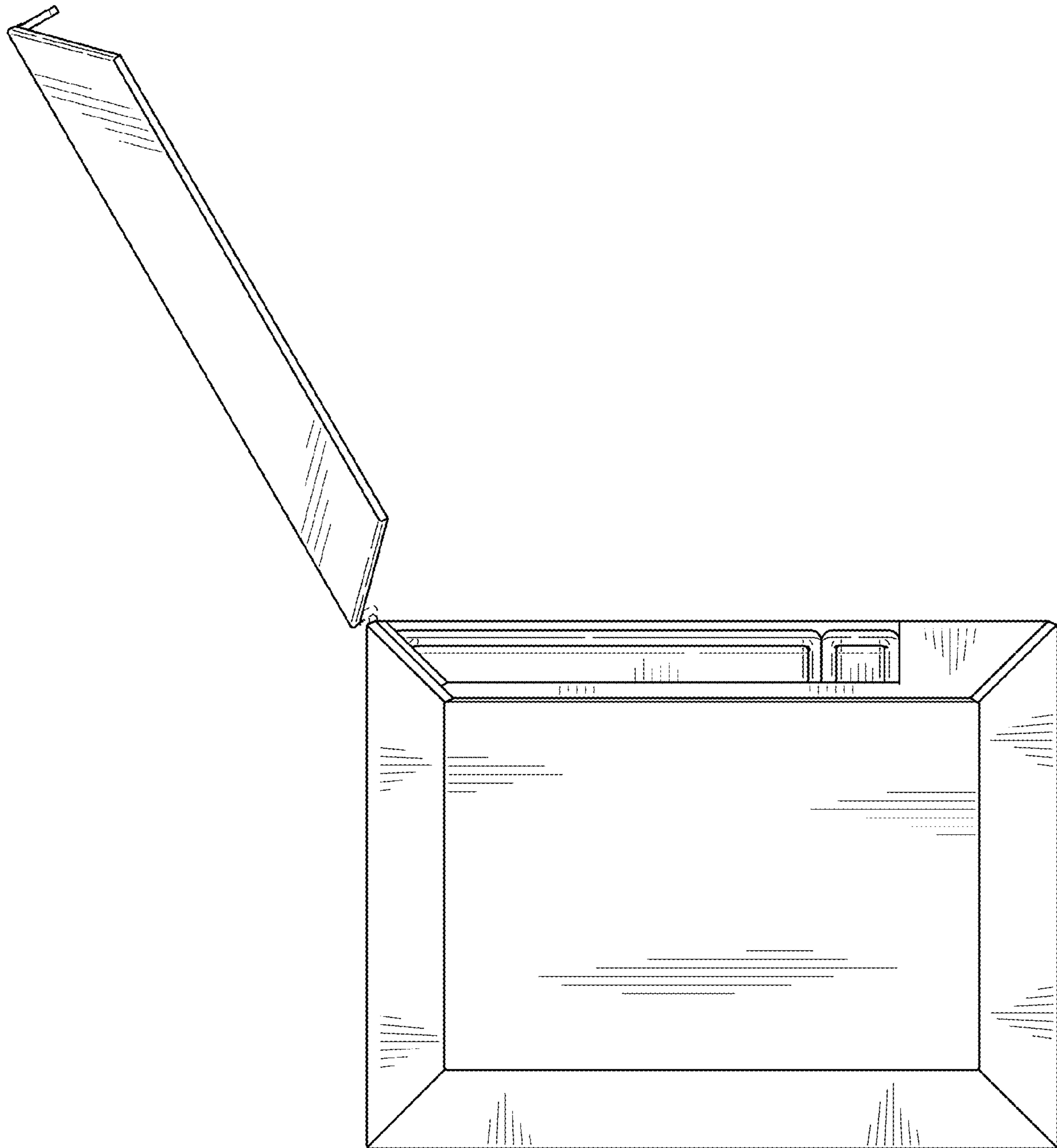


FIG. 7

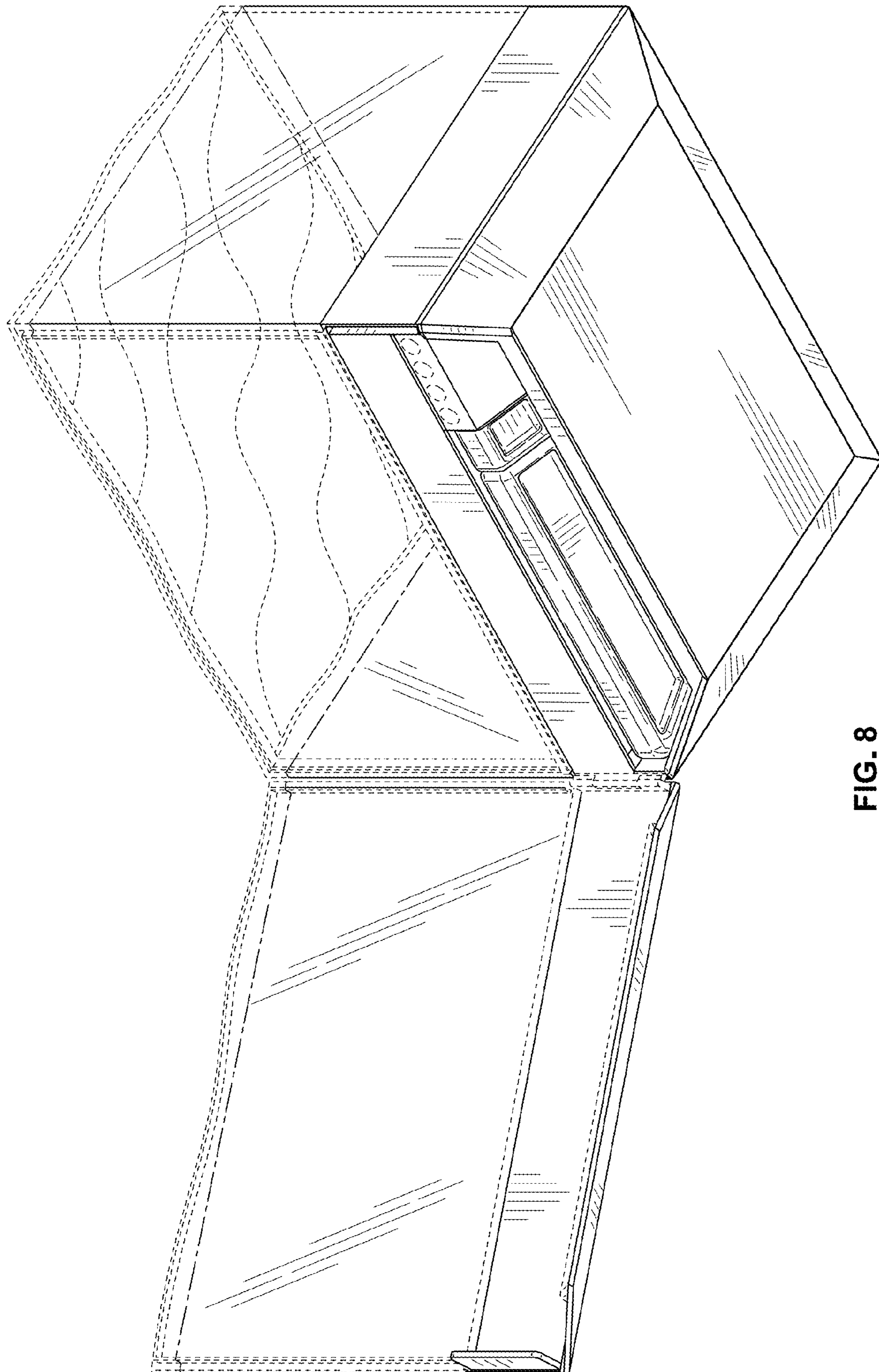


FIG. 8

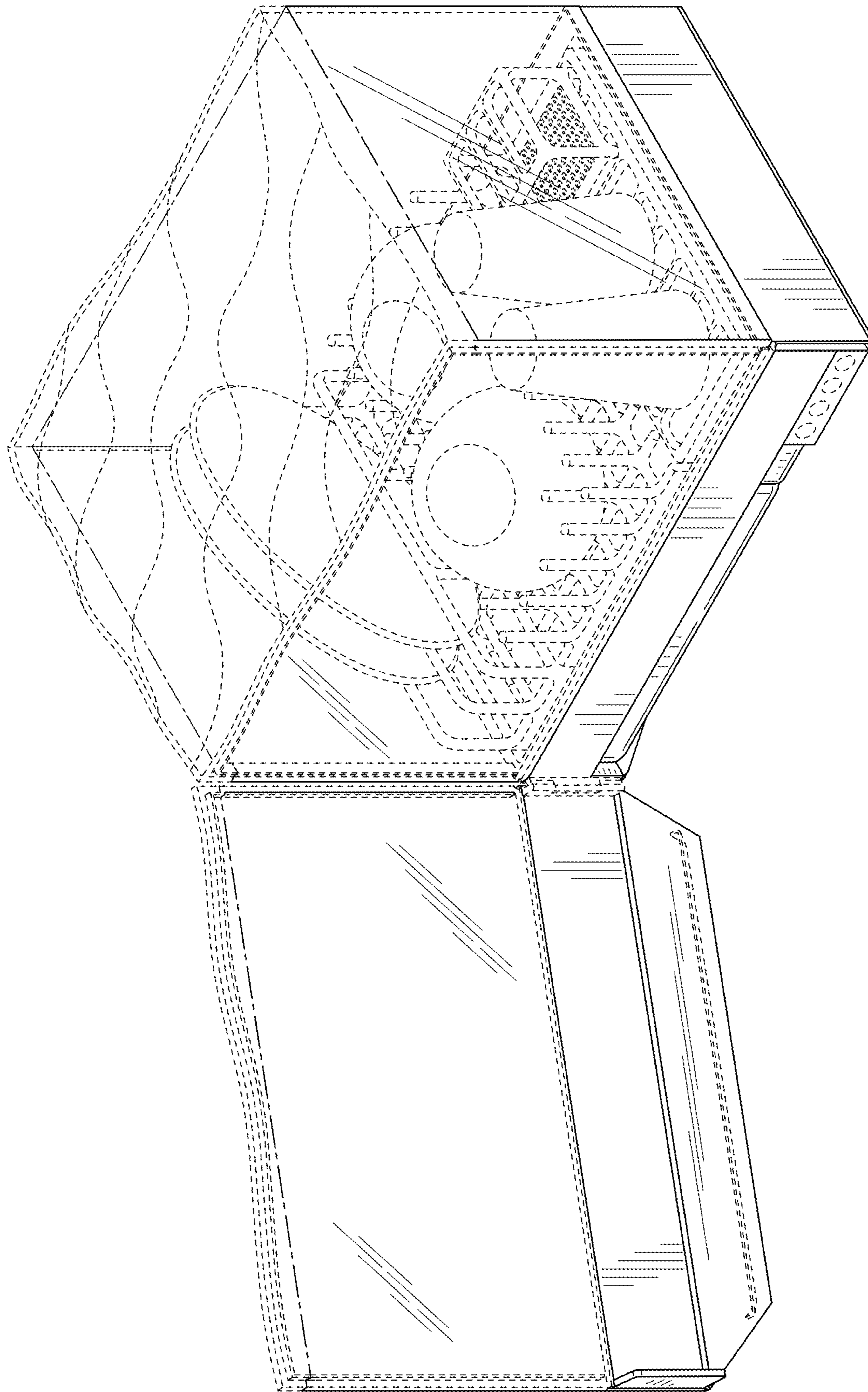


FIG. 9