

US00D939147S

(12) **United States Design Patent** (10) **Patent No.:** **US D939,147 S**
Beland et al. (45) **Date of Patent:** **** Dec. 21, 2021**

(54) **BOMB DISPOSAL SUIT**
(71) Applicant: **Med-Eng, LLC**, Jacksonville, FL (US)
(72) Inventors: **Robert Beland**, Pickering (CA);
Magda Slobozianu, Ottawa (CA); **Carl Juhani Hymander**, Ottawa (CA); **Clint Hedge**, Winchester (CA); **Aristidis Makris**, Ottawa (CA)

5,119,515 A * 6/1992 Altinger A62D 5/00
2/457
5,127,896 A * 7/1992 de Gaston A62B 9/022
128/202.11
5,946,719 A 9/1999 Crupi
5,966,747 A 10/1999 Crupi
6,076,571 A * 6/2000 Burns A62B 17/006
141/311 R
D429,384 S 8/2000 Crupi
(Continued)

(73) Assignee: **Med-Eng, LLC**, Jacksonville, FL (US)
(**) Term: **15 Years**

(21) Appl. No.: **29/724,458**
(22) Filed: **Feb. 14, 2020**
(51) **LOC (13) Cl.** **02-02**
(52) **U.S. Cl.**
USPC **D29/100**
(58) **Field of Classification Search**
USPC D29/100-101.5; D2/828, 830, 728, 739
CPC A41D 3/00; A41D 13/00; A41D 13/0012;
A41D 13/0518; A41D 13/0568; A41D
13/015; A41D 31/04; A41D 31/08; A41D
31/085; F41H 1/02; F41H 1/00; A62B
17/00; B63C 11/04
See application file for complete search history.

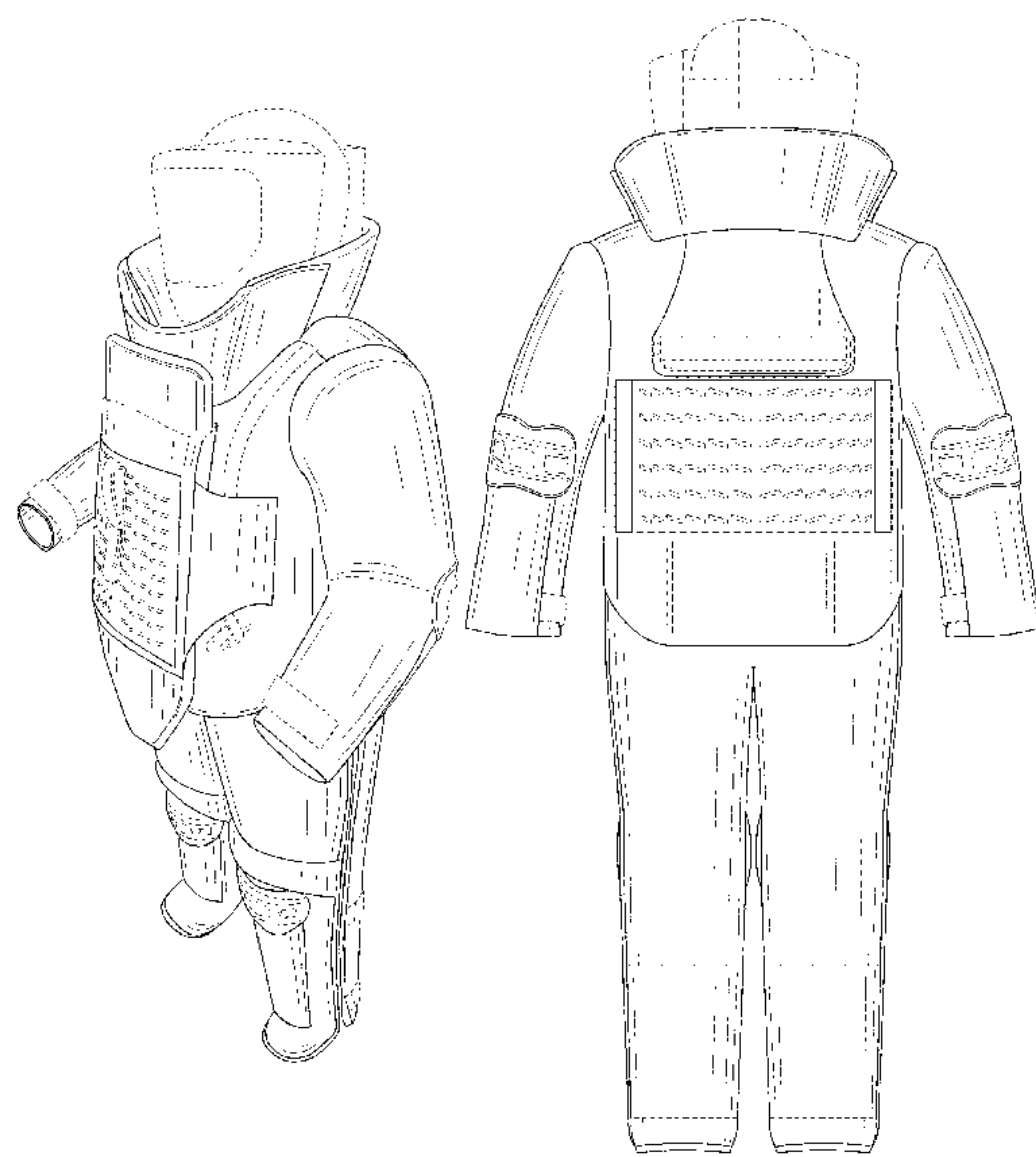
(56) **References Cited**
U.S. PATENT DOCUMENTS
3,049,896 A * 8/1962 Webb A41D 13/0025
128/201.25
3,911,913 A * 10/1975 June A44B 19/16
128/201.29
H000007 H * 1/1986 Martone 2/2.5
4,694,505 A * 9/1987 Flosi A41D 13/0153
2/462
4,847,914 A * 7/1989 Suda A62B 17/006
2/457
5,005,216 A * 4/1991 Blackburn A62B 17/006
128/201.29

OTHER PUBLICATIONS
EOD 10 Suit and Helmet—Med-Eng (on-line), dated Mar. 31, 2020. Retrieved from Internet May 28, 2021, URL: <http://web.archive.org/web/20200331045318/https://www.med-eng.com/product/eod-10-suit-helmet/> (1 page) (Year: 2020).*
Primary Examiner — Kimberly Barnes
(74) *Attorney, Agent, or Firm* — Kane Kessler, P.C.; Paul E. Szabo

(57) **CLAIM**
The ornamental design for a bomb disposal suit, as shown and described.

DESCRIPTION
FIG. 1 is a perspective view of a bomb suit showing our new design;
FIG. 2 is a front elevational view of the bomb disposal suit;
FIG. 3 is a back elevational view of the bomb disposal suit;
FIG. 4 is a right side elevational view of the bomb disposal suit;
FIG. 5 is a left side elevational view of the bomb disposal suit;
FIG. 6 is a top plan view of the bomb disposal suit; and,
FIG. 7 is a bottom plan view of the bomb disposal suit.
The broken lines depict portions of the bomb disposal suit that form no part of the claimed design.

1 Claim, 6 Drawing Sheets



(56)

References Cited

U.S. PATENT DOCUMENTS

D435,697	S	12/2000	James	
D441,917	S	5/2001	L'abbe et al.	
D475,812	S	6/2003	Kalaam	
6,715,149	B2 *	4/2004	Myerscough A41D 13/012 2/2.15
7,062,786	B2 *	6/2006	Stinton A41D 13/0005 2/2.15
D559,466	S	1/2008	Crossman	
D562,501	S	2/2008	Kalaam	
D573,312	S *	7/2008	Siepmann D2/743
D629,568	S	12/2010	Reynolds	
D635,304	S	3/2011	Reynolds	
8,032,945	B2 *	10/2011	Taylor B63C 9/1055 2/2.17
8,146,169	B2 *	4/2012	Marchesi A41D 31/245 2/2.5
8,209,769	B1 *	7/2012	Ellis F41H 1/02 2/2.5
8,662,528	B1	3/2014	Abdulaziz	
D705,521	S *	5/2014	Read D2/745
9,155,921	B2 *	10/2015	Ozawa A41D 13/002
D755,443	S *	5/2016	King D29/100
D787,131	S	5/2017	Beland et al.	
D828,630	S	9/2018	Beland et al.	
10,195,468	B2 *	2/2019	Allan A62B 9/02
D847,464	S *	5/2019	Oliver D2/732
10,307,622	B2 *	6/2019	Lawson A62B 17/005
10,690,450	B2 *	6/2020	Levine A41D 13/0025
2009/0100557	A1 *	4/2009	Insulan B63C 11/04 2/2.17
2018/0003467	A1 *	1/2018	Hand A43B 3/02

* cited by examiner

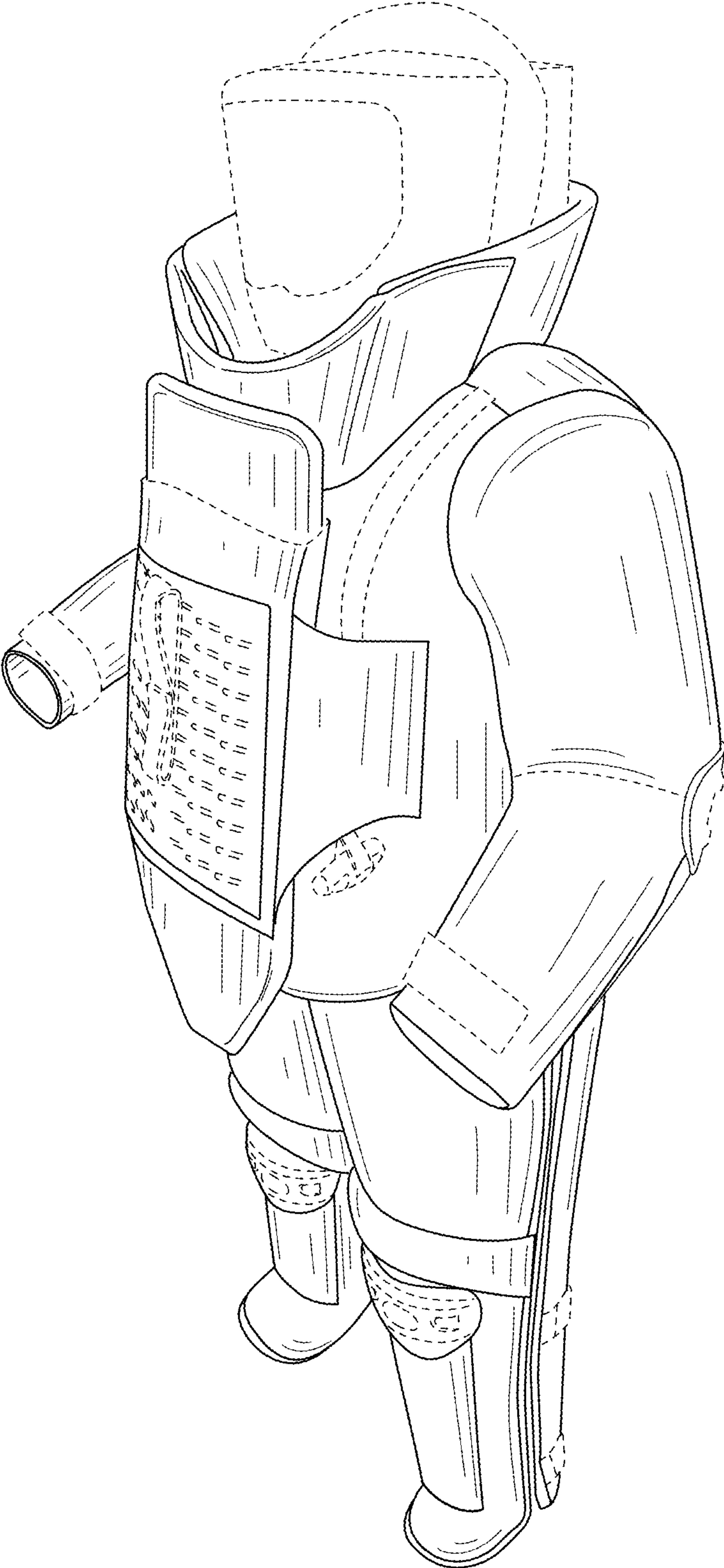


FIG. 1

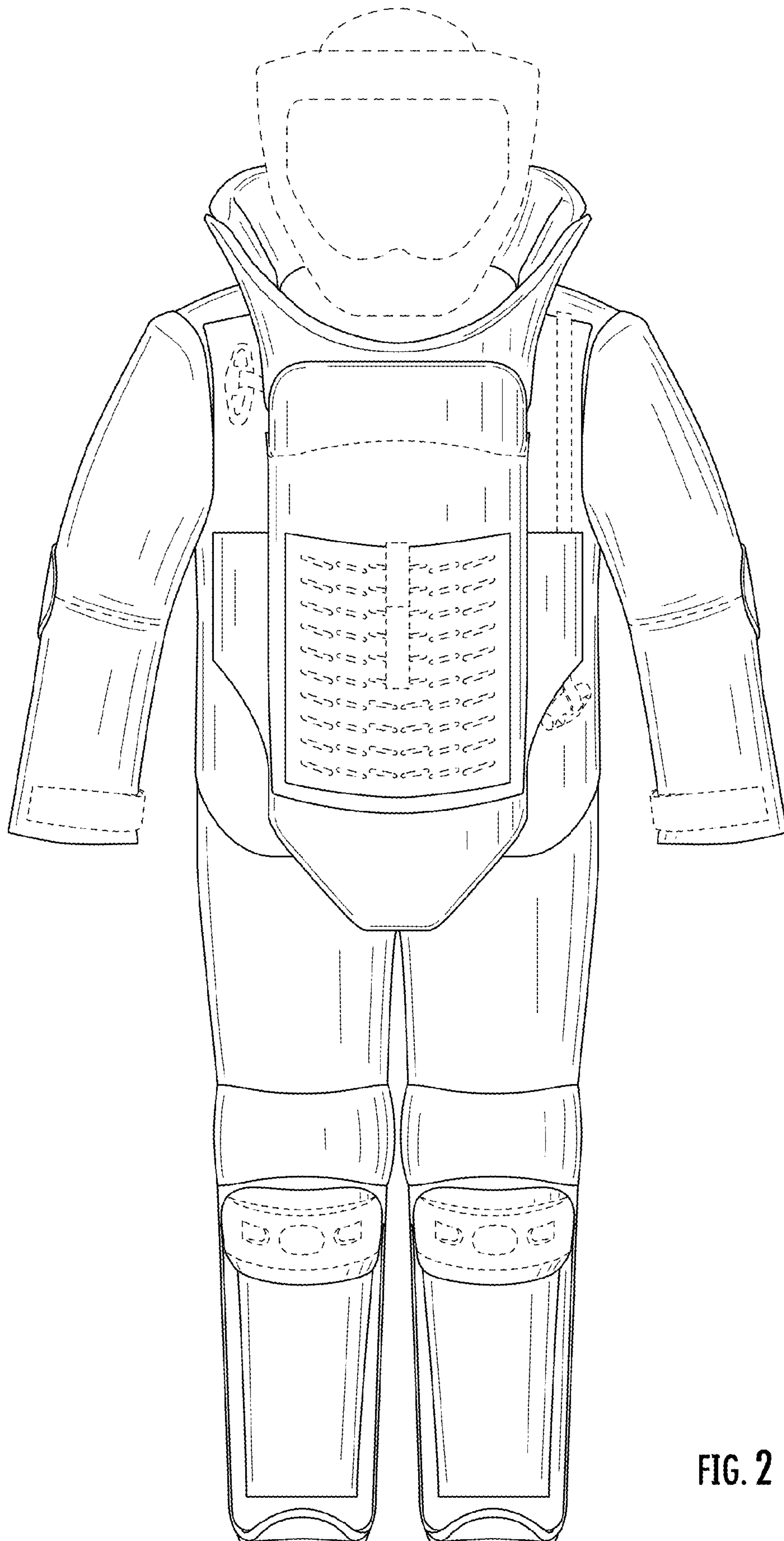


FIG. 2

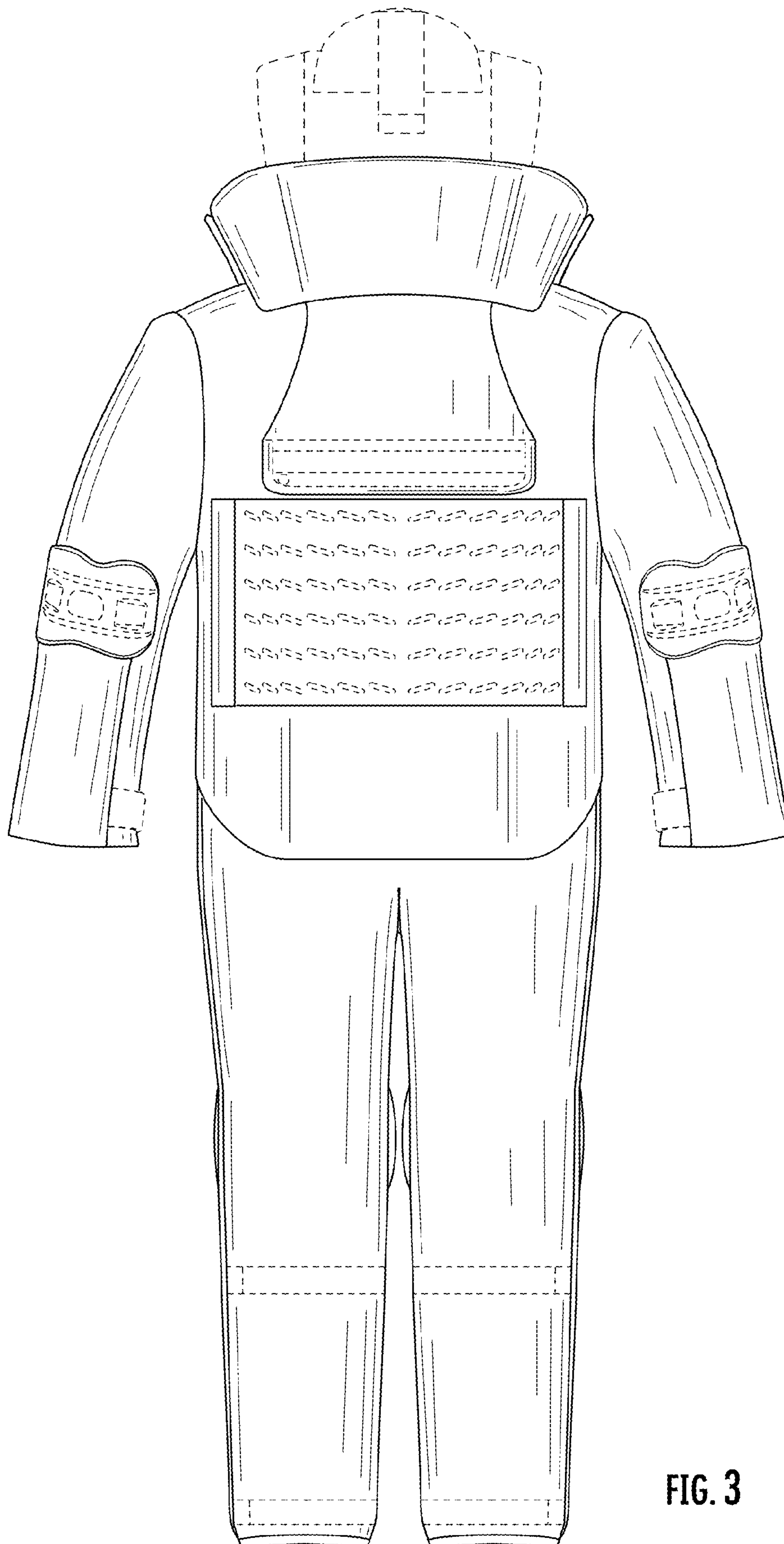


FIG. 3

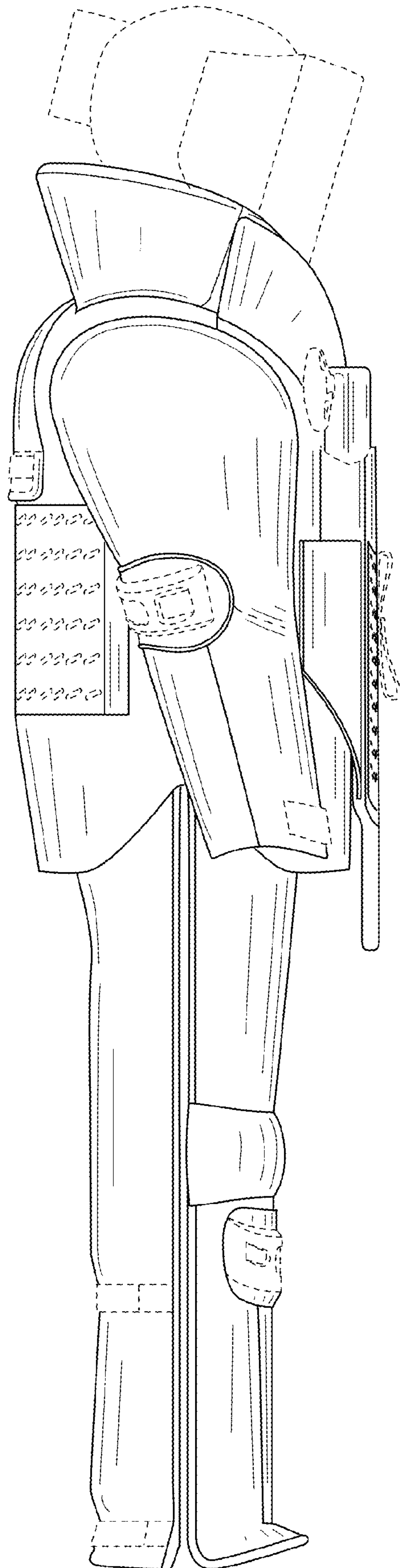


FIG. 4

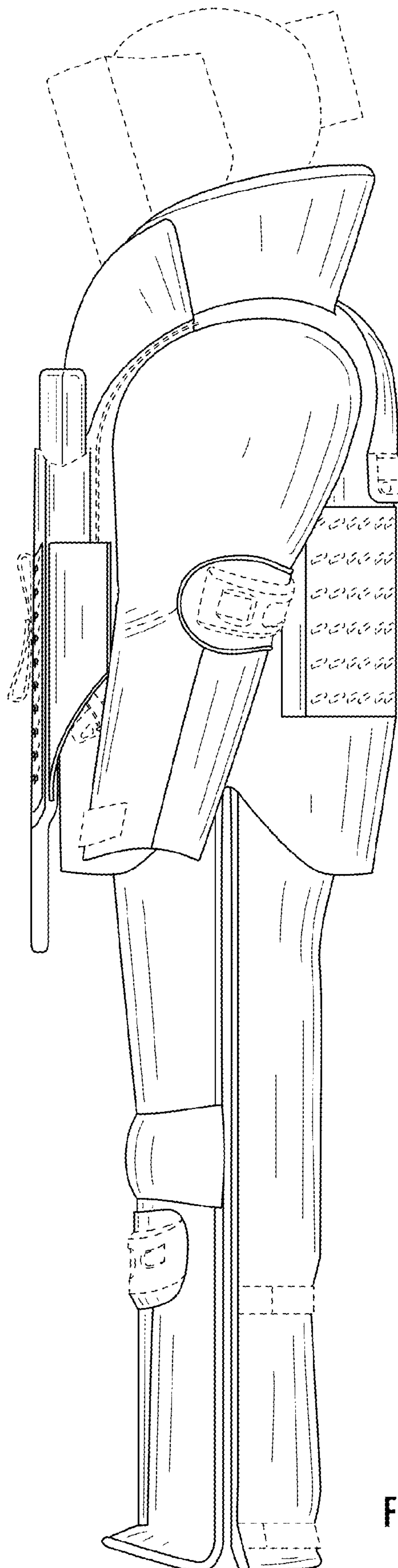


FIG. 5

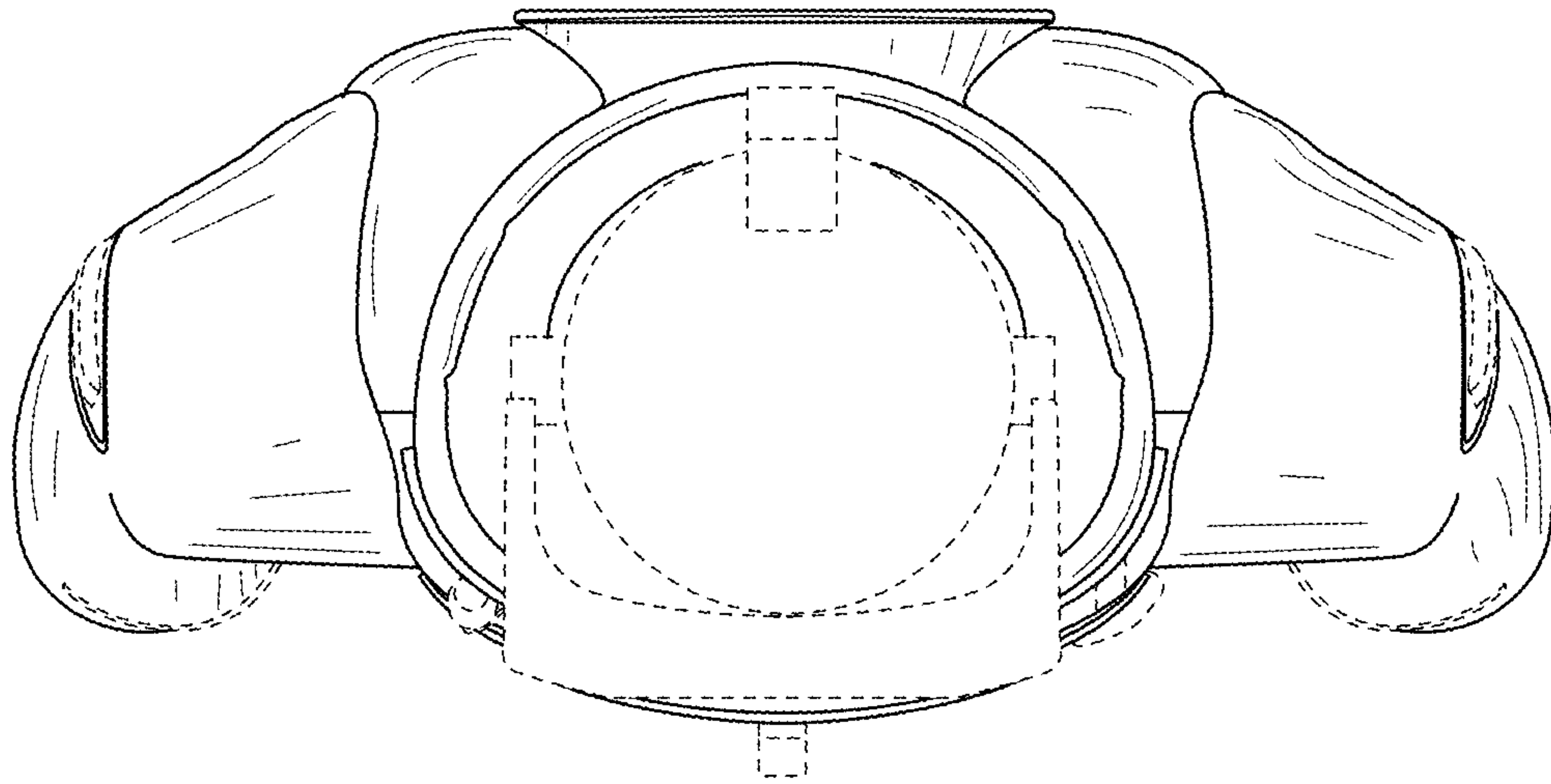


FIG. 6

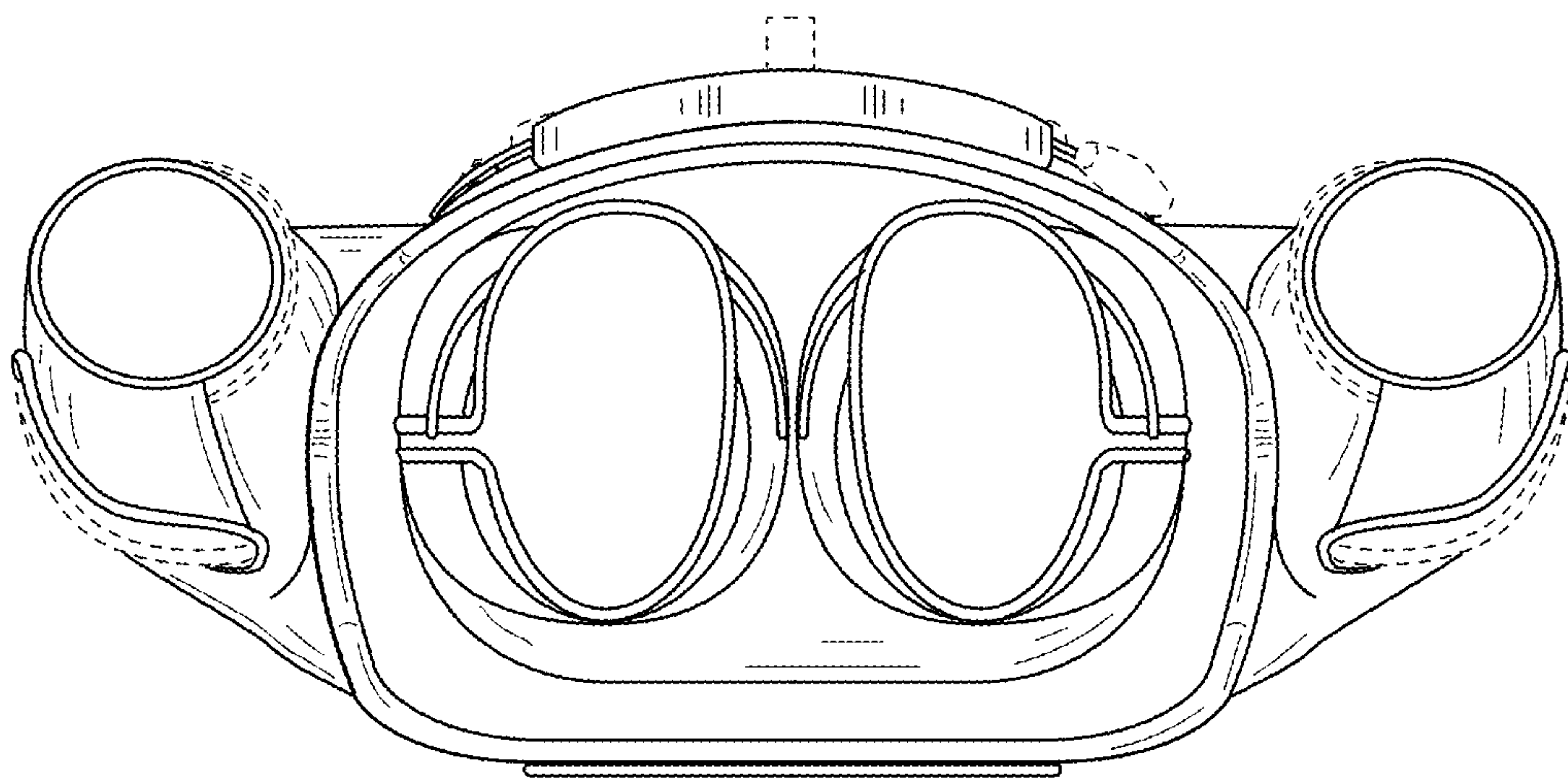


FIG. 7