



US00D939143S

(12) **United States Design Patent** (10) **Patent No.:** **US D939,143 S**
Li (45) **Date of Patent:** **** Dec. 21, 2021**

(54) **HAND DRYER**

(71) Applicant: **ZHEJIANG INTERHASA INTELLIGENT TECHNOLOGY CO., LTD.**, Zhejiang (CN)

(72) Inventor: **Zuoming Li**, Zhejiang (CN)

(73) Assignee: **ZHEJIANG INTERHASA INTELLIGENT TECHNOLOGY CO., LTD.**, Zhejiang (CN)

(**) Term: **15 Years**

(21) Appl. No.: **29/701,982**

(22) Filed: **Aug. 15, 2019**

(30) **Foreign Application Priority Data**

Jul. 18, 2019 (CN) 201930383862.0

(51) **LOC (13) Cl.** **28-03**

(52) **U.S. Cl.**
USPC **D28/54.1**

(58) **Field of Classification Search**
USPC D28/12, 54.1, 58; D23/357, 361, 385
CPC F26B 21/004; A45D 20/00; A47K 10/48;
B05B 1/04

See application file for complete search history.

(56) **References Cited**

U.S. PATENT DOCUMENTS

D672,091 S *	12/2012	Dyson	D28/54.1
D776,350 S *	1/2017	Gammack	D28/54.1
D776,351 S *	1/2017	Gammack	D28/54.1
D841,248 S *	2/2019	Li	D28/54.1

* cited by examiner

Primary Examiner — Zenia I Bennett

(74) *Attorney, Agent, or Firm* — Christensen, Fonder, Dardi & Herbert PLLC

(57) **CLAIM**

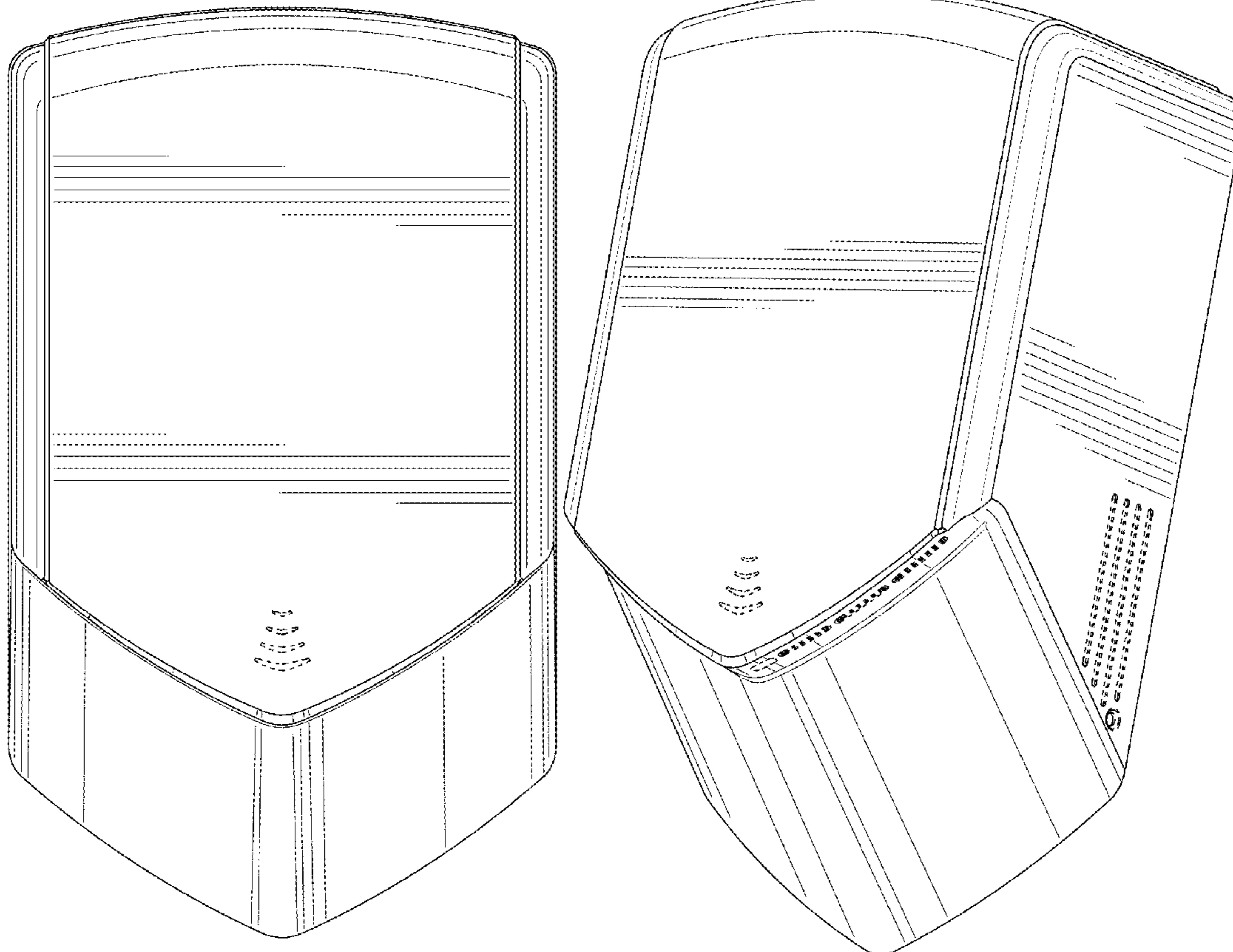
I claim the ornamental design for a hand dryer, as shown and described.

DESCRIPTION

FIG. 1 is a front view of the hand dryer;
FIG. 2 is a rear view of the hand dryer of FIG. 1;
FIG. 3 is a left-side view of the hand dryer of FIG. 1;
FIG. 4 is a right-side view of the hand dryer of FIG. 1;
FIG. 5 is a top view of the hand dryer of FIG. 1;
FIG. 6 is a bottom view of the hand dryer of FIG. 1; and,
FIG. 7 is a front perspective view of the hand dryer of FIG. 1.

The figures include broken lines that are directed to environment and are for illustrative purposes only; the broken lines form no part of the claimed design.

1 Claim, 7 Drawing Sheets



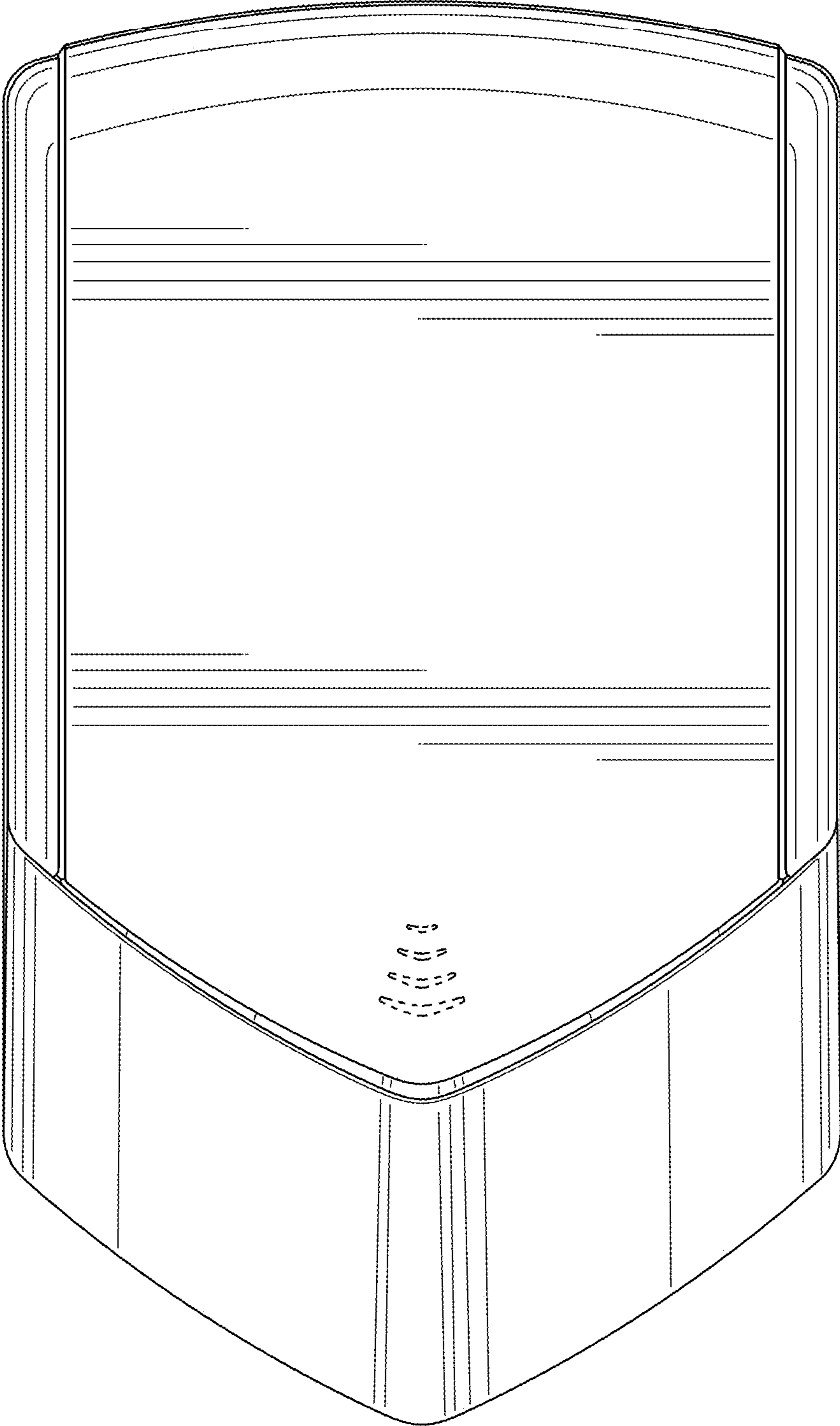


FIG. 1

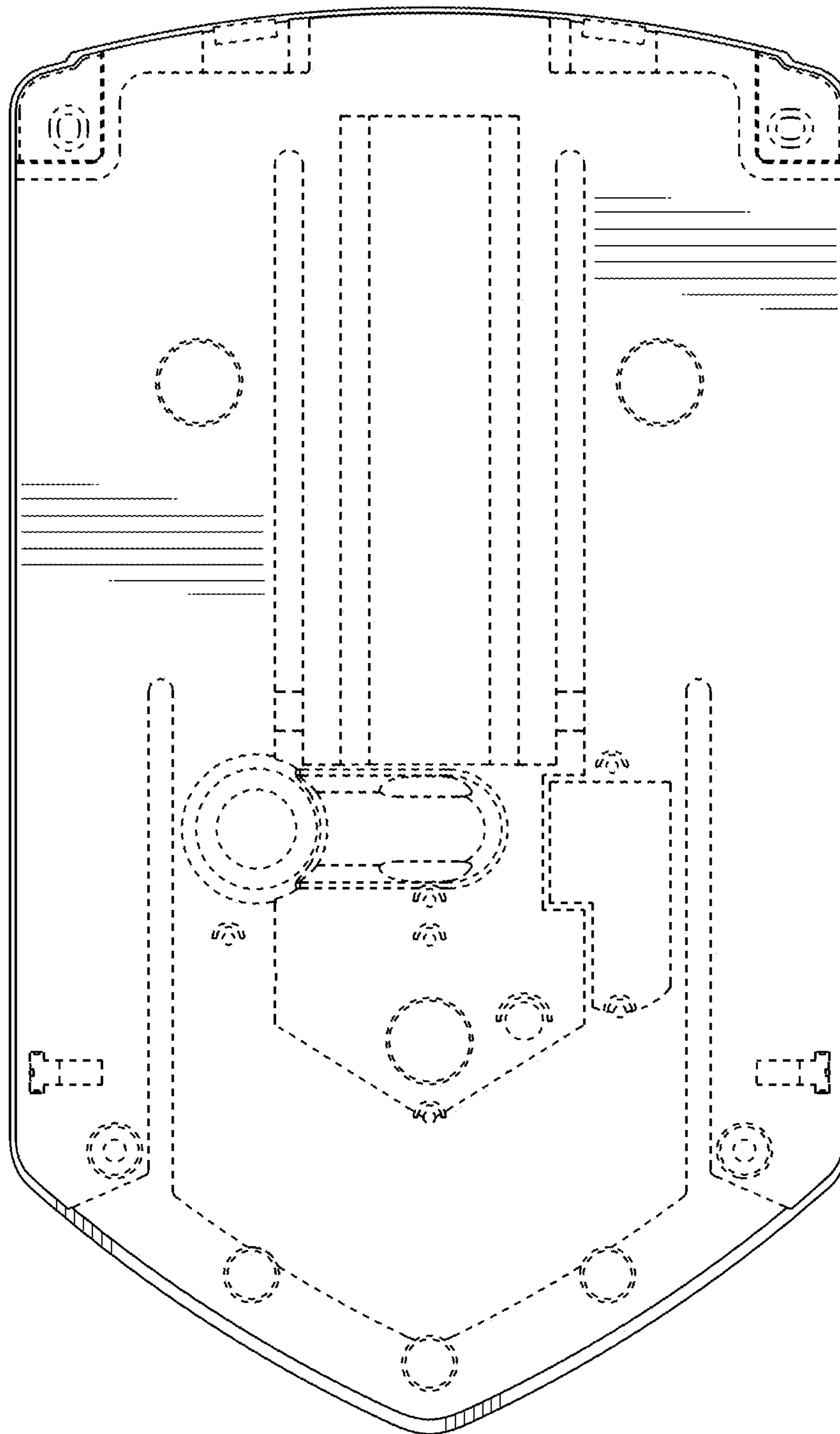


FIG. 2

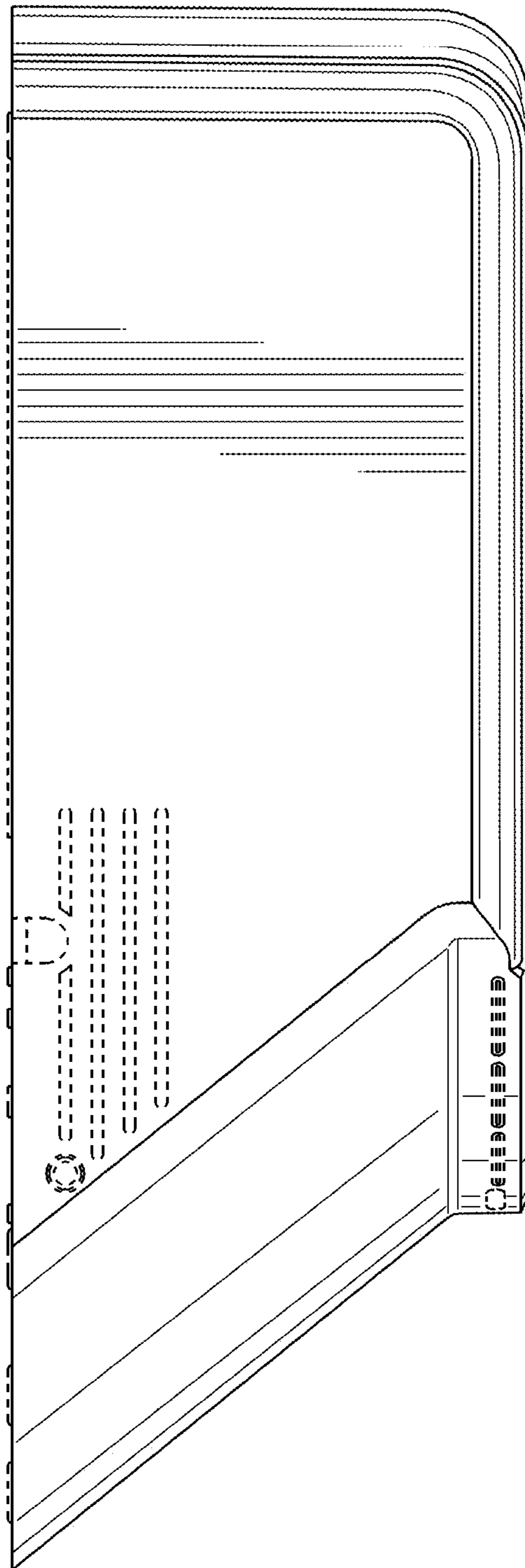


FIG. 3

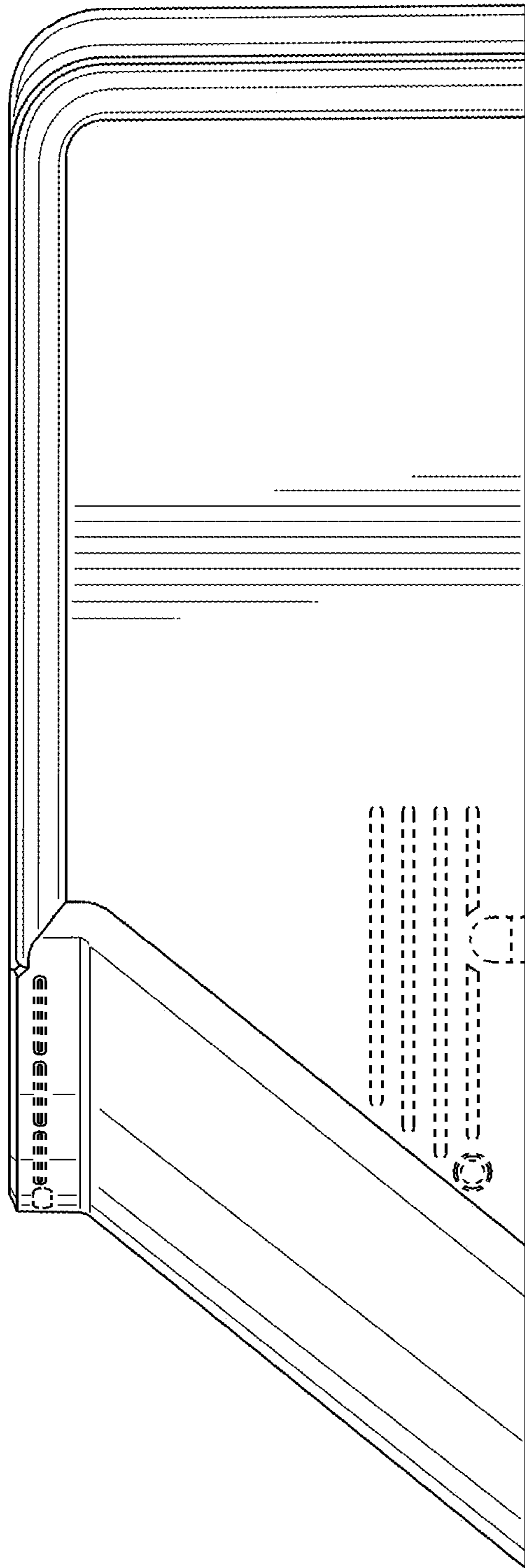


FIG. 4

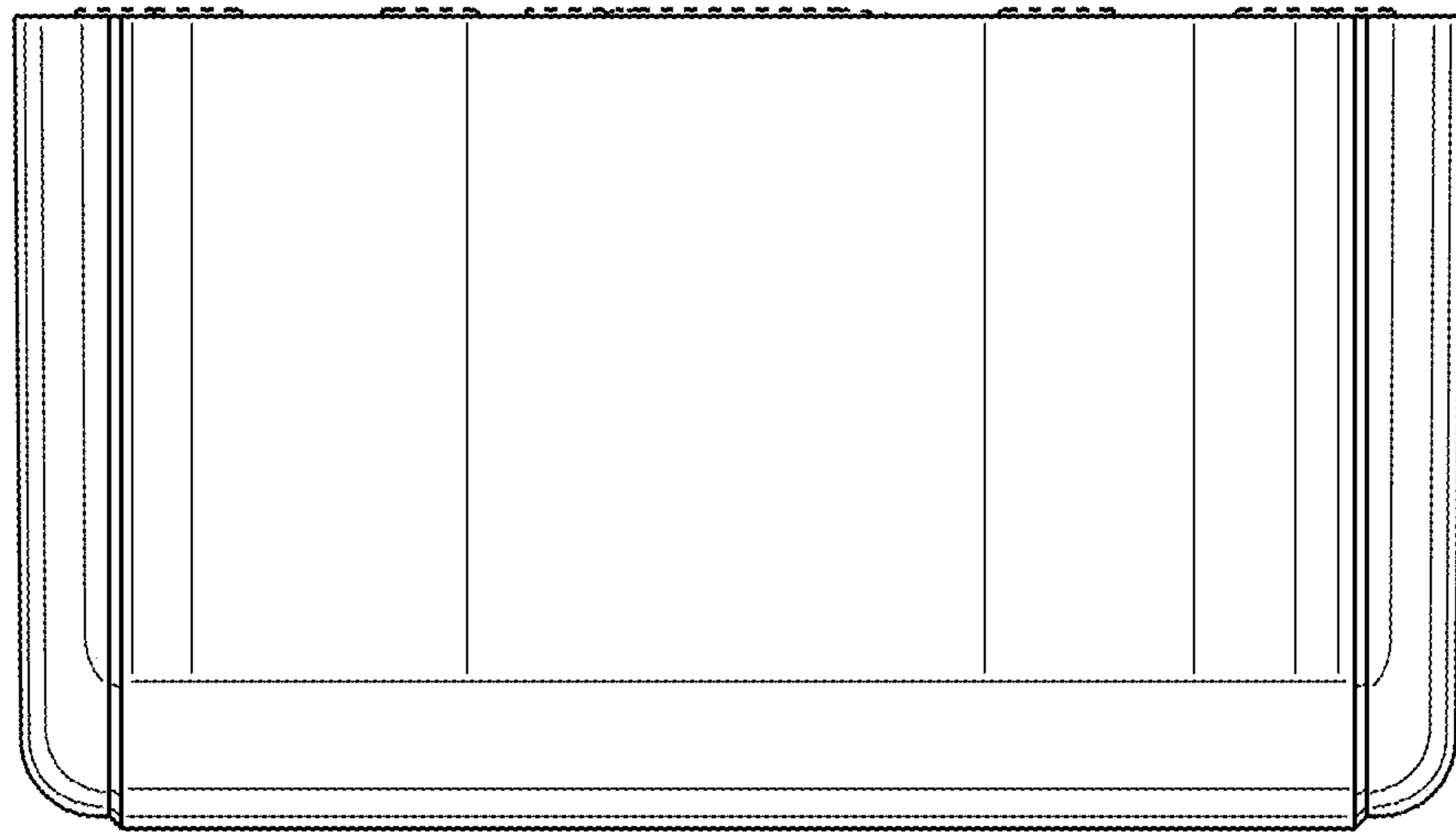


FIG. 5

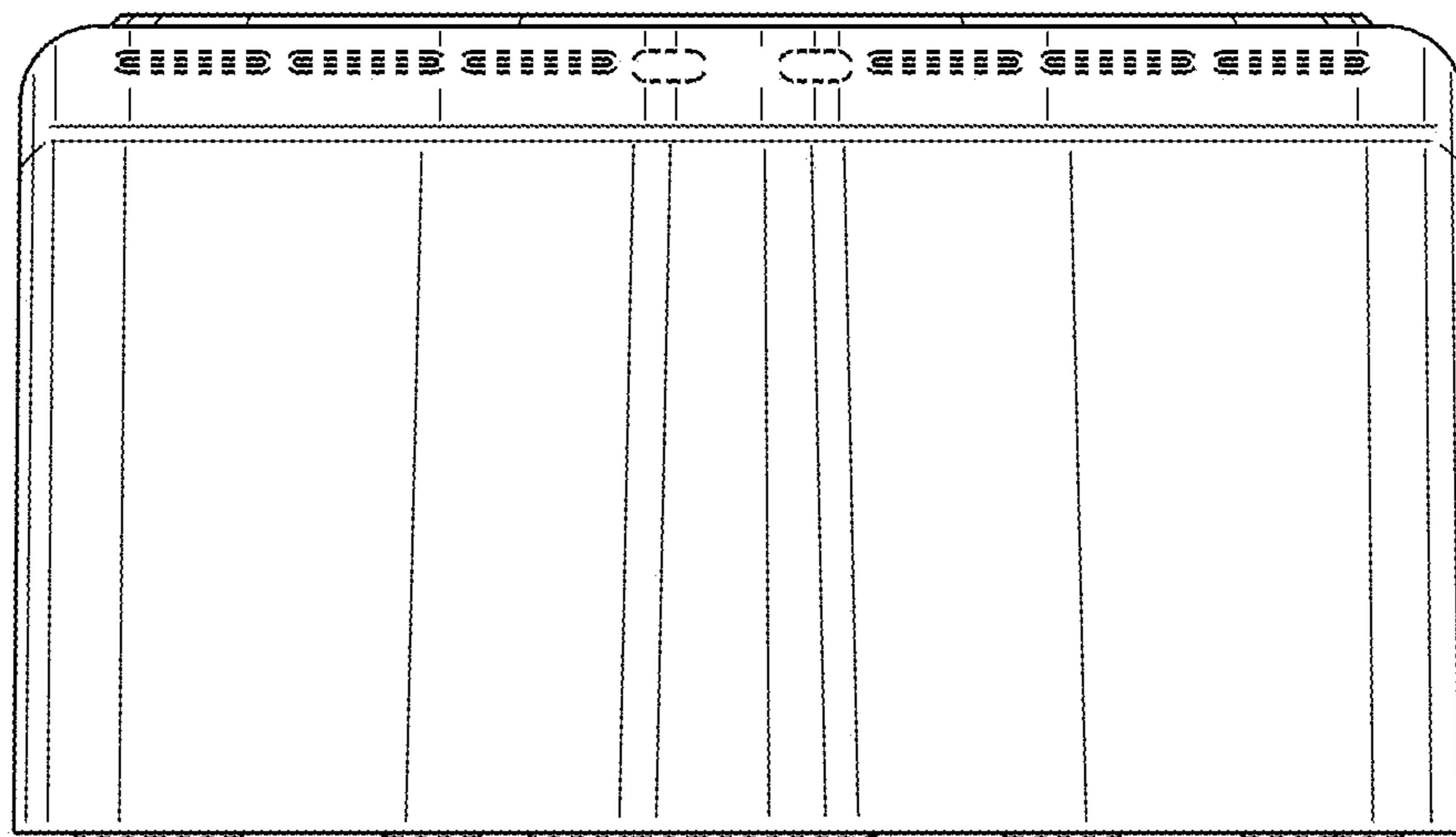


FIG. 6

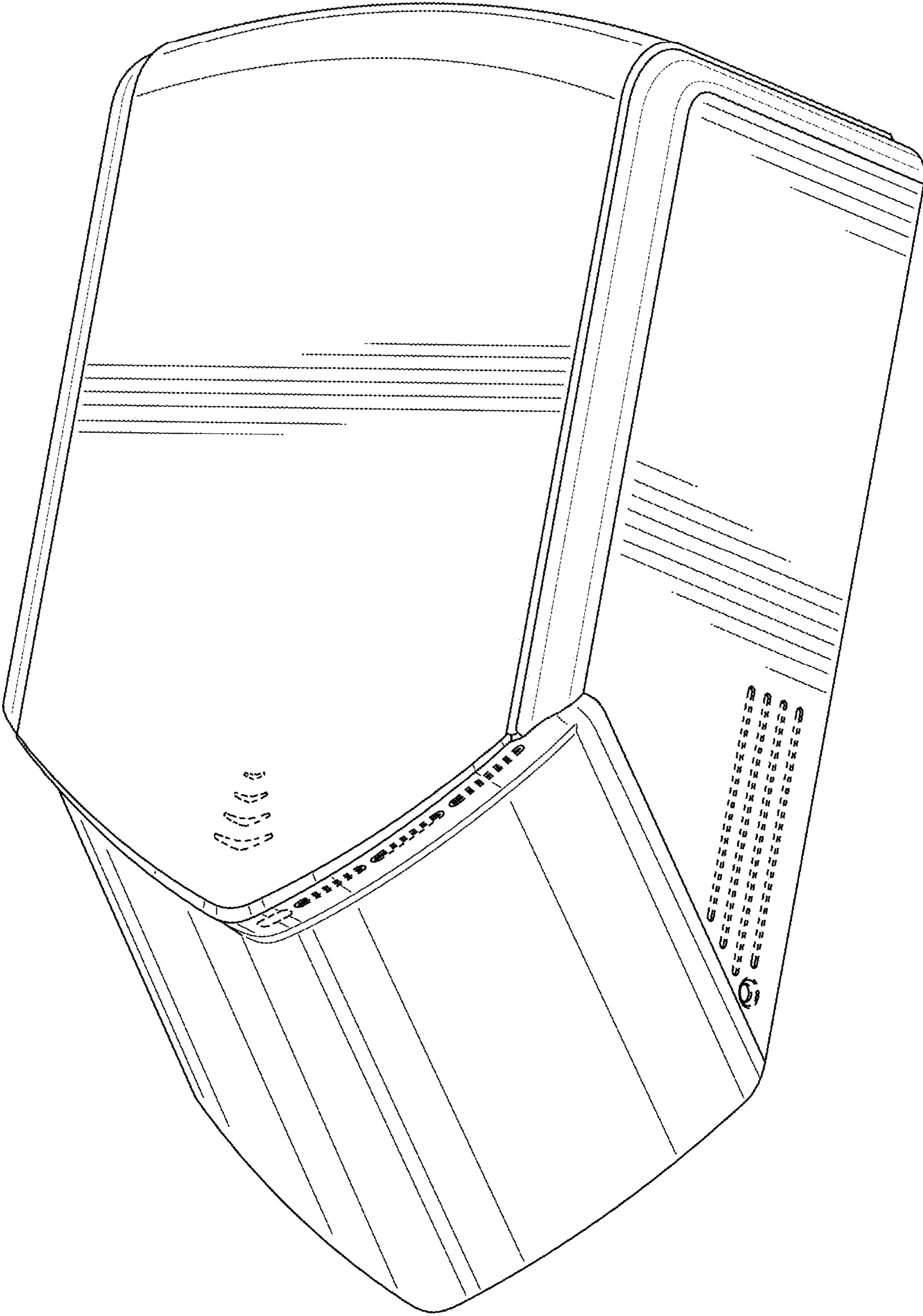


FIG. 7