



US00D939142S

(12) **United States Design Patent**
Liu

(10) **Patent No.:** **US D939,142 S**

(45) **Date of Patent:** **** Dec. 21, 2021**

(54) **HAIR REMOVER**

(71) Applicant: **Meiyun Liu**, Zhoukou (CN)

(72) Inventor: **Meiyun Liu**, Zhoukou (CN)

(**) Term: **15 Years**

(21) Appl. No.: **29/736,907**

(22) Filed: **Jun. 3, 2020**

(51) **LOC (13) Cl.** **28-03**

(52) **U.S. Cl.**
USPC **D28/44.1**; D24/209; D24/214

(58) **Field of Classification Search**
USPC D28/44.1; D24/209, 214
CPC A61B 2018/0047; A61B 2018/0452; A61B
2018/202; A61B 2018/0476; A61B 18/18;
A61B 18/02; A61B 18/30; A61B
2018/00315; A61B 2018/00476; A45D
26/0023-0038; A45D 26/0004-0009;
A45D 26/0057

See application file for complete search history.

(56) **References Cited**

U.S. PATENT DOCUMENTS

D776,874 S *	1/2017	Kling	D28/44.1
D802,841 S *	11/2017	Kling	D28/44.1
D820,464 S *	6/2018	Gabriele	D24/209
D850,003 S *	5/2019	Chen	D28/44.1
D858,745 S *	9/2019	Kurgan	D24/110
D860,534 S *	9/2019	Huang	D28/44.1

D872,362 S *	1/2020	Long	D28/44.1
D899,688 S *	10/2020	Li	D28/44.1
D901,774 S *	11/2020	Liu	D28/44.1
D904,634 S *	12/2020	Sedic	D24/209
D905,335 S *	12/2020	Kling	D28/44.1
D924,206 S *	7/2021	Yoon	D14/218
2015/0209108 A1 *	7/2015	Kim	A61B 18/203 606/9

OTHER PUBLICATIONS

Laser Hair Removal for Women by MYWIN, www.amazon.com, 1 page, downloaded Aug. 31, 2021 (Year: 2021).*

* cited by examiner

Primary Examiner — Jennifer Rivard

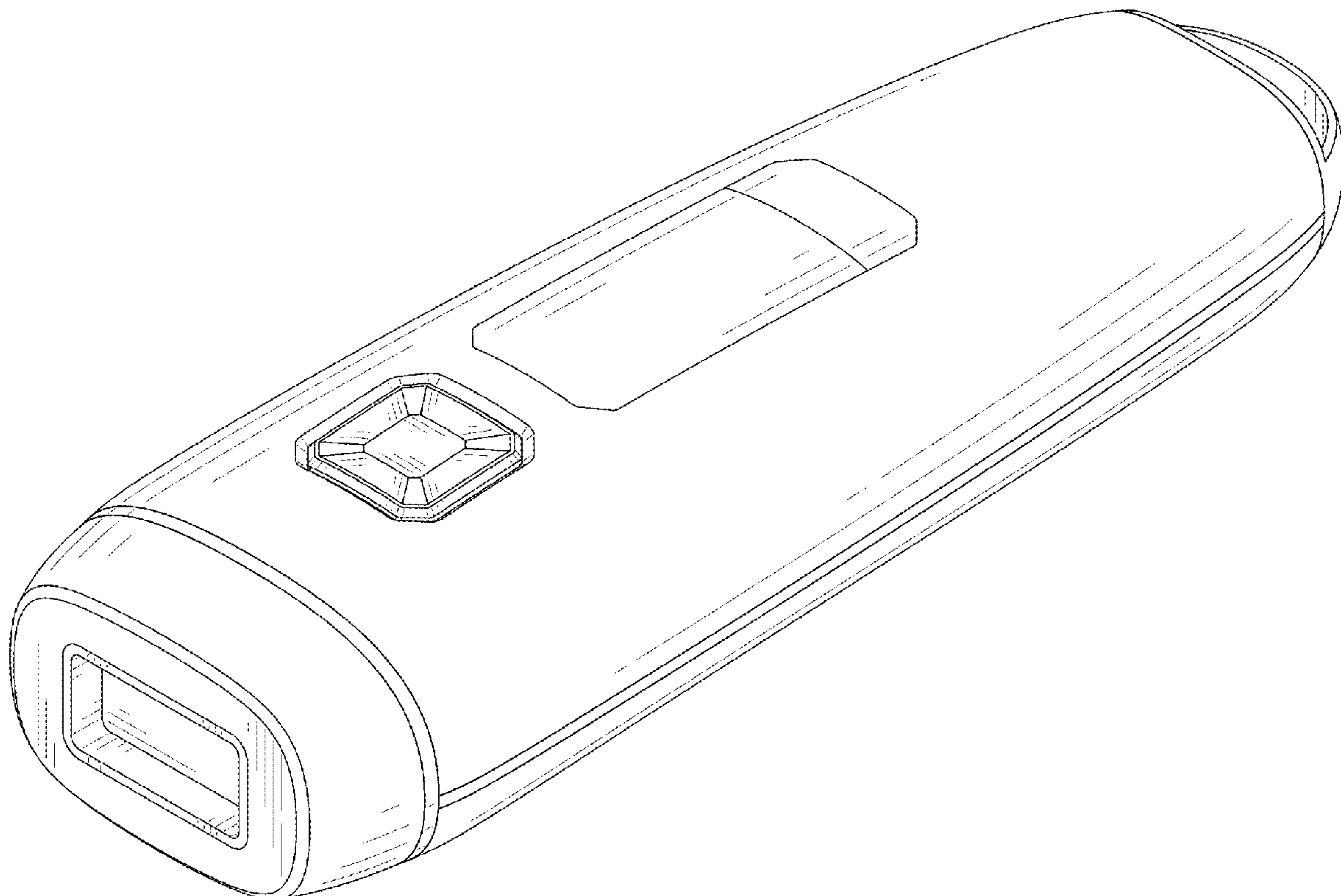
(57) **CLAIM**

The ornamental design for a hair remover, as shown and described.

DESCRIPTION

FIG. 1 is a perspective view of a hair remover showing my new design;
FIG. 2 is another perspective view thereof;
FIG. 3 is a front elevational view thereof;
FIG. 4 is a rear elevational view thereof;
FIG. 5 is a left side elevational view thereof;
FIG. 6 is a right side elevational view thereof;
FIG. 7 is a top plan view thereof; and,
FIG. 8 is a bottom plan view thereof.
The broken lines in the drawings depict portions of the hair remover that form no part of the claimed design.

1 Claim, 8 Drawing Sheets



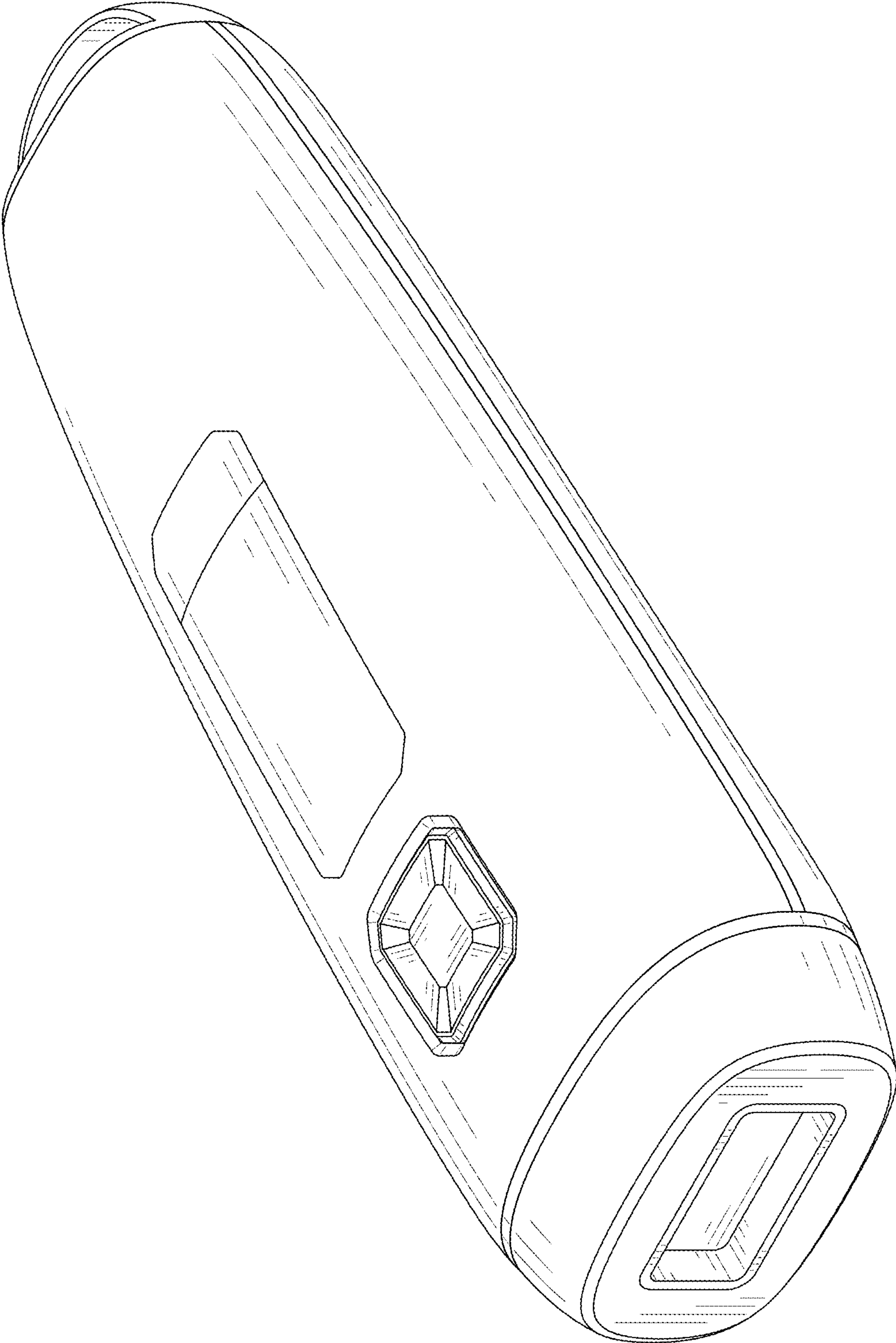


FIG. 1

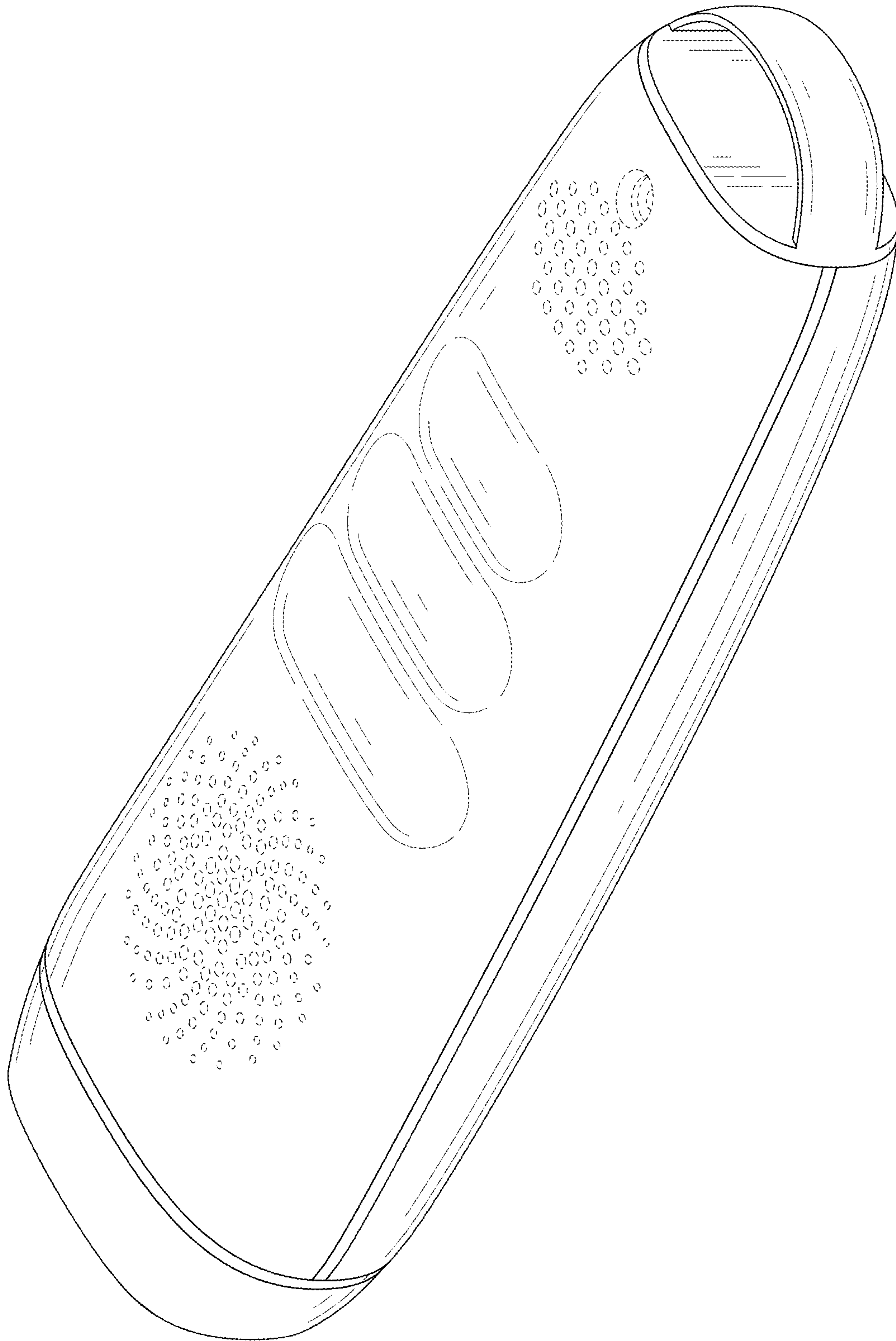


FIG. 2

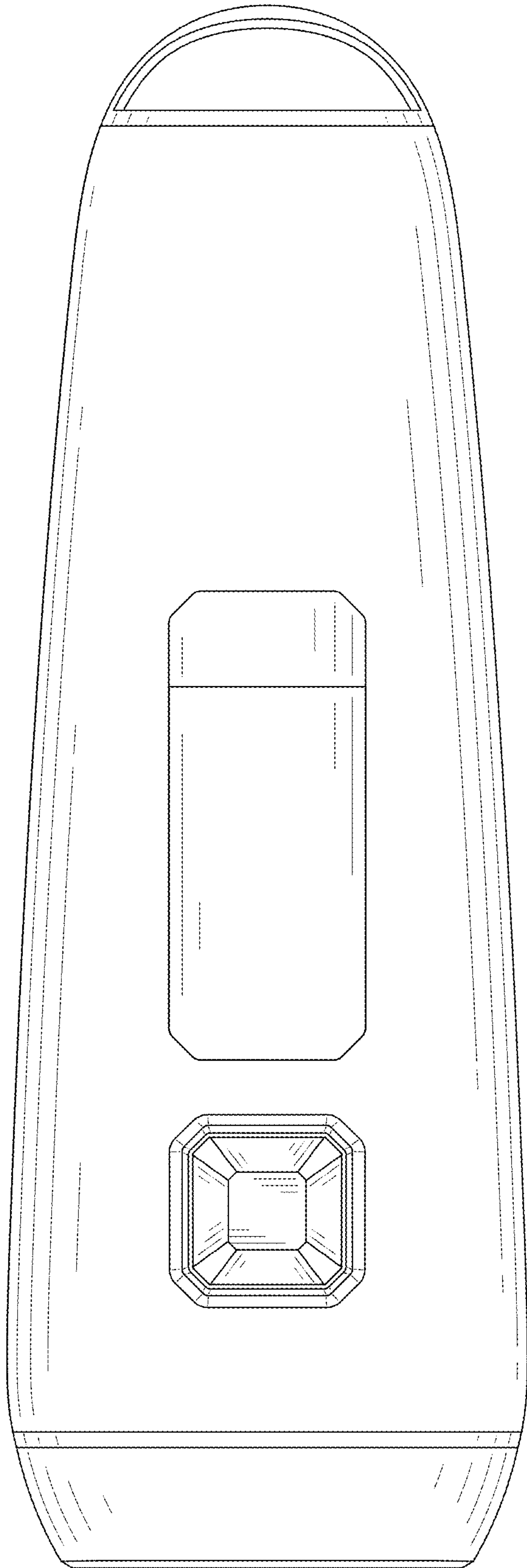


FIG. 3

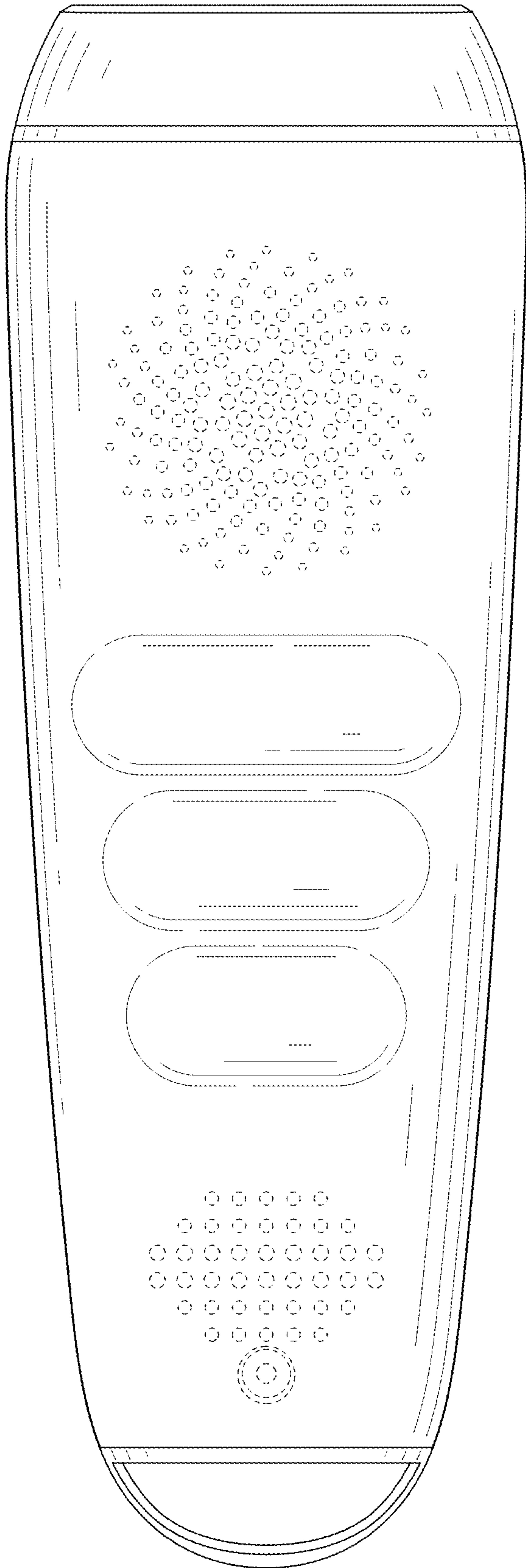


FIG. 4

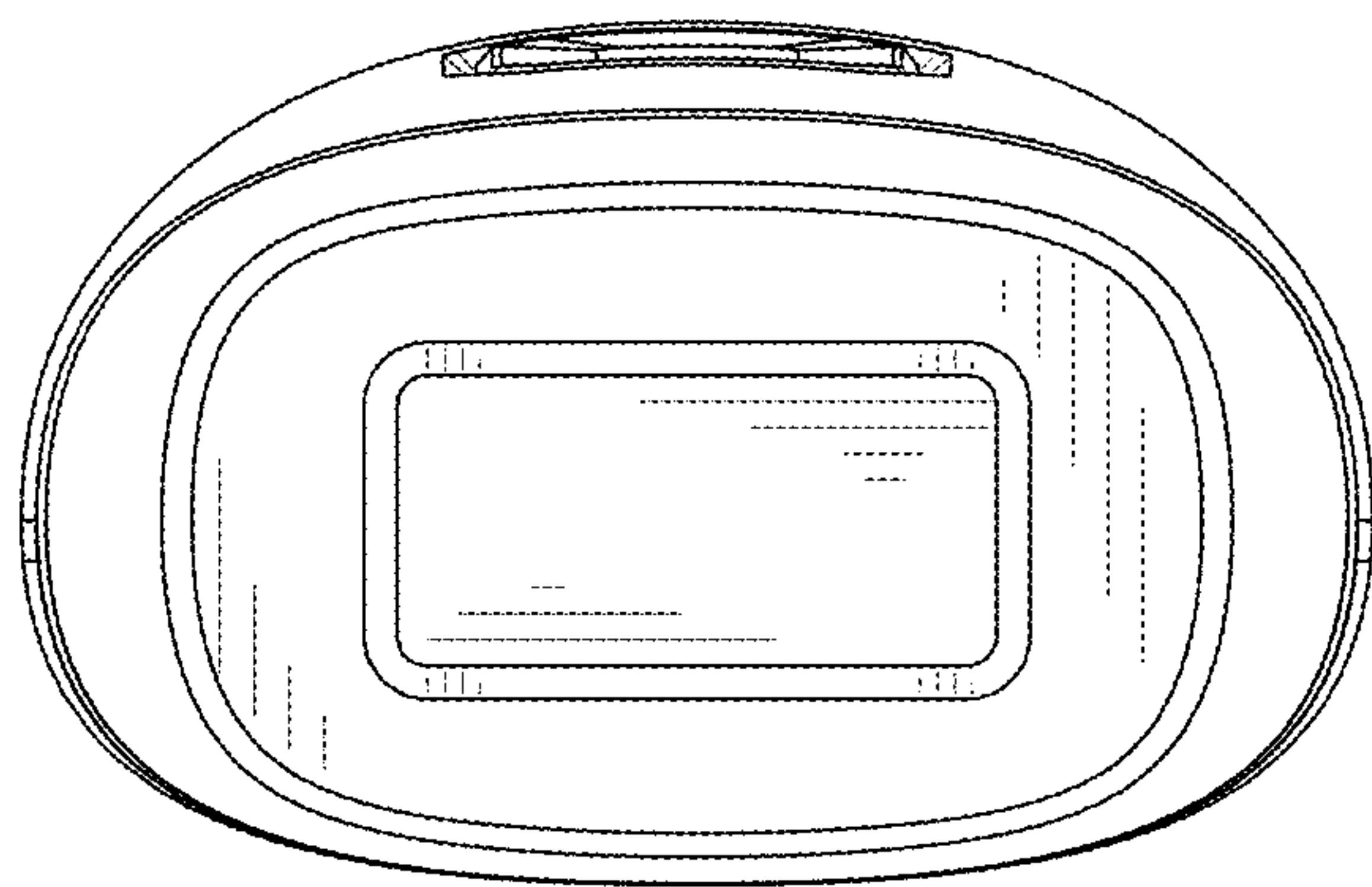


FIG. 5

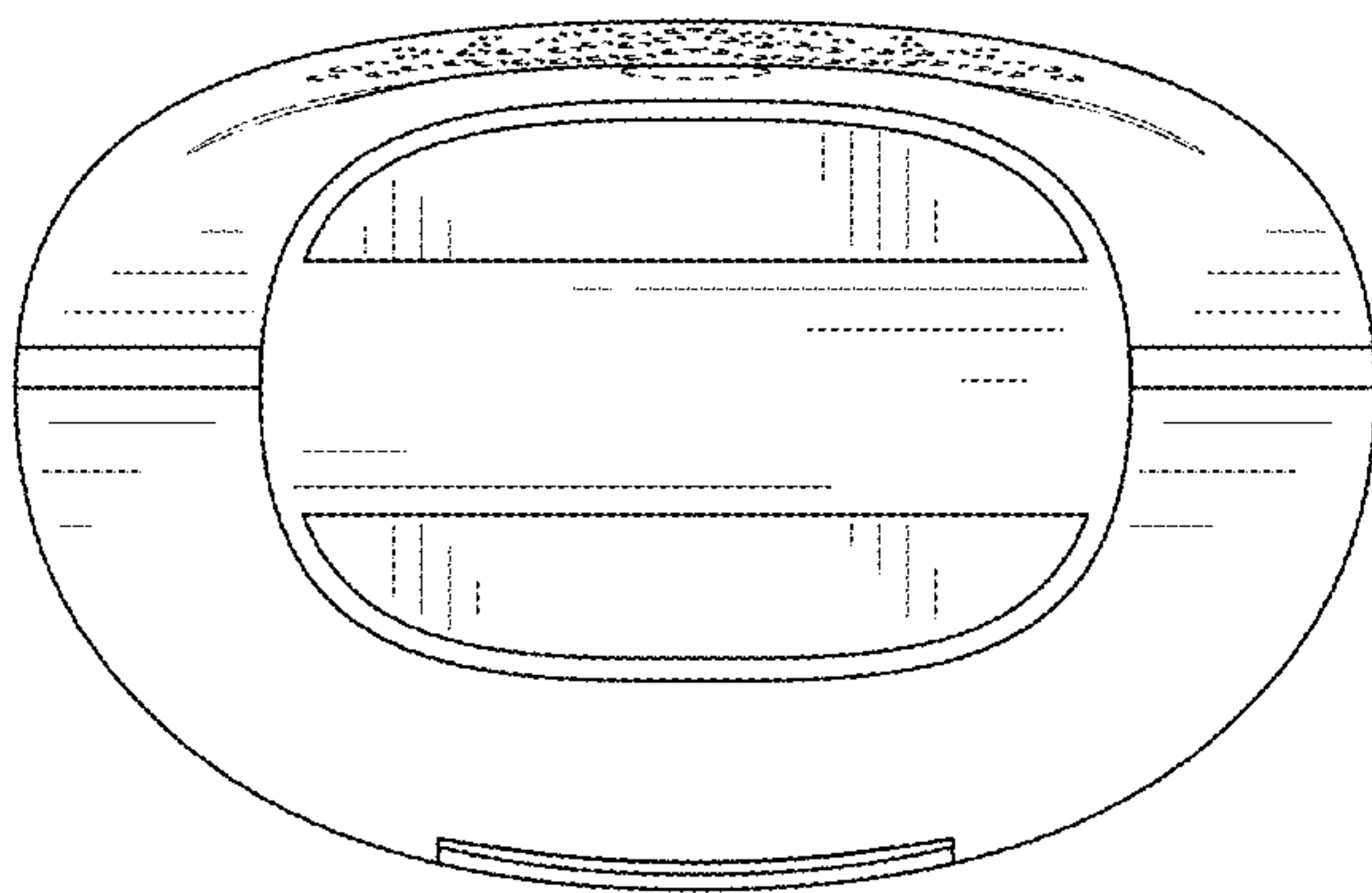


FIG. 6

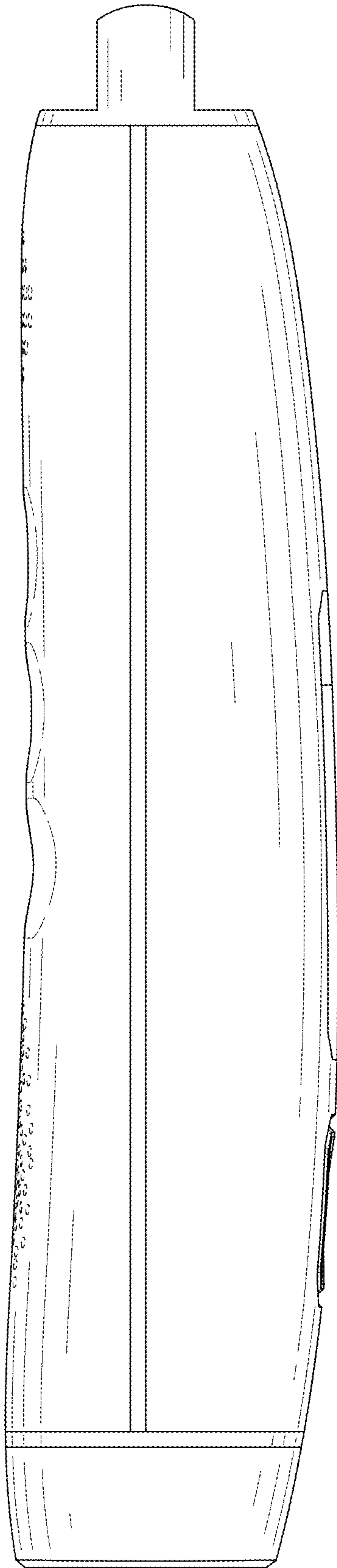


FIG. 7

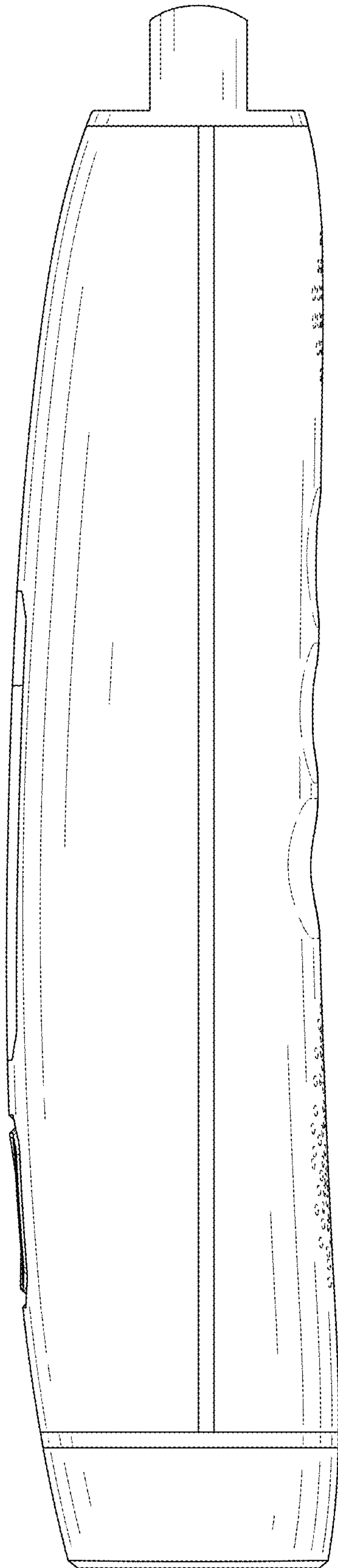


FIG. 8