



US00D939140S

(12) **United States Design Patent** (10) **Patent No.:** **US D939,140 S**
Luo (45) **Date of Patent:** **** Dec. 21, 2021**

(54) **HAIR CLIP**
(71) Applicant: **Hao Luo**, Shenzhen (CN)
(72) Inventor: **Hao Luo**, Shenzhen (CN)
(**) Term: **15 Years**
(21) Appl. No.: **29/760,129**
(22) Filed: **Nov. 30, 2020**
(51) **LOC (13) Cl.** **28-03**
(52) **U.S. Cl.**
USPC **D28/40**
(58) **Field of Classification Search**
USPC D28/39, 40, 42, 43
CPC . A45D 8/00; A45D 8/002; A45D 8/14; A45D
8/16; A45D 8/18; A45D 8/20; A45D
8/22; A45D 8/24; A45D 8/30
See application file for complete search history.

D684,317 S * 6/2013 Batres D28/40
D712,093 S 8/2014 Hsu
D776,346 S 1/2017 Magnani
D814,112 S * 3/2018 Hsu D28/40
D831,273 S 10/2018 Sze

* cited by examiner

Primary Examiner — Zenia I Bennett
(74) *Attorney, Agent, or Firm* — Rumit Ranjit Kanakia

(56) **References Cited**
U.S. PATENT DOCUMENTS

D381,119 S * 7/1997 Chang D28/25
D381,767 S * 7/1997 Chang D28/25
D483,151 S * 12/2003 Walker D28/40
D483,524 S * 12/2003 Walker D28/40
D486,605 S * 2/2004 Walker D28/40
D488,258 S * 4/2004 Walker D28/40
D541,983 S 5/2007 Au
D580,104 S * 11/2008 Pichon D28/39
D583,991 S 12/2008 Pichon
D642,738 S 8/2011 Hsu

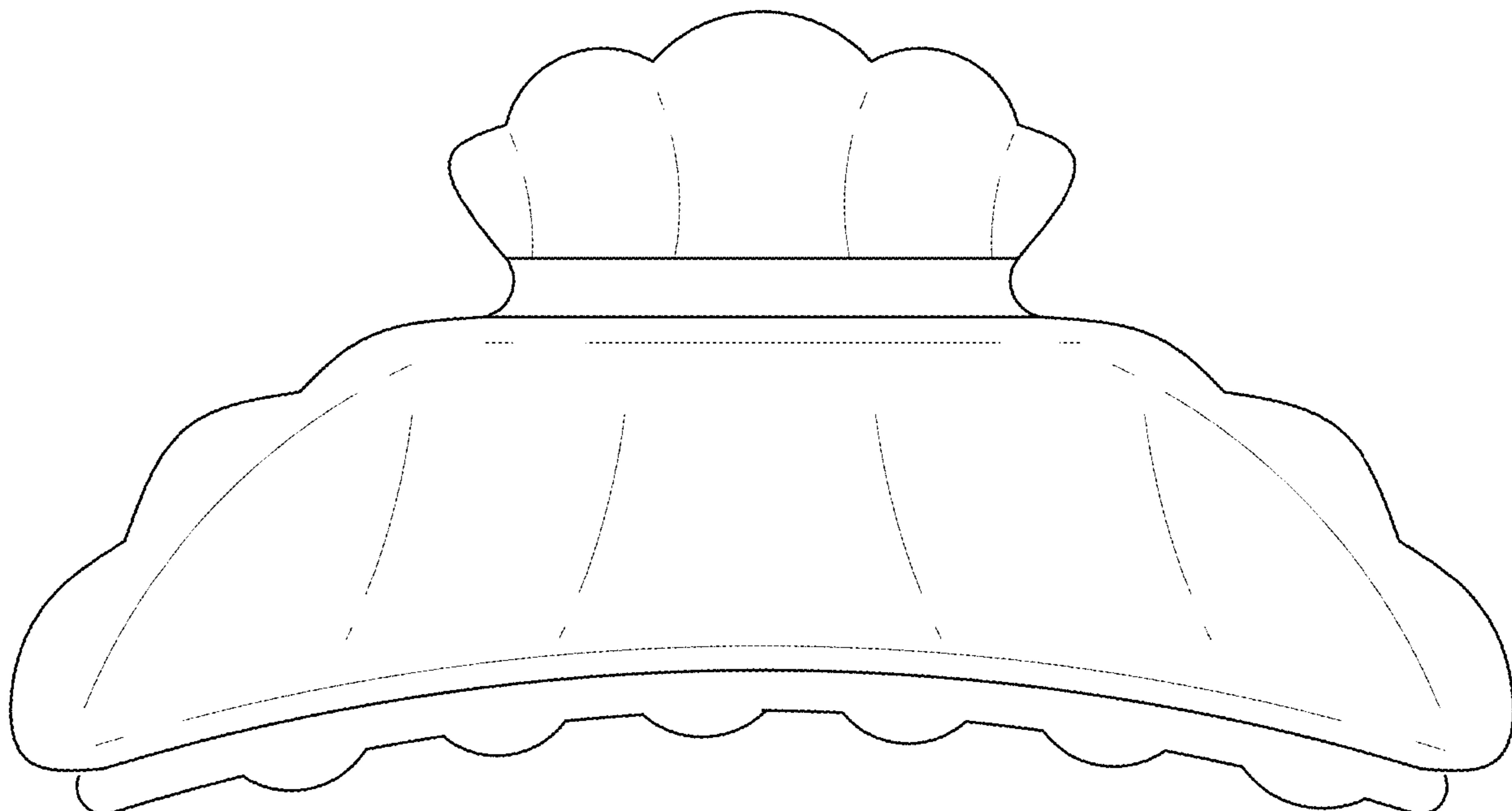
(57) **CLAIM**

I claim the ornamental design for a hair clip, as shown and described.

DESCRIPTION

FIG. 1 is a Perspective view of a hair clip showing my new design;
FIG. 2 is Front view thereof;
FIG. 3 is Back view thereof;
FIG. 4 is a Right-side view thereof;
FIG. 5 is a Left-side view thereof;
FIG. 6 is a Top view thereof; and,
FIG. 7 is a Bottom view thereof.
The broken lines in the drawing depicting the screw in FIG. 1, the circular elements on the pivot in FIGS. 4 and 5 and the circular element in FIG. 6 are for illustrative purposes only and form no part of the claimed design.

1 Claim, 4 Drawing Sheets



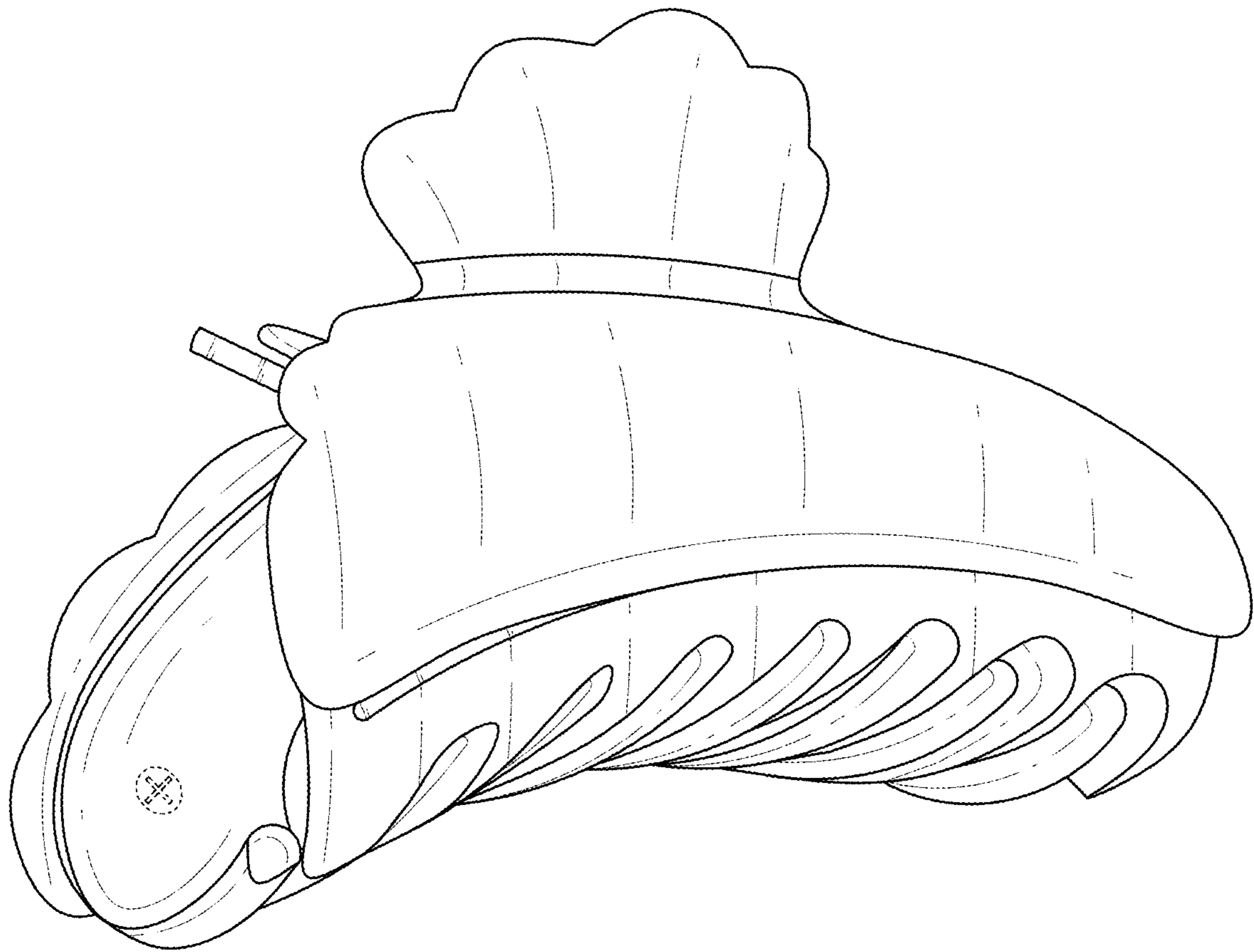


FIG. 1

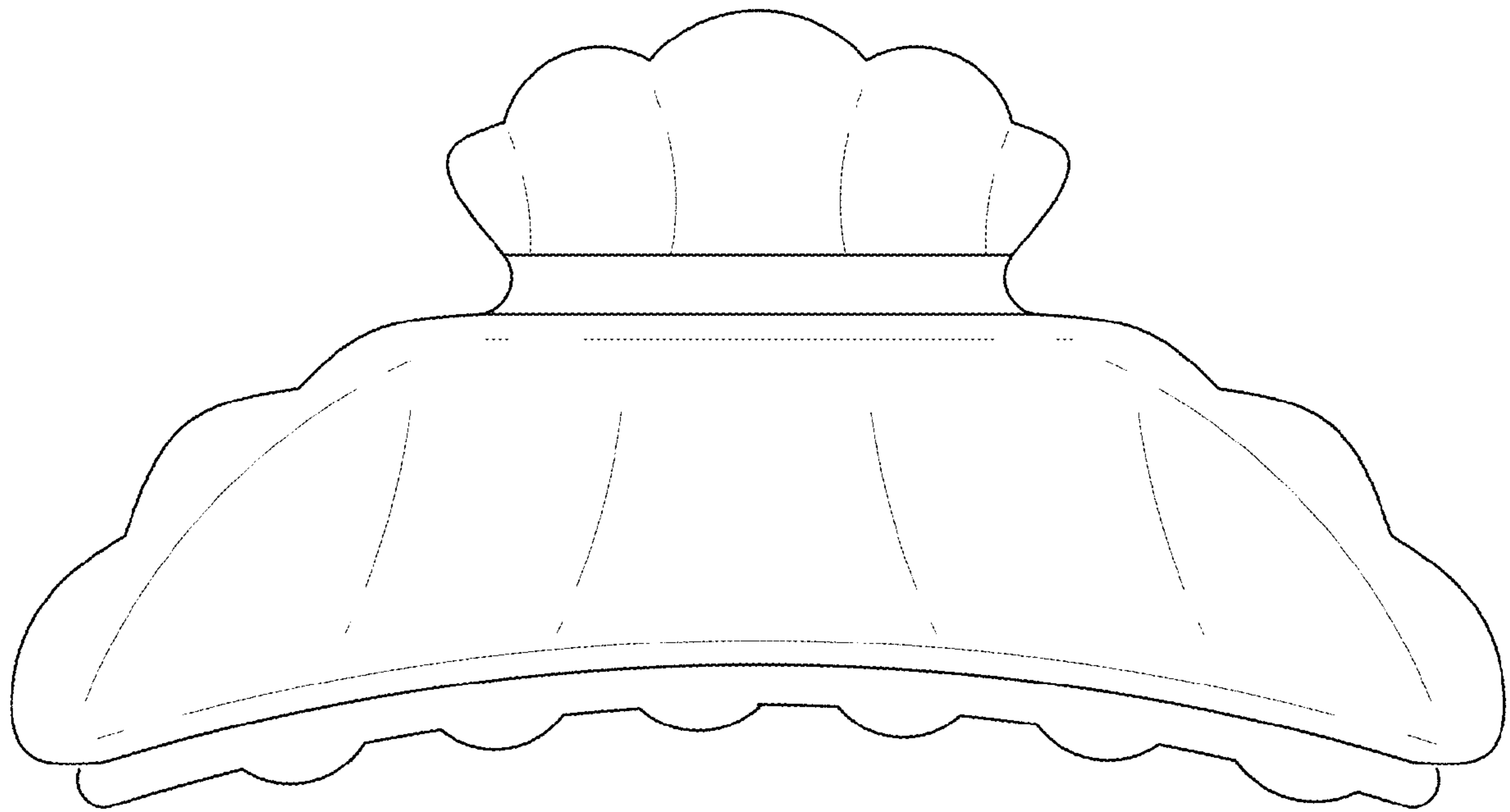


FIG. 2

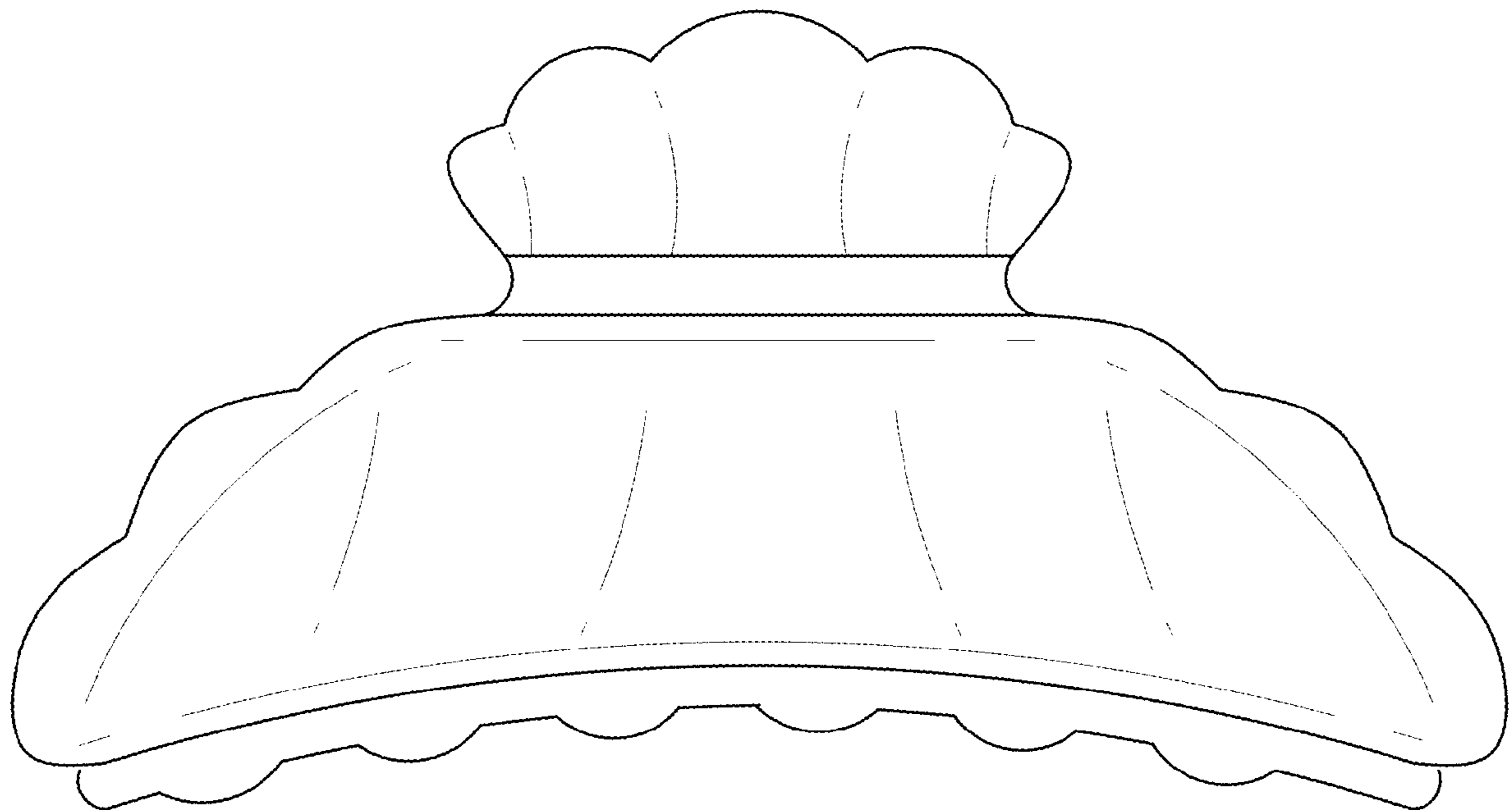


FIG. 3

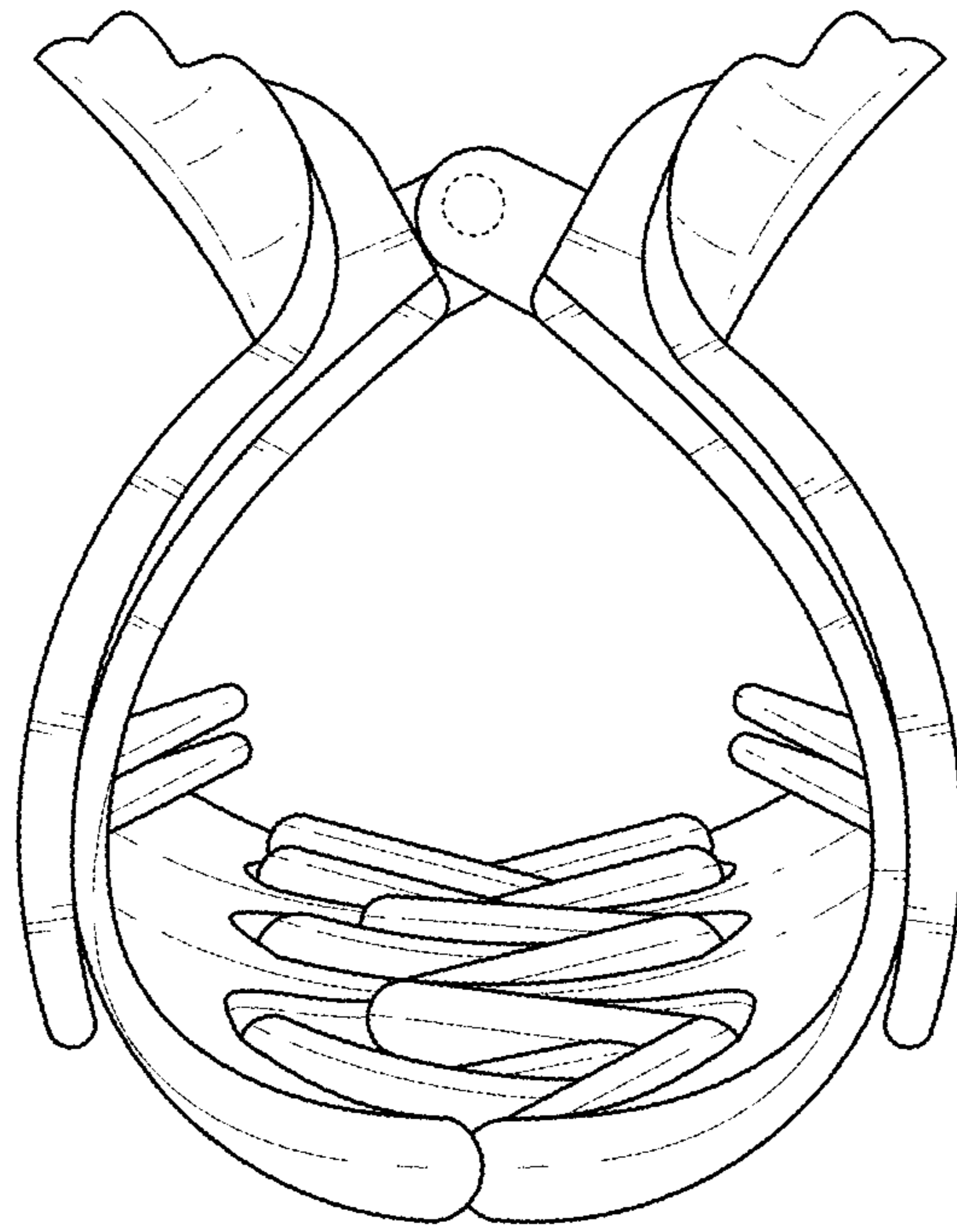


FIG. 4

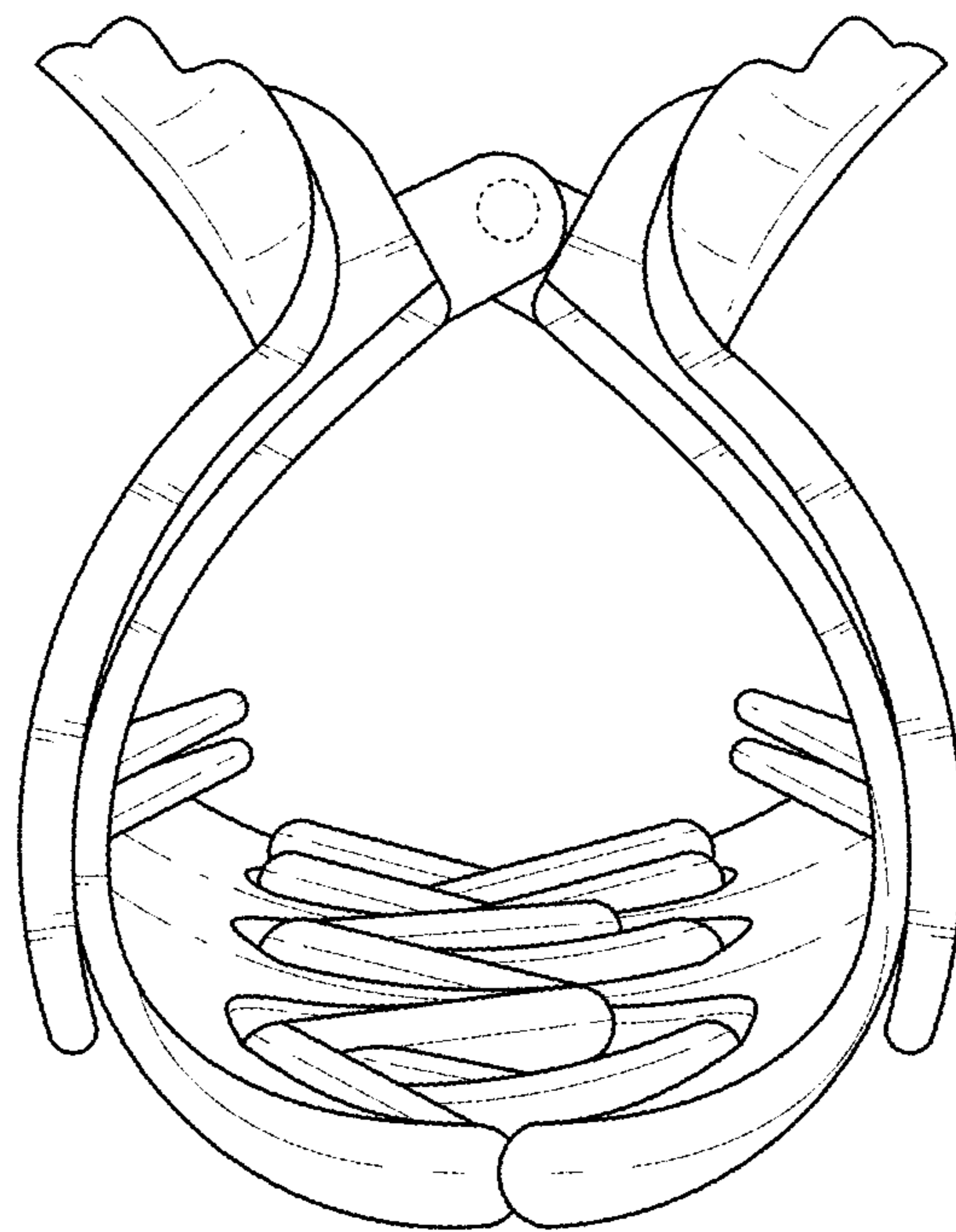


FIG. 5

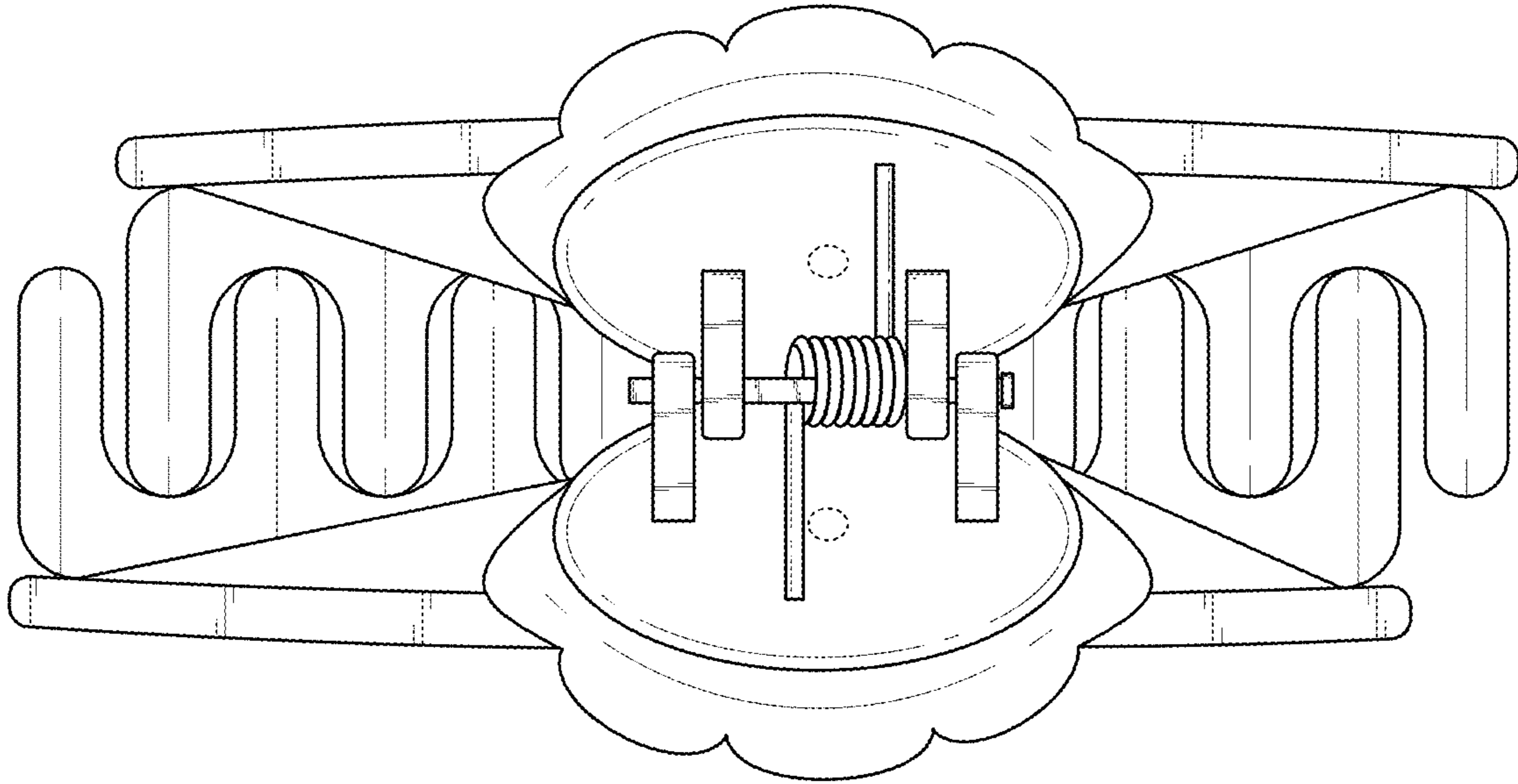


FIG. 6

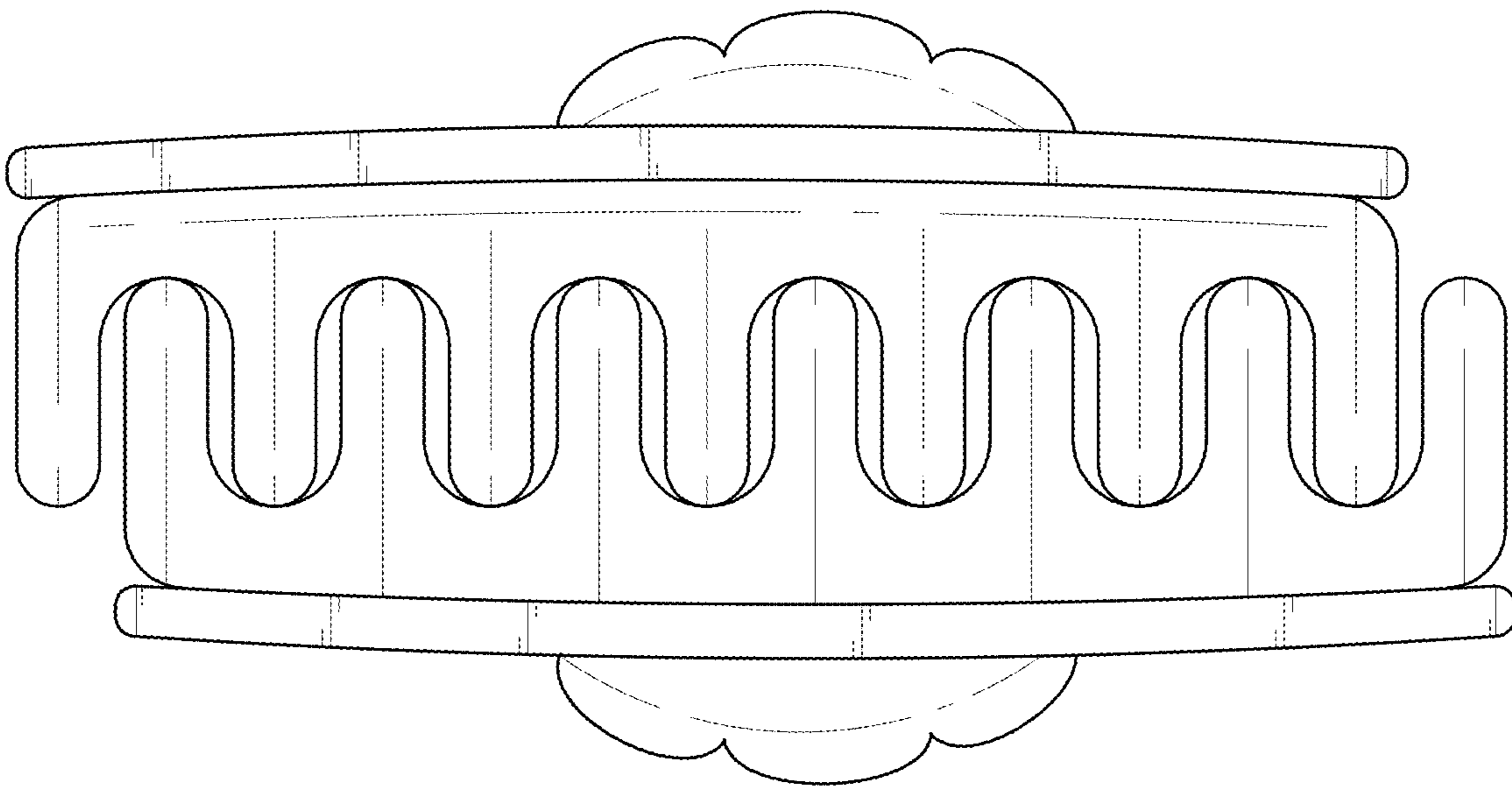


FIG. 7