



US00D939139S

(12) **United States Design Patent** (10) **Patent No.:** **US D939,139 S**
Waters (45) **Date of Patent:** **** Dec. 21, 2021**

(54) **COMPACT FLASHLIGHT**
(71) Applicant: **Waters Industries, Inc.**, West Dundee, IL (US)

D485,926 S 1/2004 Campman
6,695,459 B2 2/2004 Collins
6,793,366 B2 9/2004 Chun
6,874,907 B2 4/2005 Liao
(Continued)

(72) Inventor: **Michael Waters**, Aspen, CO (US)
(73) Assignee: **Waters Industries, Inc.**, West Dundee, IL (US)

FOREIGN PATENT DOCUMENTS

GB 313925 A 2/1930
GB 561575 A 5/1944

(**) Term: **15 Years**

OTHER PUBLICATIONS

(21) Appl. No.: **29/686,986**

amazon.com: Flateye Wink Mini LED Flashlight. Date posted Sep. 25, 2018 [site visited Dec. 30, 2020], Retrieved from internet, <https://www.amazon.com/FLATEYE-WINK-Mini-LED-Flashlight/dp/B07HFTBQ2Y/ref=sr_1_1?crd=141OFWKABUBWH&dchild=1&keywords=flat+eye+wink&qid=. . .> (Year: 2018).*

(22) Filed: **Apr. 9, 2019**

(51) **LOC (13) Cl.** **27-99**

(52) **U.S. Cl.**
USPC **D27/196**

(58) **Field of Classification Search**
USPC D26/37-38, 42, 46; D9/415, 424
CPC F21L 4/00; F21L 4/005; F21L 4/02; F21L 4/022; F21L 4/025; F21L 4/027; F21L 4/045; F21L 4/08; F21L 4/085; F21L 14/02; F21L 2003/00
See application file for complete search history.

(Continued)

Primary Examiner — Michelle E. Wilson
(74) *Attorney, Agent, or Firm* — Fitch, Even, Tabin & Flannery LLP

(56) **References Cited**

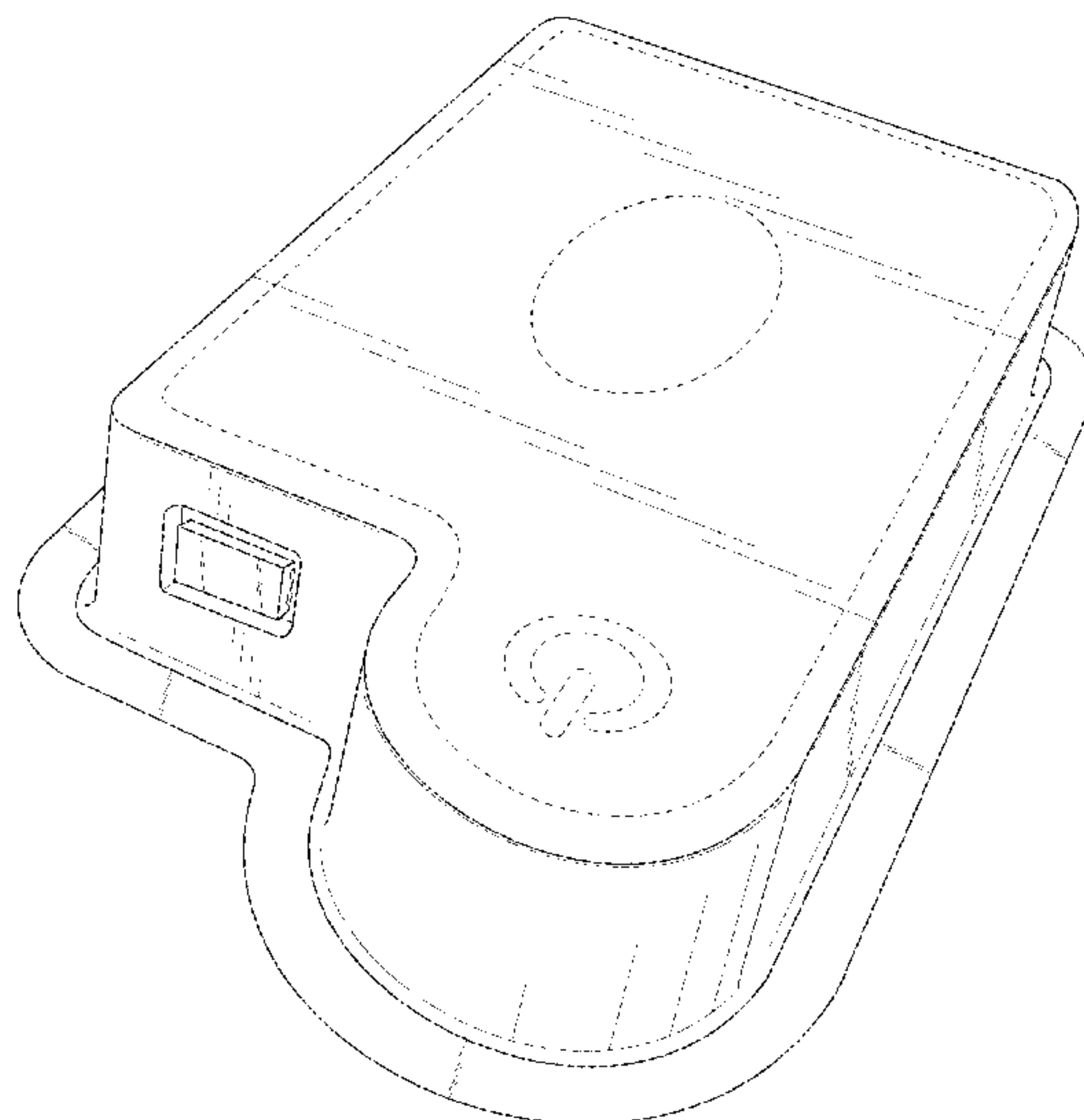
U.S. PATENT DOCUMENTS

1,360,477 A 11/1920 Wachtel
2,401,349 A 6/1946 Hedge
3,504,170 A 3/1970 Thompson
D334,513 S * 4/1993 DeGrow D7/391
D398,844 S * 9/1998 Oberloier D9/415
5,806,960 A 9/1998 Chien
5,893,631 A * 4/1999 Padden F21L 15/06
362/119
6,039,456 A 3/2000 Chabria
D427,061 S * 6/2000 Niksich D9/415
6,168,288 B1 1/2001 St Claire
D439,688 S * 3/2001 Suzuki D26/37
D453,580 S * 2/2002 Lynch D26/46
6,511,202 B1 1/2003 Henry
D485,631 S 1/2004 Campman
D485,632 S 1/2004 Campman

DESCRIPTION

FIG. 1 is a perspective view of a compact flashlight, showing my new design;
FIG. 2 is a top plan view thereof;
FIG. 3 is a bottom plan view thereof;
FIG. 4 is a left side elevational view thereof;
FIG. 5 is a right side elevational view thereof;
FIG. 6 is a front elevational view thereof; and,
FIG. 7 is a rear elevational view thereof.
Throughout the drawings the broken lines depict portions of the compact flashlight that form no part of the claimed design.

1 Claim, 5 Drawing Sheets



(56)

References Cited

U.S. PATENT DOCUMENTS

6,893,142 B2 5/2005 Collins
 7,151,433 B2 12/2006 Chun
 7,175,318 B2* 2/2007 Booty, Jr. F21V 15/01
 362/199
 7,185,997 B2 3/2007 Simoni
 7,214,952 B2 5/2007 Klipstein
 D571,492 S * 6/2008 Lee D26/37
 D571,941 S * 6/2008 Lee D26/37
 7,394,220 B2 7/2008 Huang
 7,490,951 B2 2/2009 Klipstein
 D587,830 S * 3/2009 Ma D26/37
 D595,875 S * 7/2009 Irvine D26/24
 7,604,371 B2* 10/2009 Bushee A62B 3/005
 200/60
 D606,856 S * 12/2009 Ginsberg D9/424
 7,651,239 B2 1/2010 Spartano
 D615,676 S * 5/2010 Lee D26/37
 7,950,818 B2 5/2011 Klipstein
 7,959,317 B2 6/2011 Spartano
 D657,484 S 4/2012 Wu
 D657,650 S * 4/2012 Rubin D8/105
 D673,036 S * 12/2012 Wolf D9/420
 8,388,167 B2 3/2013 Klipstein
 D699,378 S 2/2014 DiLuciano
 8,851,697 B2* 10/2014 Quittner F21V 21/0885
 362/103
 D729,095 S 5/2015 Chiang
 9,057,490 B2 6/2015 Sharrah
 9,074,739 B2 7/2015 Deighton
 9,121,556 B1 9/2015 McDermott
 D753,855 S * 4/2016 Cacciabeve D26/37
 D777,362 S * 1/2017 Killion D26/46
 9,583,028 B2* 2/2017 Killion F21L 4/027
 D805,666 S * 12/2017 Nguyen D26/37
 9,943,641 B2* 4/2018 Morrison B65D 25/10
 D824,557 S * 7/2018 Waters D26/46
 D827,890 S * 9/2018 Mullani D26/37
 D828,939 S * 9/2018 Bo D26/38
 D829,354 S * 9/2018 Cacciabeve D26/37

10,069,318 B2 9/2018 Waters
 10,775,001 B1* 9/2020 Waters F21V 23/0414
 2005/0122713 A1* 6/2005 Hutchins F21L 4/00
 362/205
 2005/0152137 A1* 7/2005 Opolka F21V 21/0885
 362/184
 2005/0162127 A1 7/2005 Hutchins
 2005/0231941 A1* 10/2005 Huang F21V 33/0052
 362/208
 2006/0007676 A1 1/2006 Song
 2006/0104078 A1* 5/2006 Peng G08B 5/004
 362/554
 2006/0170393 A1 8/2006 Yang
 2006/0176685 A1 8/2006 Galli
 2007/0159816 A1 7/2007 Bayat et al.
 2008/0198615 A1 8/2008 Klipstein
 2011/0007502 A1 1/2011 Chen
 2011/0211351 A1 9/2011 Van De Ven et al.
 2015/0330618 A1 11/2015 McDermott
 2016/0091153 A1 3/2016 McLennan et al.
 2017/0009972 A1 1/2017 Walker et al.
 2017/0299165 A1 10/2017 Shoulders

OTHER PUBLICATIONS

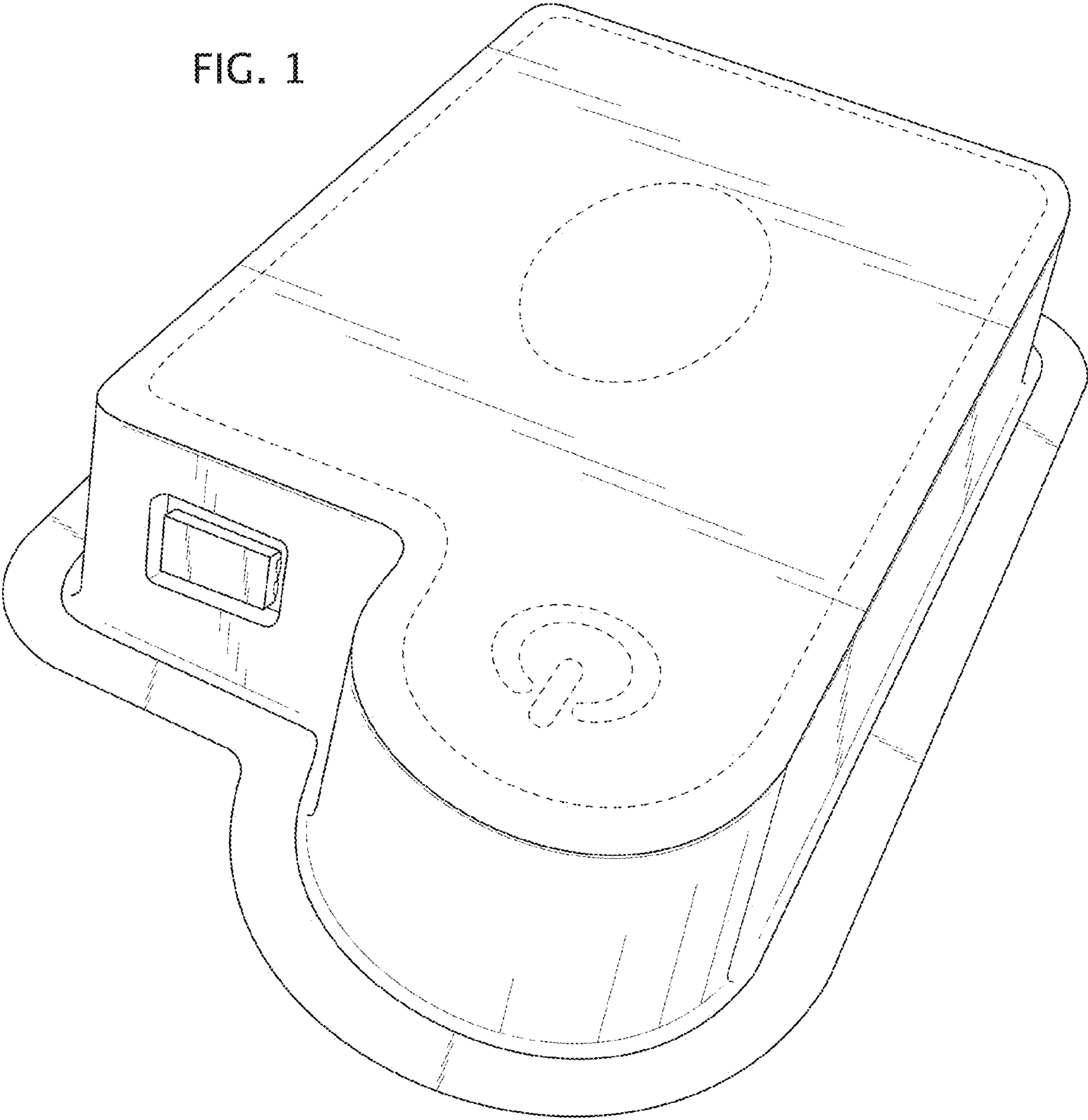
walmart.com: Flateye Wink Mini LED Flashlight. Undated online product page. Retrieved on Dec. 30, 2020 from <<https://www.walmart.com/ip/4-pack-FLATEYE-WINK-Mini-LED-Flashlight-Lightweight-Super-Small-Super-Bright-Keychain-Style-Flashlight/751157787?wmlspartner=. . .>> (Year: 2020).*

homedepot.com: Flateye Wink Mini Led Flashlight. Undated online product page. Retrieved on Dec. 30, 2020 from <<https://www.homedepot.com/p/Panther-Vision-FLATEYE-WINK-Mini-Led-Flashlight-Lightweight-Super-Bright-Keychain-Style-Flashlight-4-Pack-WF-8254/307594443>> (Year: 2020).*

panthervision.com: Flateye Wink Mini LED Keychain-Style Flashlight. Undated online product page. Retrieved on Dec. 30, 2020 from <<https://www.panthervision.com/product/flateye-wink-mini-led-keychain-style-flashlight-2-pack/>> (Year: 2020).*

* cited by examiner

FIG. 1



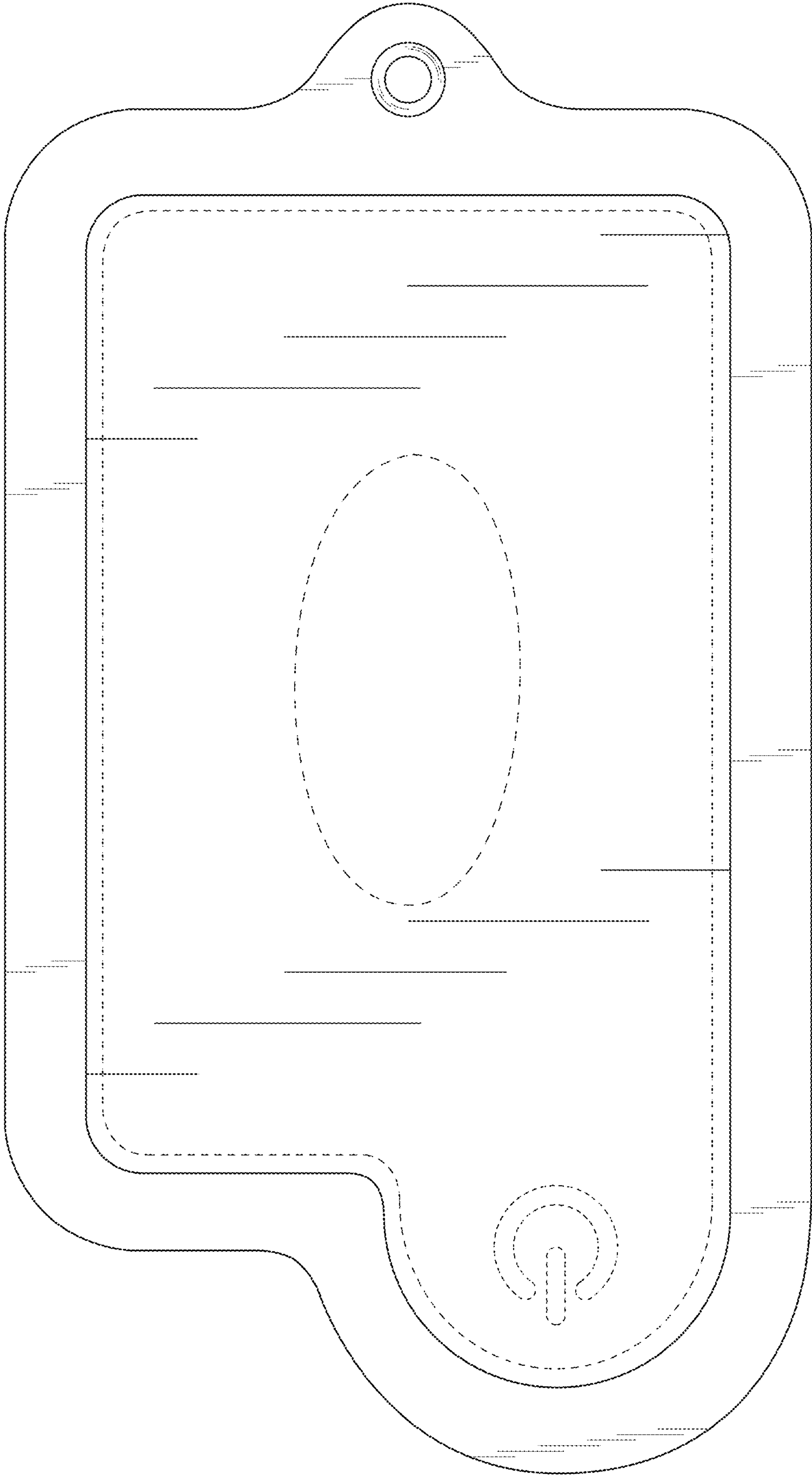


FIG. 2

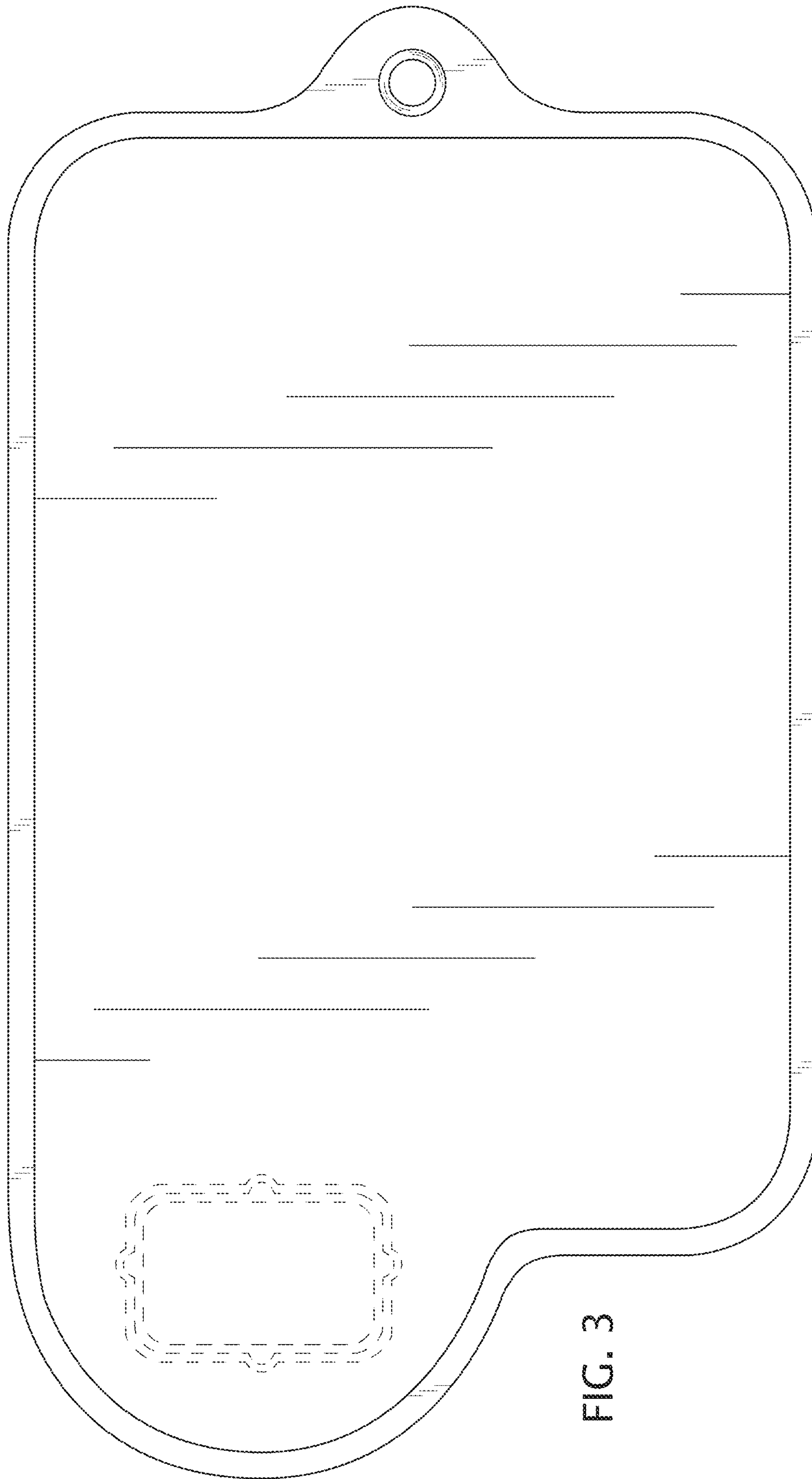


FIG. 3

FIG. 4

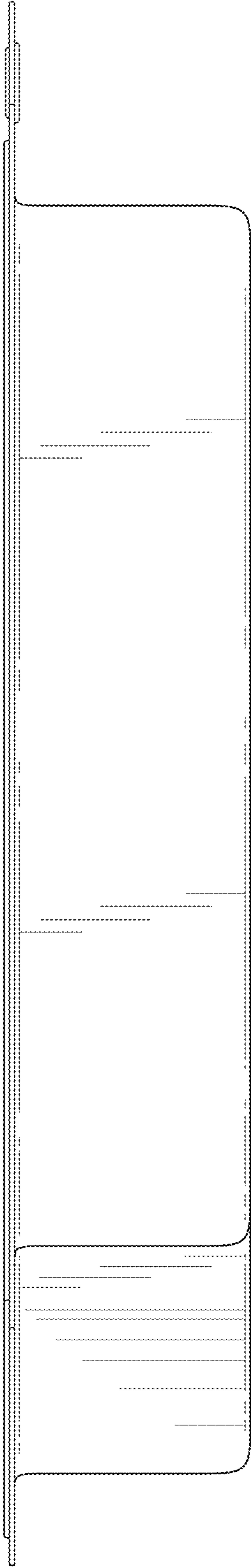


FIG. 5

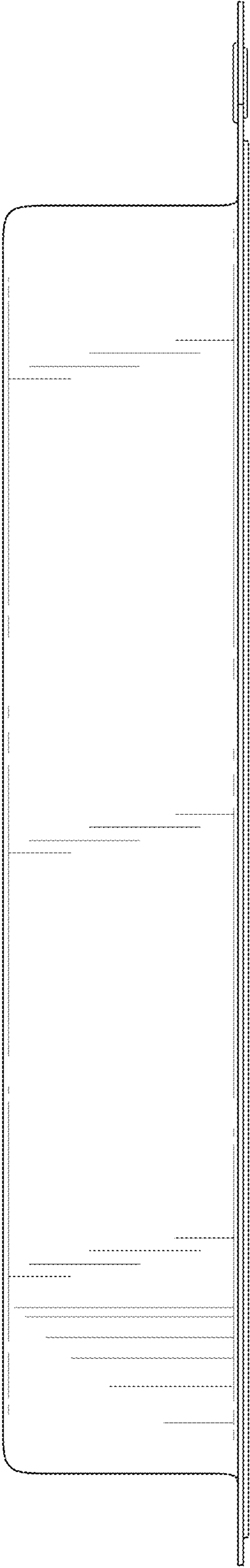


FIG. 6

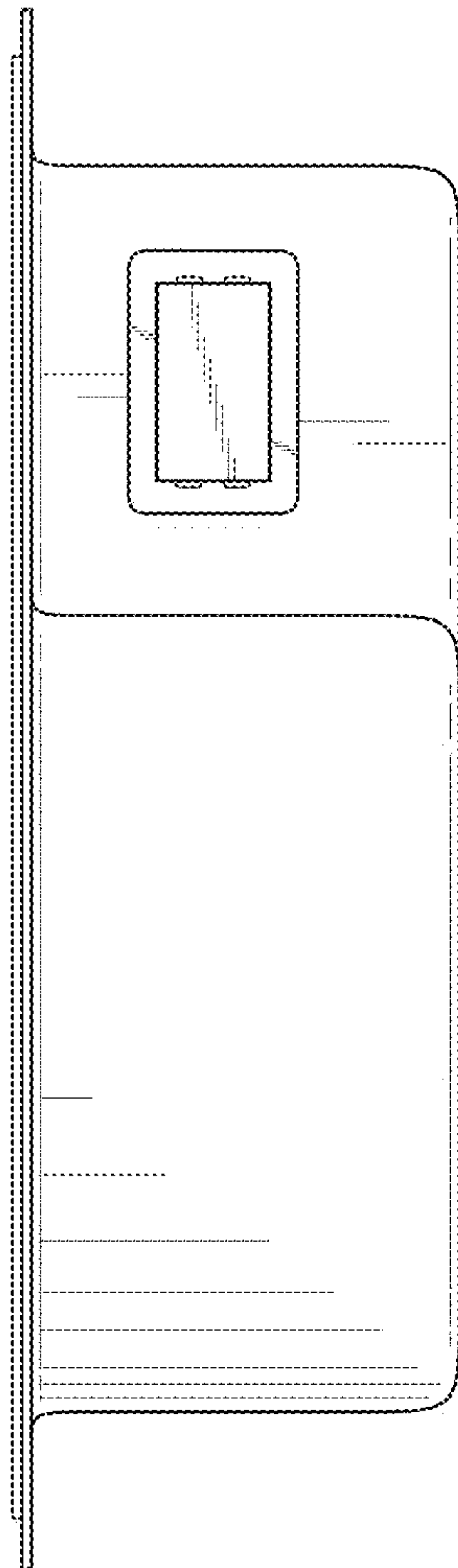


FIG. 7

