

US00D939138S

(12) **United States Design Patent** (10) **Patent No.:** **US D939,138 S**
Ishii (45) **Date of Patent:** **** Dec. 21, 2021**

(54) **TOBACCO SUCTION TOOL**

(71) Applicant: **Japan Tobacco Inc.**, Tokyo (JP)

(72) Inventor: **Seiki Ishii**, Kyoto (JP)

(73) Assignee: **Japan Tobacco Inc.**

(**) Term: **15 Years**

(21) Appl. No.: **29/724,925**

(22) Filed: **Feb. 20, 2020**

(30) **Foreign Application Priority Data**

Aug. 27, 2019 (JP) 2019-018995

(51) **LOC (13) Cl.** **27-02**

(52) **U.S. Cl.**

USPC **D27/162**

(58) **Field of Classification Search**

USPC D27/100, 101, 139, 141, 162, 163, 164,
D27/165, 166, 167, 168, 169, 170, 171,

(Continued)

(56) **References Cited**

U.S. PATENT DOCUMENTS

D292,324 S * 10/1987 Decker D27/170
D720,095 S * 12/2014 Alima D27/163

(Continued)

FOREIGN PATENT DOCUMENTS

CN 201530312961 * 1/2016
CN 201930390884.X * 2/2020

(Continued)

OTHER PUBLICATIONS

Vladdin Chopin. By Vaping With Vic. Dated Aug. 31, 2020. Found
online [Mar. 11, 2021]. <https://www.youtube.com/watch?v=FaO37Mwj6JU> (Year: 2020).*

(Continued)

Primary Examiner — Marissa J Cash
Assistant Examiner — William B Melliar
(74) *Attorney, Agent, or Firm* — Lerner, David,
Littenberg, Krumholz & Mentlik, LLP

(57) **CLAIM**

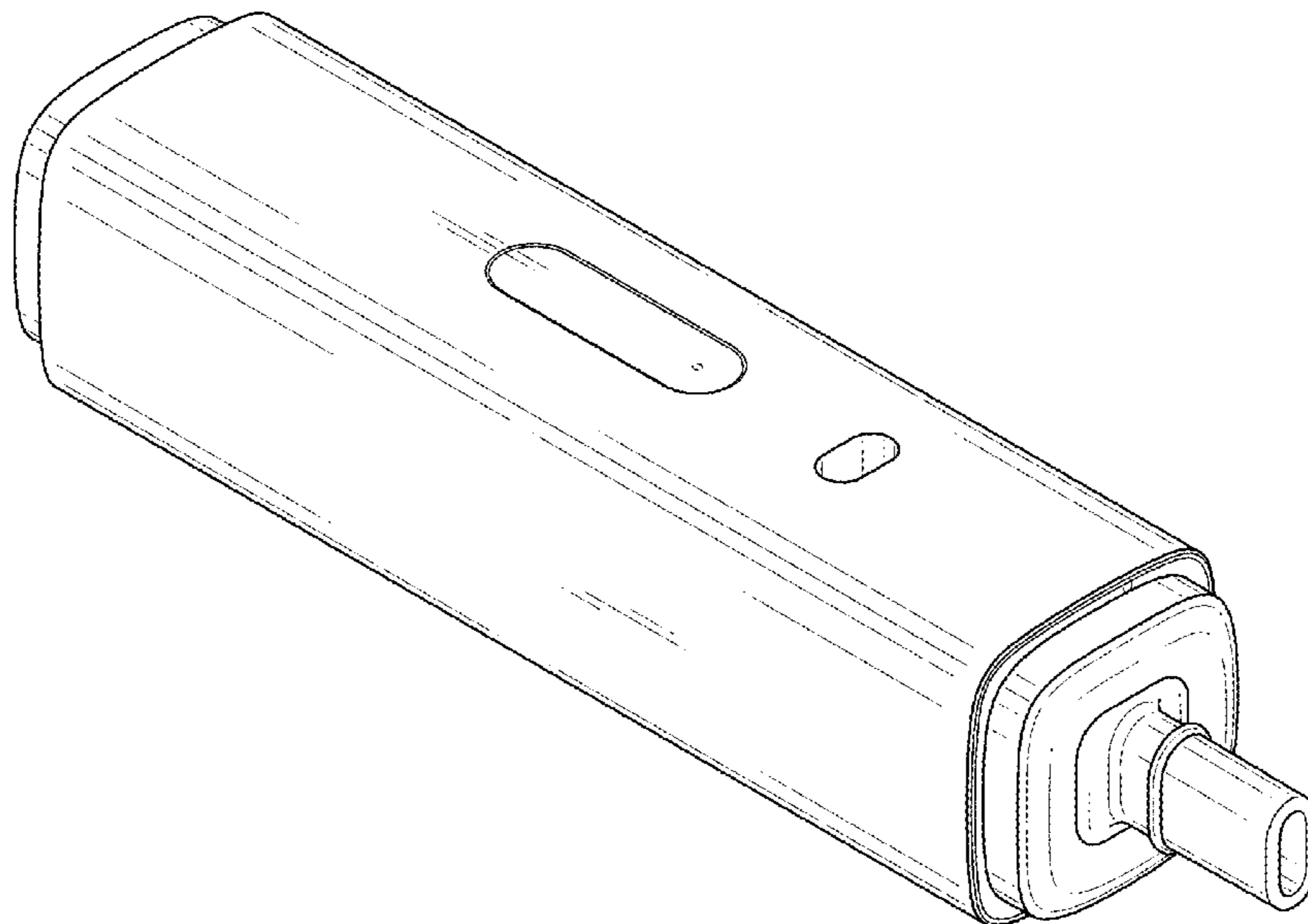
The ornamental design for a tobacco suction tool, as shown and described.

DESCRIPTION

FIG. 1 is a front perspective view of a tobacco suction tool, according to our new design;
FIG. 2 is a front elevation view thereof;
FIG. 3 is a rear elevation view thereof;
FIG. 4 is a right side elevation view thereof;
FIG. 5 is a left side elevation view thereof;
FIG. 6 is a top plan view thereof;
FIG. 7 is a bottom plan view thereof;
FIG. 8 is a front perspective view thereof showing the tobacco suction tool in an environment of use; and,
FIG. 9 is an exploded perspective view of FIG. 8.

The broken lines shown in the drawings illustrate environmental structure or portions of the tobacco suction tool that form no part of claimed design. The interior portion of the tobacco suction tool shown in FIG. 9, as well as the portion of the mouthpiece of the tobacco suction tool only visible in the exploded view of FIG. 9 and shown in broken lines, illustrate portions of the tobacco suction tool that form no part of the claimed invention. The lid shown in broken lines in FIGS. 8-9, as well as the internal component only visible in the exploded view and shown entirely in broken lines in FIG. 9, are environmental only and form no part of the claimed design.

1 Claim, 9 Drawing Sheets



(58) **Field of Classification Search**

USPC D27/172, 173, 174, 175, 176, 177, 178,
D27/179, 180, 181, 182, 183, 184, 185,
D27/186, 187, 188, 189, 190, 191, 192,
D27/193, 194, 196; D23/360, 362;
D24/110, 110.4, 110.5, 110.6, 113
CPC A24F 40/10; A24F 40/40; A24F 40/46;
A24F 40/44; A24F 40/50; A24F 40/485;
A24F 40/60; A24F 40/90; A24F 40/53;
A24F 40/70; A24F 40/51; A24F 40/05;
A24F 40/48; A24F 40/57; A24F 40/65;
A24F 40/20; A24F 47/002; A24F 40/30;
A24F 40/95; A24F 47/004; A24F 13/14;
A24F 1/32; A24F 40/00; A24F 40/49;
A24F 42/60; A24F 7/04; A24F 9/16;
A24F 47/008; A24F 40/42; A24F 47/00;
A24F 15/015; A24F 1/02; A24F 2700/03;
A24F 40/465; A24F 47/006; A24F 7/02;
A24F 13/00; A24F 15/01; A24F 15/12;
A24F 15/14; A24F 15/18; A24F 40/85;
A24F 42/00; A24F 42/10; A24F 42/20;
A24F 7/00; A61M 11/005; A61M 11/042;
A61M 11/041; A61M 2205/8206; A61M
15/0021; A61M 11/001; A61M 11/02;
A61M 2202/064; A61M 11/00; A61M
15/0085; A61M 15/06; A61M 15/009;
A61M 15/025; A61M 15/00; A61M
15/0086; A61M 2016/0021; A61M 11/06;
A61M 15/0018; A61M 2205/3569; A61M
2205/52; A61M 2205/6045; A61M
2205/6054; A61M 2205/6072; A61M
2205/70; A61M 2205/8262; A61M
2206/14; A61M 2206/16; A61M 2206/18;
A61M 2207/00; A61M 2209/082; A61M
11/04; A61M 11/044; A61M 15/0001;
A61M 15/0008; A61M 15/0016; A61M
15/0036; A61M 15/0041; A61M 15/0043;
A61M 15/0045; A61M 15/0048; A61M
15/0066; A61M 15/02; A61M 16/0066;
A61M 16/0627; A61M 16/147; A61M
16/201; A61M 2016/0015; A61M
2202/062; A61M 2205/075; A61M
2205/123; A61M 2205/128; A61M
2205/21; A61M 2205/273; A61M
2205/276; A61M 2205/3306; A61M

2205/3372; A61M 2205/583; A61M
2205/75; A61M 2205/7545; A61M
2205/8237; A61M 2205/8268; A61M
2205/84; A61M 2209/06; A61M 2209/10;
A61M 2210/0612; A61M 2210/0618;
A61M 2210/1039; A61M 2250/00

See application file for complete search history.

(56)

References Cited

U.S. PATENT DOCUMENTS

D754,377 S * 4/2016 Nook D26/38
D760,645 S * 7/2016 Chen D13/103
D768,068 S * 10/2016 Chen D13/103
D798,499 S * 9/2017 Elhalwani D27/167
D805,248 S * 12/2017 Chen D27/170
D805,685 S * 12/2017 Lee D27/101
D806,942 S * 1/2018 Qiu D27/101
D822,896 S * 7/2018 Durand D27/101
D829,372 S * 9/2018 Huang D27/101
D834,744 S * 11/2018 Zhu D27/101
D846,492 S * 4/2019 Verleur D13/103
10,420,372 B2 * 9/2019 Suzuki A24F 47/006
D885,328 S * 5/2020 Bartell D13/103
D899,677 S * 10/2020 Liu D27/162
2017/0208858 A1 * 7/2017 Li H05B 3/04
2020/0196677 A1 * 6/2020 Liu A24F 40/40

FOREIGN PATENT DOCUMENTS

CN 202030191539.6 * 8/2020
CN 202030251530.X * 10/2020
CN 202030281231.0 * 12/2020
CN 202030358551.1 * 12/2020
KR 3020200045771 * 2/2021

OTHER PUBLICATIONS

RPM80 and RPM 80 Pro Pod Mods. By Matt From SMM. Dated Jan. 28, 2020. Found online [Mar. 11, 2021]. <https://www.youtube.com/watch?v=Q394RyQMMks> (Year: 2020).*

Wismec Motiv Pod Review. By Daily Vape TV. Dated May 23, 2017. Found online [Mar. 11, 2021]. <https://www.youtube.com/watch?v=k4dZENzEjcU> (Year: 2017).*

SXMini Mi Class Pod Based System Review and Rundown. By Jai Haze. Dated Feb. 17, 2019. Found online [Mar. 11, 2021]. <https://www.youtube.com/watch?v=D3C5nEXhTxs> (Year: 2019).*

* cited by examiner

FIG. 1

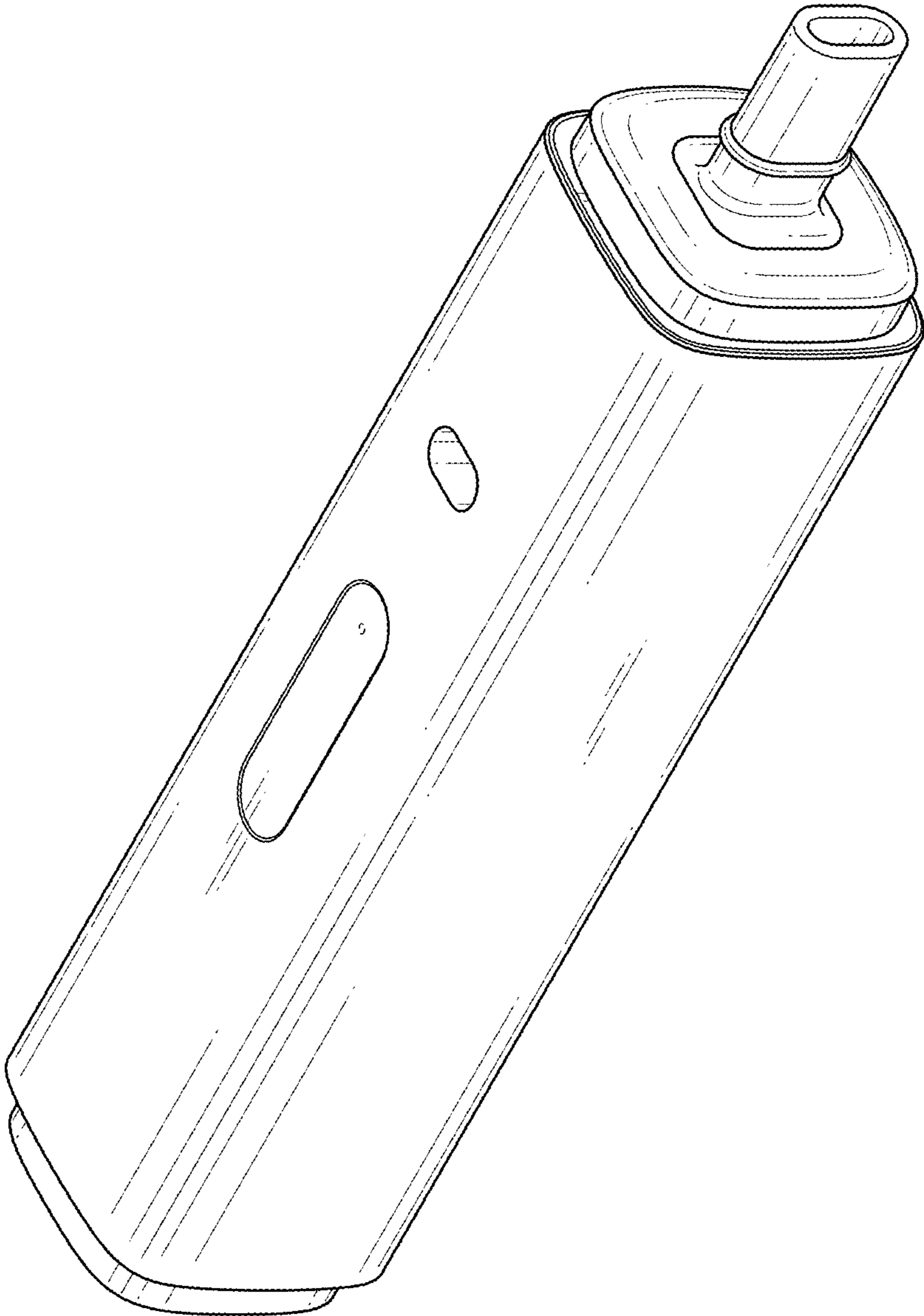


FIG. 2

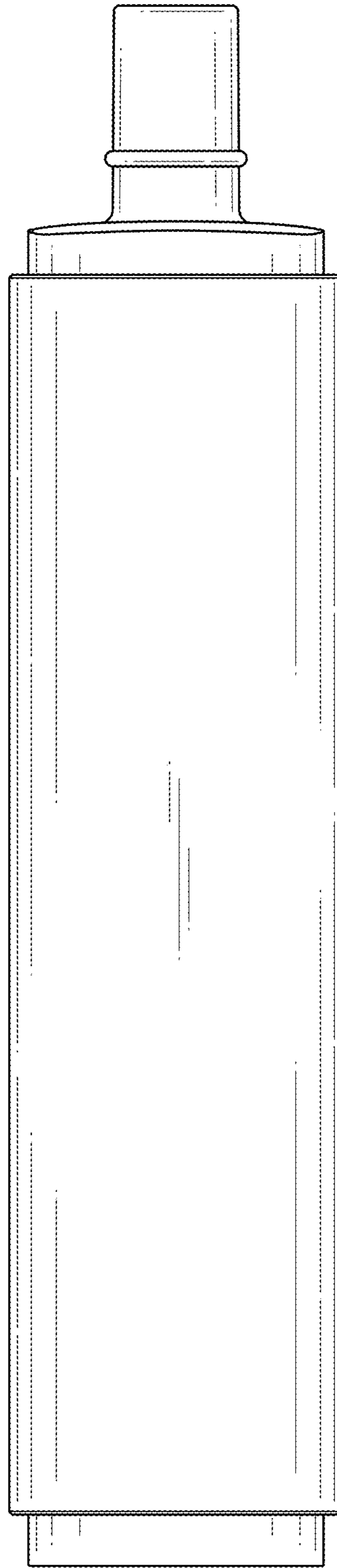


FIG. 3

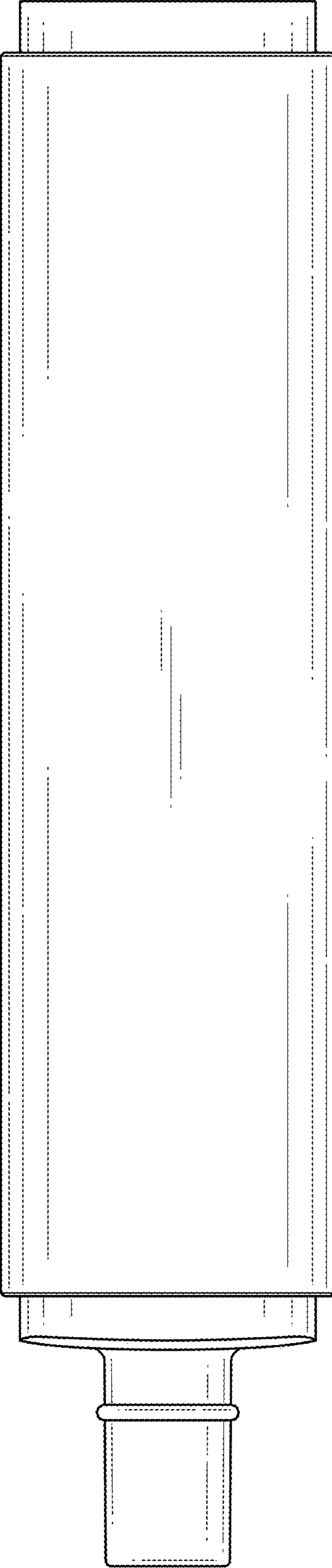


FIG. 4

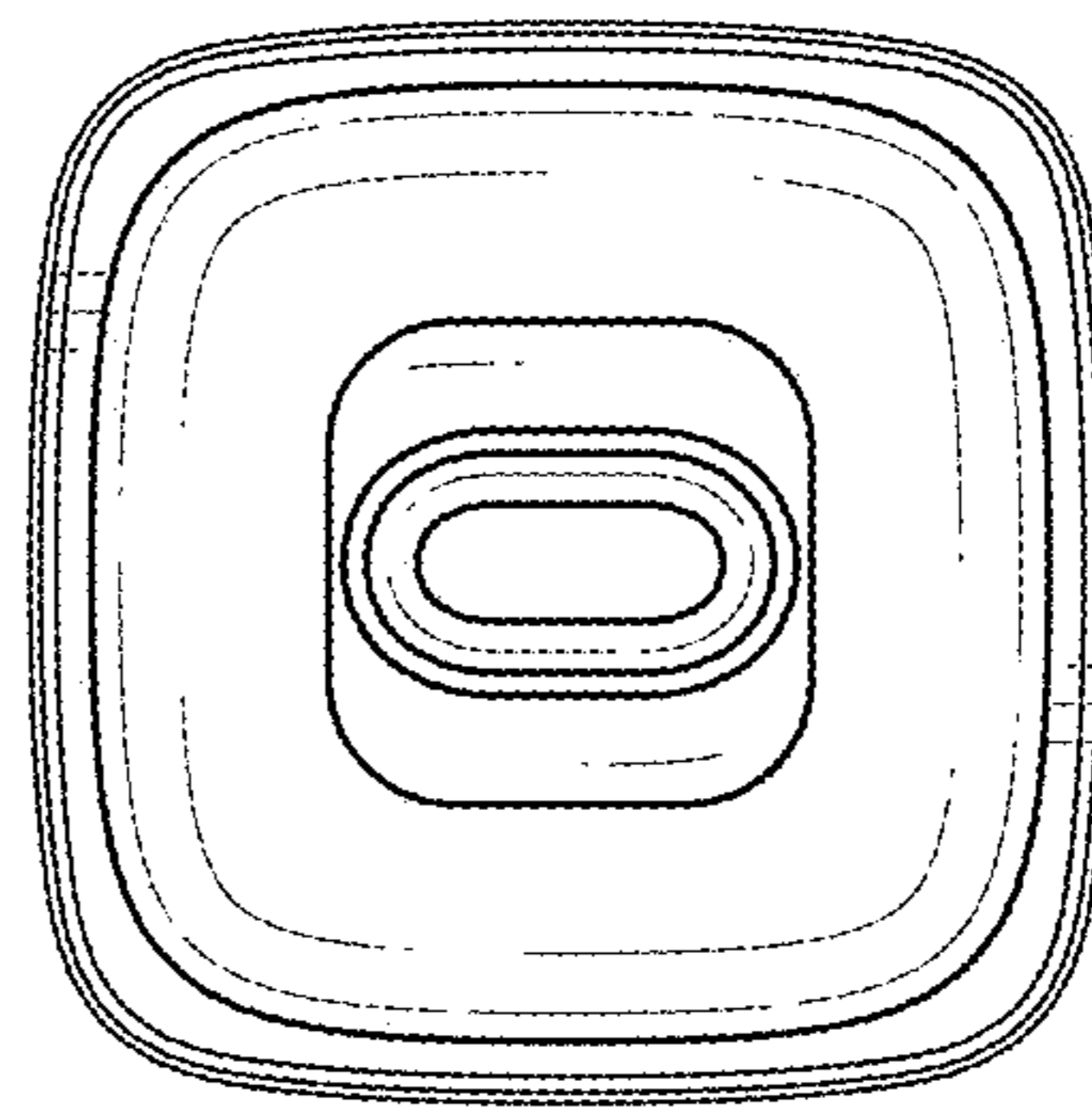


FIG. 5

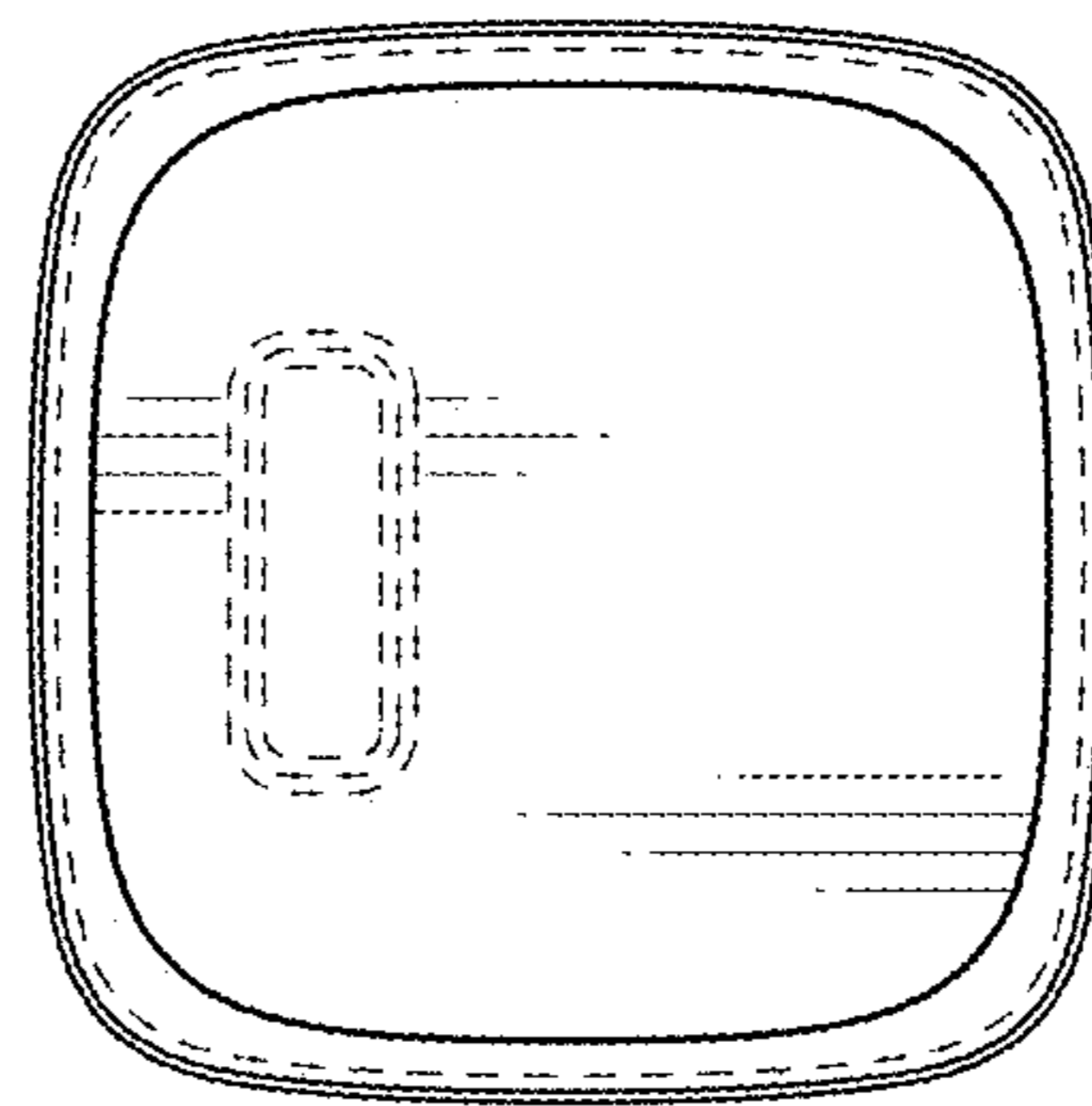


FIG. 6

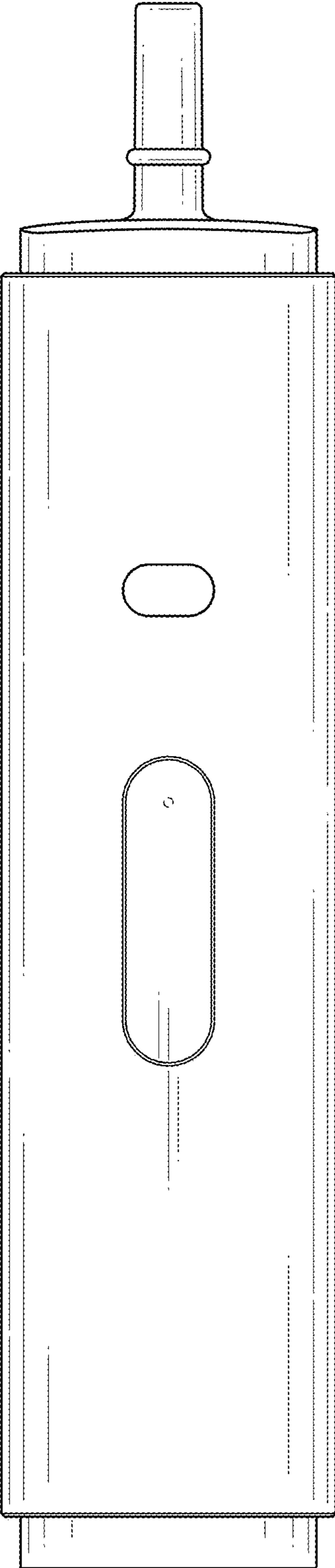


FIG. 7

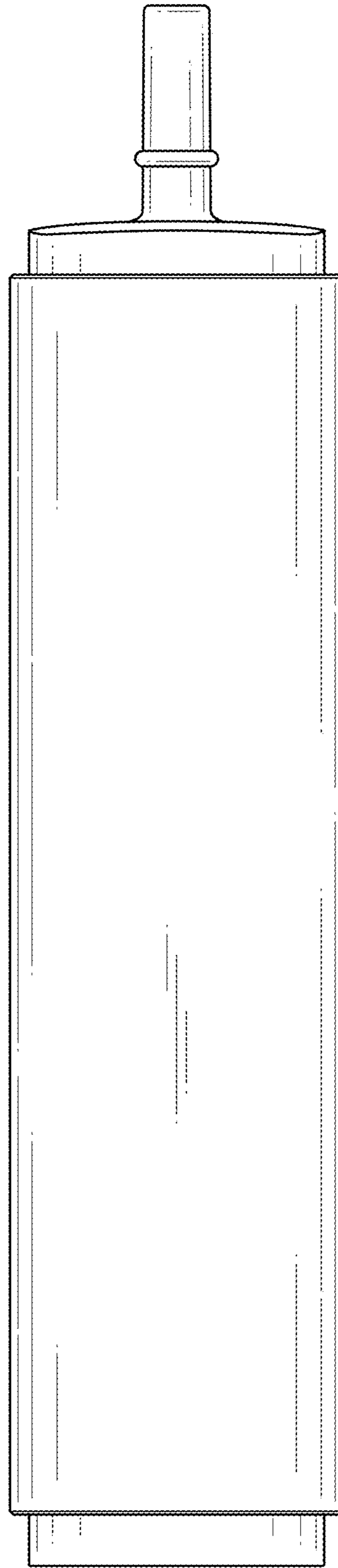


FIG. 8

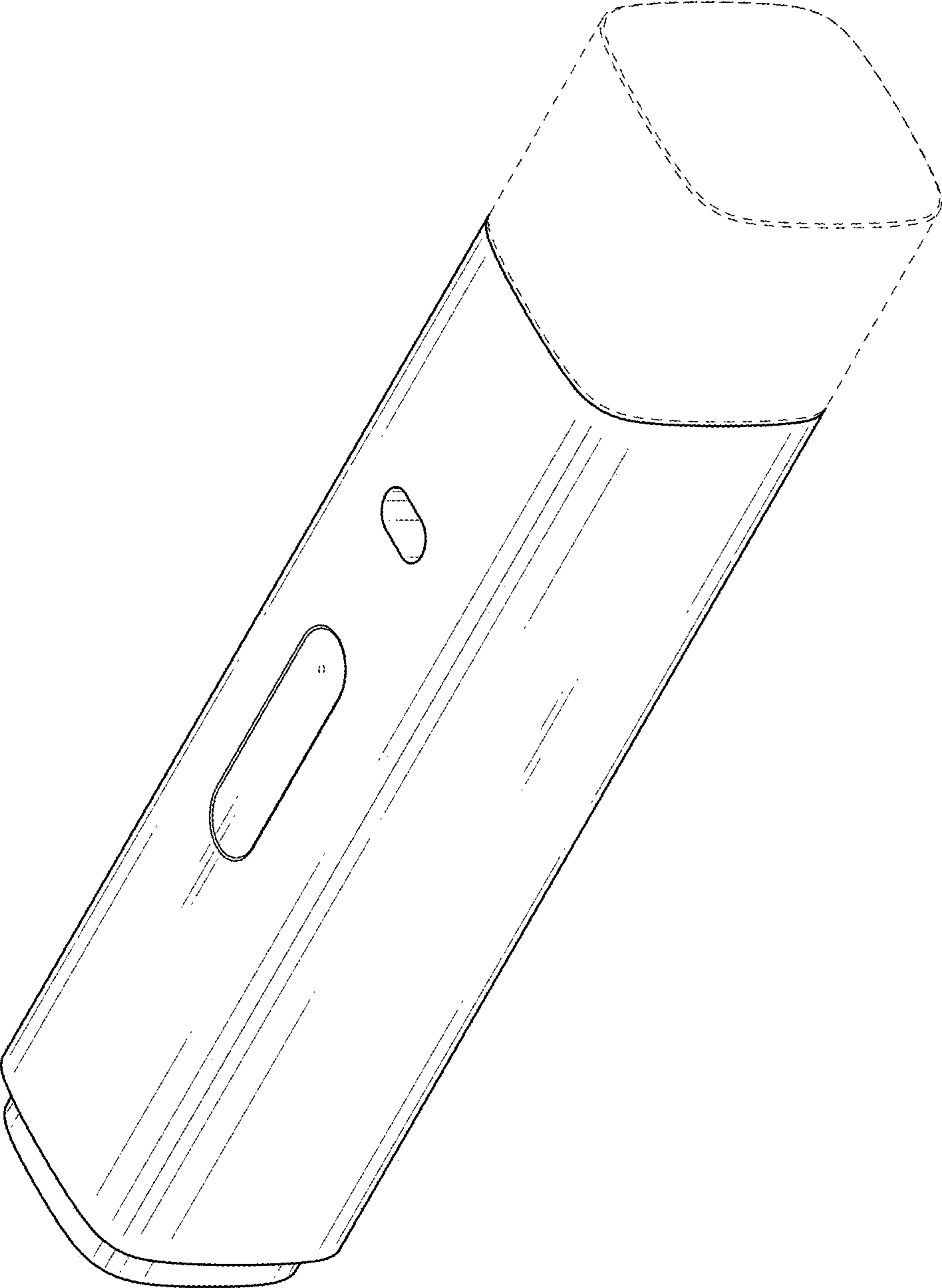


FIG. 9

