

US00D939137S

(12) **United States Design Patent** (10) **Patent No.:** **US D939,137 S**  
**Ruiz** (45) **Date of Patent:** **\*\* Dec. 21, 2021**

(54) **GLASS BOTTLE WATER PIPE**

A61M 15/002; A61M 11/041; A61M 15/0001; A61M 15/0085; A61M

(71) Applicant: **Nelson Ruiz**, Manville, NJ (US)

(Continued)

(72) Inventor: **Nelson Ruiz**, Manville, NJ (US)

(56) **References Cited**

(\*\*) Term: **15 Years**

U.S. PATENT DOCUMENTS

(21) Appl. No.: **29/724,573**

D57,632 S \* 4/1921 Fuller ..... D27/173  
4,031,904 A \* 6/1977 Karl ..... A24F 1/30  
131/173

(22) Filed: **Feb. 18, 2020**

(Continued)

(51) **LOC (13) Cl.** ..... **27-02**

(52) **U.S. Cl.**

FOREIGN PATENT DOCUMENTS

USPC ..... **D27/162**; D7/305

JP D2019-4099 \* 9/2019

(58) **Field of Classification Search**

USPC ..... D27/100, 101, 162, 163, 164, 165, 166,  
D27/167, 168, 169, 170, 171, 172, 173,  
D27/174, 175, 176, 177, 178, 179, 180,  
D27/181, 182, 183, 184, 185, 186, 187,  
D27/188, 189, 190, 191, 192, 193;  
D28/91.1; D23/360, 362; D24/110,  
D24/110.4, 110.5, 110.6, 113; D7/300,  
D7/300.1, 301, 302, 303, 305, 309, 317,  
D7/601, 602, 619.1, 619.2, 622, 705

*Primary Examiner* — Marissa J Cash

*Assistant Examiner* — William B Melliar

(74) *Attorney, Agent, or Firm* — Boudwin Intellectual  
Property; Daniel Boudwin

CPC ..... A24F 40/10; A24F 40/40; A24F 40/46;  
A24F 40/42; A24F 40/44; A24F 40/485;  
A24F 40/50; A24F 40/60; A24F 40/90;  
A24F 40/53; A24F 40/70; A24F 40/48;  
A24F 40/51; A24F 40/57; A24F 40/05;  
A24F 40/65; A24F 40/20; A24F 47/002;  
A24F 40/30; A24F 7/00; A24F 47/00;  
A24F 1/32; A24F 40/00; A24F 40/49;  
A24F 40/85; A24F 40/95; A24F 7/04;  
A24F 9/16; A24F 47/008; A24F 15/015;  
A24F 40/465; A24F 42/60; A24F 1/02;  
A24F 2700/03; A24F 47/006; A24F  
13/00; A24F 13/14; A24F 15/01; A24F  
15/12; A24F 15/14; A24F 15/18; A24F  
42/00; A24F 42/10; A24F 7/02; A24F  
47/004; A24F 1/00; A24F 42/20; A61M  
11/042; A61M 15/06; A61M 2205/82;

(57) **CLAIM**

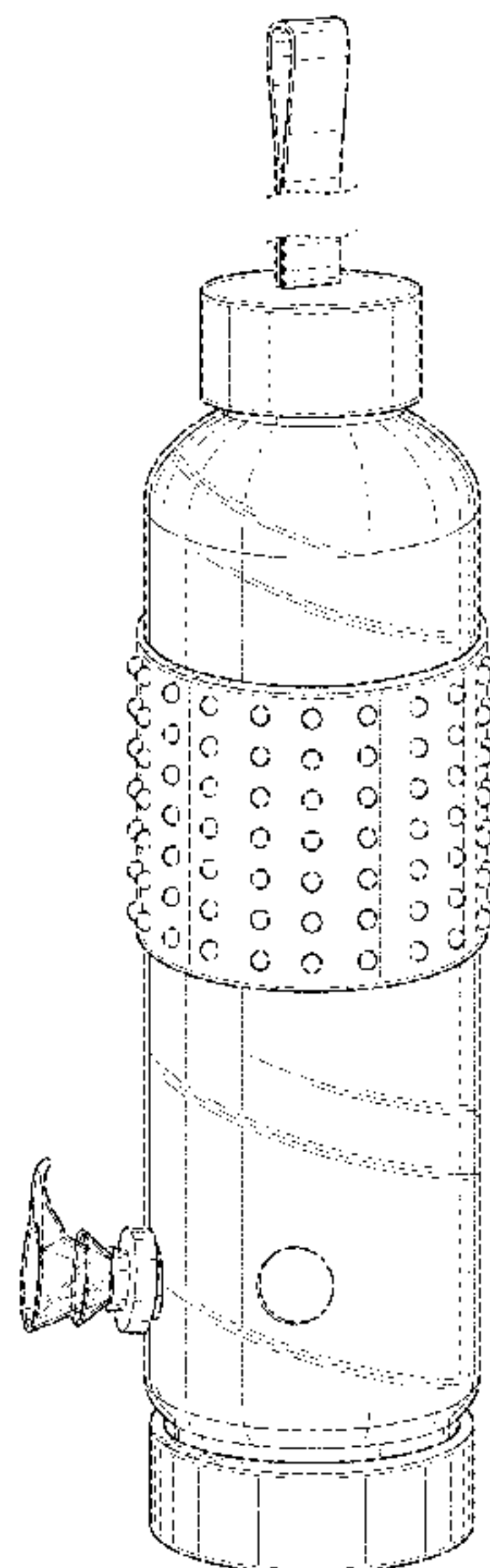
The ornamental design for a glass bottle water pipe, as  
shown and described.

**DESCRIPTION**

FIG. 1 shows a perspective view of a glass bottle water pipe;  
FIG. 2 shows a front view of the glass bottle water pipe;  
FIG. 3 shows a rear view of the glass bottle water pipe;  
FIG. 4 shows a right side view of the glass bottle water pipe;  
FIG. 5 shows a left side view of the glass bottle water pipe;  
FIG. 6 shows a top plan view of the glass bottle water pipe;  
and,  
FIG. 7 shows a bottom plan view of the glass bottle water  
pipe.

The glass bottle water pipe is shown with a symbolic break  
in its length. The appearance of any portion of the article  
between the break lines forms no part of the claimed design.  
The broken lines shown in FIG. 7 depict portions of the glass  
bottle water pipe that form no part thereof.

**1 Claim, 6 Drawing Sheets**



(58) **Field of Classification Search**

CPC ... 11/001; A61M 11/04; A61M 11/044; A61M 15/0015; A61M 15/0021; A61M 15/0028; A61M 15/0091; A61M 15/0095; A61M 16/0808; A61M 2205/0211; A61M 2205/0238; A61M 2205/0272; A61M 2205/123; A61M 2205/3334; A61M 2205/58; A61M 2205/7536; A61M 2205/3653; A61M 2205/18; A61M 2205/3317; A61M 2205/50; A61M 2205/52; A61M 2205/3368; A24B 15/167

See application file for complete search history.

(56) **References Cited**

U.S. PATENT DOCUMENTS

|              |      |         |              |                      |
|--------------|------|---------|--------------|----------------------|
| 4,201,230    | A    | 5/1980  | Howell, Jr.  |                      |
| 4,682,610    | A *  | 7/1987  | Freelain     | A24F 1/30<br>131/173 |
| D332,373     | S *  | 1/1993  | Kahl         | D7/300.1             |
| 5,489,043    | A    | 2/1996  | Newman       |                      |
| D387,476     | S *  | 12/1997 | Chambers     | D27/162              |
| 5,908,031    | A    | 6/1999  | Clark et al. |                      |
| D480,608     | S *  | 10/2003 | Haslam, Sr.  | D7/619.1             |
| D652,571     | S *  | 1/2012  | Shenassa     | D27/163              |
| D727,171     | S *  | 4/2015  | Marina       | D9/738               |
| D747,928     | S *  | 1/2016  | Herbst       | D7/523               |
| D761,487     | S *  | 7/2016  | Han          | D27/162              |
| D827,152     | S *  | 8/2018  | Ou           | D24/224              |
| D851,746     | S *  | 6/2019  | Hillenmayer  | D24/110              |
| D901,068     | S *  | 11/2020 | Stone        | D27/101              |
| 2020/0236992 | A1 * | 7/2020  | Ruiz         | A24F 1/30            |
| 2020/0315246 | A1 * | 10/2020 | LeNoir       | A24F 5/00            |

\* cited by examiner

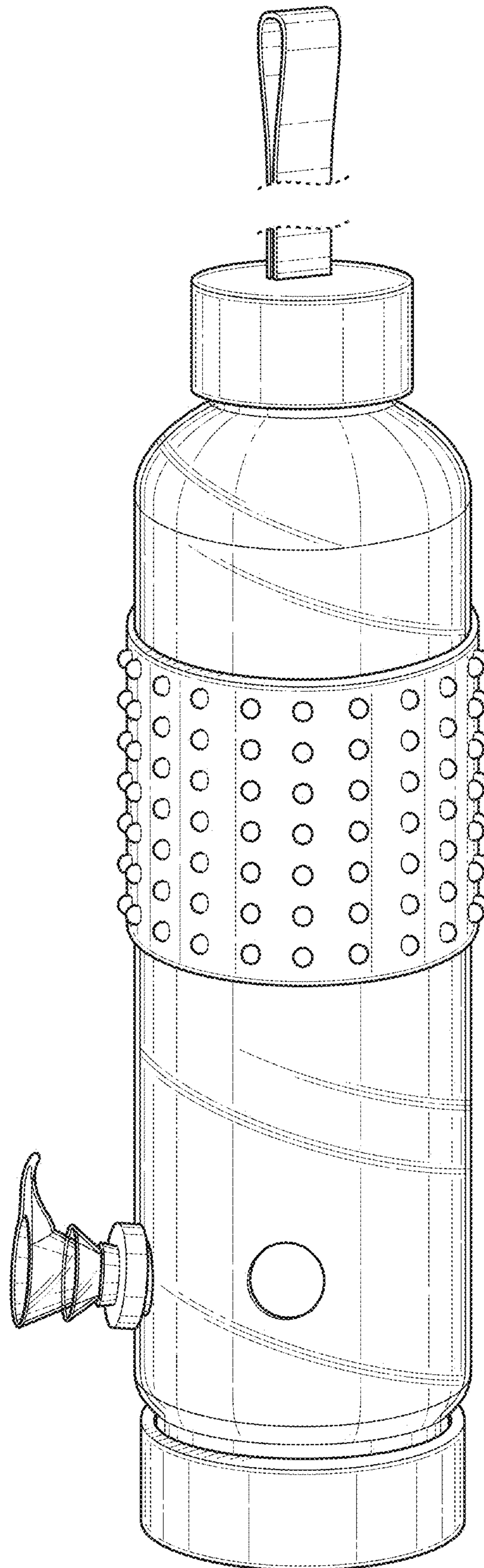


FIG. 1

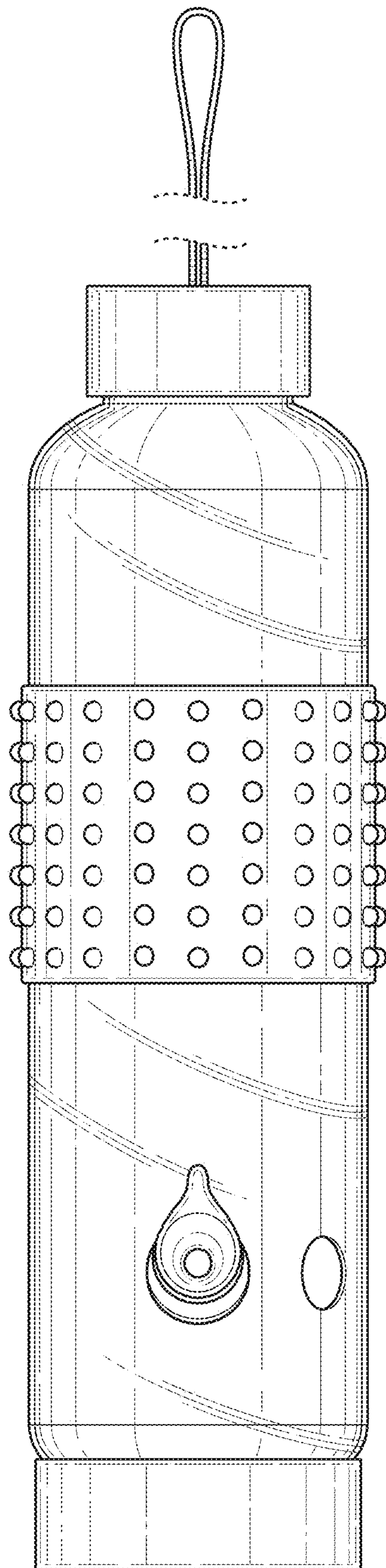


FIG. 2



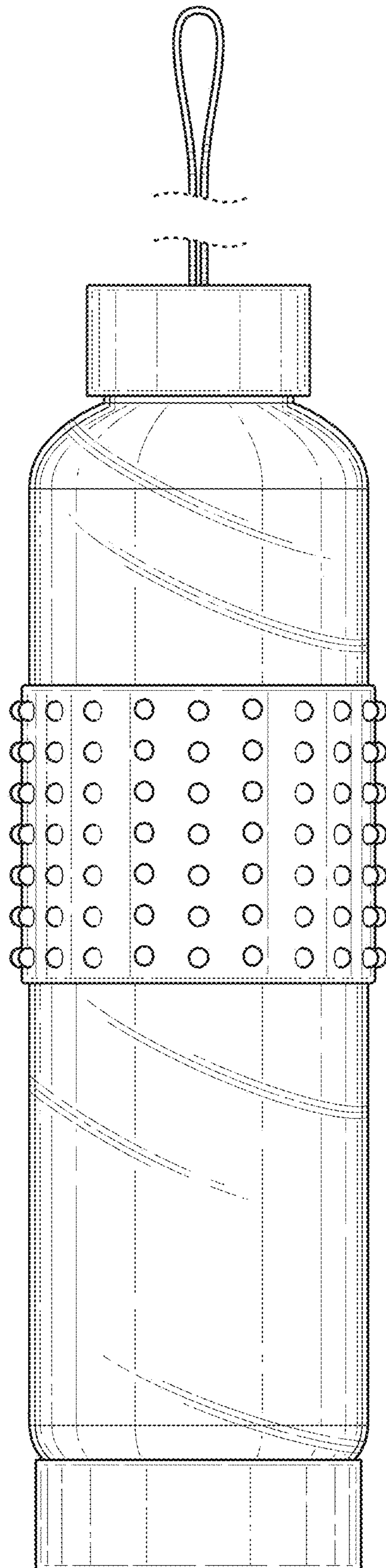


FIG. 3

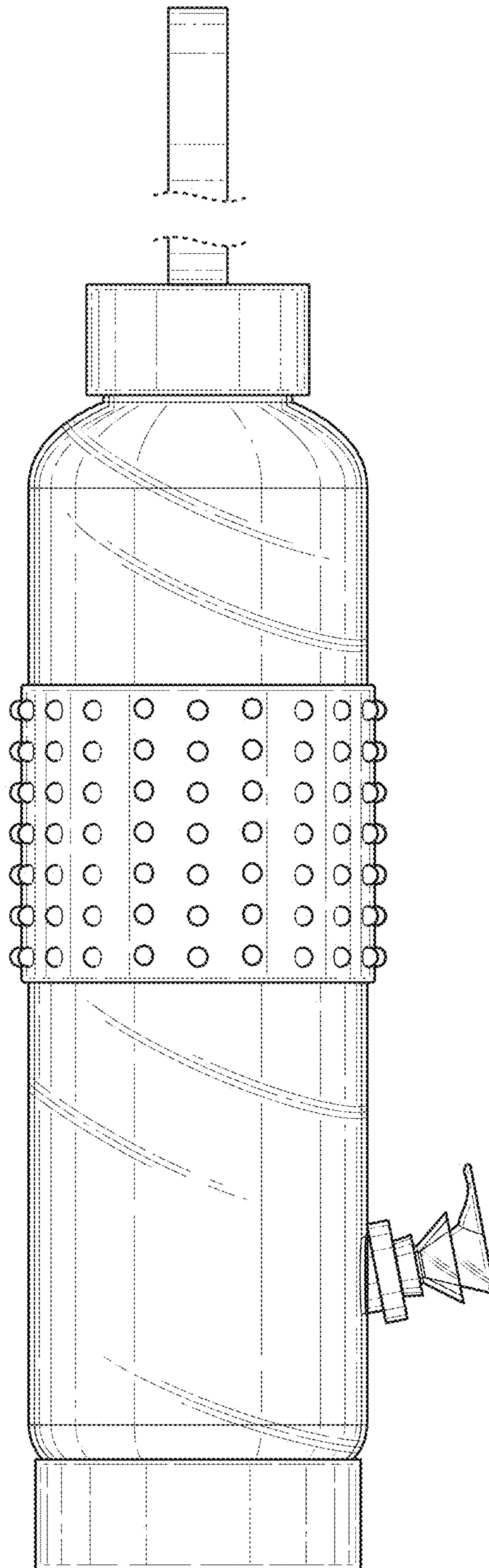


FIG. 4

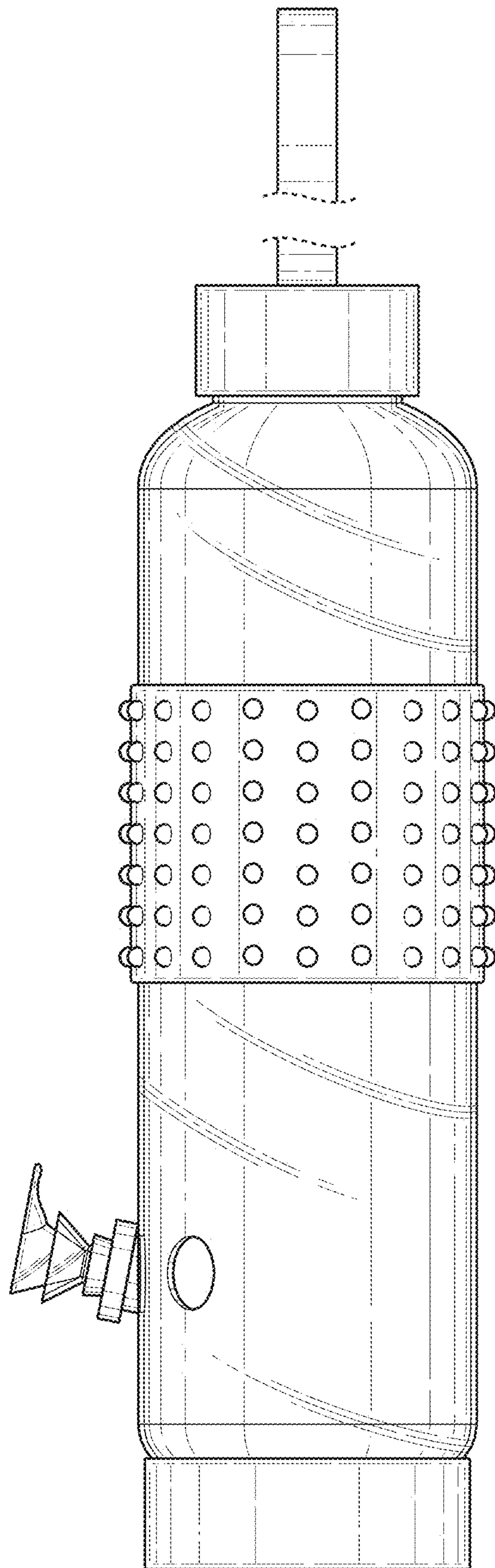


FIG. 5

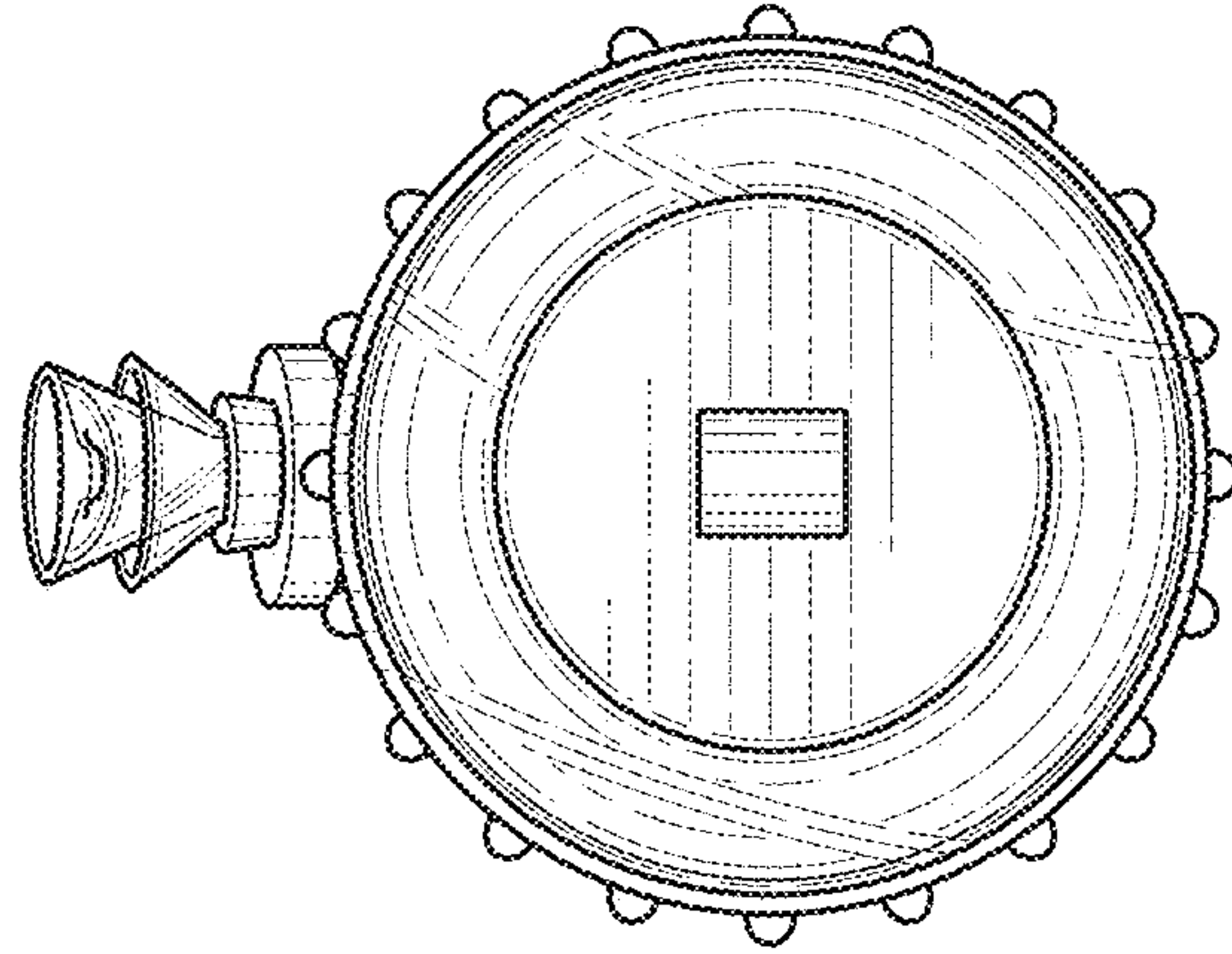


FIG. 6

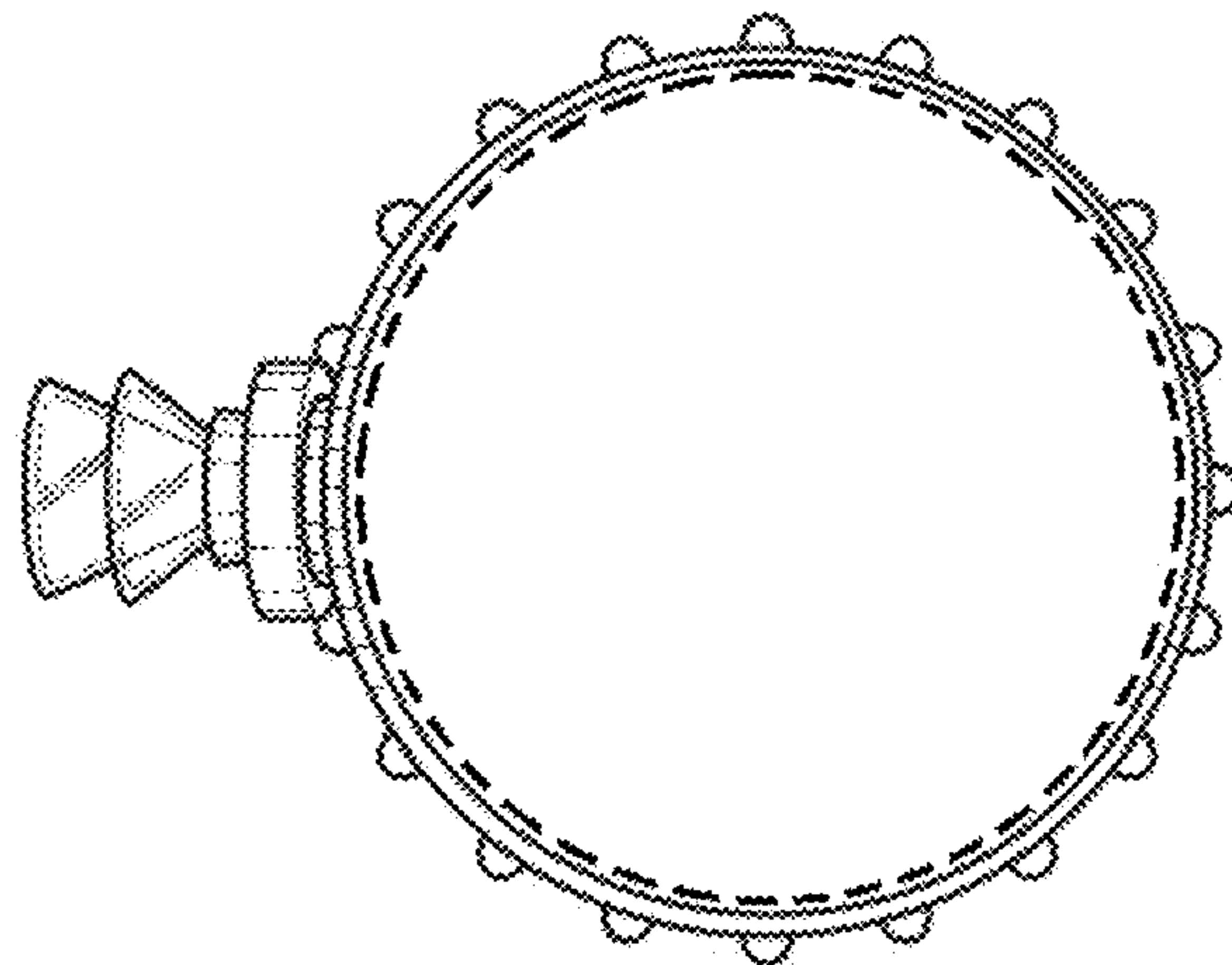


FIG. 7