



US00D939136S

(12) **United States Design Patent** (10) **Patent No.:** **US D939,136 S**
Li (45) **Date of Patent:** **** Dec. 21, 2021**

(54) **ELECTRONIC CIGARETTE** A61M 11/044; A61M 15/0015; A61M 15/0021; A61M 15/0028;

(71) Applicant: **Lux International Group**, Brea, CA (US) (Continued)

(72) Inventor: **Lingxiao Li**, Brea, CA (US)

(56) **References Cited**

(**) Term: **15 Years**

U.S. PATENT DOCUMENTS

(21) Appl. No.: **29/716,688**

D489,679 S * 5/2004 Wong D13/103
D663,892 S * 7/2012 Bellvehi D27/172
(Continued)

(22) Filed: **Dec. 11, 2019**

FOREIGN PATENT DOCUMENTS

(51) **LOC (13) Cl.** **27-02**

CN 202030051140.8 * 7/2020

(52) **U.S. Cl.**

USPC **D27/162**

OTHER PUBLICATIONS

(58) **Field of Classification Search**

USPC D27/100, 101, 162, 163, 164, 165, 166,
D27/167, 168, 169, 170, 171, 172, 173,
D27/174, 175, 176, 177, 178, 179, 180,
D27/181, 182, 183, 184, 185, 186, 187,
D27/188, 189, 190, 191, 192, 193;
D28/91.1; D23/360, 362; D24/110,
D24/110.4, 110.5, 110.6, 113

What is heat-not-burn technology?. By Uwoo Tech. Dated Sep. 18, 2019. Found online [Feb. 2, 2021]. <https://medium.com/@uwootech/what-is-the-heat-not-burn-technology-ec8a1a250a69> (Year: 2019).*

Primary Examiner — Lakiya G Rogers
Assistant Examiner — William B Melliar
(74) *Attorney, Agent, or Firm* — Che-Yang Chen; Law Office of Michael Chen

CPC A24F 40/10; A24F 47/008; A24F 40/485;
A24F 40/46; A24F 40/44; A24F 47/00;
A24F 40/40; A24F 40/42; A24F 15/015;
A24F 40/05; A24F 40/49; A24F 47/002;
A24F 40/48; A24F 40/70; A24F 7/00;
A24F 40/60; A24F 40/20; A24F 7/02;
A24F 40/50; A24F 47/004; A24F 1/00;
A24F 1/32; A24F 40/00; A24F 40/30;
A24F 40/465; A24F 40/51; A24F 42/00;
A24F 40/57; A24F 40/53; A24F 40/95;
A24F 42/60; A24F 13/00; A24F 13/14;
A24F 15/01; A24F 15/12; A24F 15/14;
A24F 15/18; A24F 1/02; A24F 2700/03;
A24F 42/20; A24F 40/65; A24F 40/85;
A24F 40/90; A61M 11/042; A61M 15/06;
A61M 2205/8206; A61M 2205/3653;
A61M 15/002; A61M 11/041; A61M
15/0001; A61M 15/0085; A61M
2205/3368; A61M 11/001; A61M 11/04;

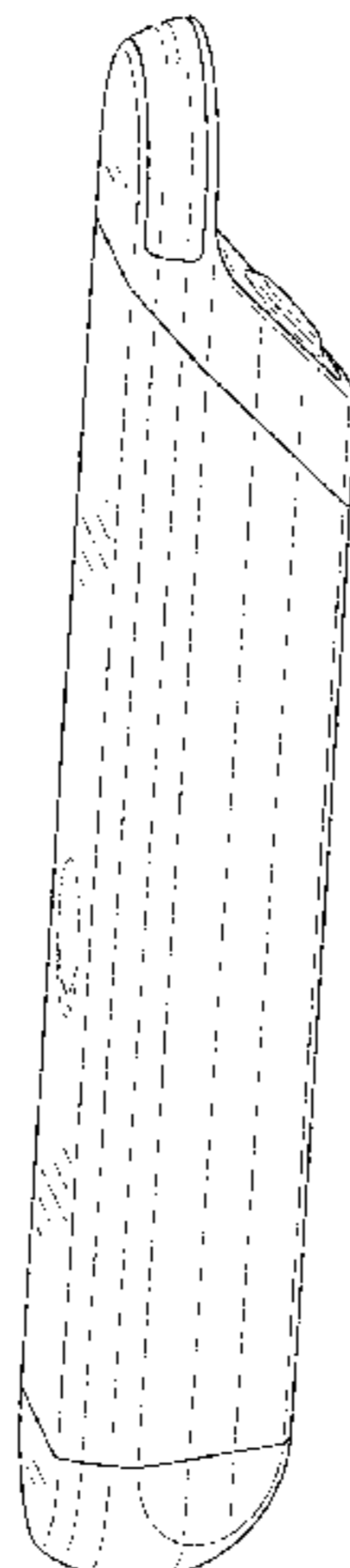
(57) **CLAIM**

The ornamental design for an electronic cigarette, as shown and described.

DESCRIPTION

FIG. 1 is a perspective view of an electronic cigarette showing my new design;
FIG. 2 is another perspective view thereof;
FIG. 3 is other perspective view thereof;
FIG. 4 is a front view thereof;
FIG. 5 is a rear view thereof;
FIG. 6 is a left side view thereof;
FIG. 7 is a right side view thereof;
FIG. 8 is a top view thereof; and,
FIG. 9 is a bottom view thereof.

(Continued)



The broken lines show portions of the electronic cigarette that form no part of the claimed design.

1 Claim, 6 Drawing Sheets

(58) Field of Classification Search

CPC A61M 15/0091; A61M 15/0095; A61M 16/0808; A61M 2205/0211; A61M 2205/0238; A61M 2205/0272; A61M 2205/123; A61M 2205/3334; A61M 2205/58; A61M 2205/7536; A61M 15/0033; A61M 15/0066; A61M 16/024; A61M 16/026; A61M 16/04; A61M 16/06; A61M 16/107; A61M 16/14; A61M 16/161; A61M 2202/0007; A61M 2202/04; A61M 2205/07; A61M 2205/3327; A61M 2205/3569; A61M 2205/6045; A61M 2205/6054; A61M 2205/6072; A61M 2205/70; A61M 2205/8262; A61M 2206/14; A61M 2206/16; A61M 2206/18; A61M 2207/00; A61M 2209/082; A61M 15/0008; A61M 15/0016; A61M 15/0036; A61M 15/0041; A61M 15/0043; A61M 15/0045; A61M 15/0048; A61M 15/0083; A61M 15/02; A61M 16/0066; A61M 16/0627; A61M 16/147; A61M 16/201; A61M 2016/0015; A61M 2202/062; A61M 2205/075; A61M 2205/10; A61M 2205/128; A61M 2205/21; A61M 2205/273; A61M 2205/276; A61M 2205/3306; A61M 2205/3372; A61M 2205/583; A61M 2205/75; A61M 2205/7545; A61M 2205/8225; A61M 2205/8237; A61M 2205/8268; A61M 2205/84; A61M 2209/06; A61M 2209/10; A61M 2210/0612; A61M 2210/0618; A61M

2210/1039; A61M 2250/00; A61M 11/005; A61M 15/009; A61M 15/025; A61M 15/00; A61M 15/0086; A61M 11/02; A61M 2016/0021; A61M 2202/064; A61M 11/06; A61M 11/00; A61M 11/007; A61M 15/0018; A61M 15/0065; A61M 15/008; A61M 16/20; A61M 2016/0027; A61M 2205/3331; A61M 2205/368; A61M 2205/50; A61M 11/003; A61M 15/0003; A61M 16/08; A61M 16/0833; A61M 2202/0468; A61M 16/0858; A61M 16/1065; A61M 16/16; A61M 16/208; A61M 2016/0024; A61M 2016/0036; A61M 2016/0039; A61M 2205/3561; A61M 2205/362; A61M 2205/52; A61M 2206/10; A61M 11/002; A61M 11/006; A61M 11/08; A61M 15/0005; A61M 15/0031; A24B 15/167; A24B 15/16; A61L 2209/11; A61L 2209/133; A61L 9/032; A61L 9/037; A24D 3/043; A24D 3/046; A24D 3/18

See application file for complete search history.

(56)

References Cited

U.S. PATENT DOCUMENTS

D742,021	S	*	10/2015	Labuschagne	D24/200
D795,496	S	*	8/2017	Beer	D27/101
D822,592	S	*	7/2018	Cavalli, III	D13/103
D829,373	S	*	9/2018	Huang	D27/101
D834,702	S	*	11/2018	Evans	D24/110
D843,650	S	*	3/2019	Verleur	D27/172
D855,878	S	*	8/2019	Qiu	D27/162
D888,328	S	*	6/2020	Frechin	D27/162
D891,609	S	*	7/2020	Tibbatts	D24/110
2017/0229890	A1	*	8/2017	Lu	H02J 7/0042

* cited by examiner

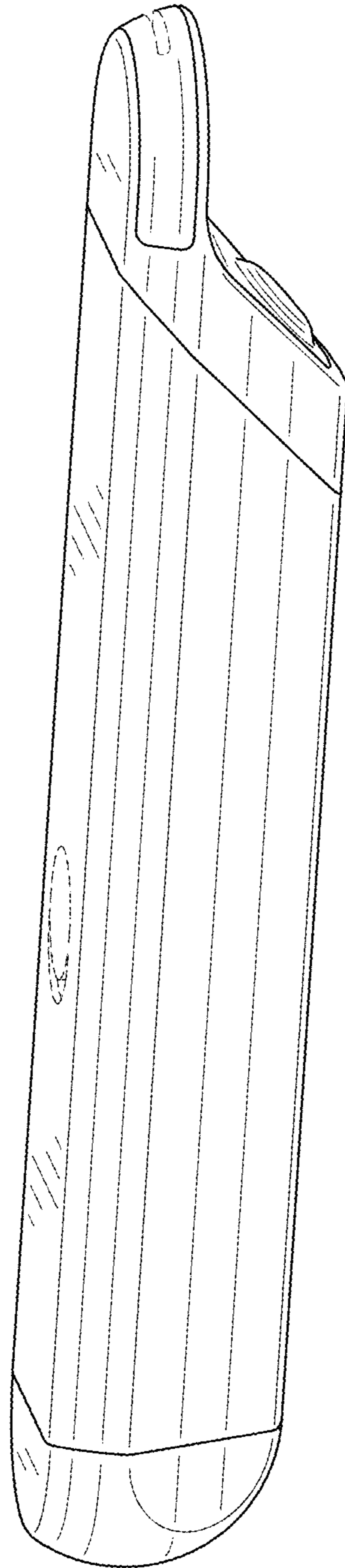


FIG. 1

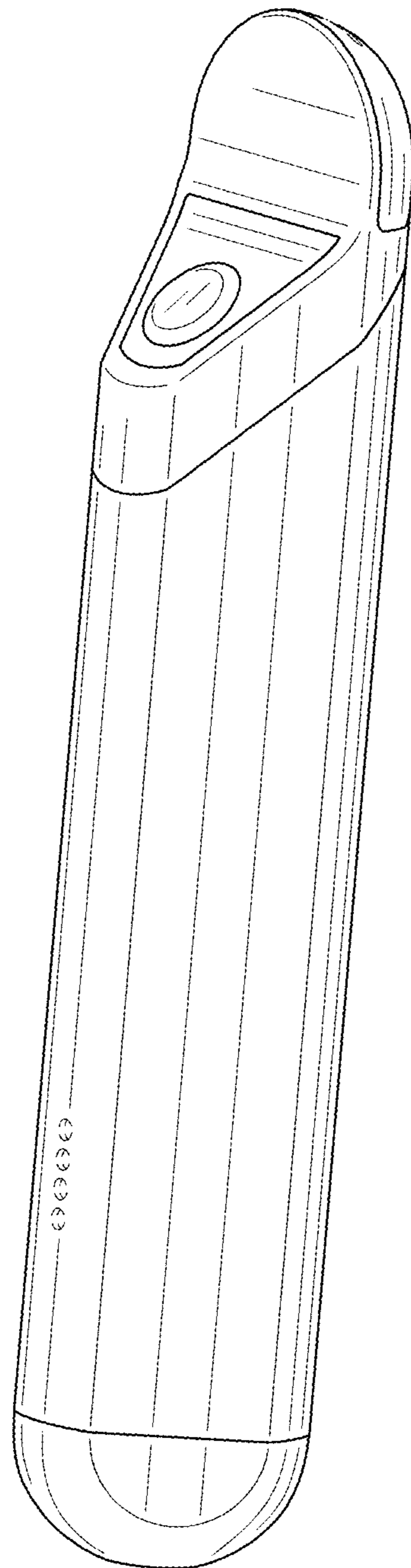


FIG. 2

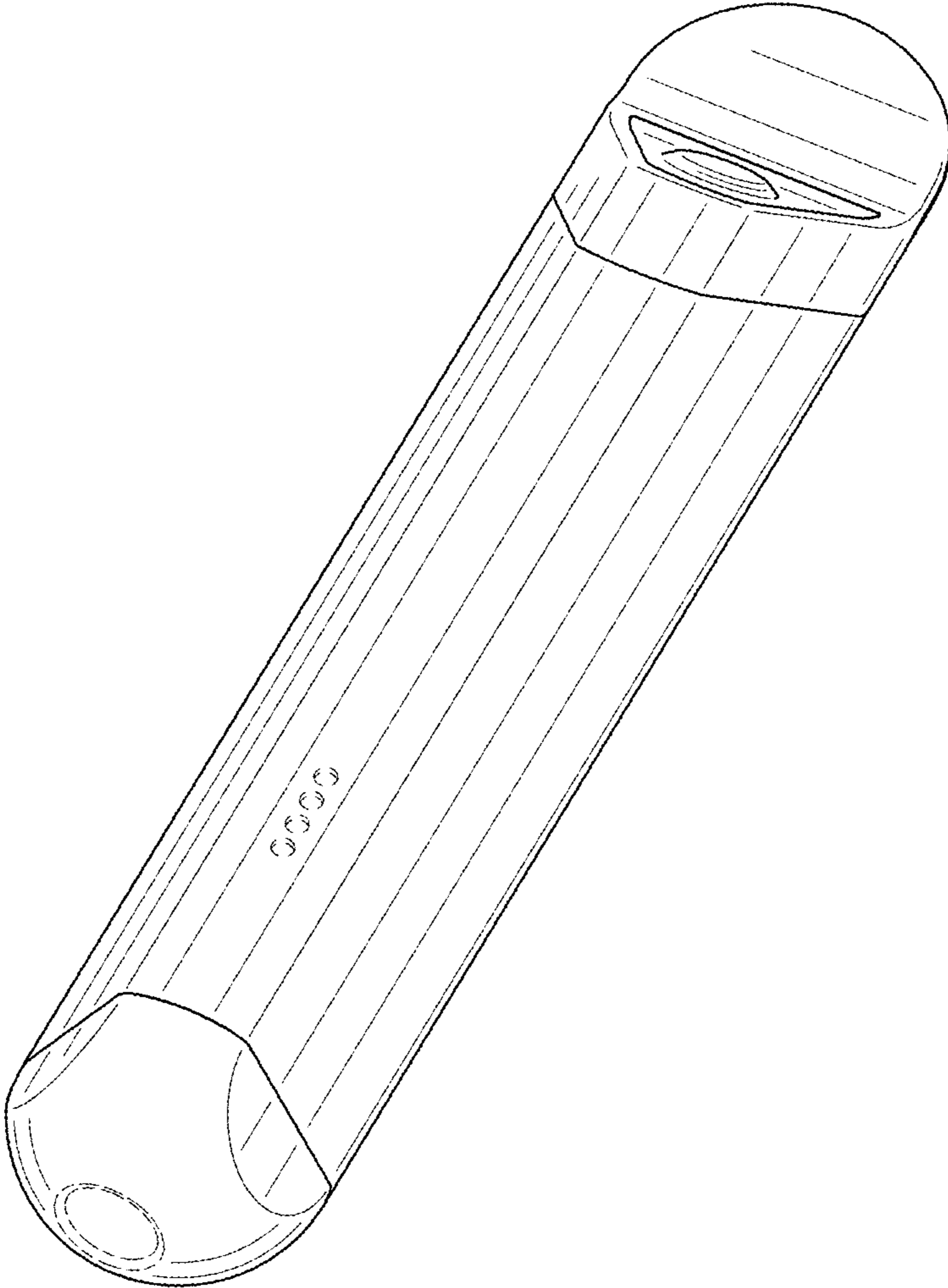


FIG. 3

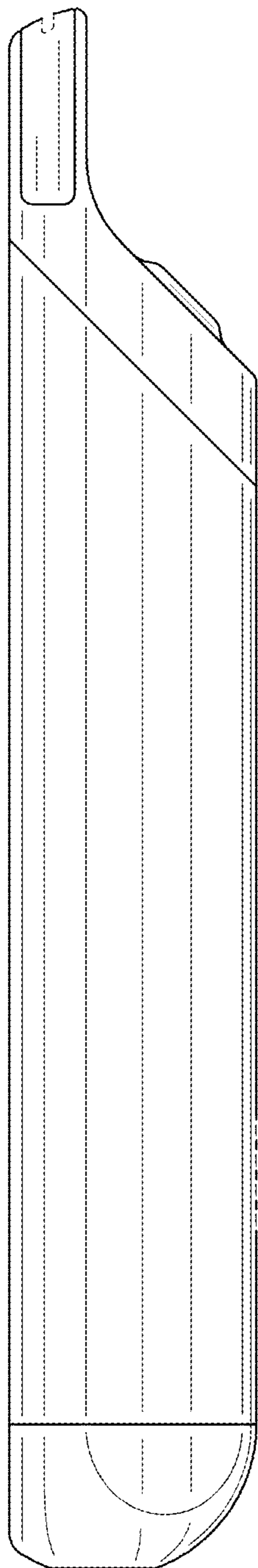


FIG. 4

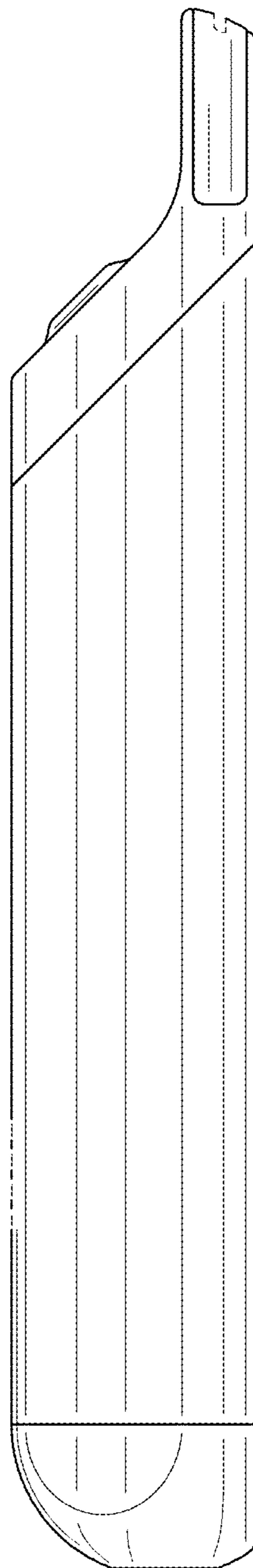


FIG. 5

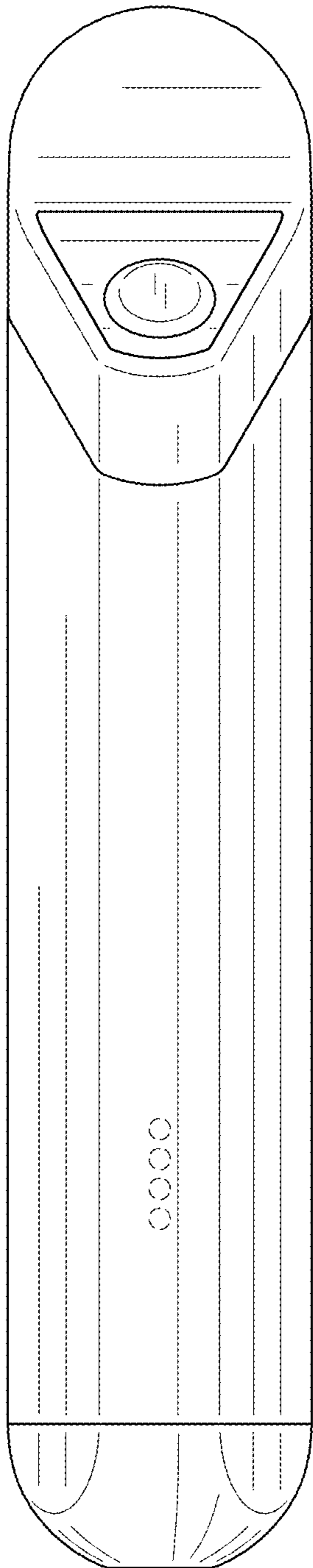


FIG. 6

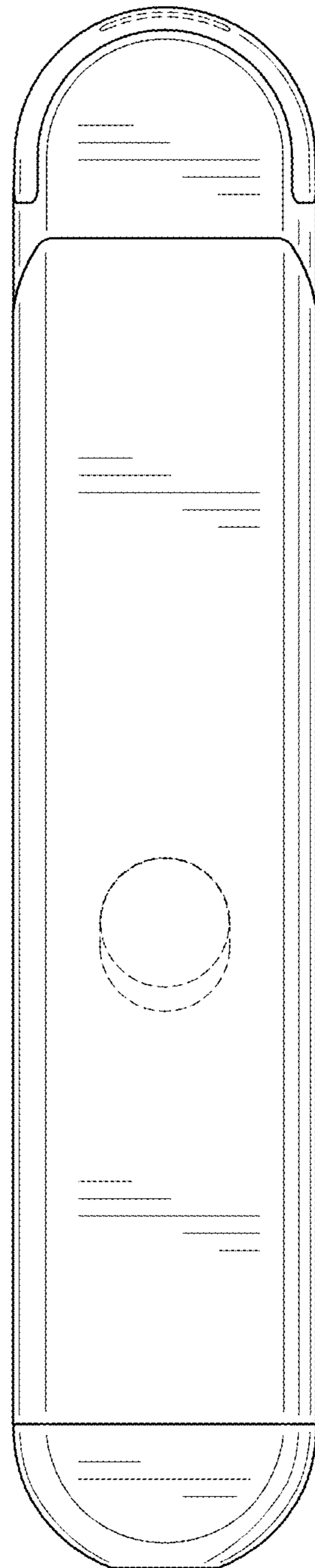


FIG. 7

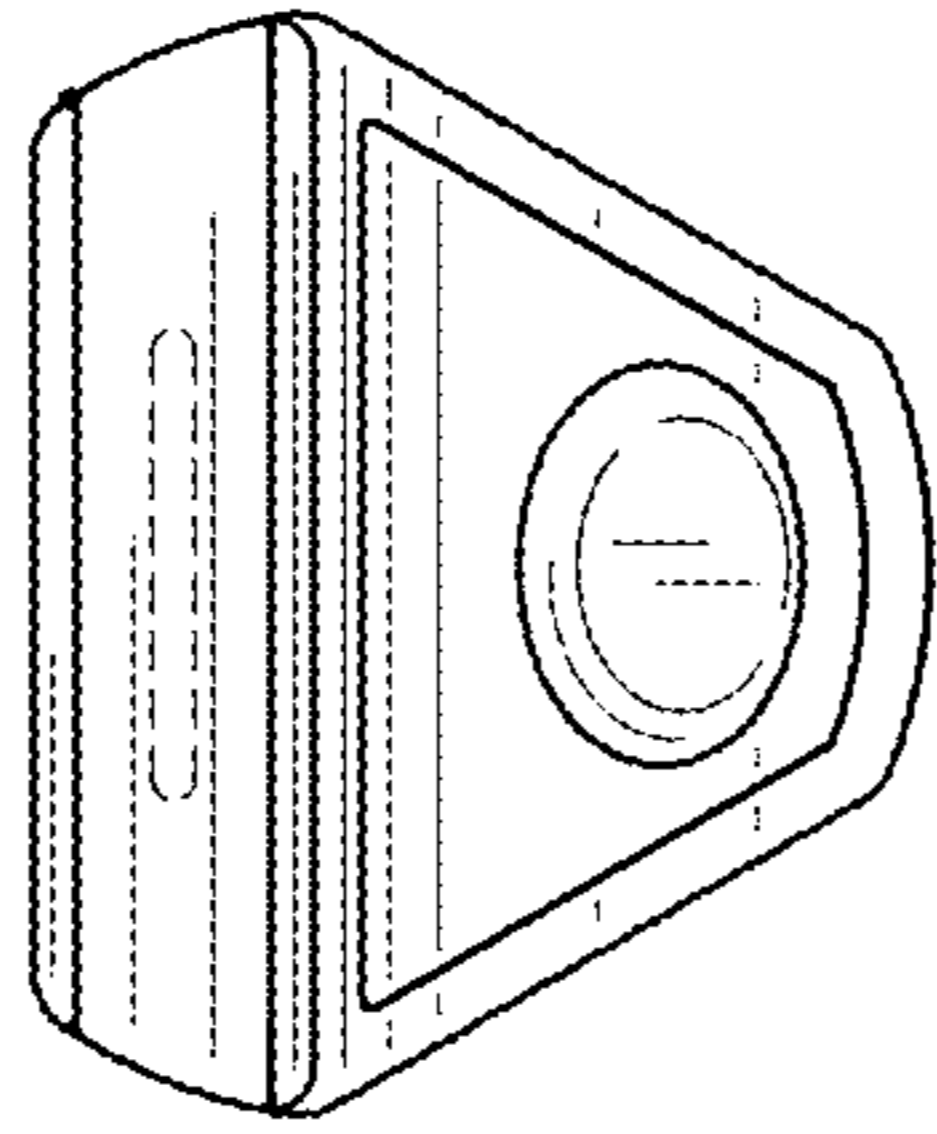


FIG. 8

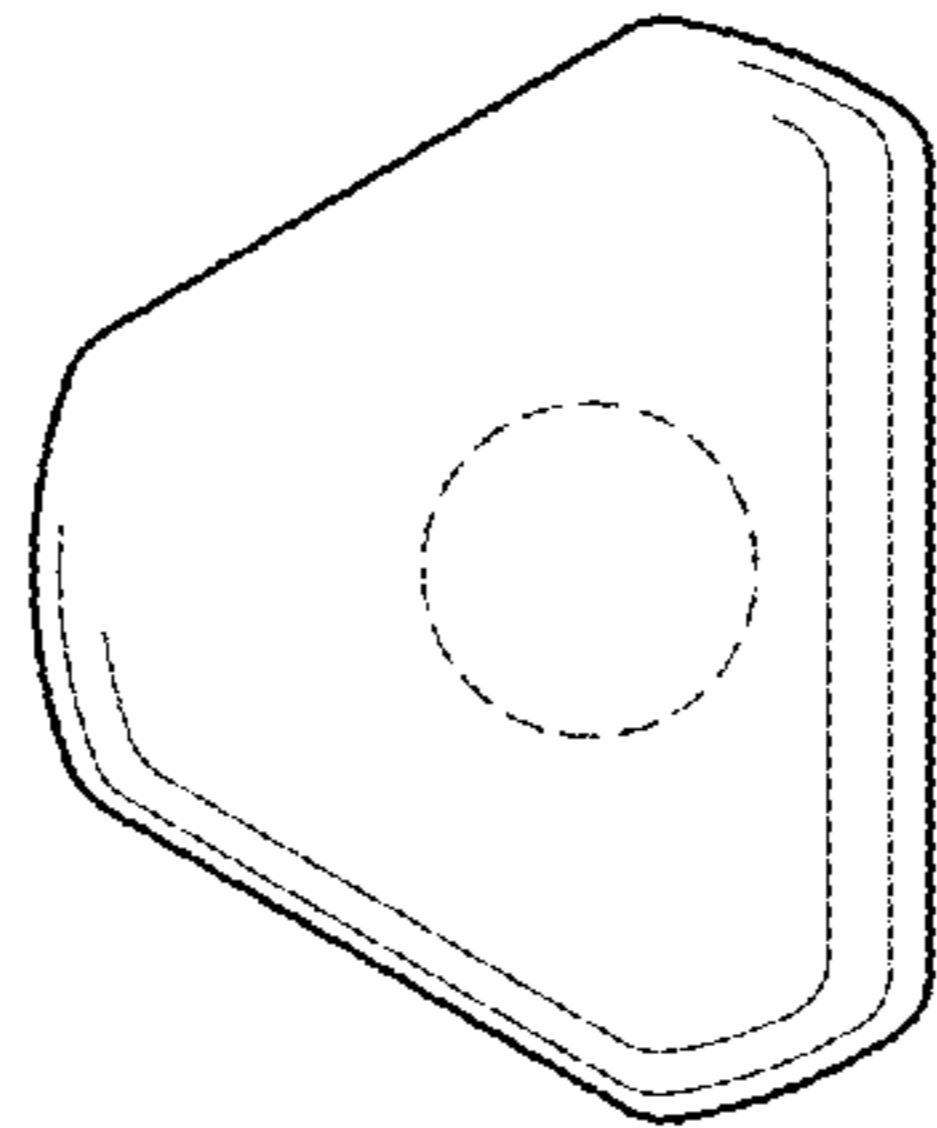


FIG. 9