

US00D939135S

(12) **United States Design Patent** (10) **Patent No.:** **US D939,135 S**
Lai (45) **Date of Patent:** **** Dec. 21, 2021**

- (54) **PLANT GROW LIGHT**
- (71) Applicant: **SHENZHEN XINCHI NETWORK & TECH CO., LTD.**, Shenzhen (CN)
- (72) Inventor: **Haibo Lai**, Shenzhen (CN)
- (73) Assignee: **SHENZHEN XINCHI NETWORK & TECH CO., LTD.**, Shenzhen (CN)
- (**) Term: **15 Years**
- (21) Appl. No.: **29/776,138**
- (22) Filed: **Mar. 29, 2021**
- (51) **LOC (13) Cl.** **26-05**
- (52) **U.S. Cl.**
USPC **D26/138; D26/60**
- (58) **Field of Classification Search**
USPC D26/60, 63, 72, 74, 76, 78-83, 85, 86, D26/88, 90, 93, 111, 113, 118, 119, 120, D26/121, 122, 138, 139, 140, 141, 142, D26/152
CPC F21S 2/00; F21S 4/00; F21S 4/003; F21S 4/005; F21S 4/006; F21S 4/007; F21S 4/008; F21S 6/00; F21S 8/00; F21S 8/024; F21S 8/026; F21S 8/031; F21S 8/033; F21S 8/035-8/037; F21S 8/04; F21S 8/043; F21S 8/063
See application file for complete search history.

- (56) **References Cited**
U.S. PATENT DOCUMENTS
D348,743 S * 7/1994 Leen F21L 14/00 D26/60
D349,971 S * 8/1994 Stekelenburg D26/60
D349,972 S * 8/1994 Stekelenburg D26/60
D350,619 S * 9/1994 Yu D26/60

- D383,559 S * 9/1997 Chan D26/60
- D438,318 S * 2/2001 Lo D26/60
- D498,322 S * 11/2004 Schnell D26/60
- D527,137 S * 8/2006 Urich D26/138
- D618,385 S * 6/2010 Nelson D26/138
- D629,944 S * 12/2010 Nelson D26/60
- D629,946 S * 12/2010 Nelson D26/61
- D633,250 S * 2/2011 Kao D26/140
- D642,312 S * 7/2011 Rothman D26/60
- D762,904 S * 8/2016 Schmitt
- D772,476 S * 11/2016 Smith D26/142
- D844,206 S * 3/2019 Richardson D26/60
- D851,311 S * 6/2019 Fan D26/60
- D870,942 S * 12/2019 Yang D26/60
- D878,654 S * 3/2020 Lin D26/60
- D903,174 S * 11/2020 Chen D26/60

* cited by examiner

Primary Examiner — Natasha Vujcic

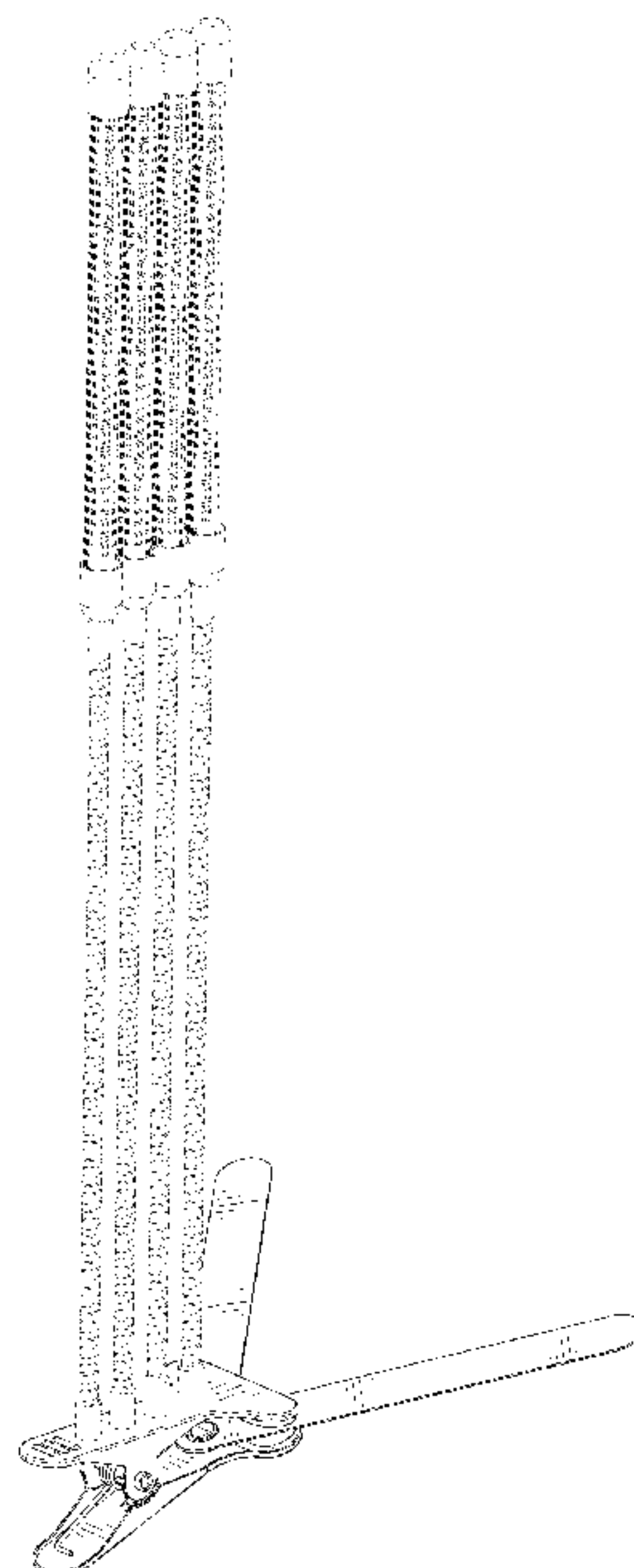
(57) **CLAIM**

The ornamental design for a plant grow light, as shown and described.

DESCRIPTION

FIG. 1 is a perspective view of a plant grow light showing my new design;
 FIG. 2 is another perspective view thereof;
 FIG. 3 is a front elevational view thereof;
 FIG. 4 is a rear elevational view thereof;
 FIG. 5 is a left side elevational view thereof;
 FIG. 6 is a right side elevational view thereof;
 FIG. 7 is a top plan view thereof;
 FIG. 8 is a bottom plan view thereof; and,
 FIG. 9 is an exploded perspective view of the plant grow light.
 The broken lines in the drawings depict portions of the plant grow light that form no part of the claimed design.

1 Claim, 9 Drawing Sheets



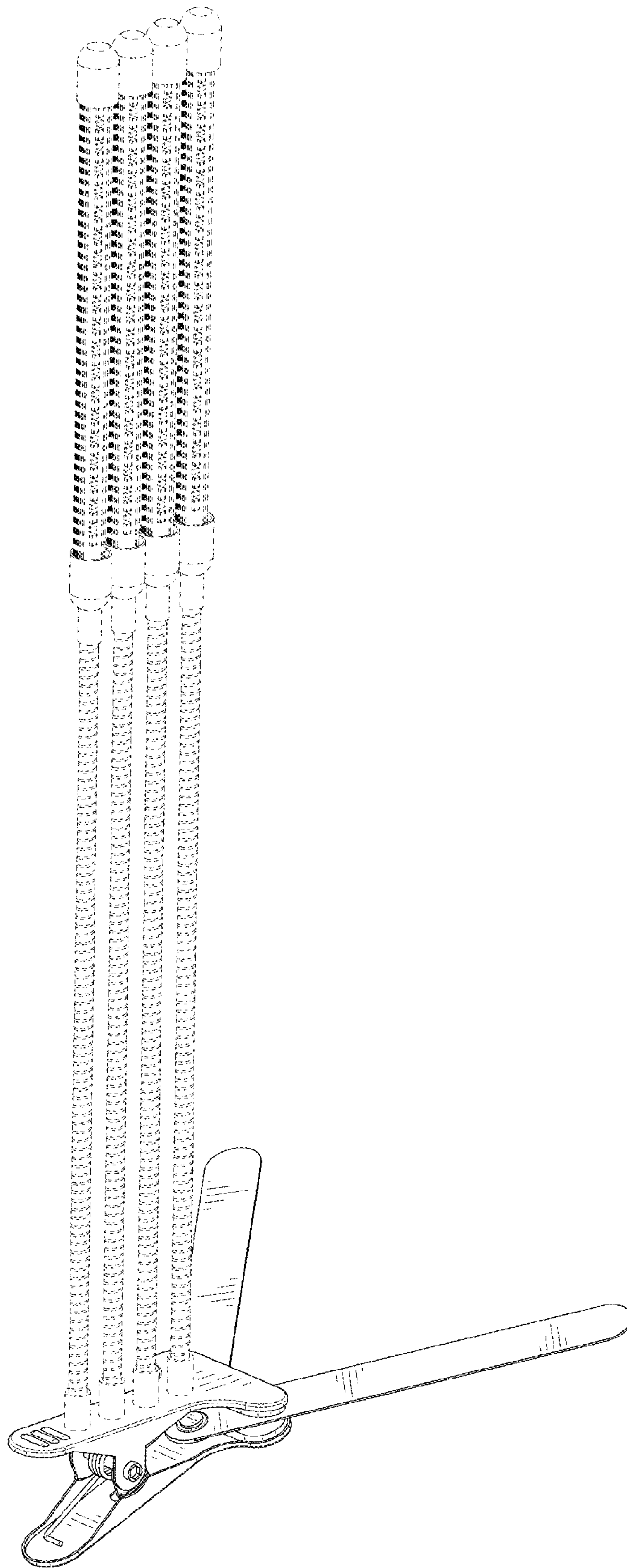


FIG. 1

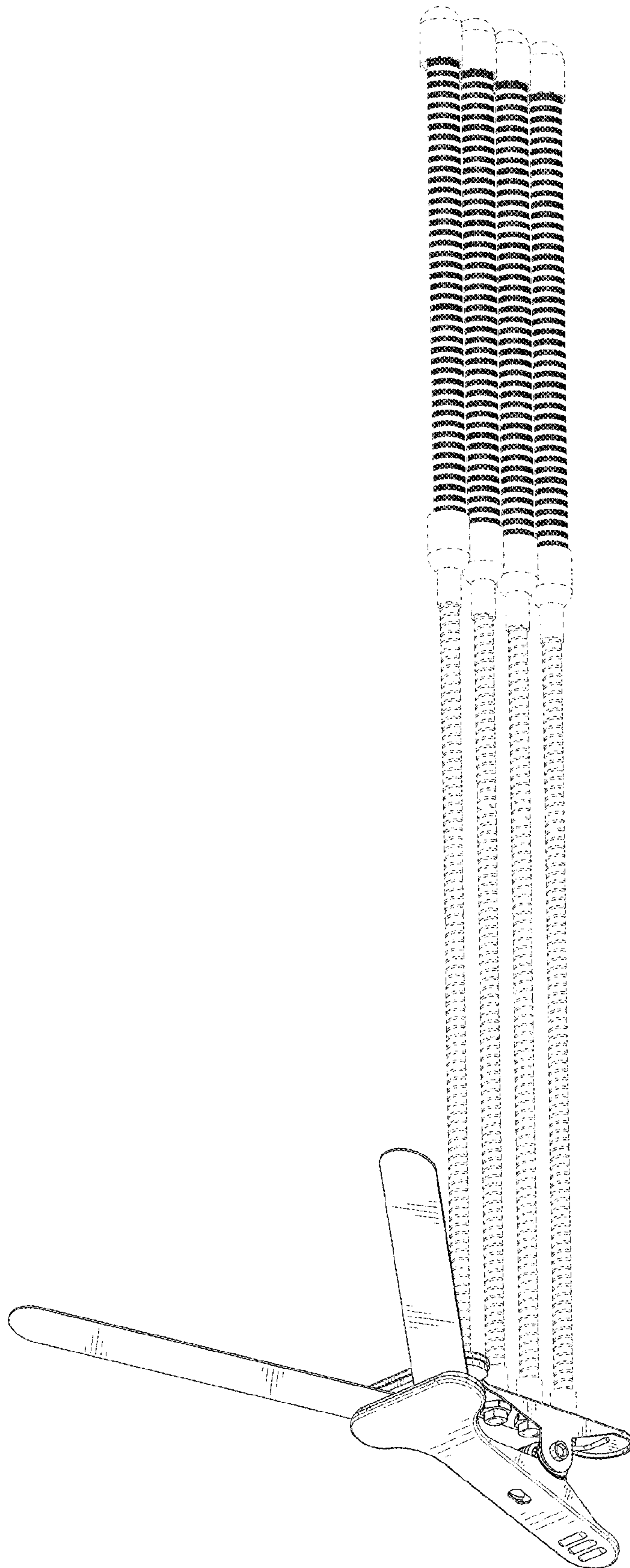


FIG. 2

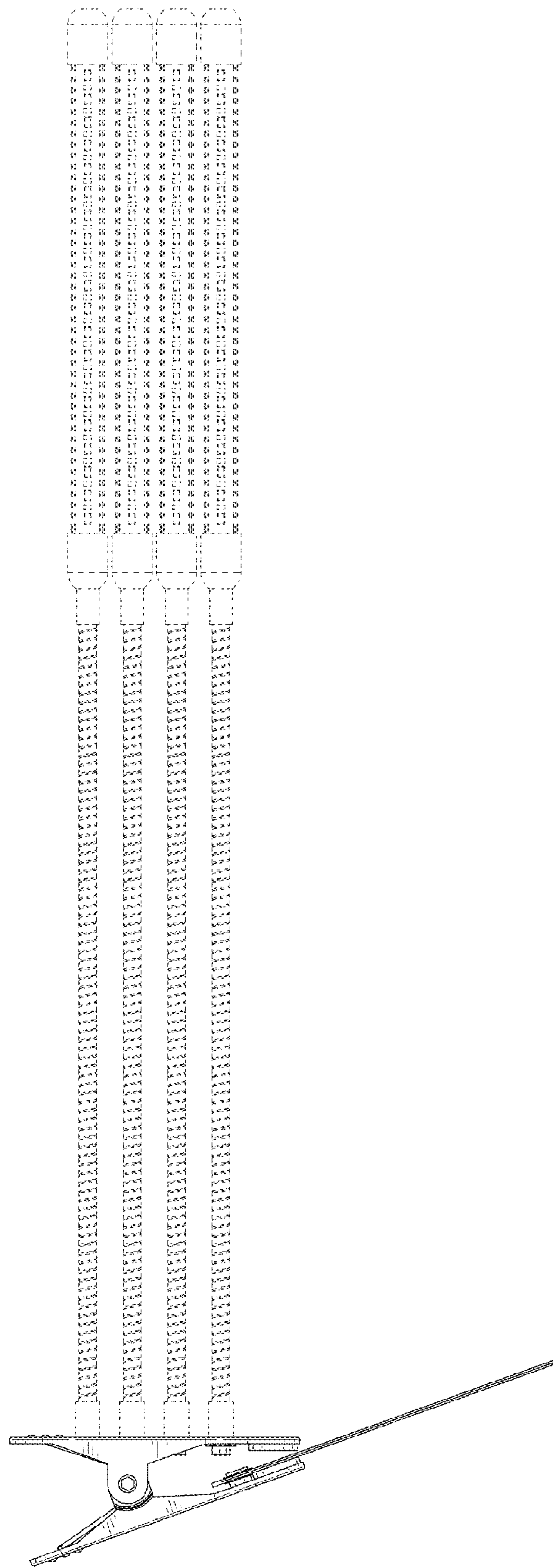


FIG. 3

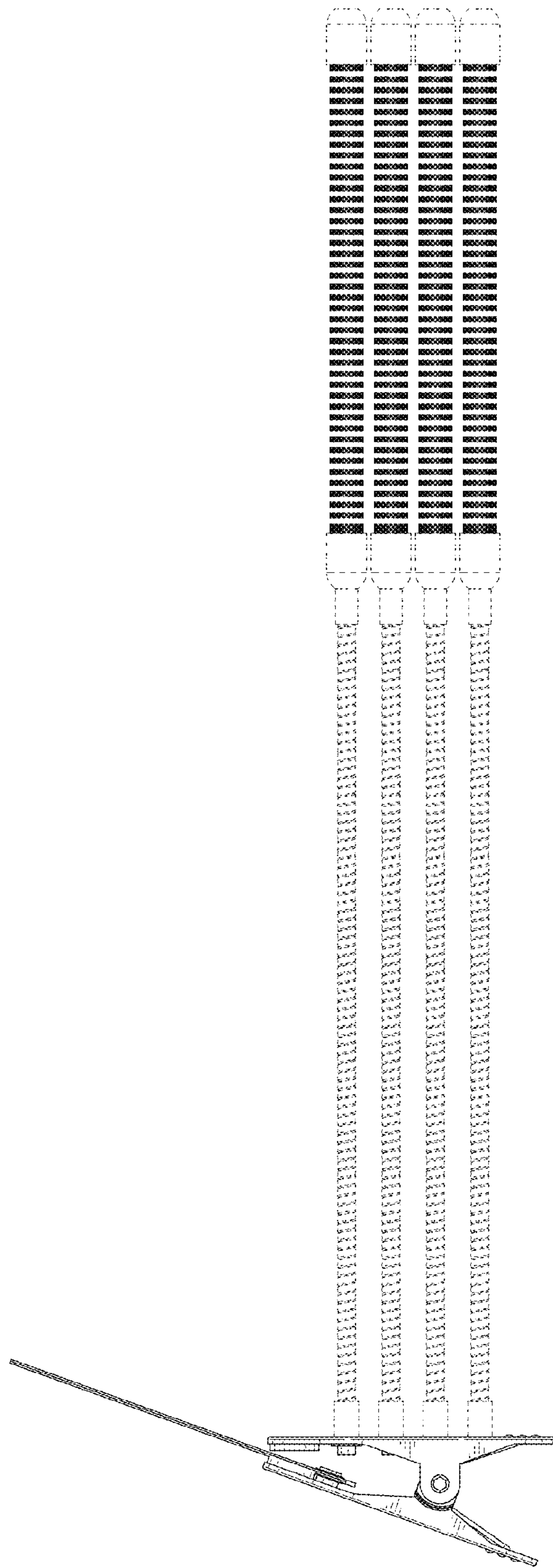


FIG. 4

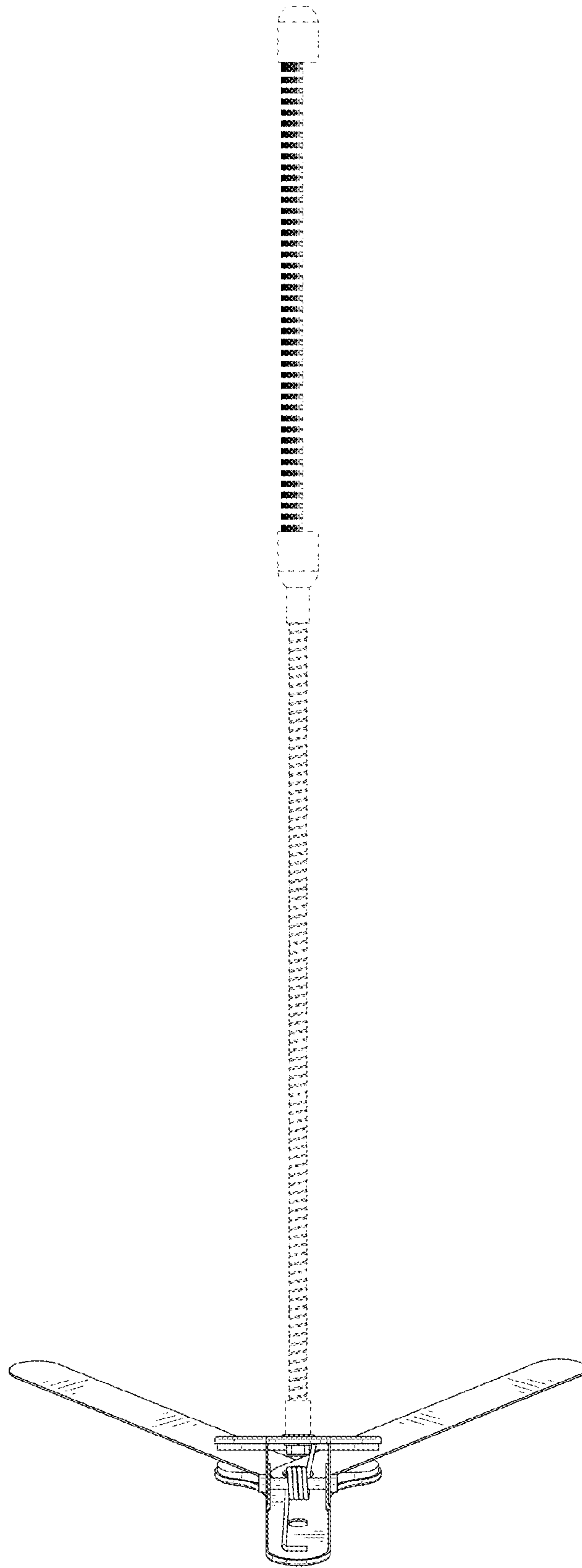


FIG. 5

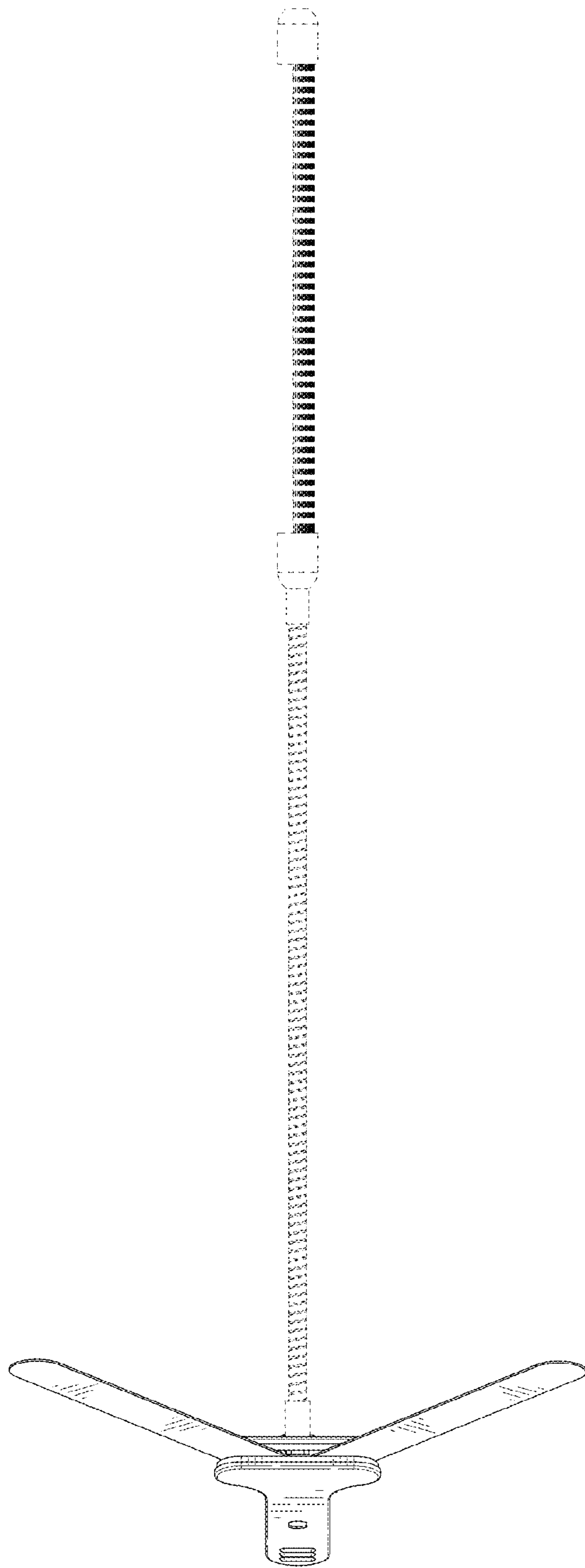


FIG. 6

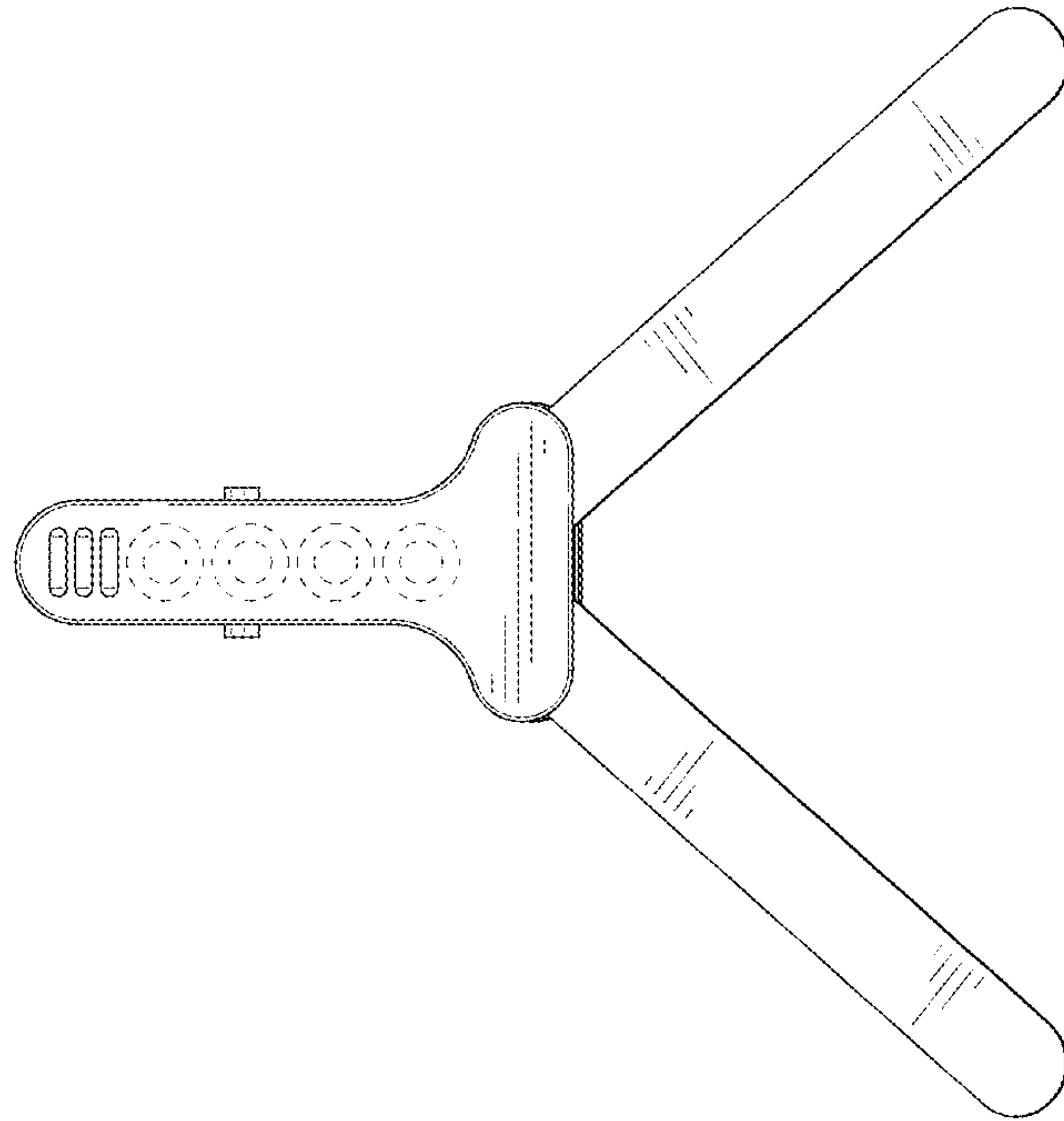


FIG. 7

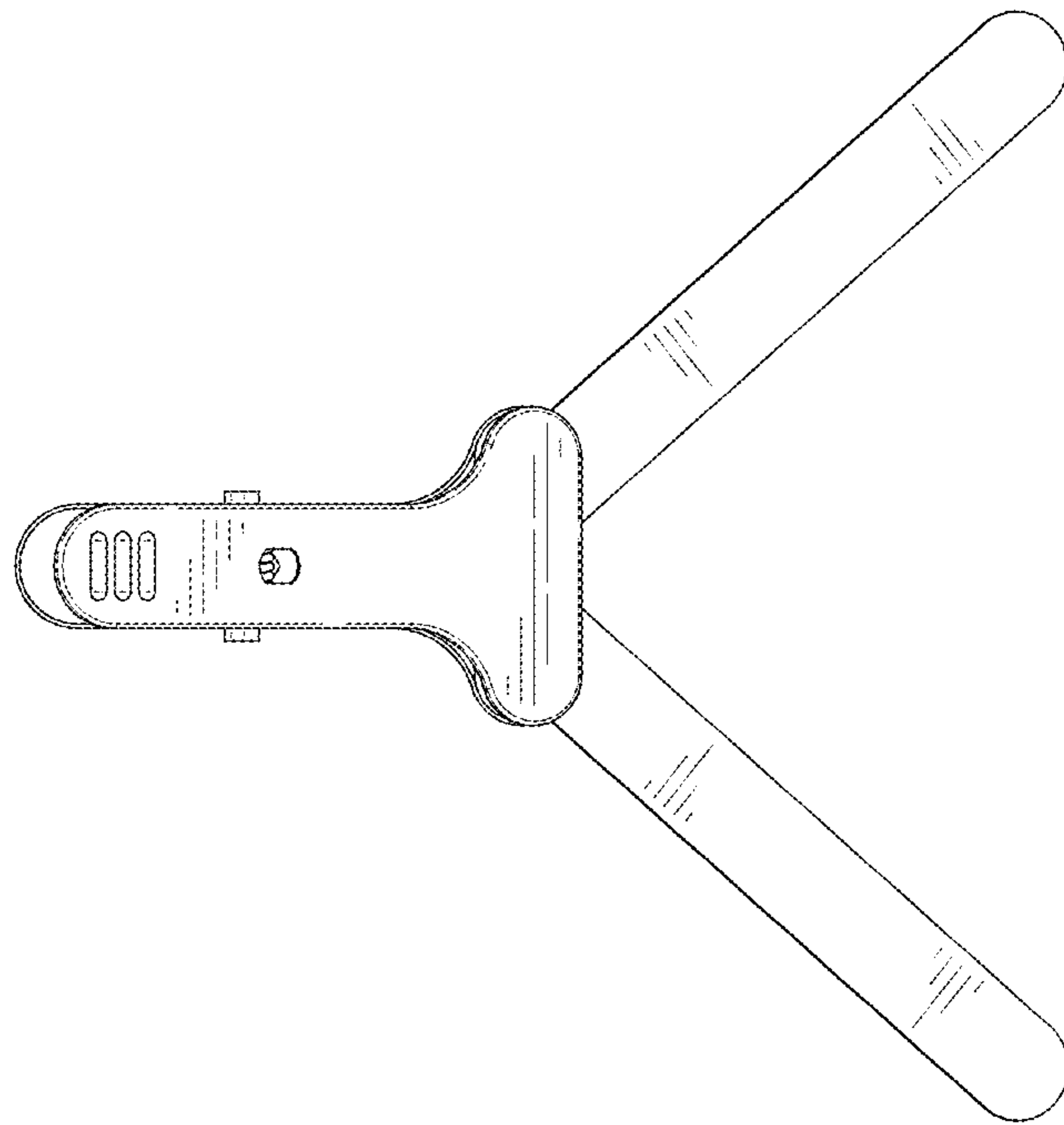


FIG. 8

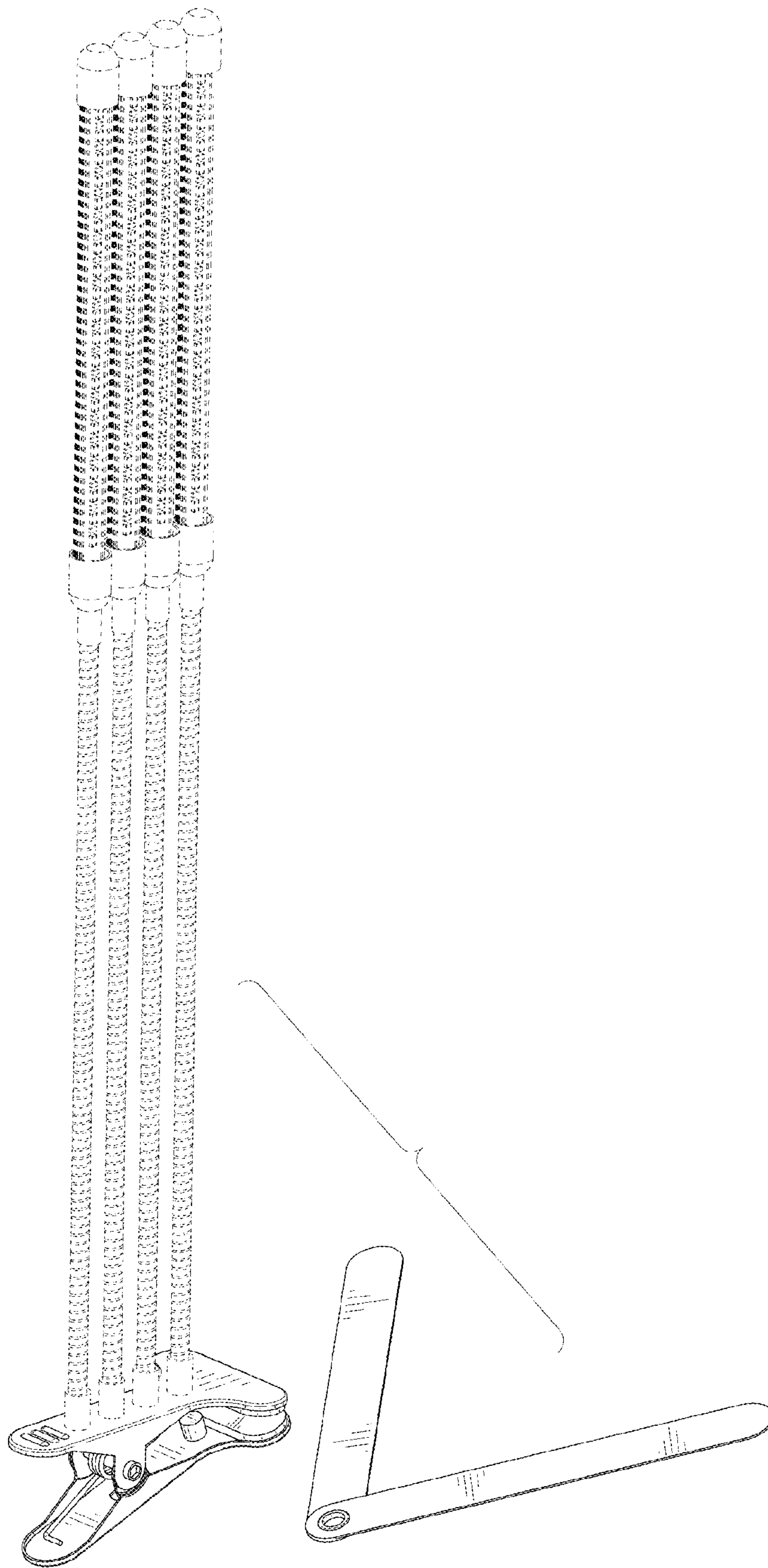


FIG. 9