



US00D939133S

(12) **United States Design Patent** (10) **Patent No.:** **US D939,133 S**  
**McRoberts** (45) **Date of Patent:** **\*\* Dec. 21, 2021**

(54) **CEILING FAN LIGHT HOOD WITH MOTOR HOUSING**

(71) Applicant: **HUNTER FAN COMPANY**,  
Memphis, TN (US)

(72) Inventor: **Claire Bernice McRoberts**, Memphis,  
TN (US)

(73) Assignee: **Hunter Fan Company**, Memphis, TN  
(US)

(\*\*) Term: **15 Years**

(21) Appl. No.: **29/704,969**

(22) Filed: **Sep. 9, 2019**

**Related U.S. Application Data**

(63) Continuation of application No. 29/635,265, filed on  
Jan. 30, 2018, now Pat. No. Des. 865,270.

(51) **LOC (13) Cl.** ..... **26-03**

(52) **U.S. Cl.**  
USPC ..... **D26/118**

(58) **Field of Classification Search**  
USPC ..... D23/377, 379, 411; D26/51, 59, 67, 71,  
D26/72, 81-89, 92, 104, 105, 110, 113,  
D26/118, 119, 128-137

CPC ..... F04D 25/088; F21V 33/0052; F21V  
33/0096; F21V 21/02; F21V 21/03; F21V  
17/002; F21V 23/002; F21V 23/04; F21V  
23/0485; F21V 23/005; F21V 23/007;  
F21V 15/01; F21V 19/04; F21V 19/006;  
F21V 7/22

See application file for complete search history.

(56) **References Cited**

**U.S. PATENT DOCUMENTS**

D19,395 S \* 10/1889 Webb ..... D26/128  
D363,540 S \* 10/1995 Yen ..... D23/377

D370,550 S \* 6/1996 Lecluze ..... D26/118  
D376,667 S \* 12/1996 Lucluze ..... D26/119  
D414,857 S 10/1999 Zuege  
D420,120 S 2/2000 Evans  
D440,341 S \* 4/2001 Arumugasaamy ..... D26/85  
D444,260 S \* 6/2001 Dolan ..... D26/92  
D494,308 S \* 8/2004 Sales ..... D26/123  
D549,813 S \* 8/2007 Gajewski ..... D23/377  
D556,939 S \* 12/2007 Gajewski ..... D26/128  
D607,138 S \* 12/2009 Pickett ..... D26/128  
D625,403 S \* 10/2010 Liu ..... D23/377  
D628,286 S \* 11/2010 Yang ..... D23/411  
D631,185 S \* 1/2011 Ku ..... D26/120  
D654,617 S \* 2/2012 Marquardt ..... D26/120

(Continued)

**OTHER PUBLICATIONS**

Bishop Hill Installation Manual <https://images.thdstatic.com/catalog/pdfImages/5f/5fbf1da3-0dee-4626-ae5f-c490f91c8a2f.pdf> Last modified Nov. 9, 2018 (Year: 2018).\*

(Continued)

*Primary Examiner* — Leanne Was-Englehart

(74) *Attorney, Agent, or Firm* — McGarry Bair PC

(57) **CLAIM**

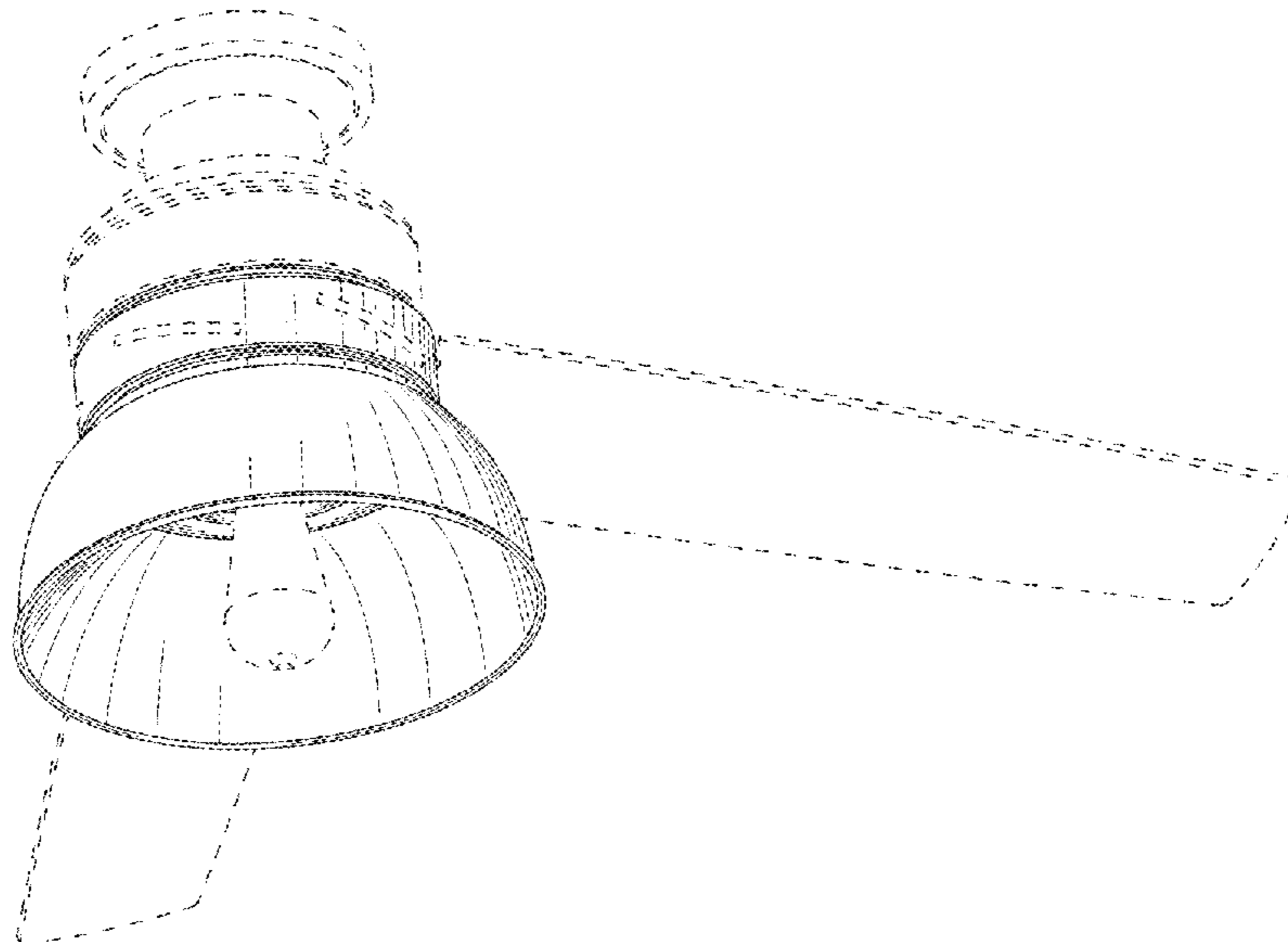
The ornamental design for a ceiling fan light hood with motor housing, as shown and described.

**DESCRIPTION**

FIG. 1 is a top perspective view of a ceiling fan light hood with motor housing, showing my new design; FIG. 2 is a bottom perspective view thereof; FIG. 3 is a top view thereof; FIG. 4 is a bottom view thereof; and, FIG. 5 is a side view thereof.

Portions of the ceiling fan light hood with motor housing are shown in broken lines. Portions shown in broken lines form no part of the claimed design.

**1 Claim, 5 Drawing Sheets**



(56)

**References Cited**

U.S. PATENT DOCUMENTS

D679,857	S	*	4/2013	Hsu	.....	D26/120
D699,149	S	*	2/2014	Wolf	.....	D11/153
D803,470	S	*	11/2017	Austin, III	.....	D26/118
D808,510	S	*	1/2018	Gajewski	.....	D23/377
D810,912	S	*	2/2018	McRoberts	.....	D23/377
D821,008	S	*	6/2018	Guthrie	.....	D26/59
D822,192	S	*	7/2018	Haggar	.....	D23/411
D834,734	S	*	11/2018	Guthrie	.....	D26/59
D845,534	S	*	4/2019	Van Duysen	.....	D26/87
D865,270	S	*	10/2019	McRoberts	.....	D26/118
D888,221	S	*	6/2020	O'Connell	.....	D23/377
D904,597	S	*	12/2020	O'Connell	.....	D23/411

OTHER PUBLICATIONS

<http://www.hunterfan.com/Ceiling-Fans/Mill-Valley?ModelNumber=59311>, Hunter Fan, Mill Valley Low Profile, 52" Ceiling Fan, Model No. 59311 in Matte Silver Finish, accessed Sep. 19, 2017.

<http://www.hunterfan.com/Ceiling-Fans/Walford?ModelNumber=59071>, Hunter Fan, Walford, 52" Ceiling Fan, Model No. 59071 in Brushed Nickel Finish, accessed Sep. 19, 2017.

<http://www.hunterfan.com/Ceiling-Fans/Lindbeck?ModelNumber=59209>, Hunter Fan, Lindbeck, 52" Ceiling Fan, Model No. 59209 in Brushed Steel Finish, accessed Sep. 19, 2017.

<http://www.hunterfan.com/Ceiling-Fans/Cranbrook?ModelNumber=59258>, Hunter Fan, Cranbrook, 52" Ceiling Fan, Model No. 59258 in Mint Finish, accessed Sep. 19, 2017.

<http://www.hunterfan.com/Ceiling-Fans/Bennett?ModelNumber=54187>, Hunter Fan, Bennett with Globe Light, 52" Ceiling Fan, Model No. 54187 in Matte Black Finish, accessed Sep. 19, 2017.

<http://www.hunterfan.com/Ceiling-Fans/Crown-Canyon-Collection?ModelNumber=53352>, Hunter Fan, Crown Canyon Collection, 52" Ceiling Fan, Model No. 53352 in Regal Bronze Finish, accessed Sep. 19, 2017.

<http://www.minkagroup.net/minka-aire/products>, Minka Shade, 56" 4-Blades LED Ceiling Fan, Model No. F683L-BNW in Brushed Nickel Finish with Silver Blades w/ Clear Fresnel Glass, accessed Sep. 19, 2017.

\* cited by examiner

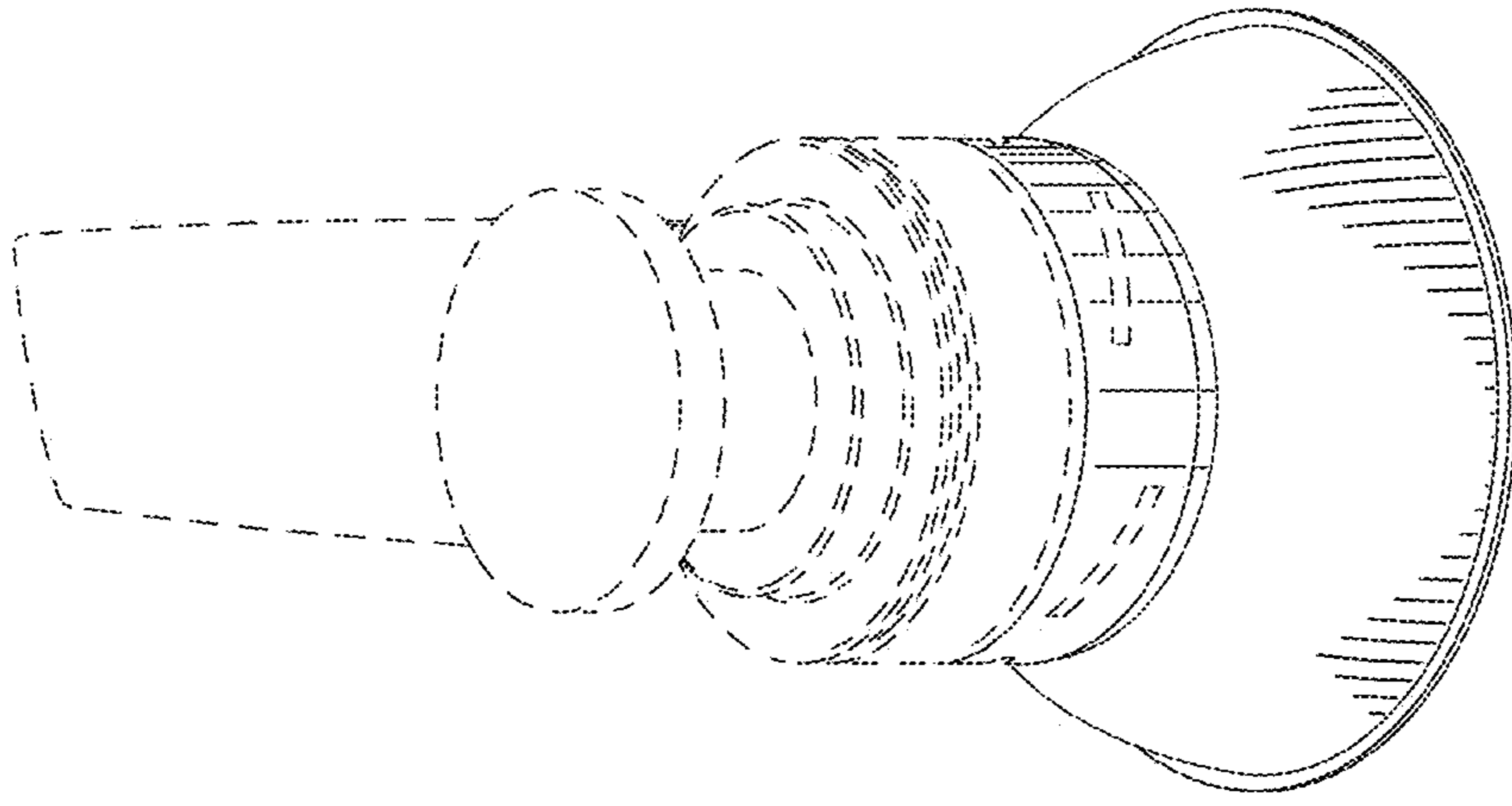


FIG. 1

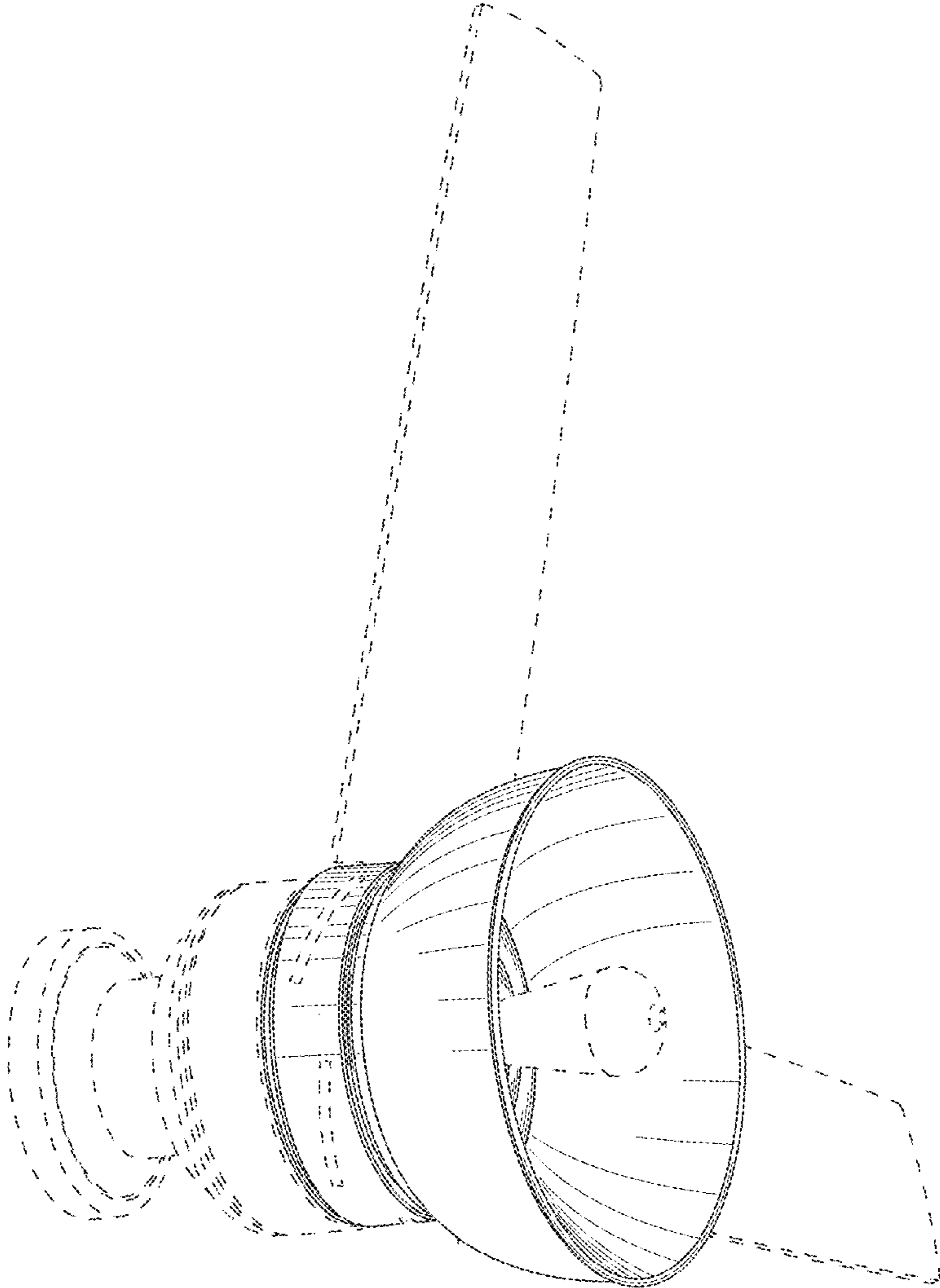


FIG. 2

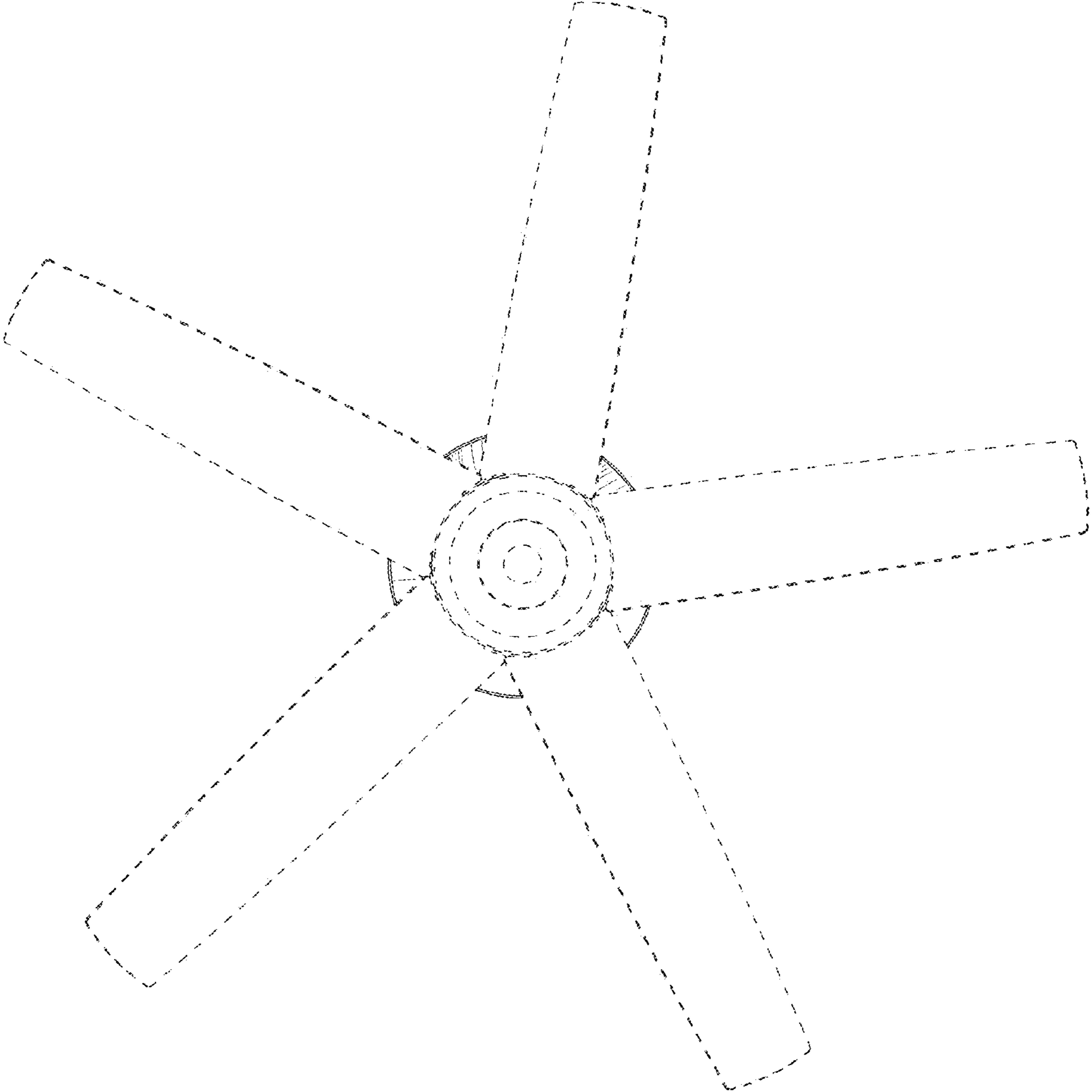


FIG. 3

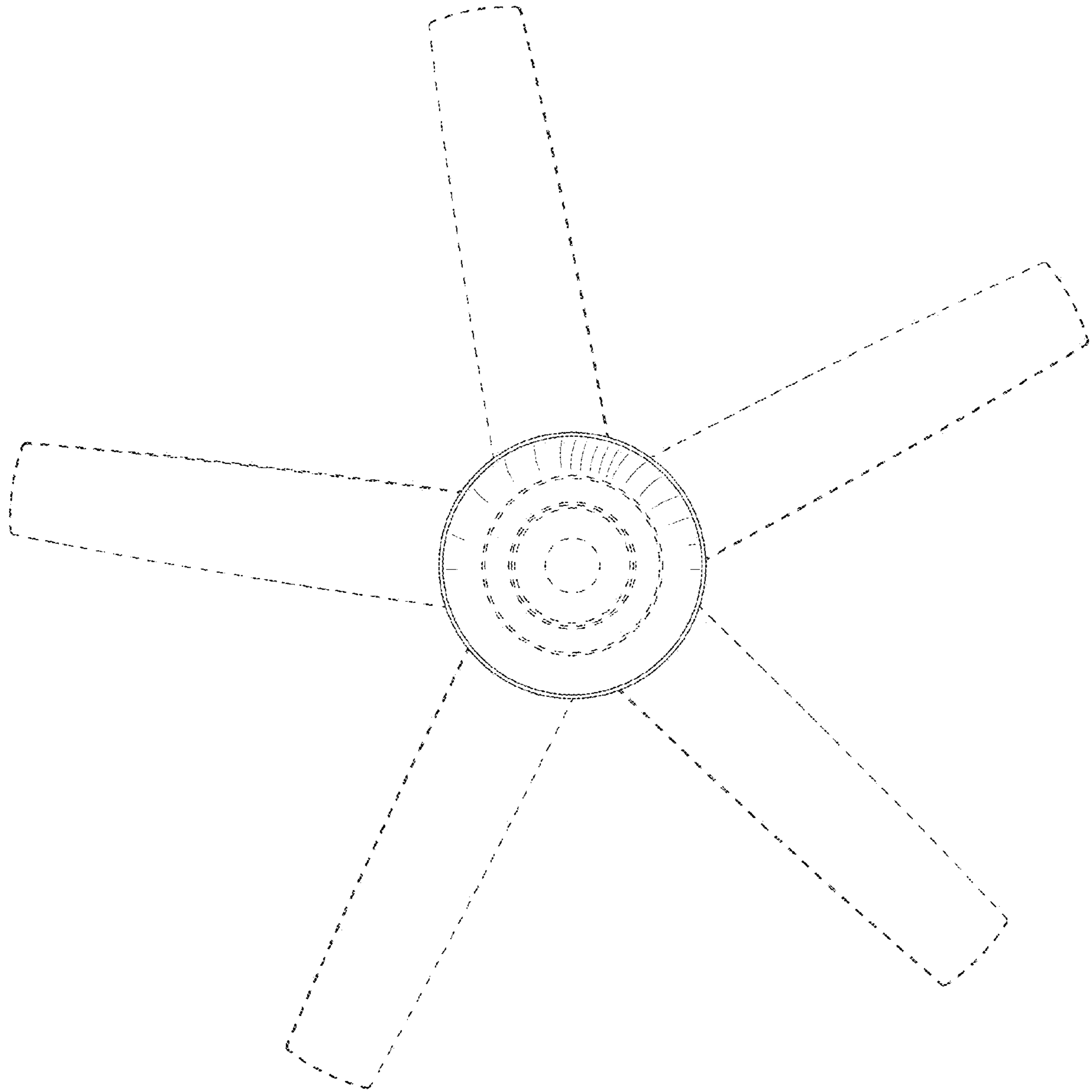


FIG. 4

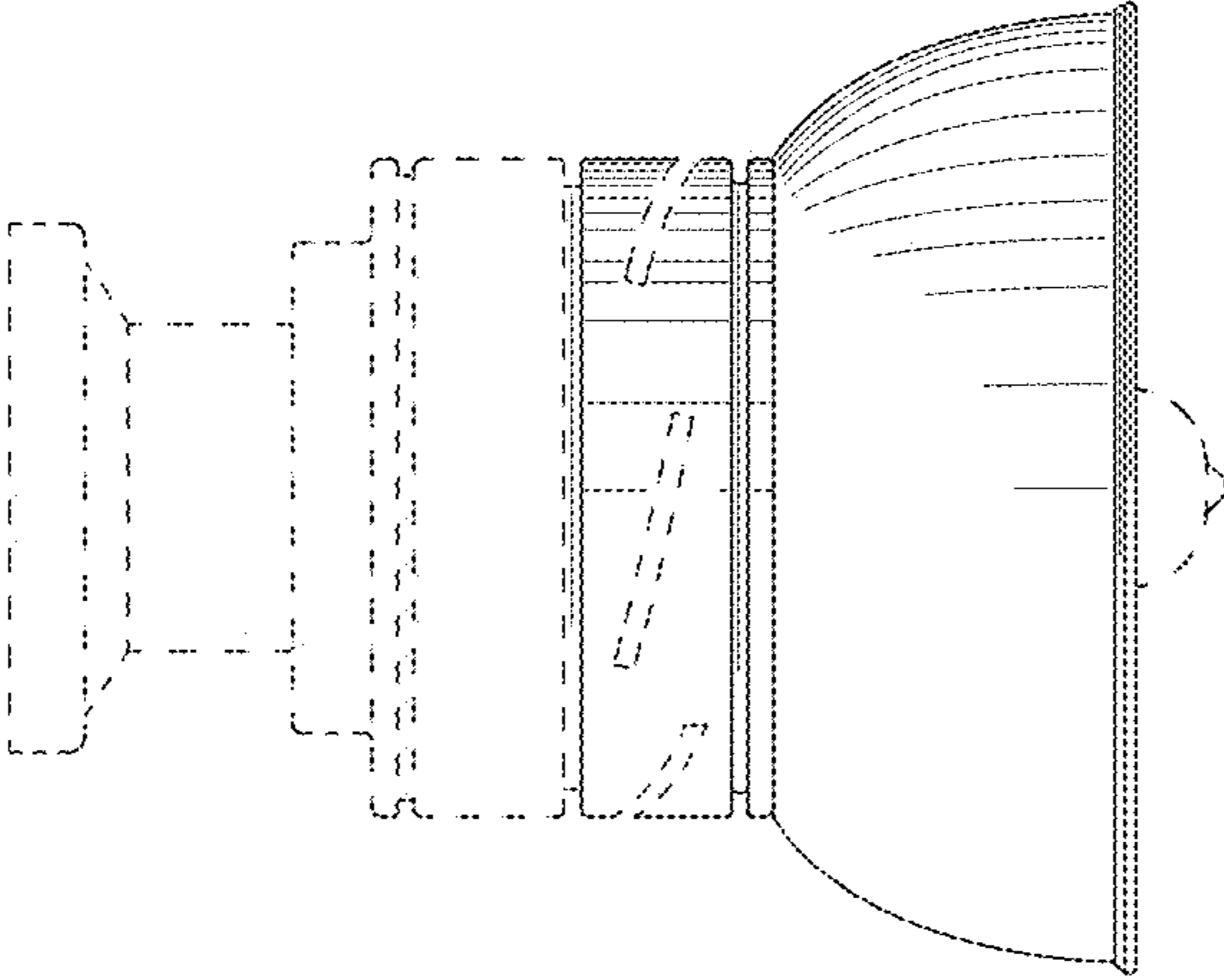


FIG. 5