

US00D939132S

(12) **United States Design Patent** (10) **Patent No.:** **US D939,132 S**
Velez (45) **Date of Patent:** **** Dec. 21, 2021**

(54) **LAMP**

OTHER PUBLICATIONS

(71) Applicant: **HOLLY HUNT ENTERPRISES, INC.**, Chicago, IL (US)
(72) Inventor: **Alberto Velez**, Chicago, IL (US)
(73) Assignee: **HOLLY HUNT ENTERPRISES, INC.**
(**) Term: **15 Years**
(21) Appl. No.: **29/703,542**
(22) Filed: **Aug. 28, 2019**
(51) **LOC (13) Cl.** **26-05**
(52) **U.S. Cl.**
USPC **D26/110**
(58) **Field of Classification Search**
USPC D26/93, 104, 110
CPC ... F21W 2131/00; F21W 2131/30; F21S 6/00;
F21S 6/002; F21S 8/08; F21V 21/02
See application file for complete search history.

Holly Hunt on Twitter The Ronin Table Lamp <https://twitter.com/HollyHuntDesign/status/1184827474087174144> Oct. 17, 2019 (Year: 2019).*
Hollyhunt ronin table lamp <https://web.archive.org/web/20201125133932/https://www.hollyhunt.com/product/ronin-table-lamp> Nov. 25, 2020 (Year: 2020).*
Denignable, *Silver Metal Decorative Table Lamp with Gold Shade by Old World Design* <http://shop.denignable.com/silver-metal-wave-decorative-table-lamp-with-gold-drum-shade>, Copyright date 2018, print date Aug. 27, 2019, pp. 1-4.
Ebay, *Mid Century Hollywood Regency Decorative Scroll Work Pattern Metal Table Lamp*, <https://www.ebay.com/itm/Mid-Century-Hollywood-Regency-Decorative-Scroll-Work-Pattern-Metal-Table-Lamp-/293051605986>, Copyright date 1995-2019, print date Aug. 27, 2019, pp. 1-2.

(Continued)

Primary Examiner — Leanne Was-Englehart
(74) *Attorney, Agent, or Firm* — The Belles Group, P.C.

(57) **CLAIM**

The ornamental design for a lamp, as shown and described.

(56) **References Cited**

DESCRIPTION

U.S. PATENT DOCUMENTS

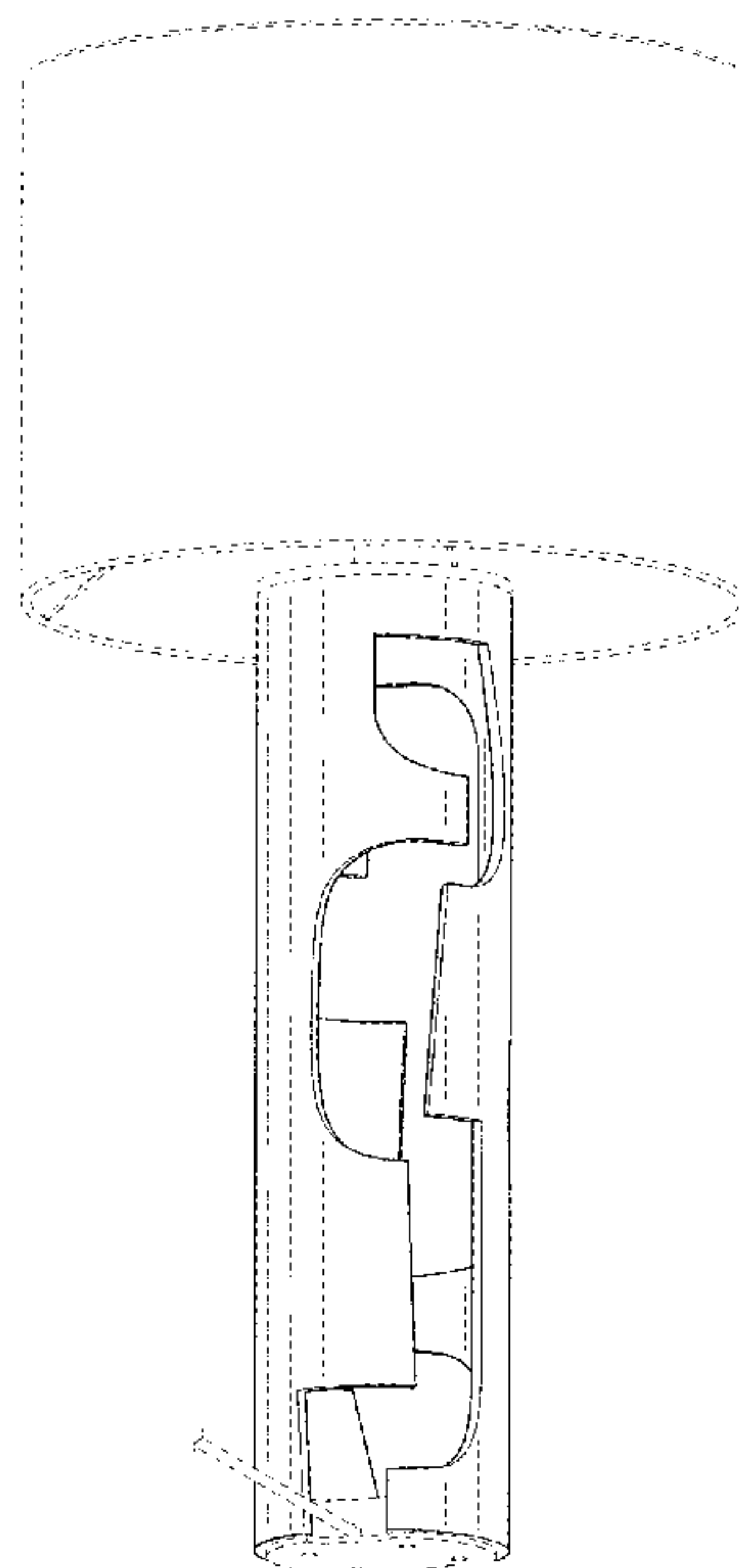
D186,618 S * 11/1959 Haywood D26/110
D188,734 S * 8/1960 Jacobs D26/93
D309,993 S * 8/1990 Miklos D26/110
D544,637 S * 6/2007 McMinn D26/110
D675,368 S * 1/2013 Leonard D26/110
D698,468 S 1/2014 Beregszaszi et al.
D751,749 S * 3/2016 Lovegrove D26/93
D774,240 S 12/2016 Velez
D774,241 S 12/2016 Velez et al.
D774,684 S 12/2016 Velez et al.
D826,460 S 8/2018 Velez et al.

FIG. 1 is a top front perspective view of a lamp according to the new design;
FIG. 2 is a bottom rear perspective view thereof;
FIG. 3 is a front view thereof;
FIG. 4 is a rear view thereof;
FIG. 5 is a right side view thereof;
FIG. 6 is a left side view thereof;
FIG. 7 is a top view thereof; and,
FIG. 8 is a bottom view thereof.
The broken lines illustrate portions of the lamp that form no part of the claimed design.

FOREIGN PATENT DOCUMENTS

CN 2599382 Y 1/2004

1 Claim, 8 Drawing Sheets



(56)

References Cited

OTHER PUBLICATIONS

Lamps Plus, *Exposition Bronze Diamond Ball Metal Table Lamp*, <https://www.ebay.com/itm/Mid-Century-Hollywood-Regency-Decorative-Scroll-Work-Pattern-Metal-Table-Lamp-/293051605986>, print date Aug. 27, 2019, pp. 3.

Overstock, *Diamond Metal Decorative Patterned Table Lamp with Fabric Shade*, <https://www.overstock.com/Lighting-Ceiling-Fans/Diamond-Metal-Decorative-Patterned-Table-Lamp-with-Fabric-Shade/10275090/product.html>, print date Aug. 27, 2019, pp. 1-6.

Visual Comfort & Co., *Alexa Hampton Yul 30 inch 60 watt Gun Metal Decorative Table Lamp Portable Light*, <https://www.visualcomfortlightinglights.com/product/visual-comfort-alexahampton-yul-table-lamps-ah3034gm-np.html>.

* cited by examiner

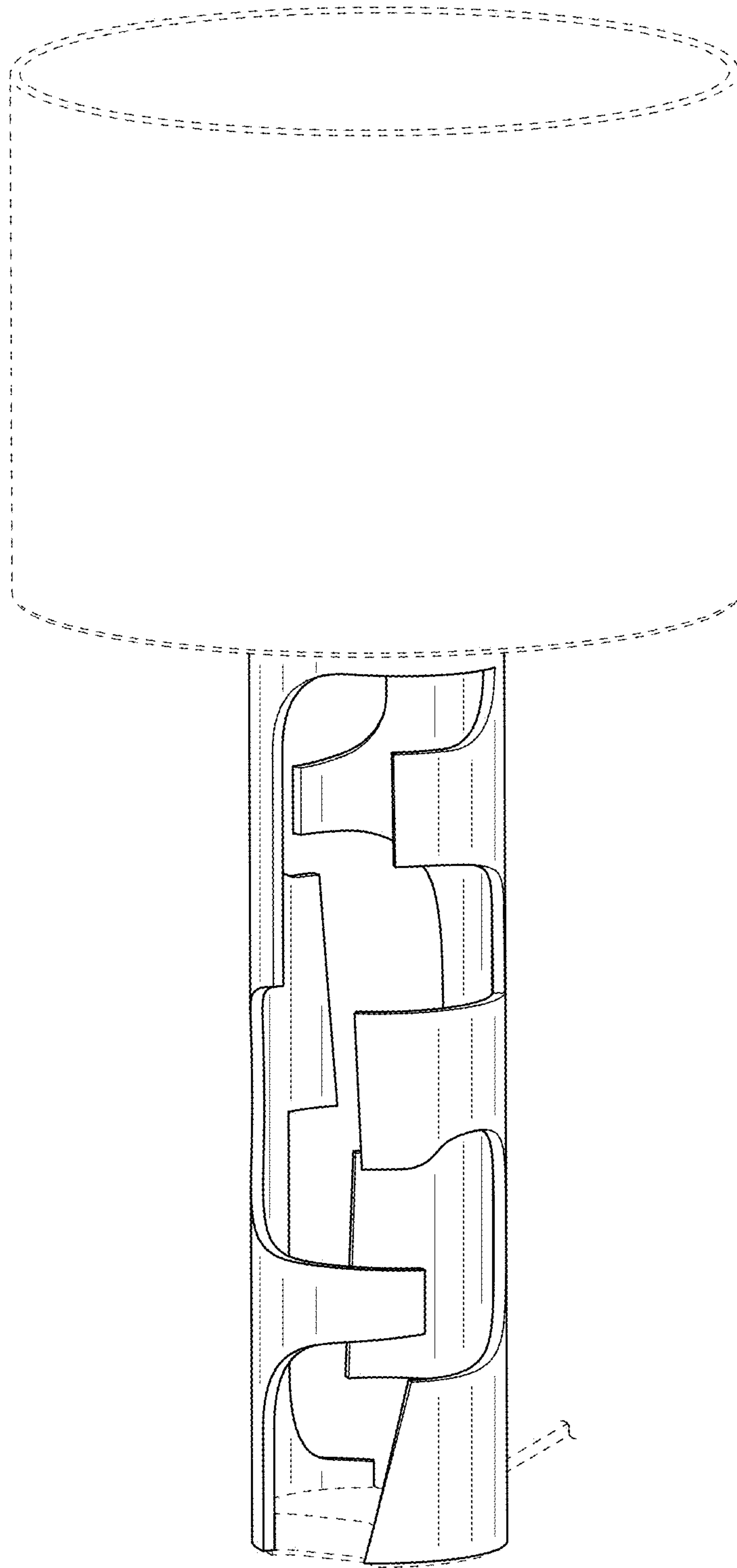


FIG. 1

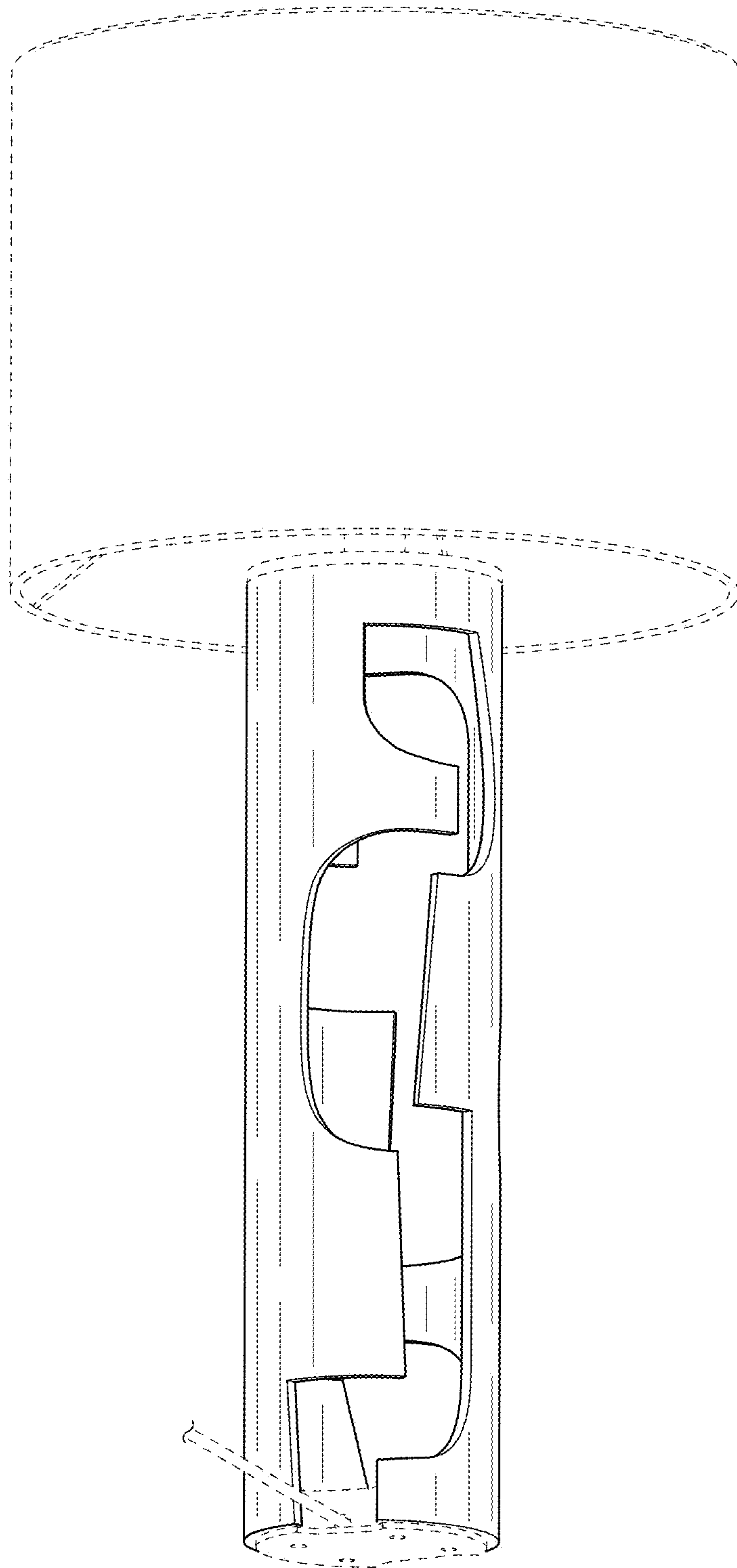


FIG. 2

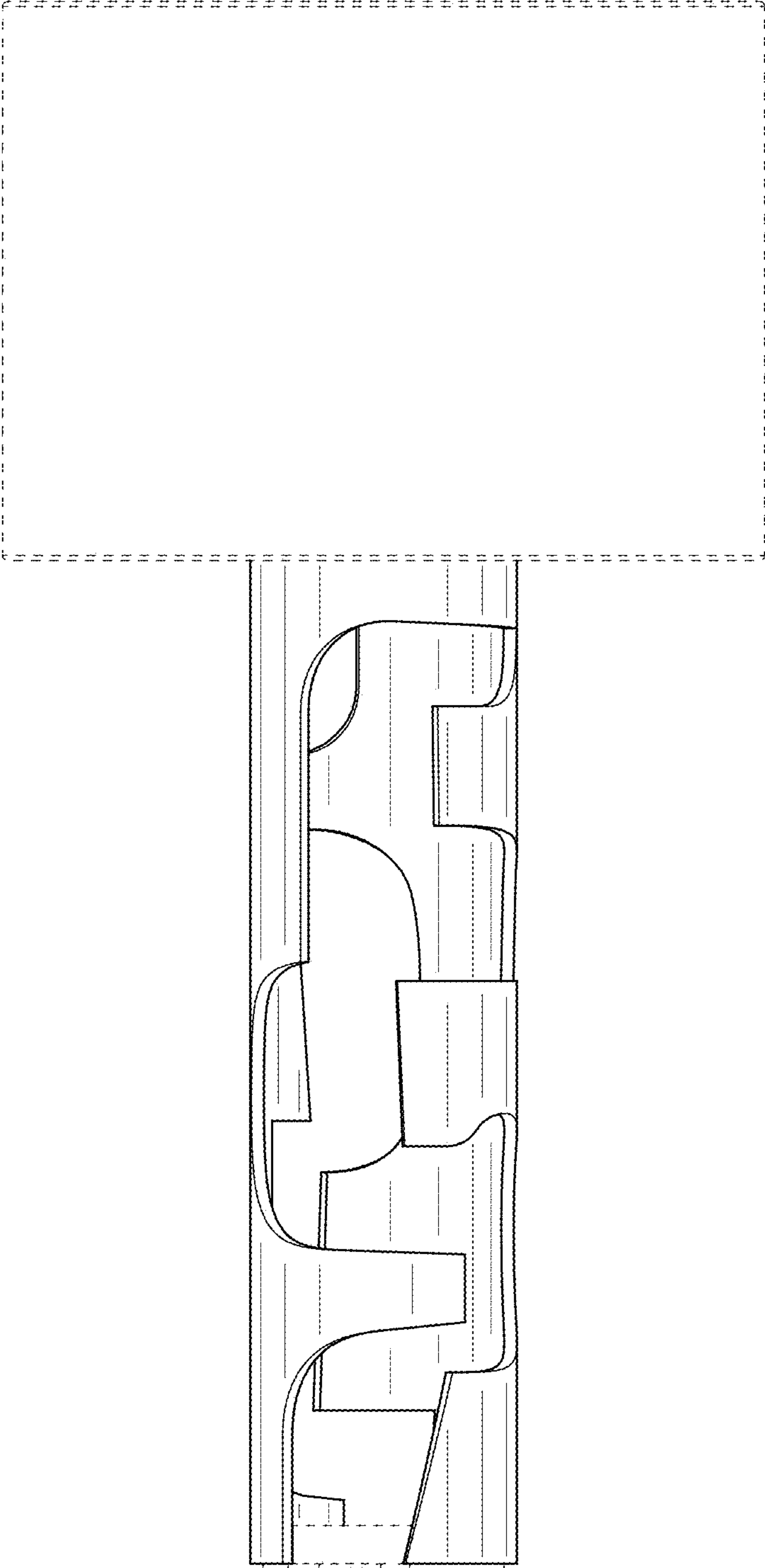


FIG. 3

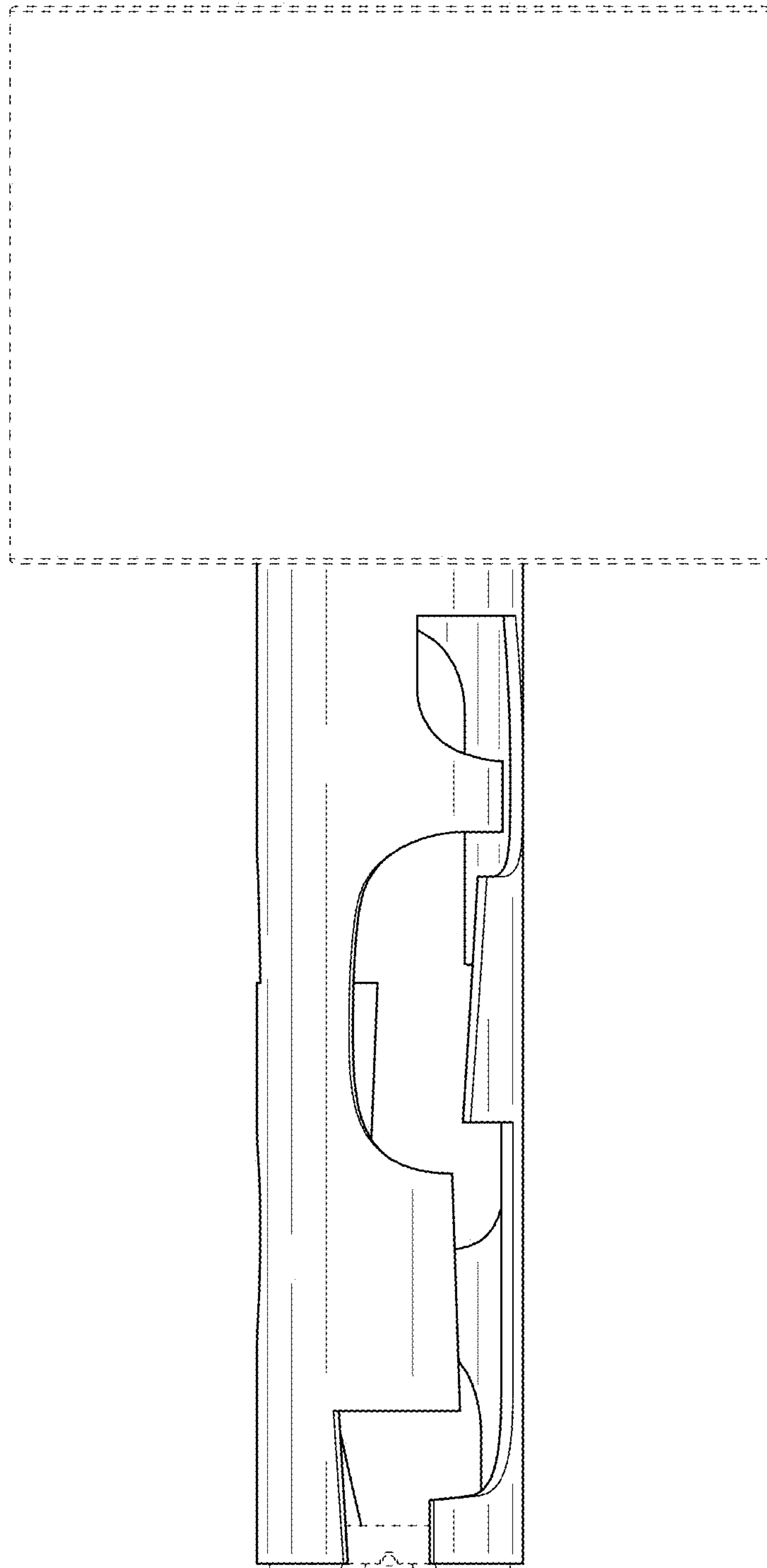


FIG. 4

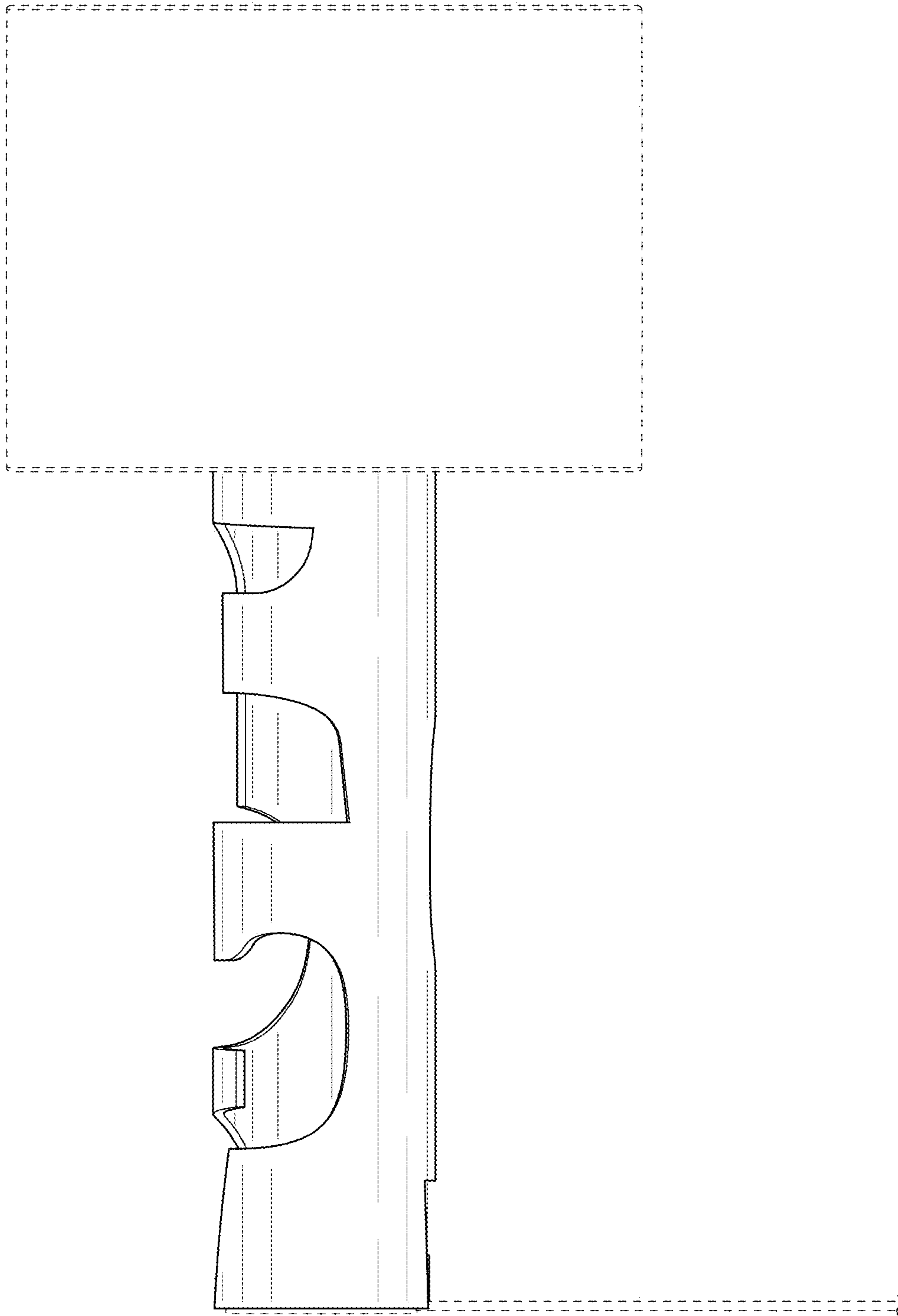


FIG. 5

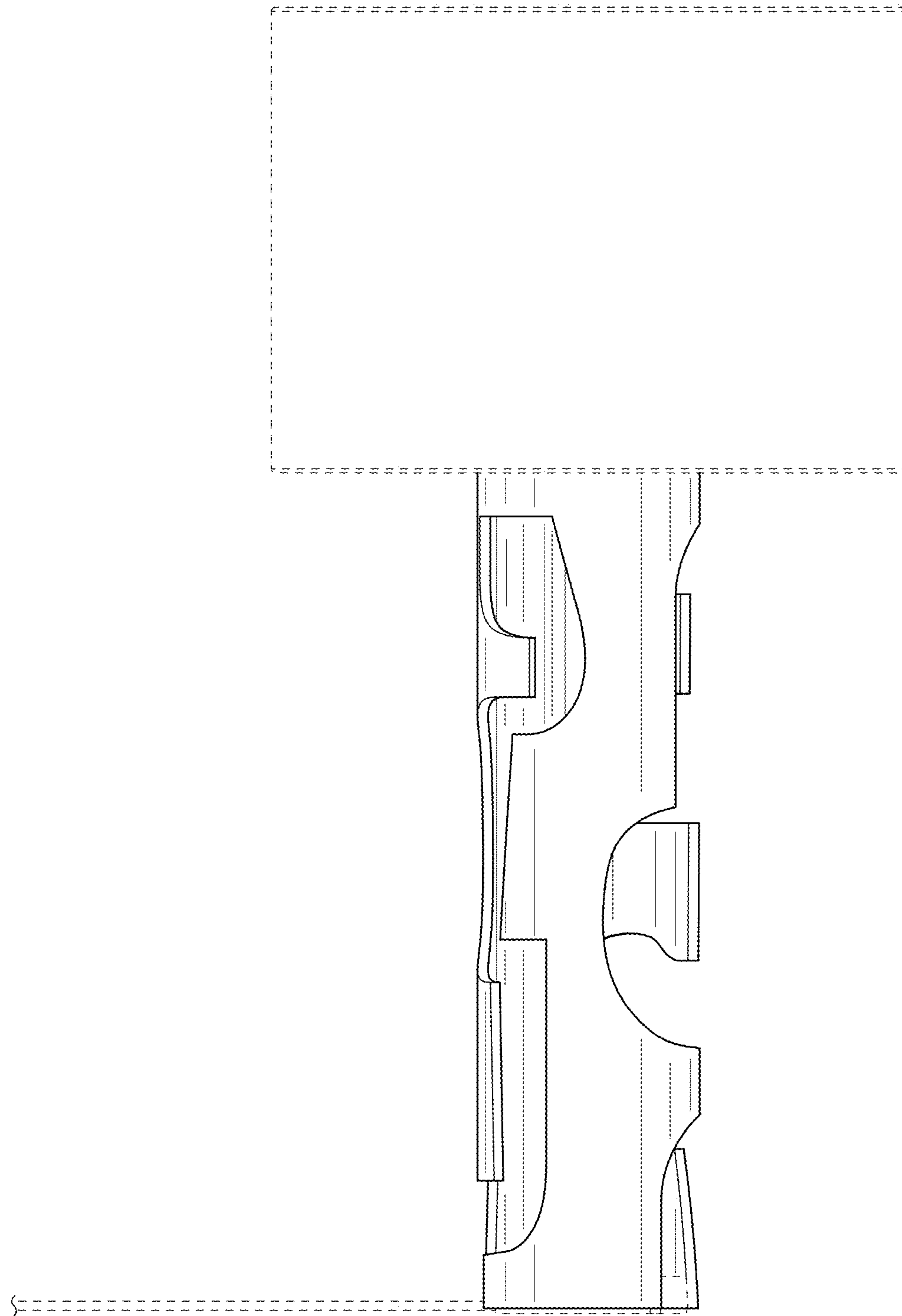


FIG. 6

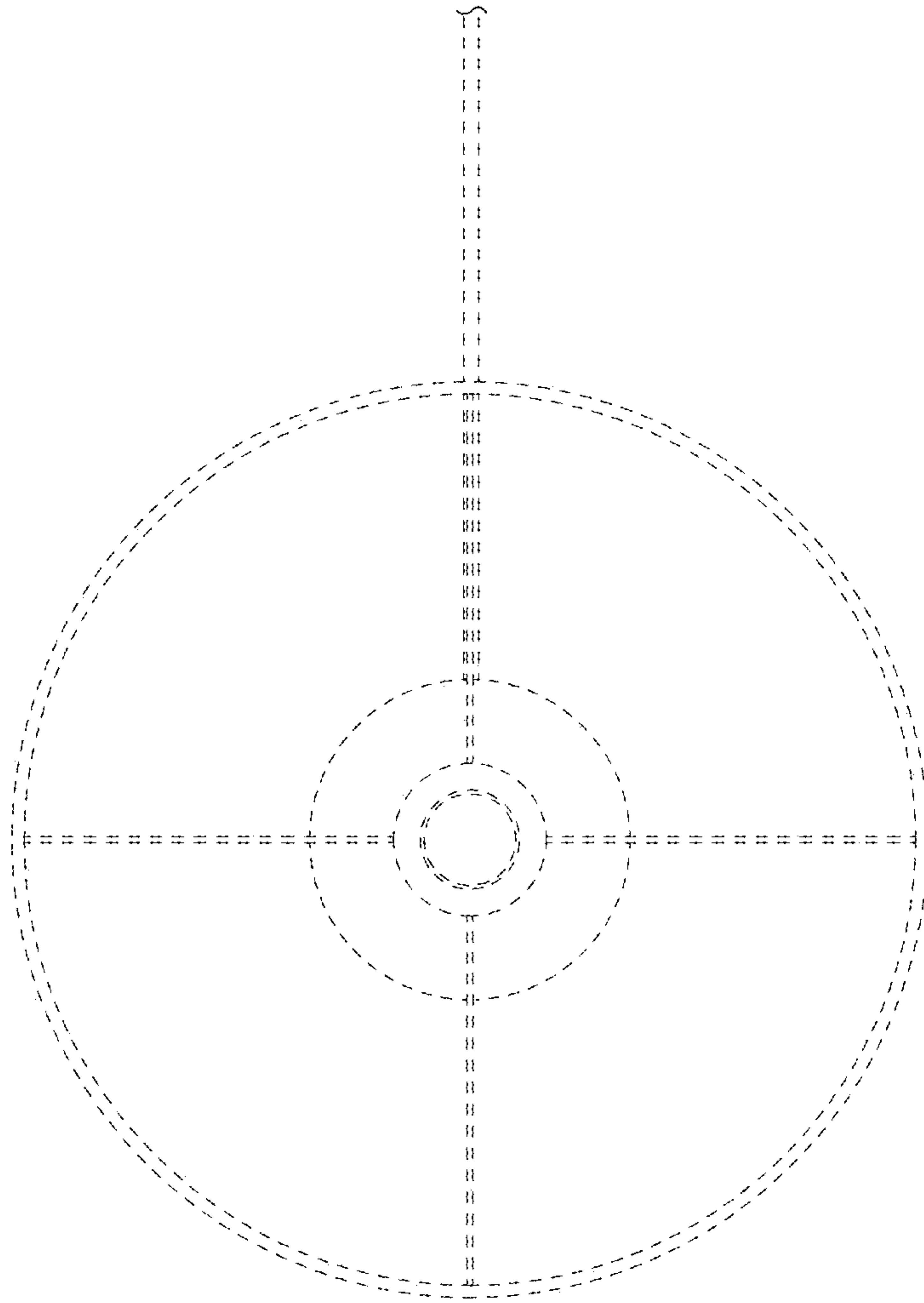


FIG. 7

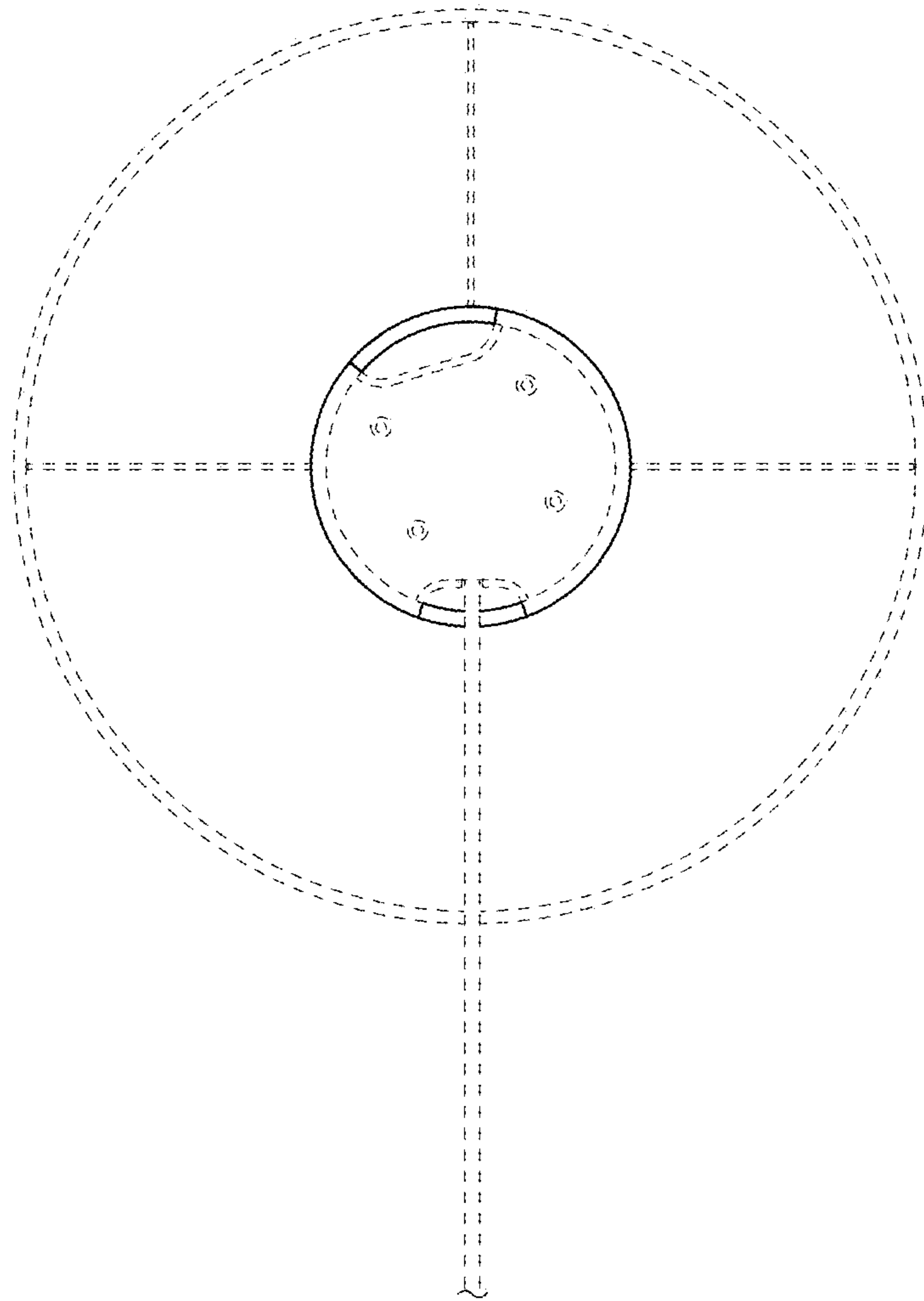


FIG. 8