

US00D939130S

(12) **United States Design Patent**  
**Browning**

(10) **Patent No.:** **US D939,130 S**

(45) **Date of Patent:** **\*\* Dec. 21, 2021**

(54) **PENDANT LAMP**

(71) Applicant: **RH US, LLC**, Corte Madera, CA (US)

(72) Inventor: **John Richard Browning**, San Francisco, CA (US)

(73) Assignee: **RH US, LLC**, Corte Madera, CA (US)

(\*\*) Term: **15 Years**

(21) Appl. No.: **29/750,639**

(22) Filed: **Sep. 15, 2020**

(51) **LOC (13) Cl.** ..... **26-03**

(52) **U.S. Cl.**  
USPC ..... **D26/88**; D26/119

(58) **Field of Classification Search**  
USPC ..... D26/72, 80, 84-88, 92, 119  
CPC .. F21S 8/033; F21S 8/035; F21S 8/036; F21S 8/04; F21S 8/043; F21S 8/046; F21S 8/06; F21S 8/061; F21S 8/063; F21S 8/065; F21S 8/066; F21S 8/068  
See application file for complete search history.

(56) **References Cited**

**U.S. PATENT DOCUMENTS**

D81,532 S *	7/1930	Gosling	.....	D26/88
3,258,239 A *	6/1966	Green	.....	F21V 17/02
				248/342
D207,178 S *	3/1967	Atkin et al.	.....	D26/87
D443,379 S *	6/2001	Xu	.....	D26/87
D447,591 S *	9/2001	Hsu	.....	D26/84
D488,580 S *	4/2004	Hsu	.....	D26/92
D541,973 S *	5/2007	Dolan	.....	D26/87
D667,161 S *	9/2012	Chen	.....	D26/87
D673,319 S *	12/2012	Guercio	.....	D26/87
D697,660 S *	1/2014	Sabernig	.....	D26/87
D754,908 S *	4/2016	Orozco	.....	D26/87
D821,017 S *	6/2018	Brannon	.....	D26/87
2006/0291219 A1 *	12/2006	Chen	.....	F21V 21/16
				362/382

**OTHER PUBLICATIONS**

Tolson Cage Pendant Item #A1823 available from rejuvenation.com, visited Oct. 28, 2021. (Year: 2021).\*

(Continued)

*Primary Examiner* — Clare E Heflin

(74) *Attorney, Agent, or Firm* — Lewis Roca Rothgerber Christie LLP

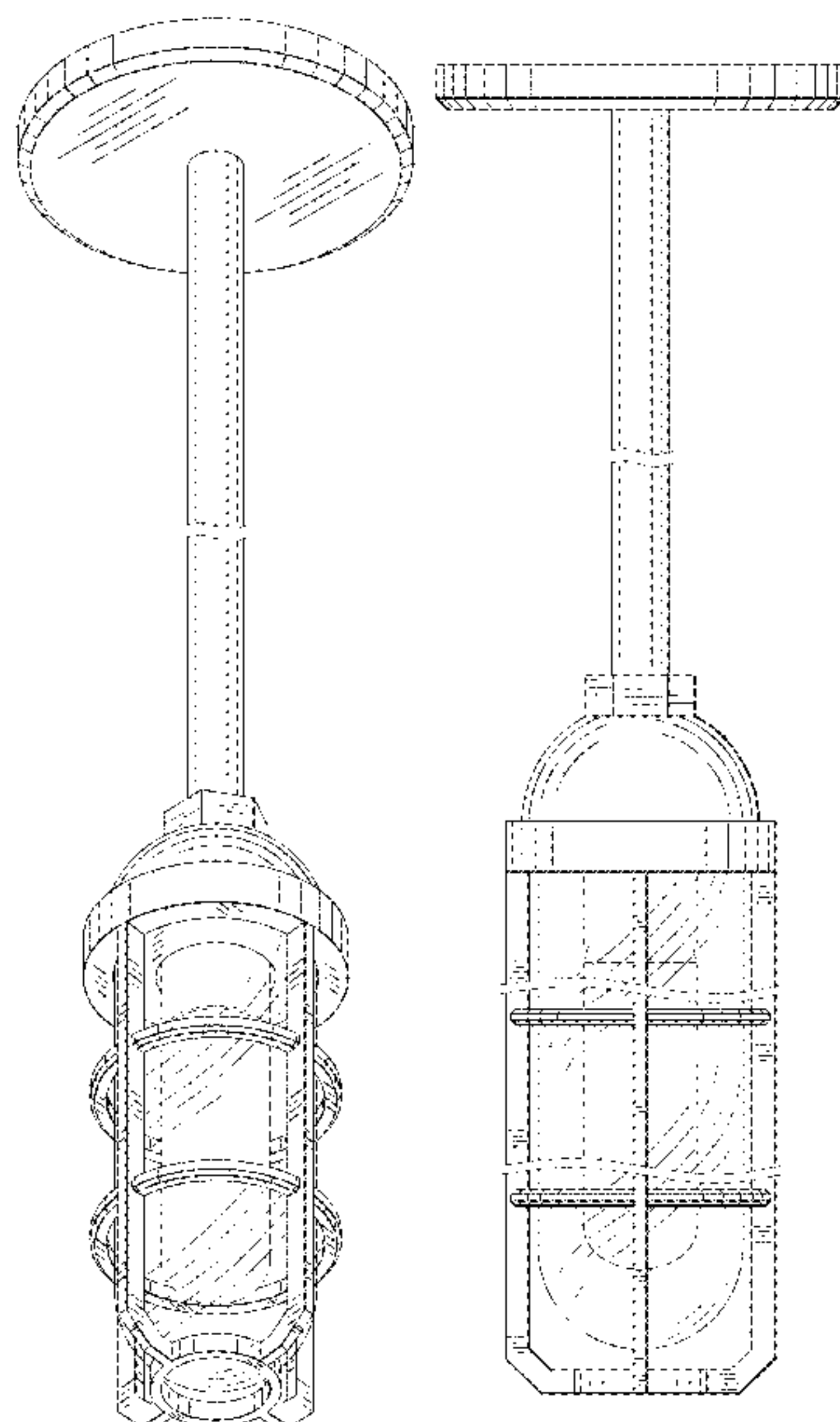
(57) **CLAIM**

The ornamental design for a pendant lamp, as shown and described.

**DESCRIPTION**

FIG. 1 is a perspective view of a first embodiment of a pendant lamp showing my new design; FIG. 2 is a right side elevation view thereof, the left side being a mirror image; FIG. 3 is a front elevation view thereof, the rear being a mirror image; FIG. 4 is a top plan view thereof; FIG. 5 is a bottom plan view thereof; FIG. 6 is a perspective view of a second embodiment of a pendant lamp showing my new design; FIG. 7 is a right side elevation view thereof, the left side being a mirror image; FIG. 8 is a front elevation view thereof, the rear being a mirror image; FIG. 9 is a top plan view thereof; and, FIG. 10 is a bottom plan view thereof. The broken lines show environmental subject matter and form no part of the claimed design. The second embodiment is shown with symbolic breaks in height in FIGS. 6-8, and those portions of the article between the break lines form no part of the claimed design.

**1 Claim, 4 Drawing Sheets**



(56)

**References Cited**

OTHER PUBLICATIONS

Feiss Urban Renewal Industrial Vintage Pendant P1240DAB, ASIN: B006ZAQN8C available from amazon.com Jan. 18, 2012. (Year: 2012).\*

Blackband Iron Cage Pendant Light, available from <<https://www.rovert.com.au/product/blackband-iron-cage-pendant-light/>>, visited Oct. 28, 2021. (Year: 2021).\*

Epsom—Heavy Cast Industrial Cage Pendant available from <<https://www.lightboxshop.co.uk/epsom-heavy-cast-industrial-cage-pendant.html>> visited Oct. 28, 2021. (Year: 2021).\*

\* cited by examiner

FIG. 1

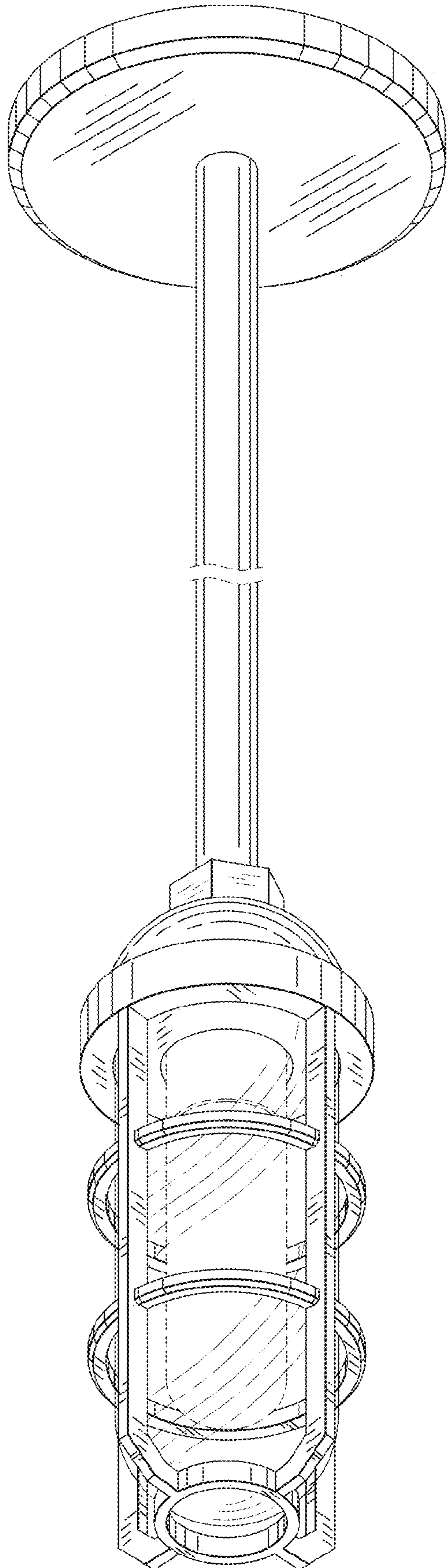


FIG. 4

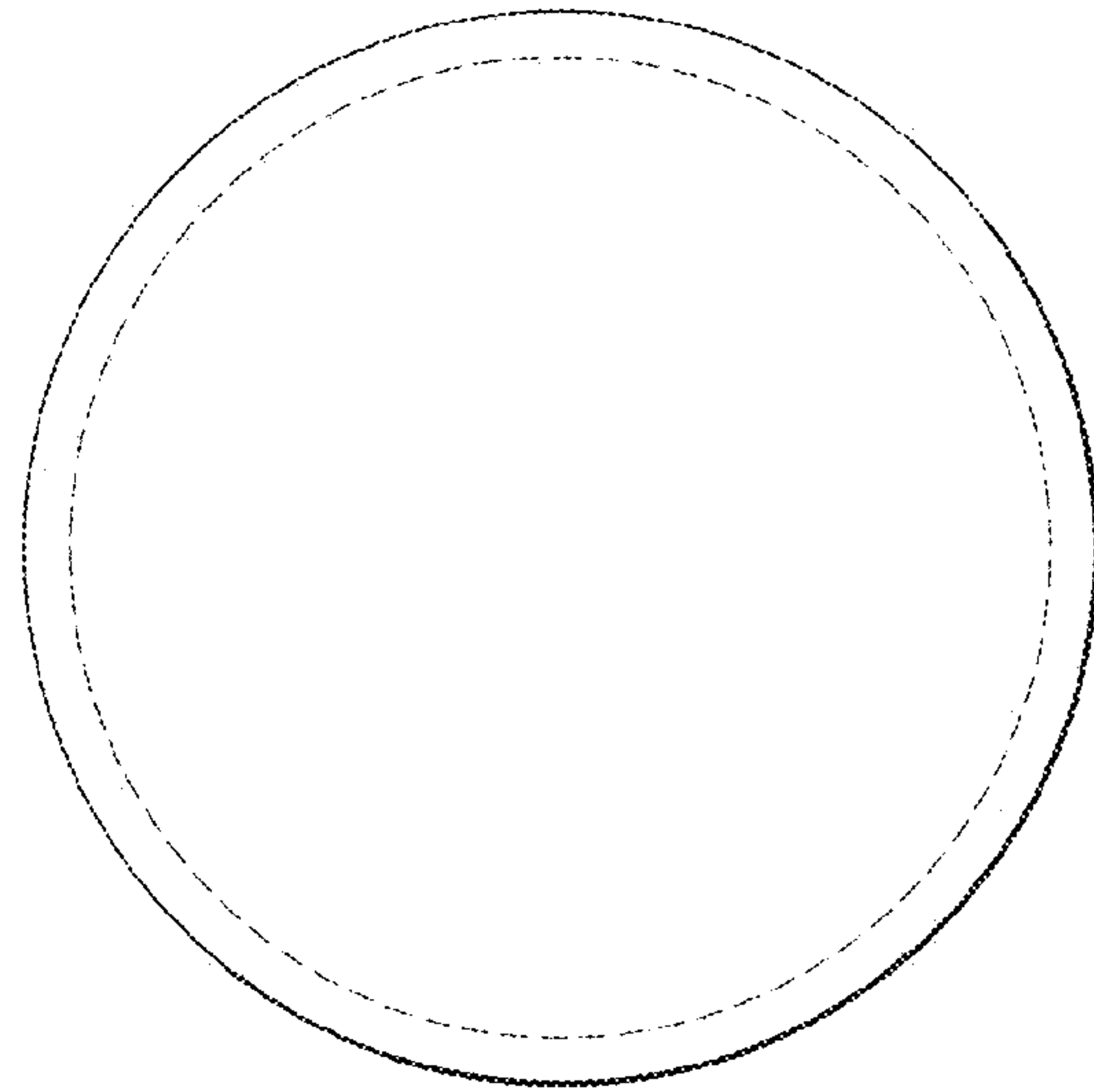


FIG. 5

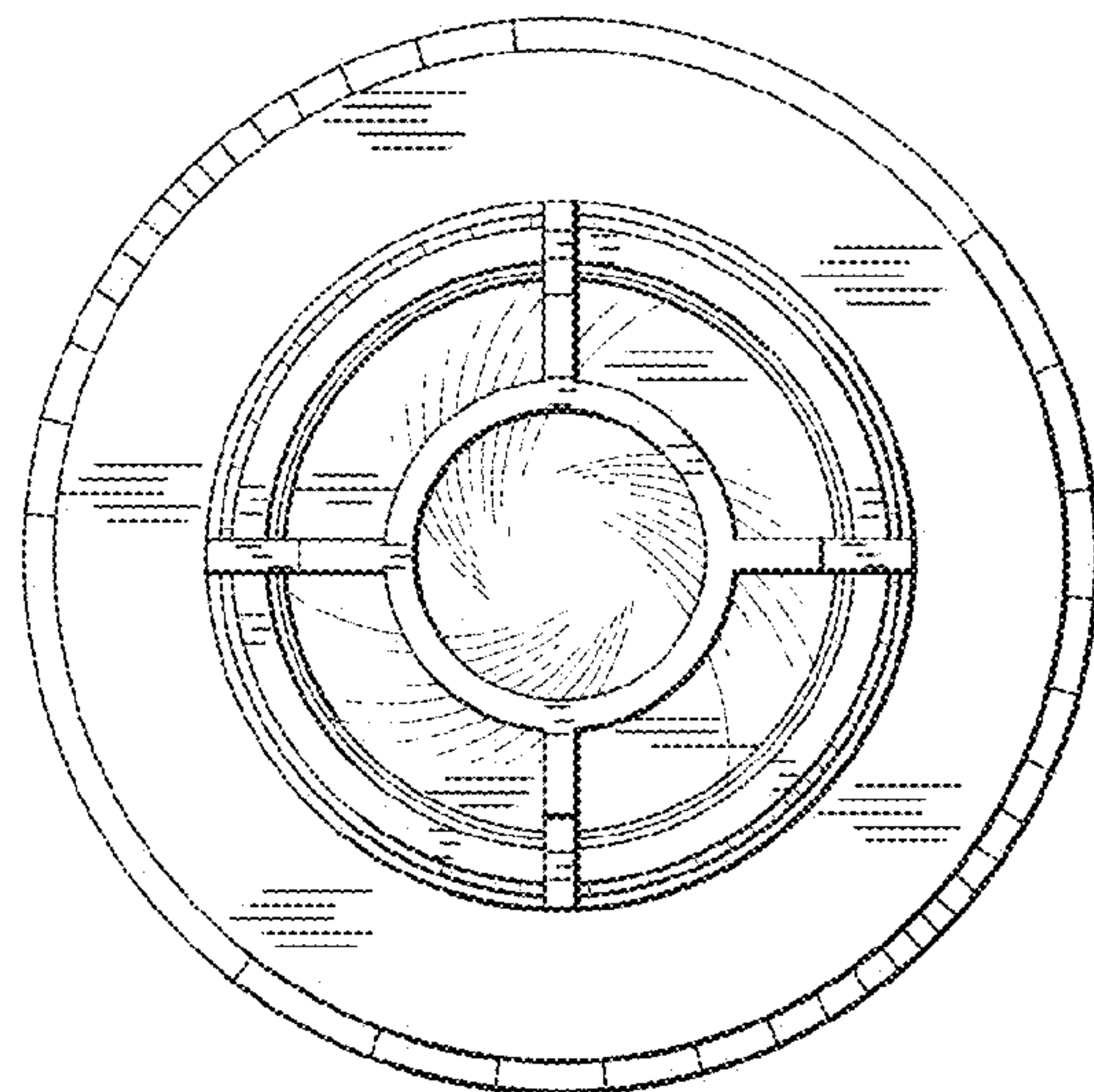




FIG. 2

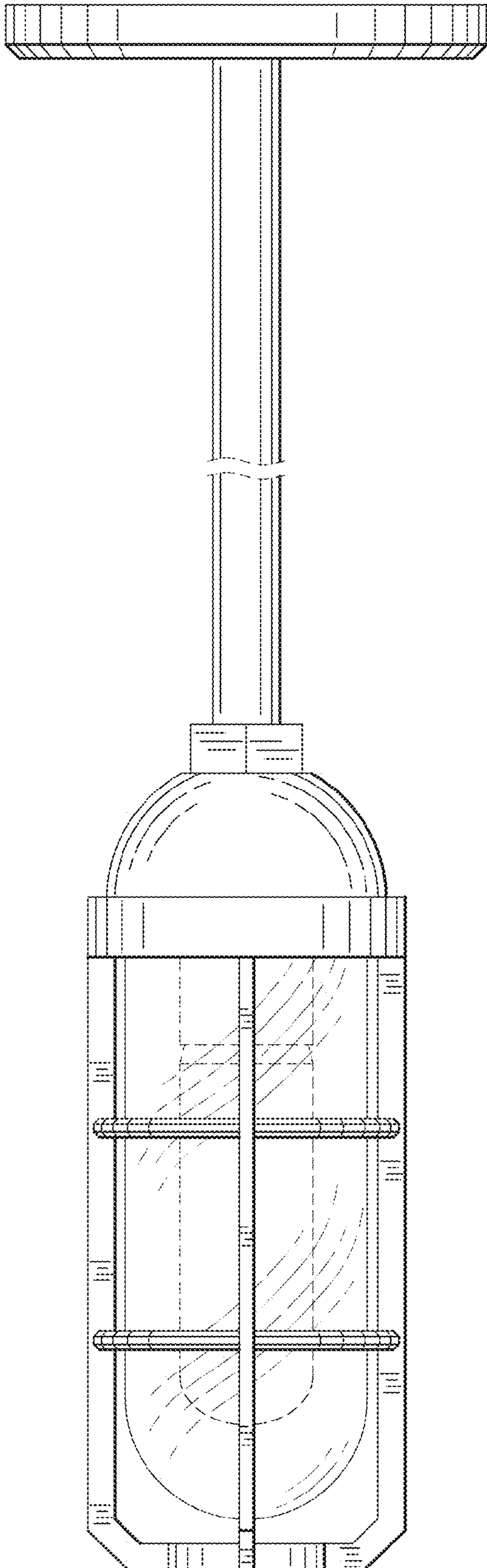


FIG. 3

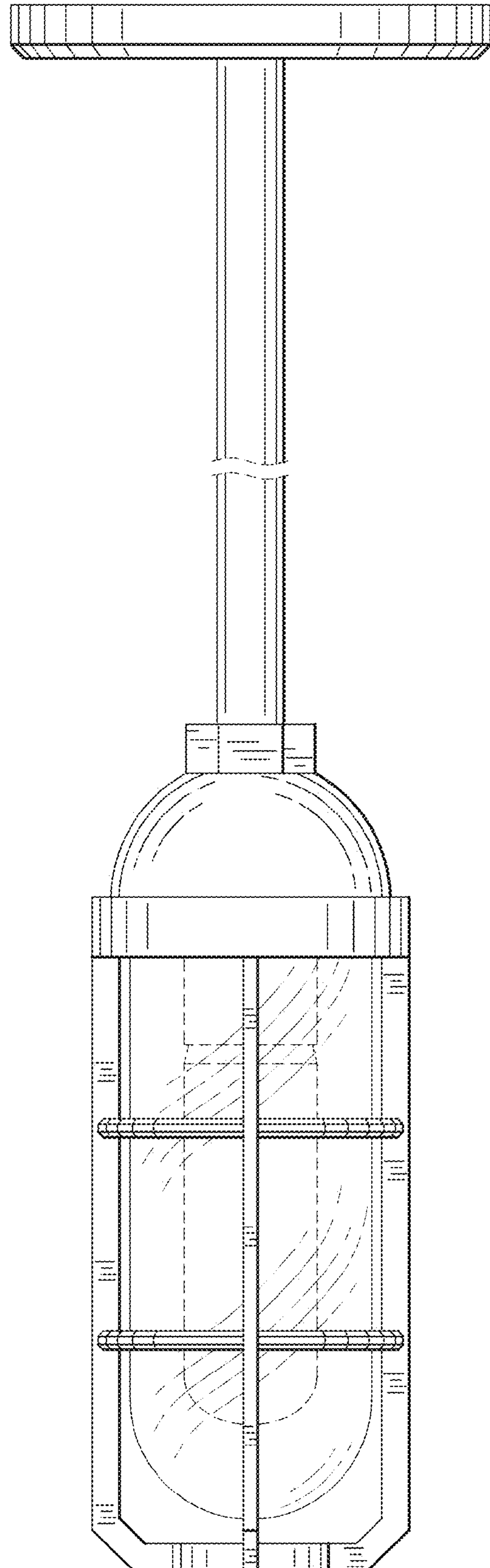


FIG. 6

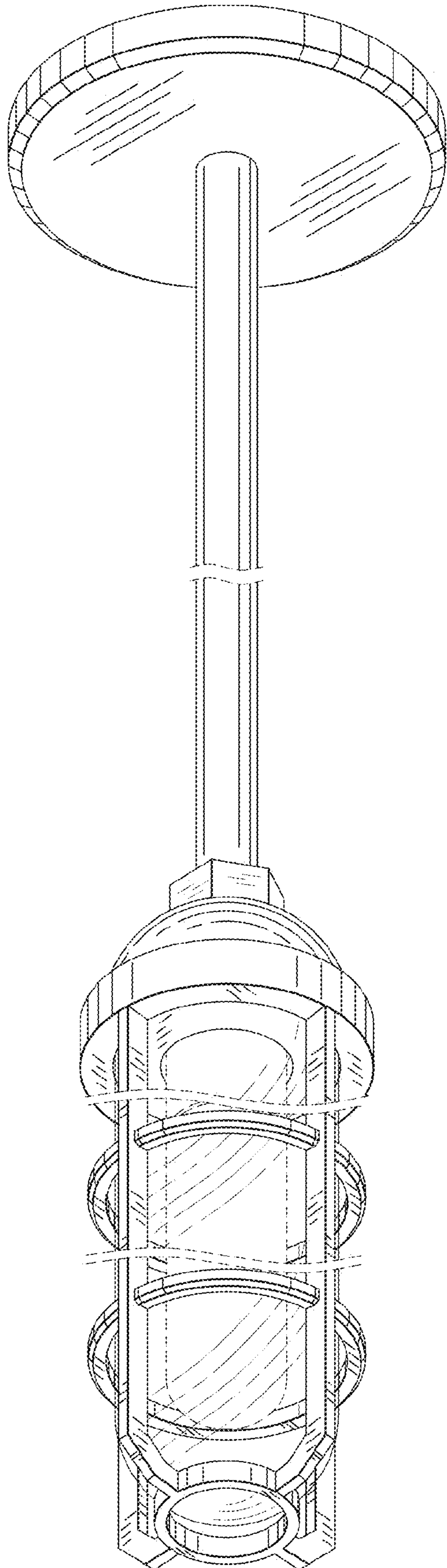


FIG. 9

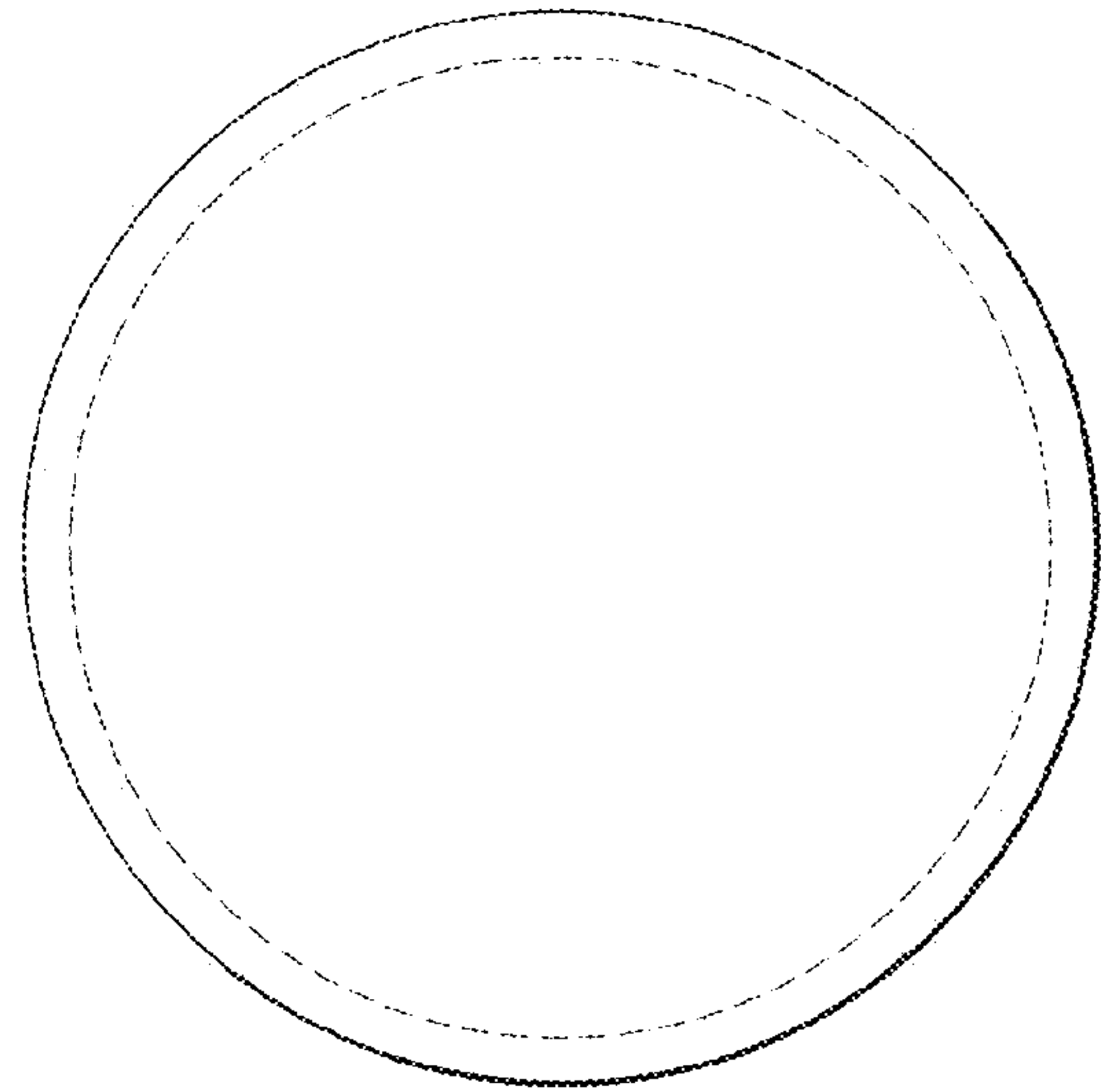


FIG. 10

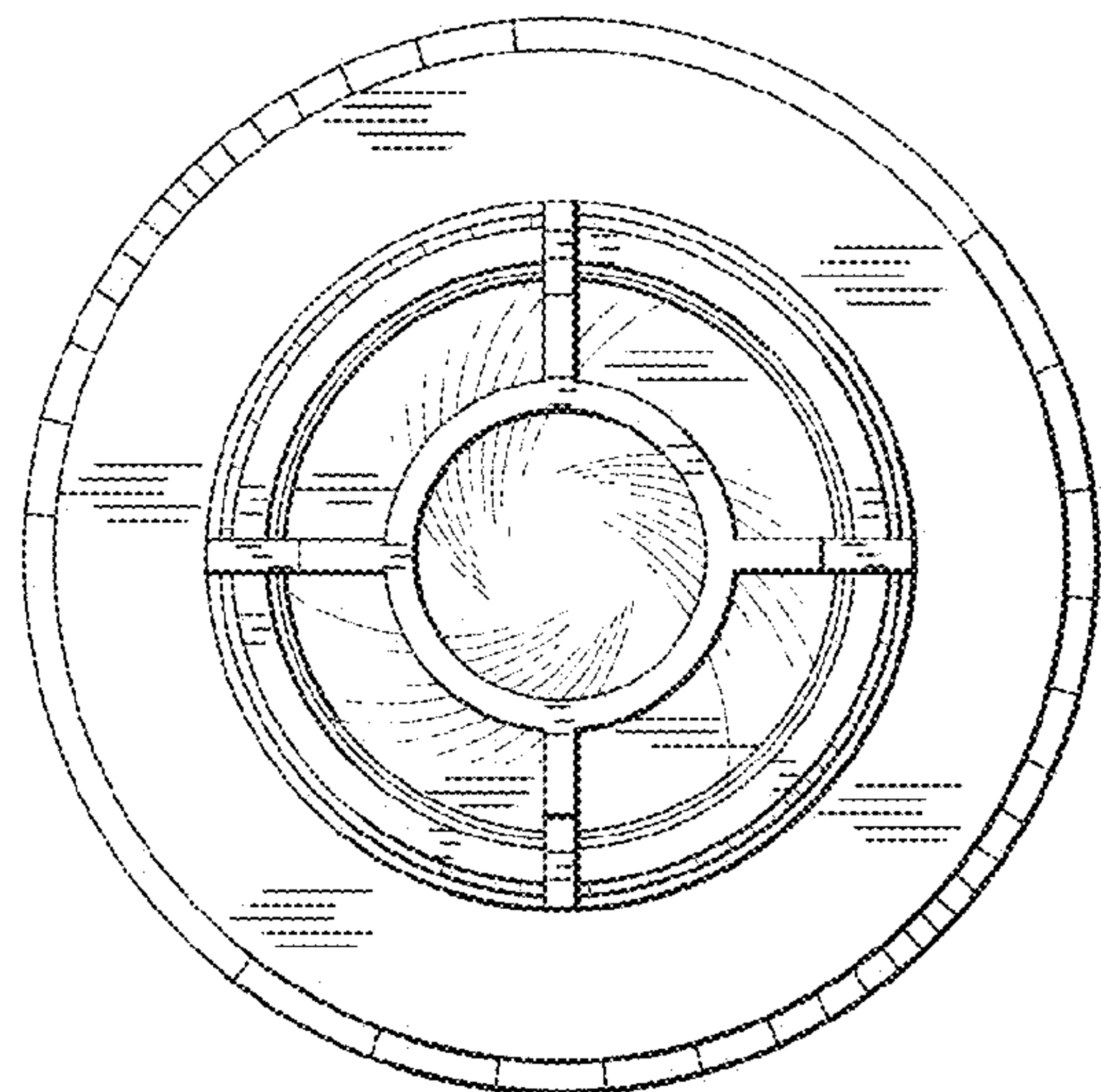


FIG. 7

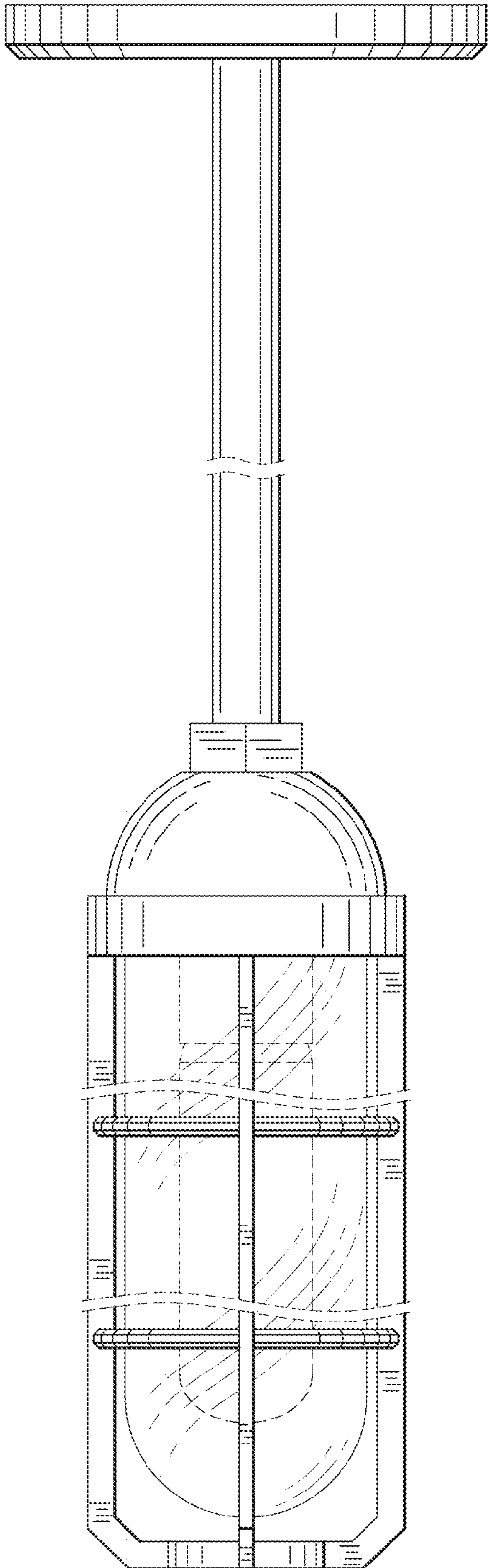


FIG. 8

