



US00D939128S

(12) **United States Design Patent** (10) **Patent No.:** **US D939,128 S**
Mei (45) **Date of Patent:** **** Dec. 21, 2021**

(54) **LAMP**

(71) Applicant: **Zhilu Mei**, Hubei (CN)

(72) Inventor: **Zhilu Mei**, Hubei (CN)

(**) Term: **15 Years**

(21) Appl. No.: **29/780,486**

(22) Filed: **Apr. 25, 2021**

(51) **LOC (13) Cl.** **26-03**

(52) **U.S. Cl.**
USPC **D26/86**

(58) **Field of Classification Search**
USPC D26/72, 80, 84-88, 92
CPC .. F21S 8/033; F21S 8/035; F21S 8/036; F21S
8/046

See application file for complete search history.

(56) **References Cited**

U.S. PATENT DOCUMENTS

D643,964 S *	8/2011	Heyrman	D26/85
D643,965 S *	8/2011	Sprengers	D26/85
D816,881 S *	5/2018	Qiao	D26/86
D816,882 S *	5/2018	Qiao	D26/86
D822,233 S	7/2018	Wang et al.		
D869,730 S *	12/2019	Lin	D26/80
D888,316 S *	6/2020	Huang	D26/86
D898,269 S *	10/2020	Huang	D26/86
D908,945 S *	1/2021	Zheng	D26/86
D915,657 S *	4/2021	Zheng	D26/86

OTHER PUBLICATIONS

IKAKON Vanity Light for Bathroom ASIN: B07CWN3CK1 available from amazon.com May 6, 2018. (Year: 2018).*
Zuzito LED Dimmable Bathroom Vanity Lighting, ASIN: B0871WQHRQ available from amazon.com Apr. 13, 2020. (Year: 2020).*

* cited by examiner

Primary Examiner — Clare E Heflin

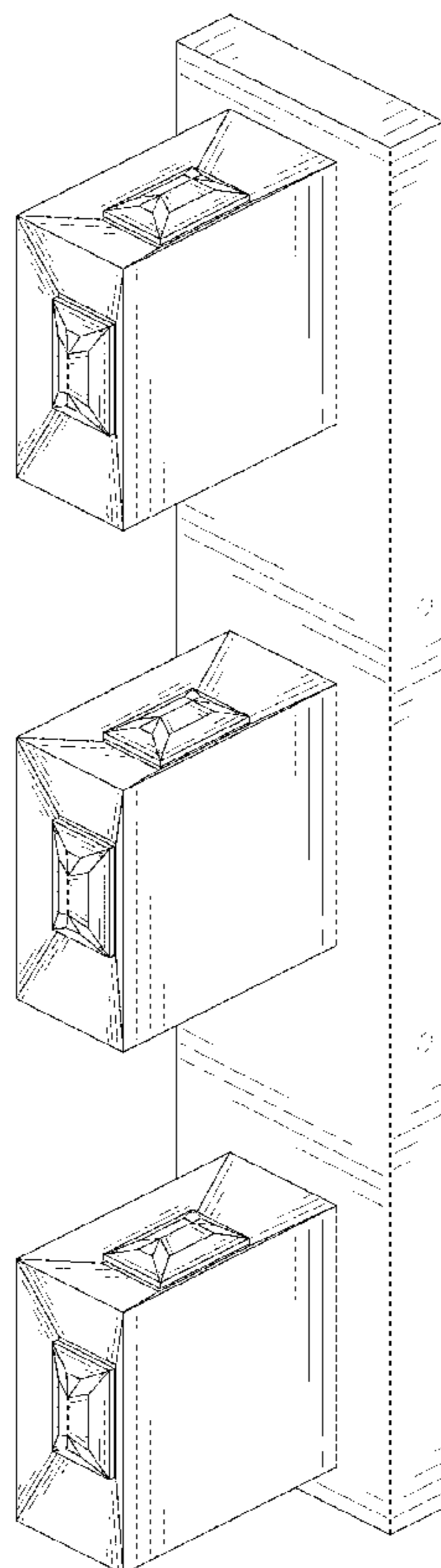
(57) **CLAIM**

The ornamental design for a lamp, as shown and described.

DESCRIPTION

FIG. 1 is a front and top perspective view of a lamp, showing my new design;
FIG. 2 is a rear and bottom perspective view thereof;
FIG. 3 is a front elevation view thereof;
FIG. 4 is a rear elevation view thereof;
FIG. 5 is a left side elevation view thereof;
FIG. 6 is a right side elevation view thereof;
FIG. 7 is a top plan view thereof; and,
FIG. 8 is a bottom plan view thereof.
The dashed broken lines in the figures illustrate portions of the lamp that form no part of the claimed design.

1 Claim, 8 Drawing Sheets



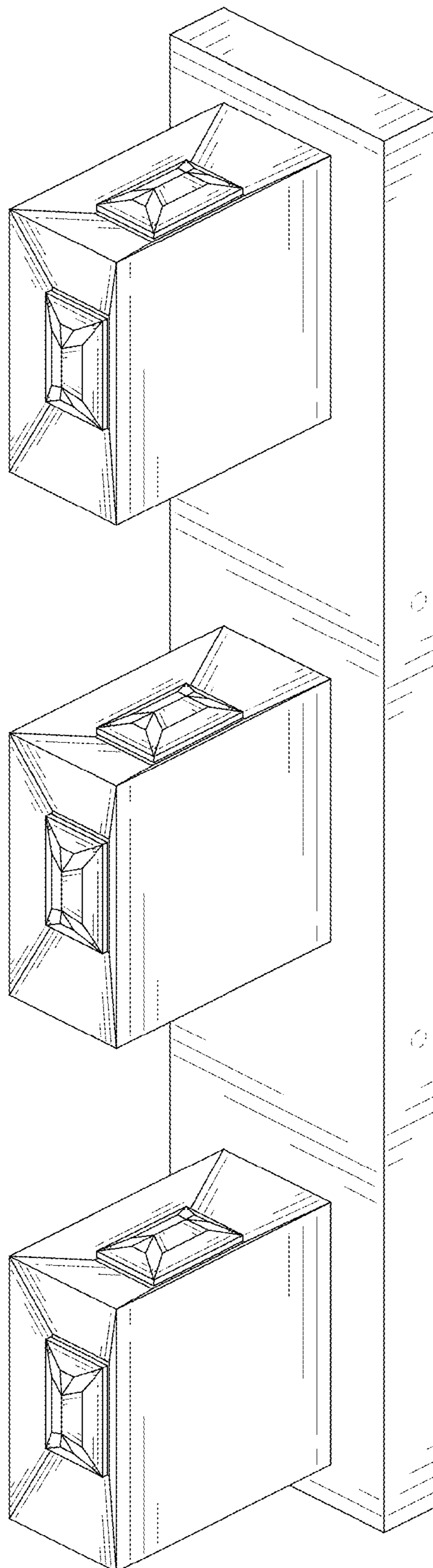


FIG. 1

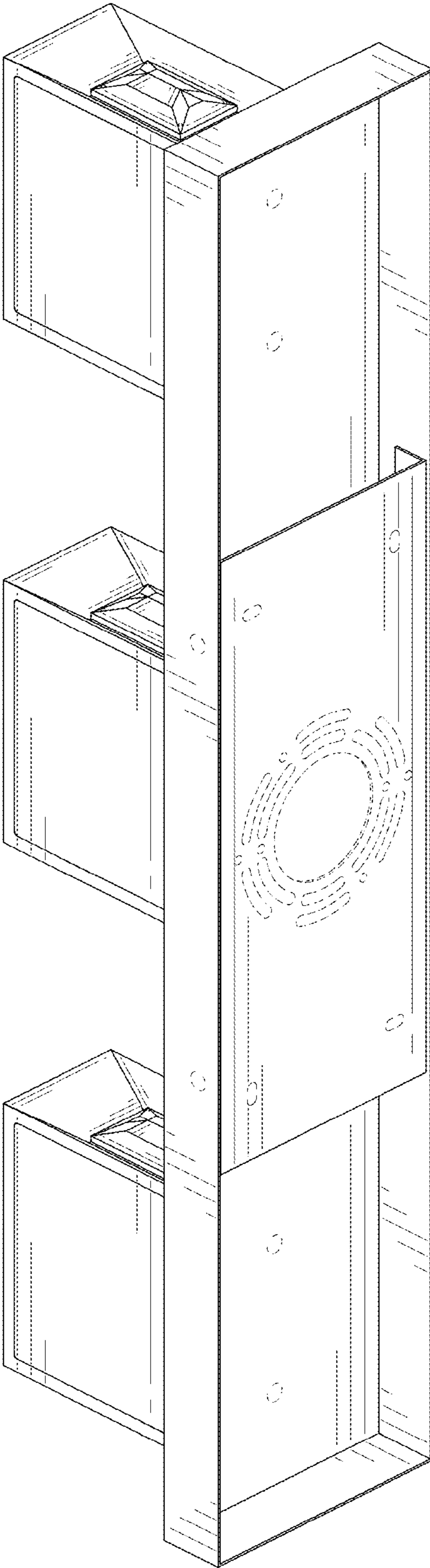


FIG. 2

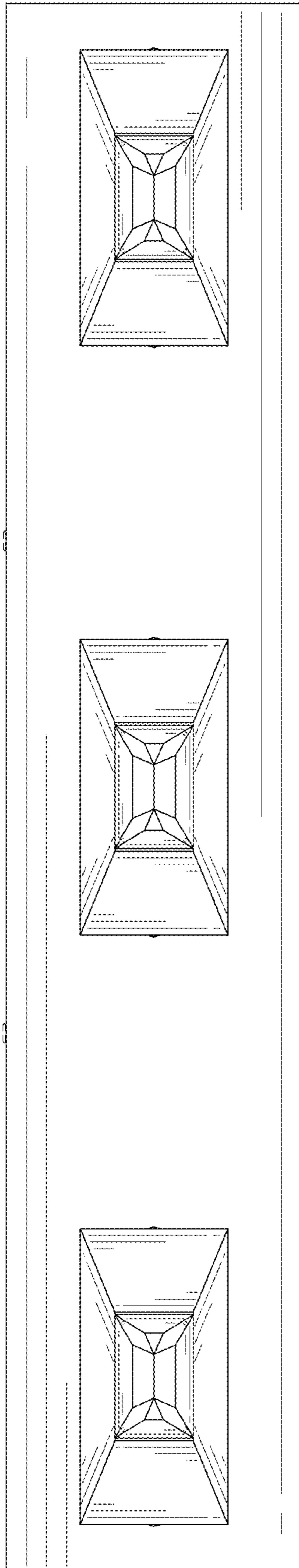


FIG. 3

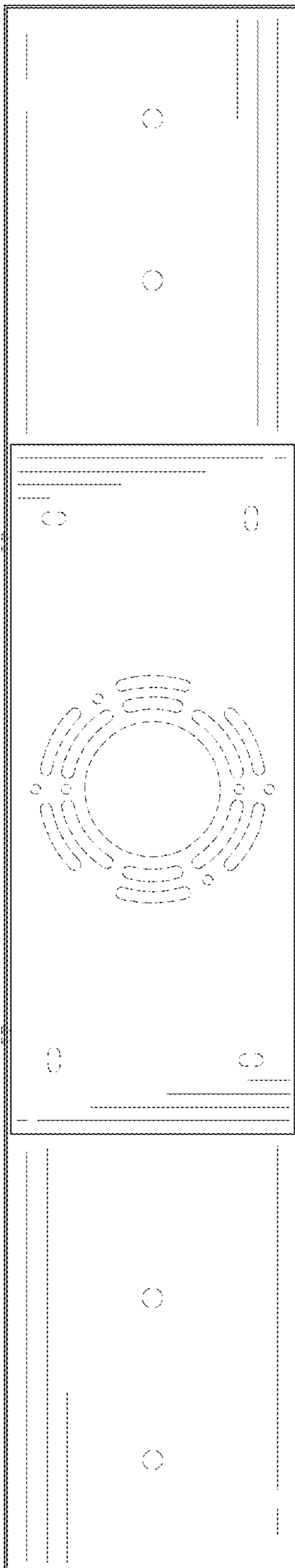


FIG. 4

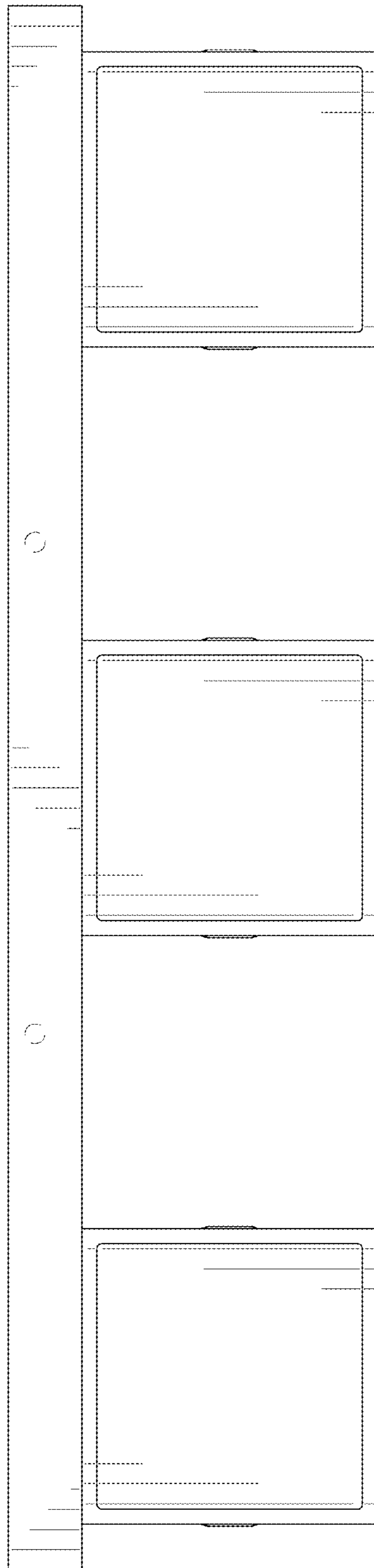


FIG. 5

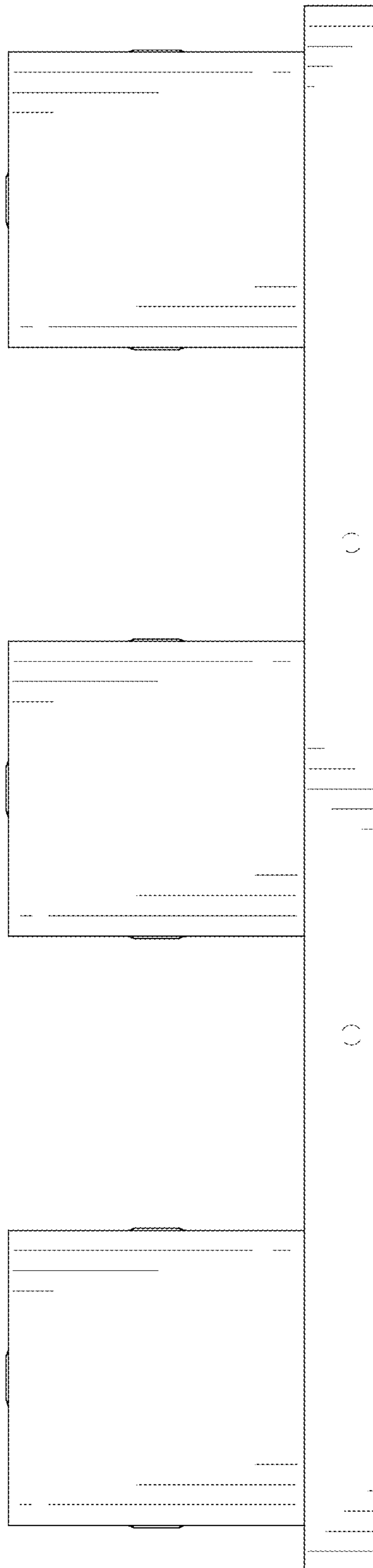


FIG. 6

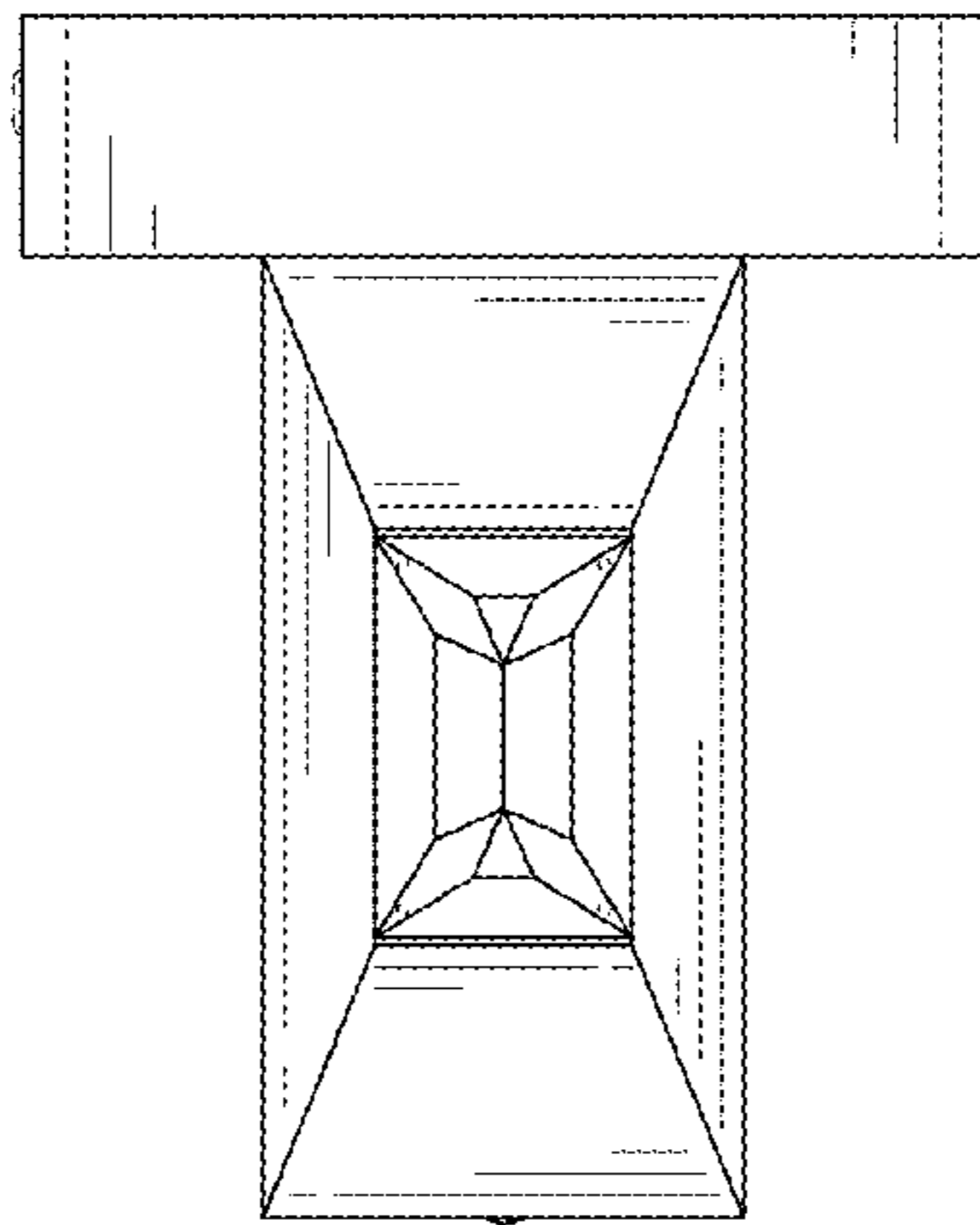


FIG. 7

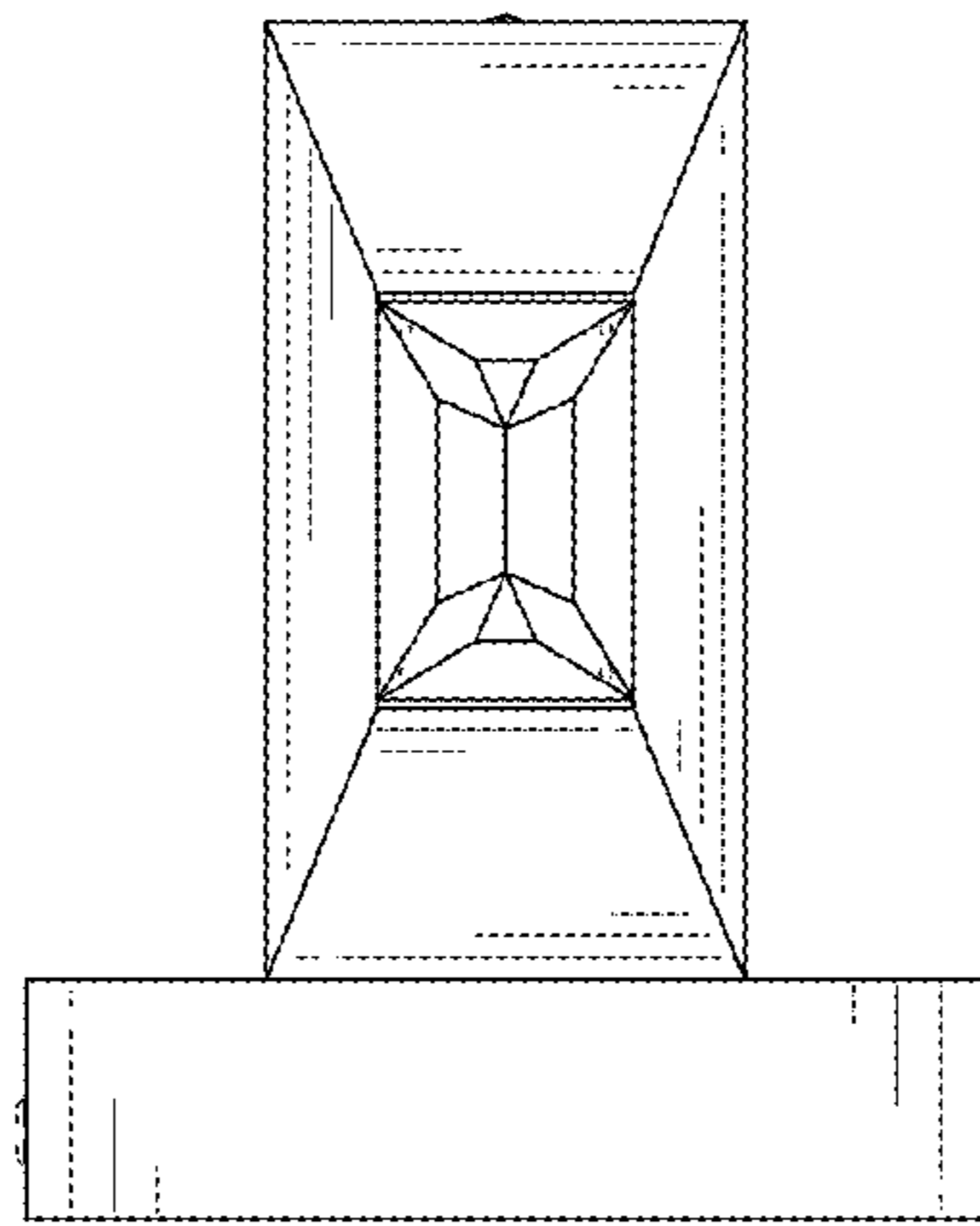


FIG. 8