



US00D939125S

(12) **United States Design Patent** (10) **Patent No.:** **US D939,125 S**  
**Li** (45) **Date of Patent:** **\*\* Dec. 21, 2021**

(54) **SOLAR FIVE-POINTED STAR LIGHT**

(71) Applicant: **Xiamen Aiche Car Accessories Co., Ltd., Fujian (CN)**

(72) Inventor: **Yiyang Li, Fujian (CN)**

(\*\*) Term: **15 Years**

(21) Appl. No.: **29/730,716**

(22) Filed: **Apr. 7, 2020**

(51) **LOC (13) Cl.** ..... **26-05**

(52) **U.S. Cl.**  
USPC ..... **D26/68; D26/73**

(58) **Field of Classification Search**  
USPC ..... **D26/67-70, 73**  
CPC .. **F21S 8/081; F21S 8/083; F21S 8/088; F21S 9/03; F21S 9/035; F21S 9/037; F21V 21/0824; F21V 21/26; F21W 2111/02; F21W 2111/023; F21W 2131/109**

See application file for complete search history.

(56) **References Cited**

**U.S. PATENT DOCUMENTS**

D244,795 S *	6/1977	O'Hara	.....	D26/73
D425,233 S *	5/2000	Liu	.....	D26/73
D529,656 S *	10/2006	Wen	.....	D26/68
D751,946 S *	3/2016	Soofer	.....	D11/157
D887,061 S *	6/2020	Li	.....	D26/67
D923,229 S *	6/2021	Liao	.....	D26/67
2006/0012978 A1 *	1/2006	Allsop	.....	F21S 6/004 362/183

2008/0158865 A1 *	7/2008	Chen	.....	F21V 21/0824 362/183
2015/0092399 A1 *	4/2015	Qiu	.....	F21V 23/0464 362/183
2019/0049096 A1 *	2/2019	Harper	.....	F21V 21/108
2020/0173618 A1 *	6/2020	Maguire	.....	H01L 31/048

**OTHER PUBLICATIONS**

Outdoor Solar Lawn Lamp Star Shape, available from lightflord.shop, visited Oct. 7, 2021. (Year: 2021).\*

\* cited by examiner

*Primary Examiner* — Clare E Heflin

(74) *Attorney, Agent, or Firm* — Prakash Nama; Global IP Services, PLLC

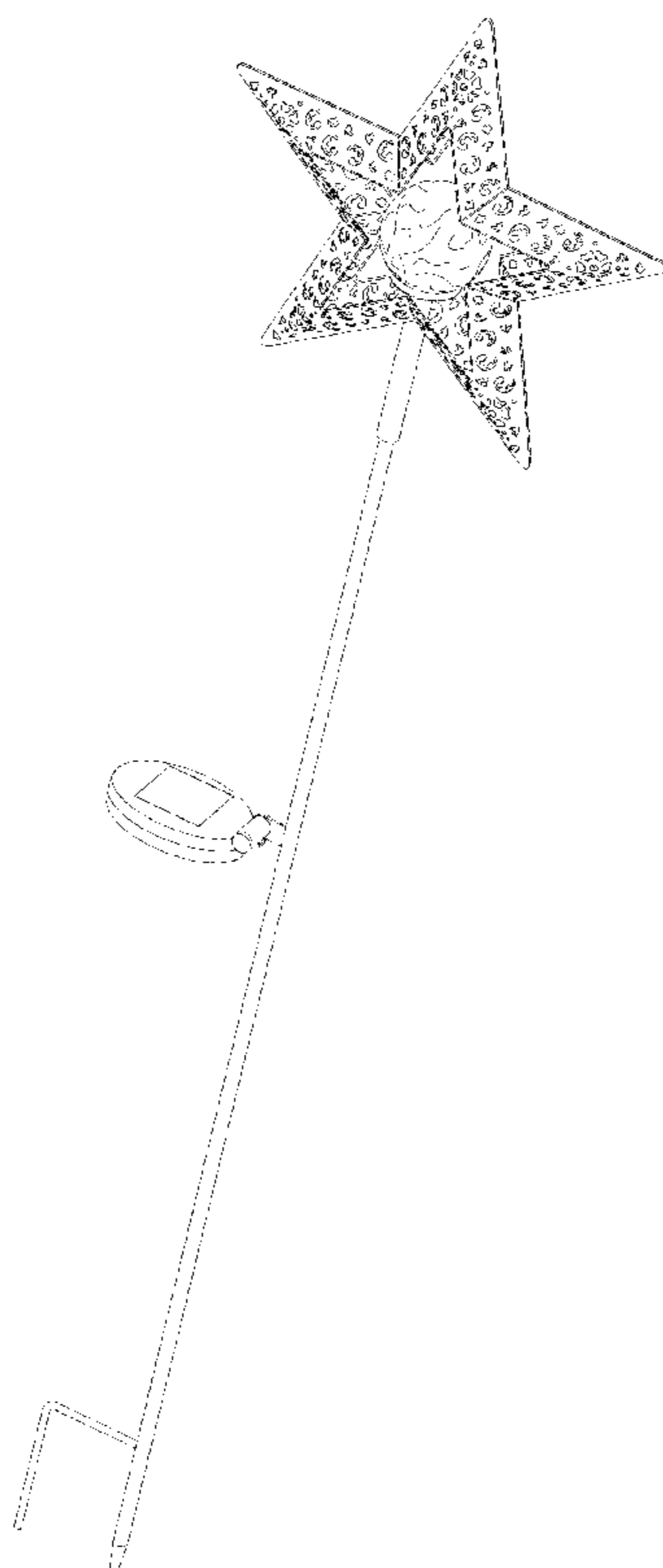
(57) **CLAIM**

The ornamental design for a solar five-pointed star light, as shown.

**DESCRIPTION**

FIG. 1 is a front elevational view of a solar five-pointed star light showing my new design;  
FIG. 2 is a rear elevational view thereof;  
FIG. 3 is a left side view thereof;  
FIG. 4 is a right side view thereof;  
FIG. 5 is a top plan view thereof;  
FIG. 6 is a bottom plan view thereof; and,  
FIG. 7 is a perspective view thereof.

**1 Claim, 6 Drawing Sheets**



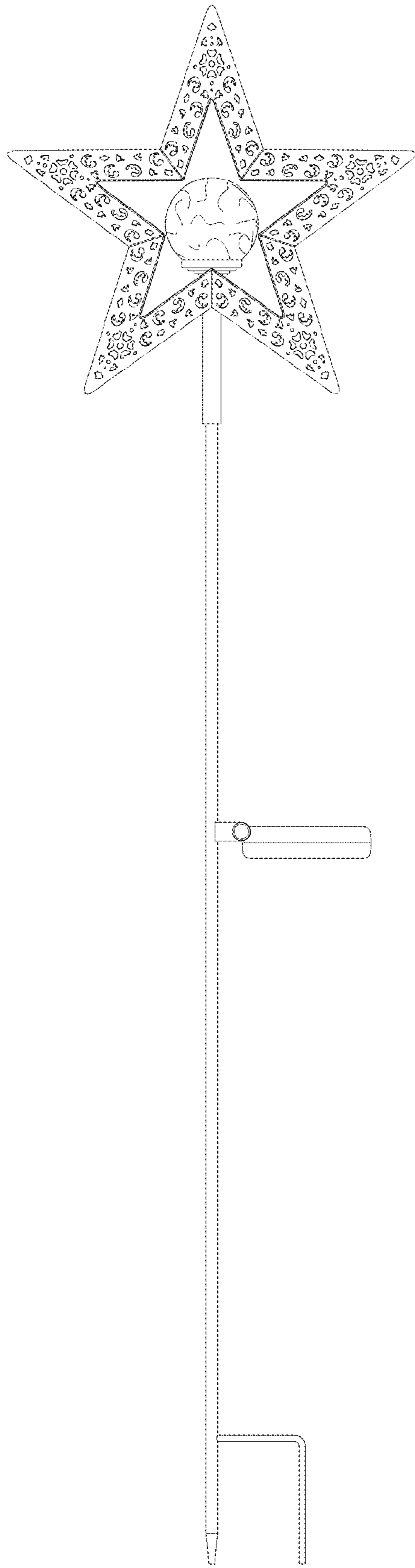


Fig. 1

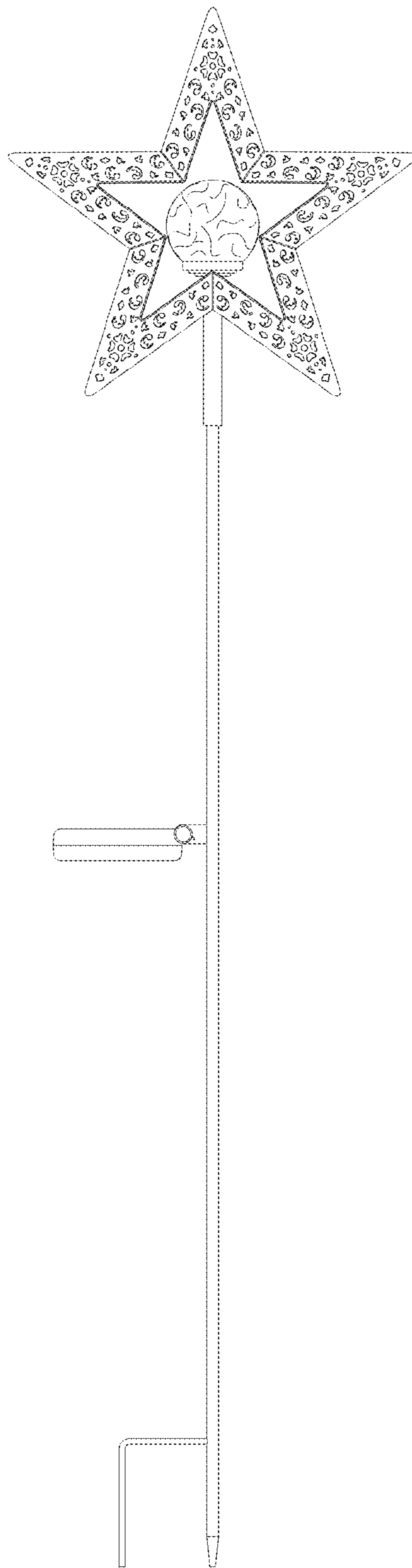


Fig. 2

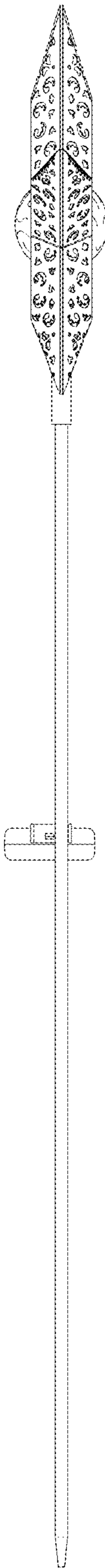


Fig. 3

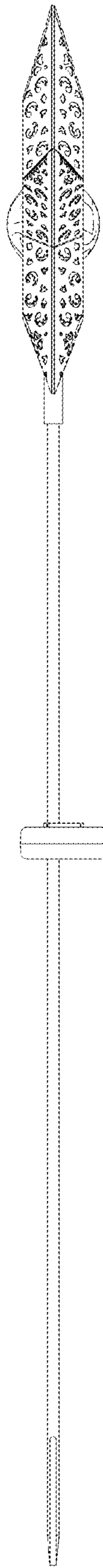


Fig. 4

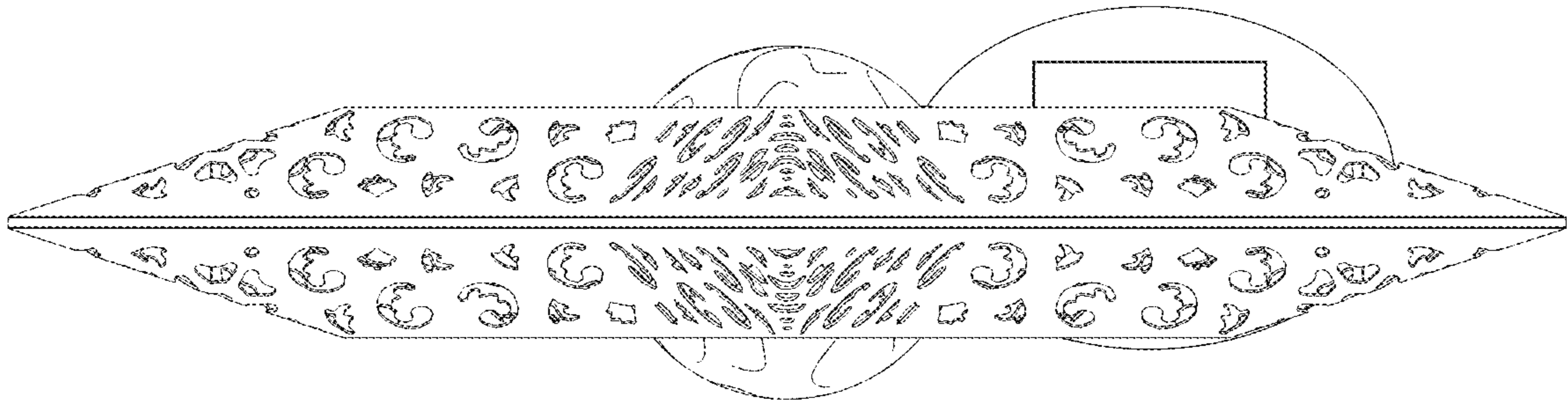


Fig. 5

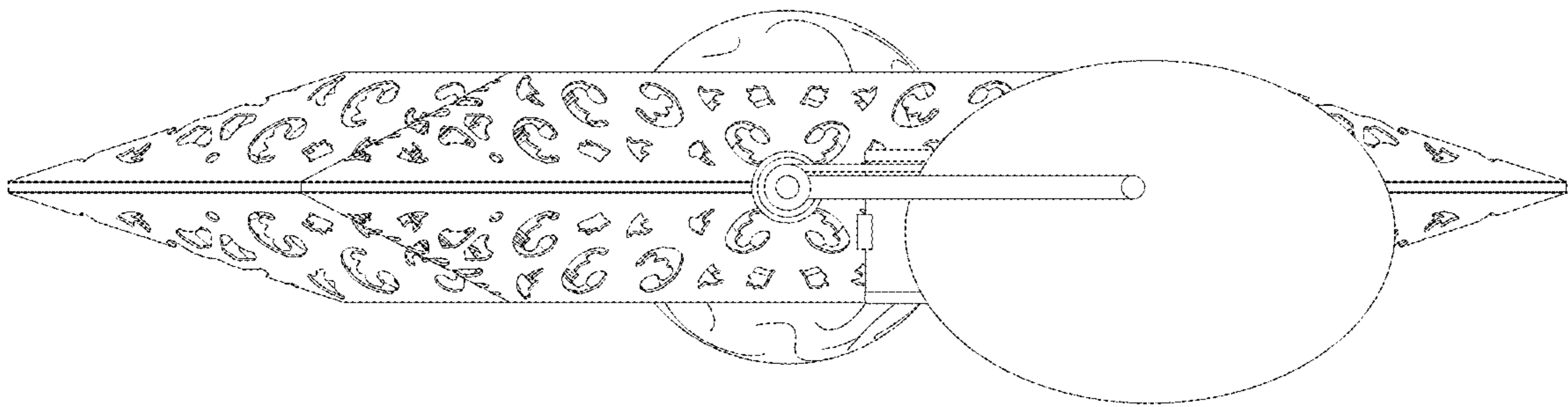


Fig. 6

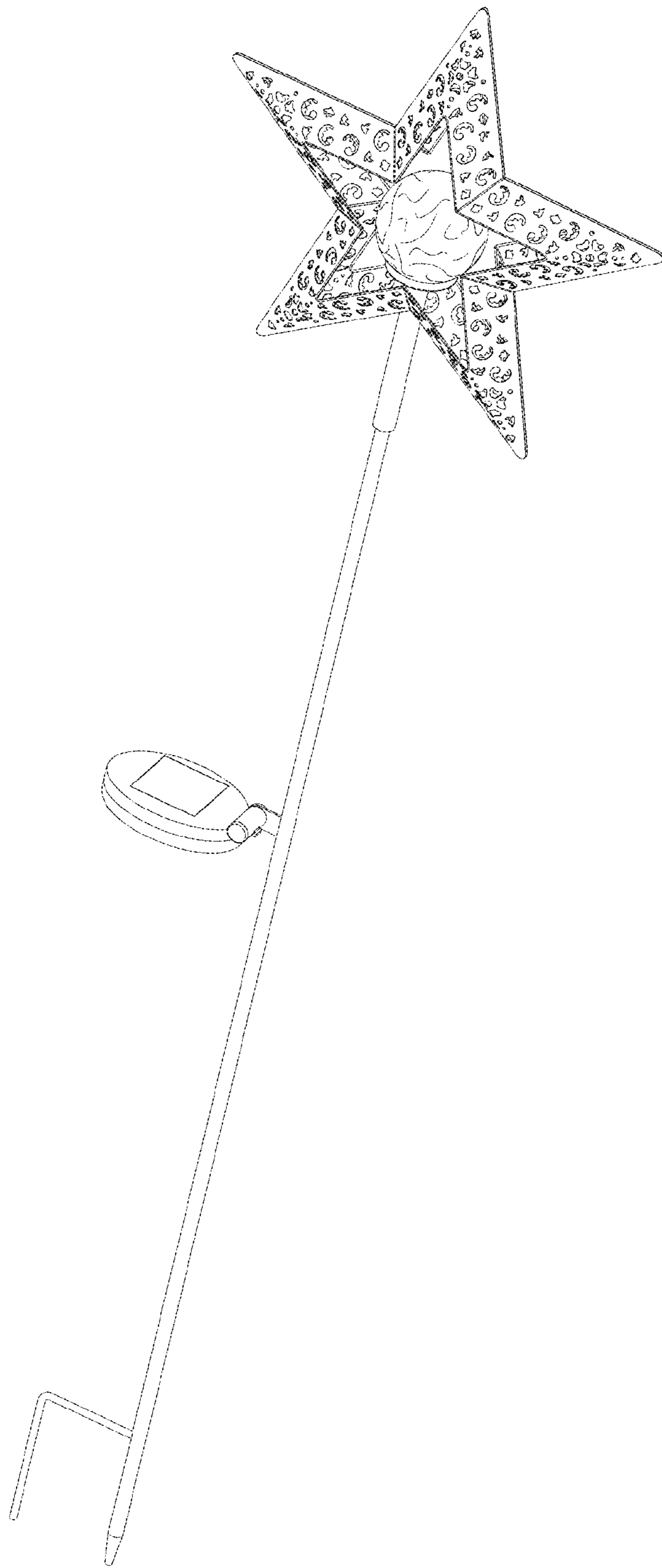


Fig. 7