



US00D939123S

(12) **United States Design Patent** (10) **Patent No.:** **US D939,123 S**
Li (45) **Date of Patent:** **** Dec. 21, 2021**

(54) **LED LAMP**

9,319,497 B2 * 4/2016 Sano H04M 1/0216
D763,492 S * 8/2016 Bryant D26/37
D818,981 S * 5/2018 Song D14/138 AB

(Continued)

(71) Applicant: **Zhi Li**, Huazhou (CN)

(72) Inventor: **Zhi Li**, Huazhou (CN)

(**) Term: **15 Years**

(21) Appl. No.: **29/747,678**

(22) Filed: **Aug. 24, 2020**

(51) **LOC (13) Cl.** **26-05**

(52) **U.S. Cl.**

USPC **D26/63; D26/37; D16/237**

(58) **Field of Classification Search**

USPC D26/29, 37, 38, 60, 61, 63, 64, 65, 66,
D26/106, 107; D16/237, 239, 240, 250;
D14/138 AB, 203.6; D24/210

CPC F21V 21/14; F21V 21/28; F21V 21/30;
F21V 21/145; F21V 21/0965; F21S
6/003; F21W 2111/10; F21L 4/04; F21L
4/045

See application file for complete search history.

(56) **References Cited**

U.S. PATENT DOCUMENTS

D321,865 S	*	11/1991	Derocher	D14/345
D406,853 S	*	3/1999	Chan	D16/135
D423,130 S	*	4/2000	Kung	D26/60
D464,453 S	*	10/2002	Cramer	D26/37
D498,551 S	*	11/2004	Chan	D26/37
D523,160 S	*	6/2006	Chen	D26/37
D526,734 S	*	8/2006	Brown	D26/39
D567,423 S		4/2008	Shen		
D580,574 S	*	11/2008	Leslie	D26/37
D596,776 S	*	7/2009	Hodgson	D26/63
7,731,386 B2	*	6/2010	Levine	F21V 17/007 362/197
D630,355 S	*	1/2011	Gulker	D26/37
D645,179 S	*	9/2011	Gulker	D26/37
D665,522 S	*	8/2012	Werner	D26/37
D679,846 S	*	4/2013	Bryant	F21L 4/08 D26/37
D680,531 S	*	4/2013	Honda	D14/345
D741,928 S	*	10/2015	Huang	D16/135

OTHER PUBLICATIONS

VIJIM RGB LED Light On Camera Light; Retrieved from www.amazon.com; Retrieved on Aug. 10, 2021; https://www.amazon.com/VIJIM-Foldable-Photography-2600K-12000K-Temperature/dp/B08JHB59T7/ref=asc_df_B08JHB59T7/?tag=hyprod-20&hvadid=475741834053&hvnetw=g&hvrand=11556949549598853523&hvdev=c&hvlcophy=9033787 (Year: 2020).*

Primary Examiner — Wan Laymon
Assistant Examiner — Clint A Samuel

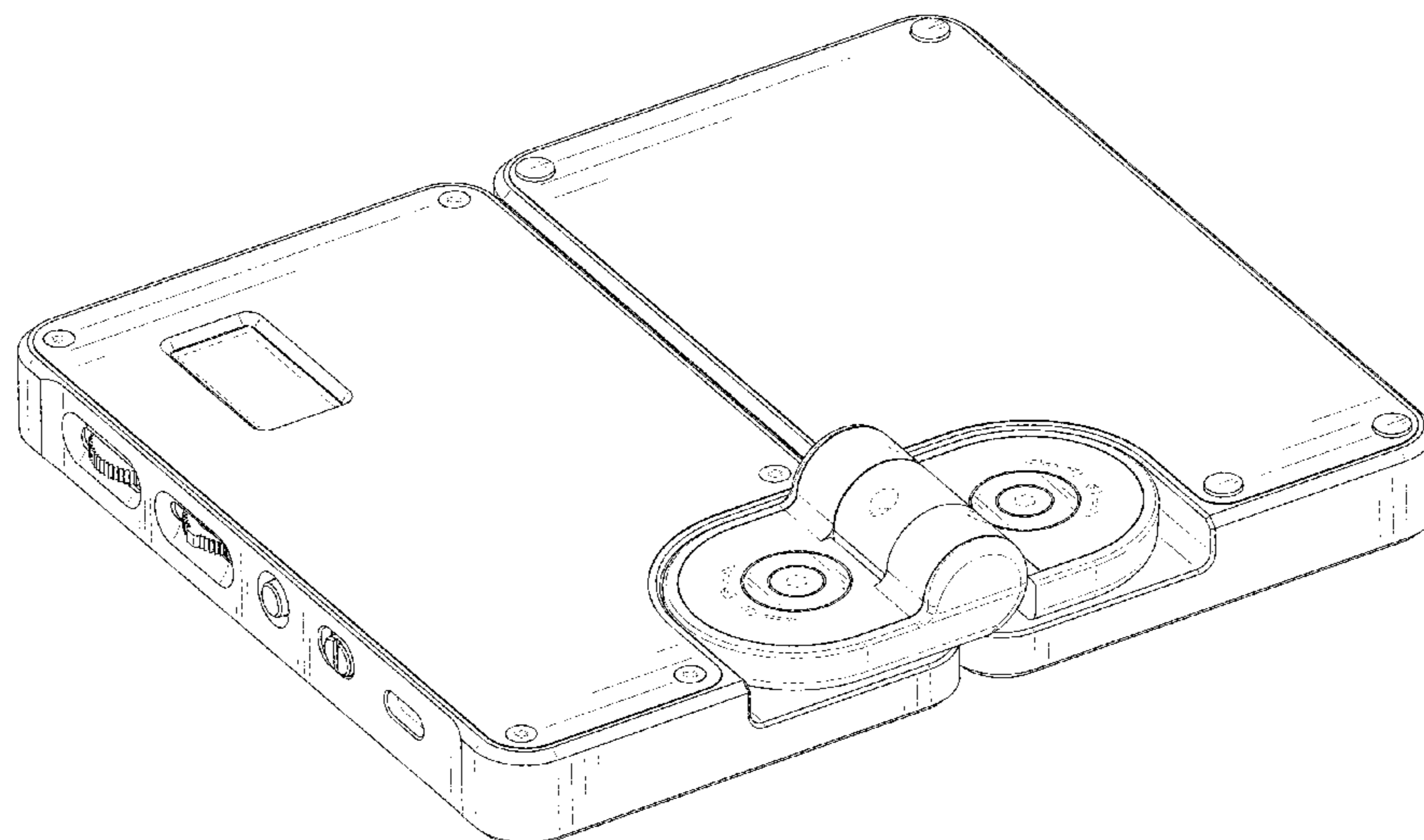
(57) **CLAIM**

The ornamental design for an LED lamp, as shown and described.

DESCRIPTION

FIG. 1 is a perspective view of an LED lamp showing my new design;
FIG. 2 is another perspective view thereof;
FIG. 3 is a front elevational view thereof;
FIG. 4 is a rear elevational view thereof;
FIG. 5 is a left side elevational view thereof;
FIG. 6 is a right side elevational view thereof;
FIG. 7 is a top plan view thereof;
FIG. 8 is a bottom plan view thereof;
FIG. 9 is a front elevational view of the LED lamp where the LED lamp is in a first configuration of use;
FIG. 10 is a perspective view of the LED lamp where the LED lamp is in a second configuration of use;
FIG. 11 is a perspective view of the LED lamp where the LED lamp is in a third configuration of use; and,
FIG. 12 is a perspective view of the LED lamp where the LED lamp is in a fourth configuration of use.
The broken lines in the drawings depict portions of the LED lamp that form no part of the claimed design.

1 Claim, 12 Drawing Sheets



(56)

References Cited

U.S. PATENT DOCUMENTS

D819,245 S * 5/2018 Garza F21S 8/033
D26/44
D828,938 S * 9/2018 Hou D26/38
D844,866 S * 4/2019 Christ D26/37
10,413,028 B2 * 9/2019 Wang H04B 1/3888
D862,759 S * 10/2019 Mo D26/65
D883,368 S * 5/2020 Zhan D16/239
D891,426 S * 7/2020 Nguyen D14/345
2008/0174991 A1 * 7/2008 Tucker F21L 4/027
362/200
2015/0167943 A1 * 6/2015 Rugendyke F21V 29/70
362/294
2020/0309355 A1 * 10/2020 Cacciabeve F21L 4/045

* cited by examiner

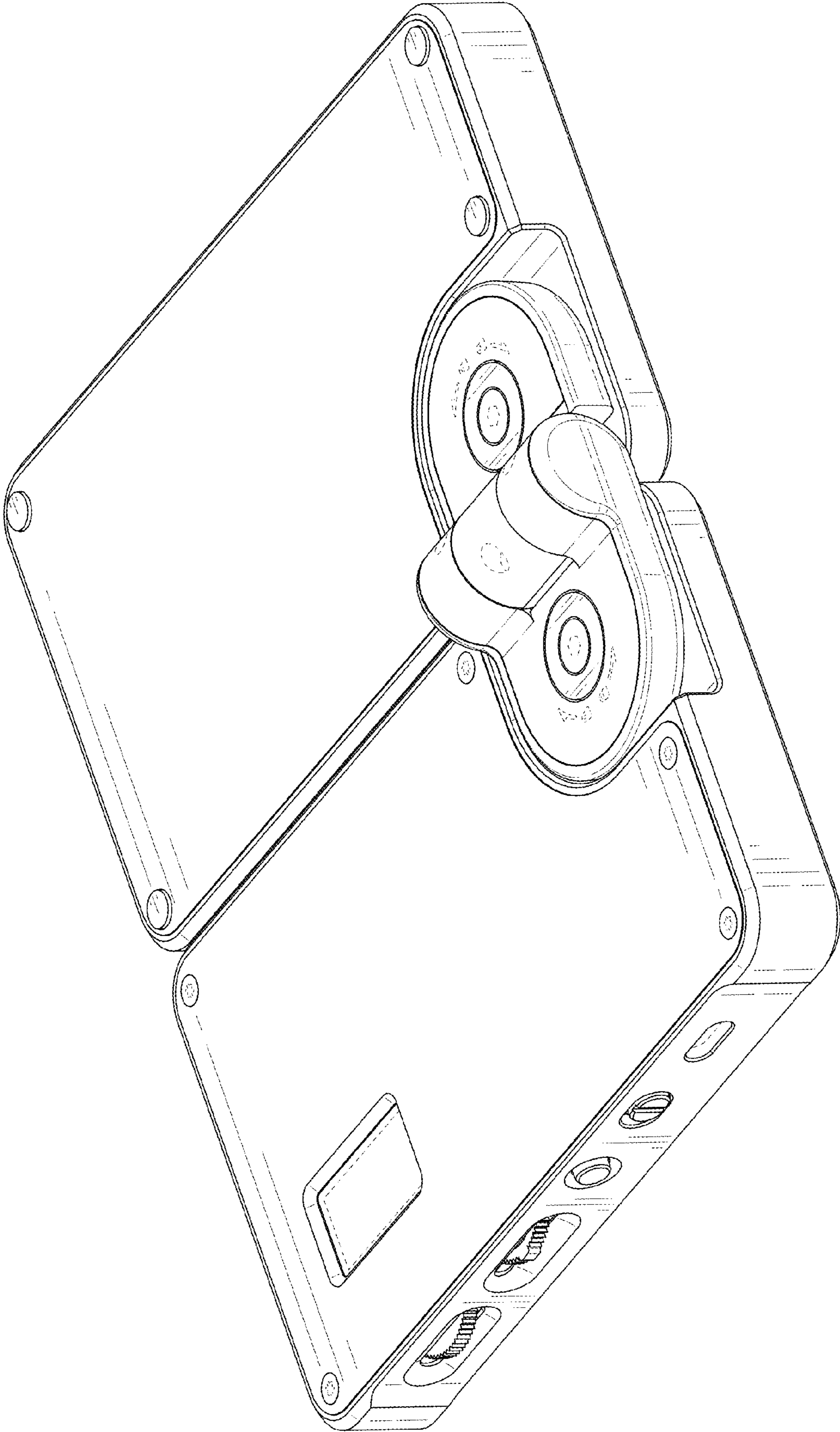


FIG. 1

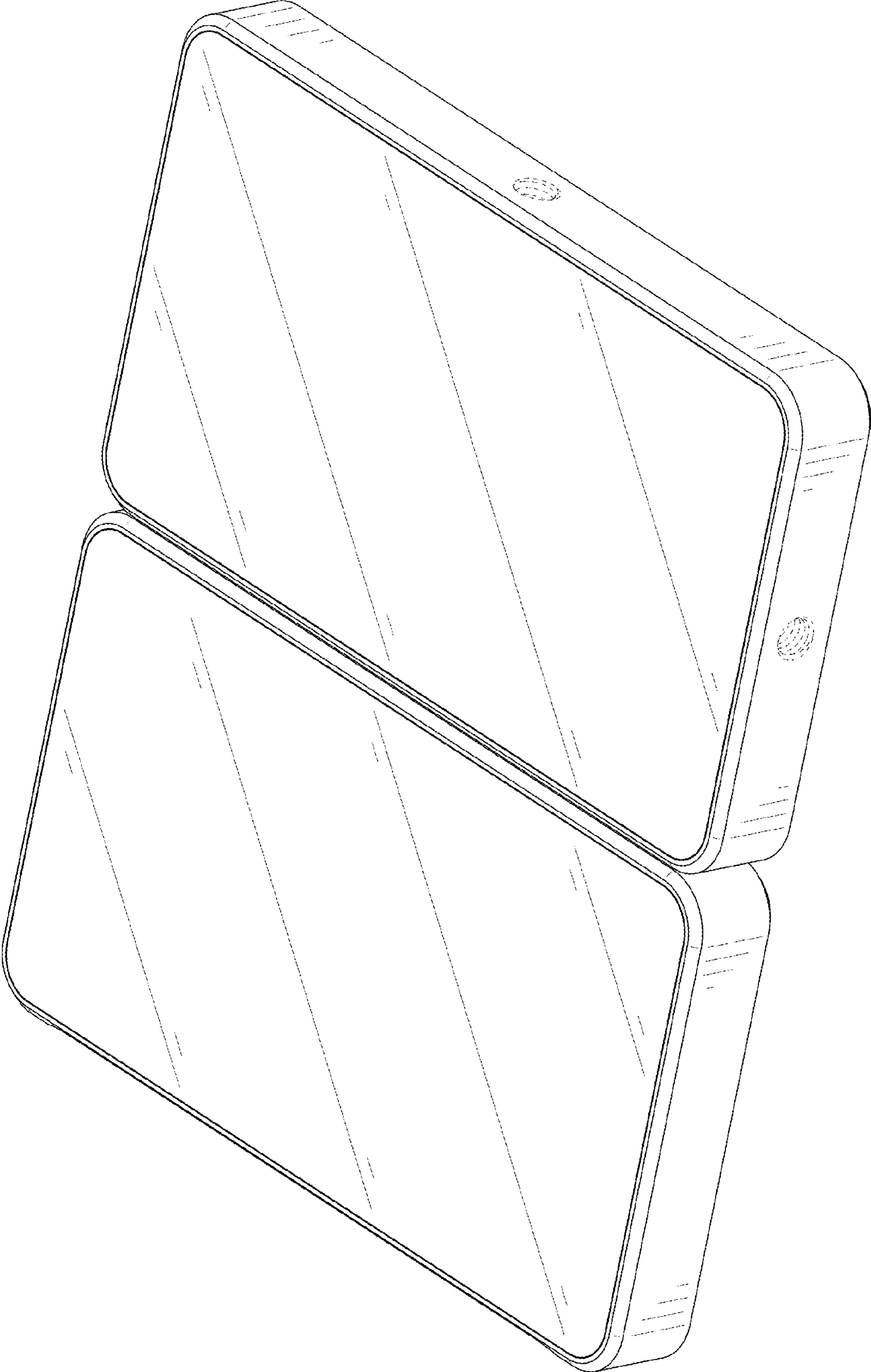


FIG. 2

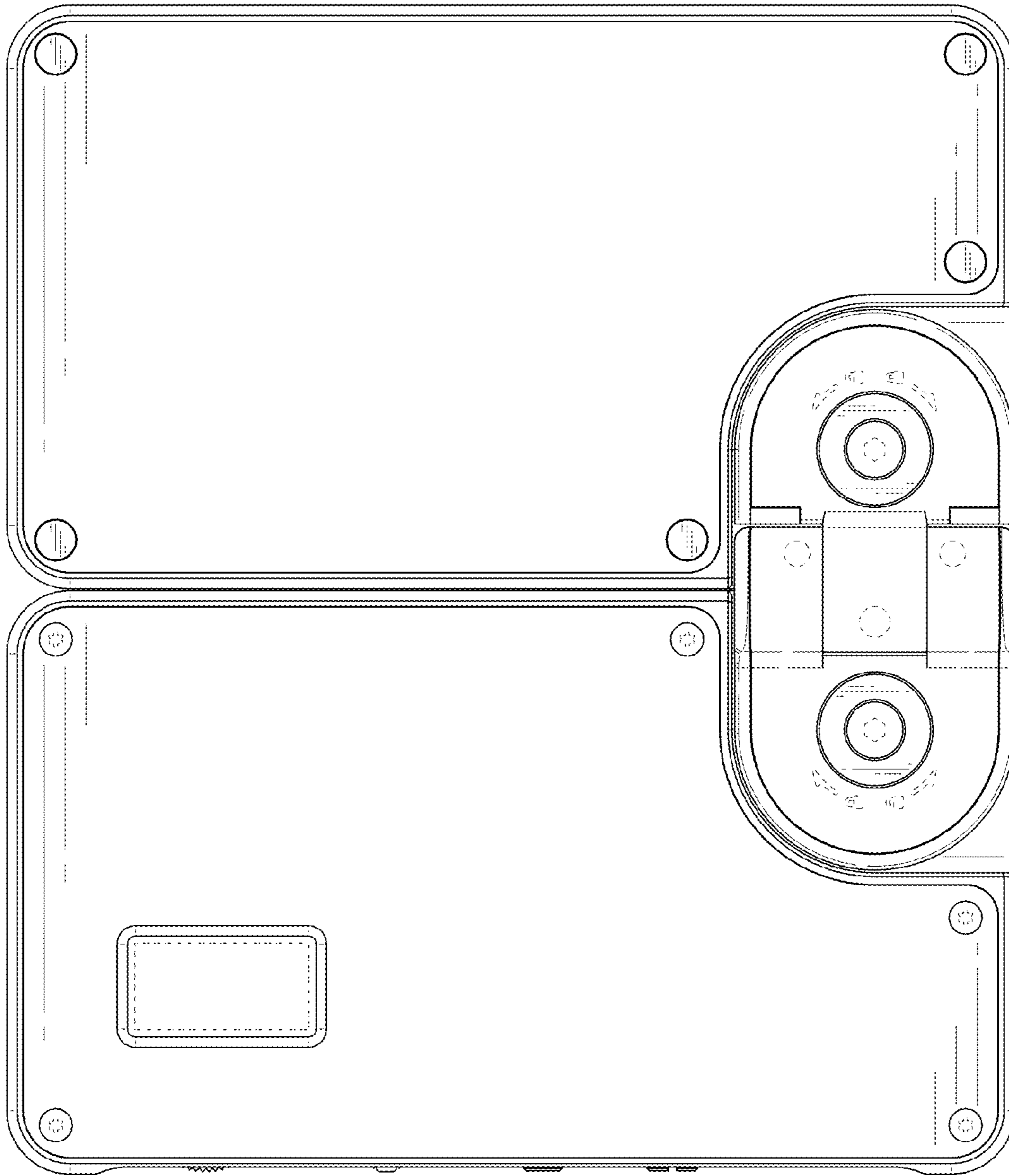


FIG. 3

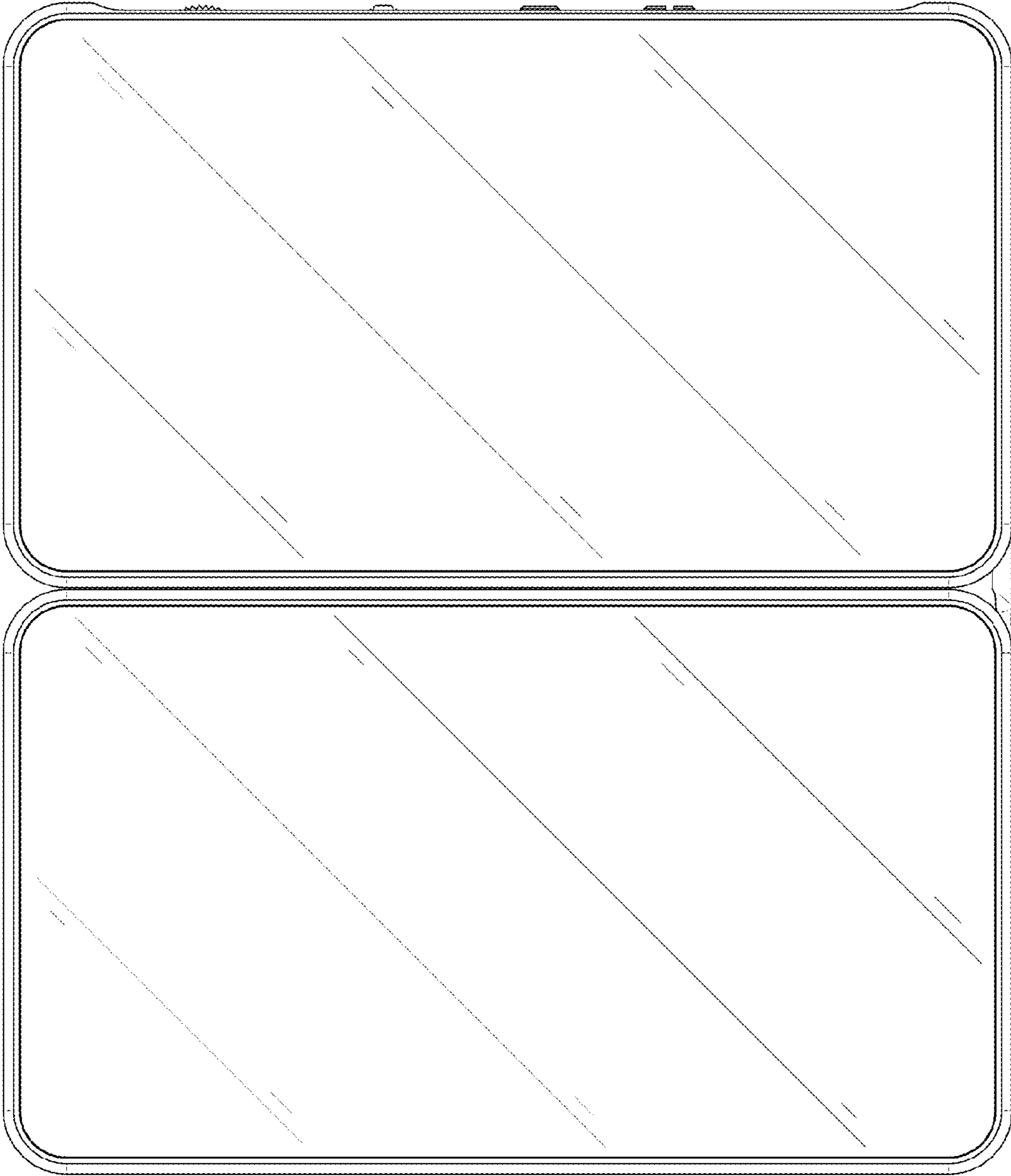


FIG. 4

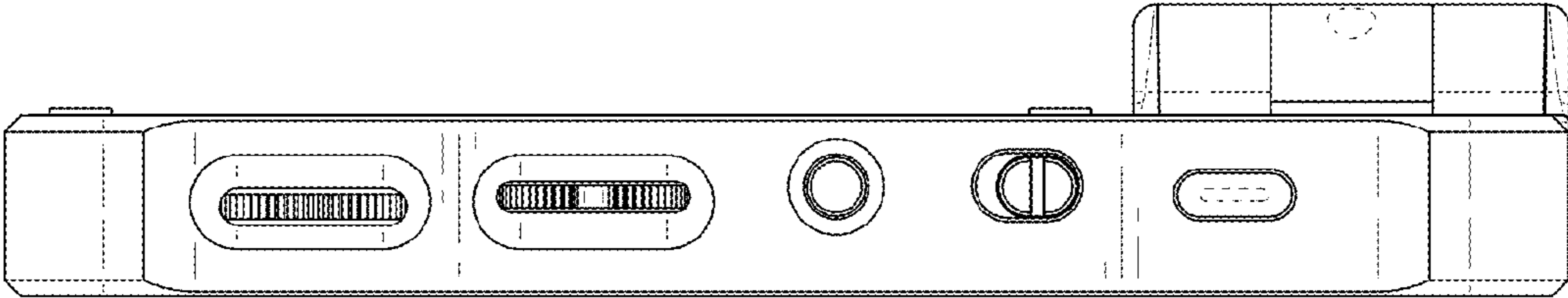


FIG. 5

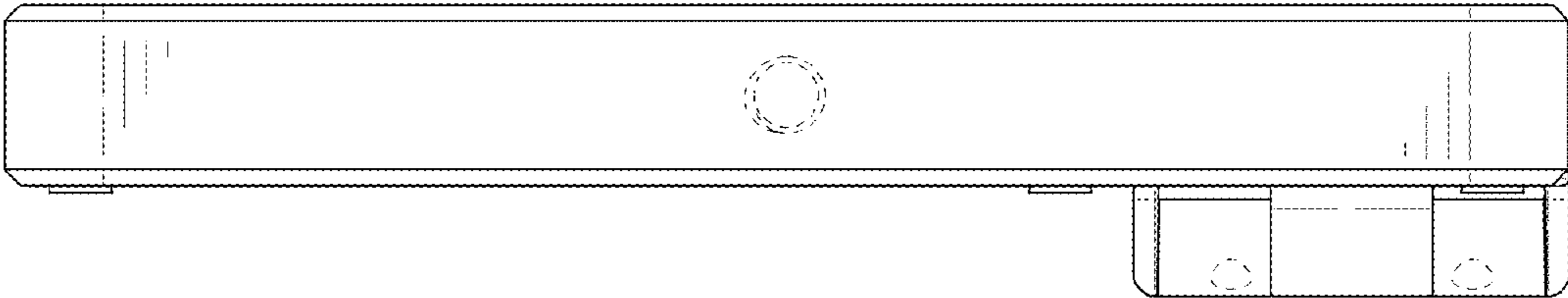


FIG. 6

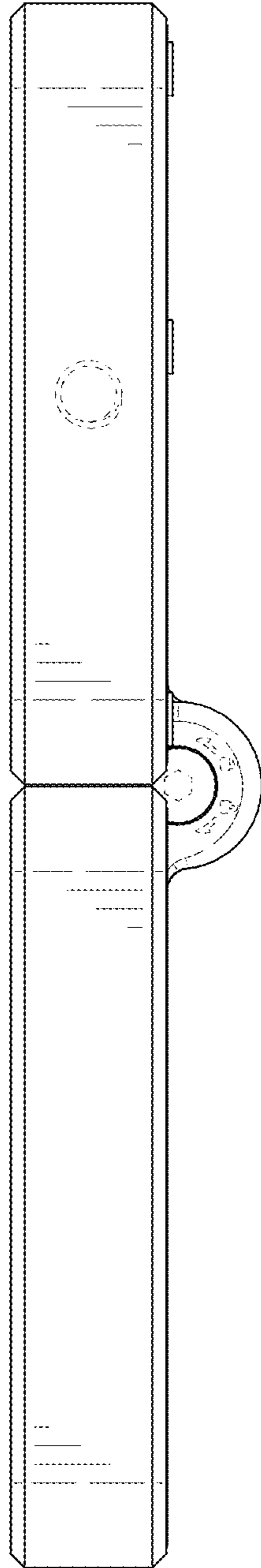


FIG. 7

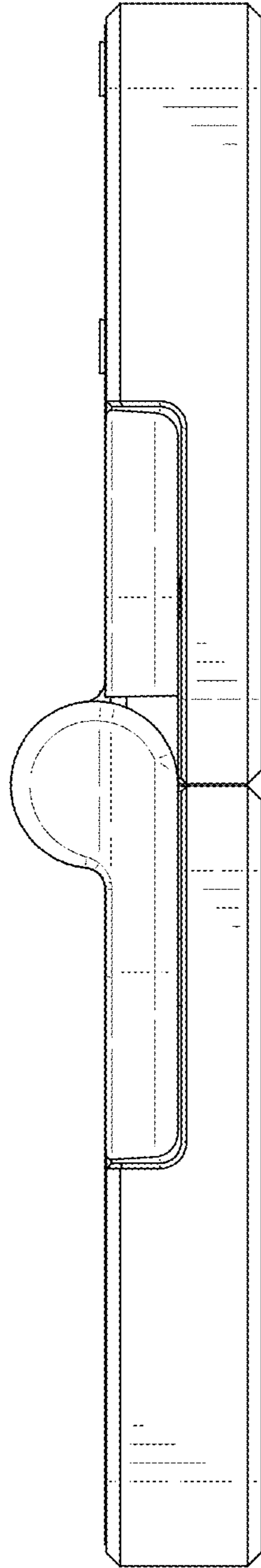


FIG. 8

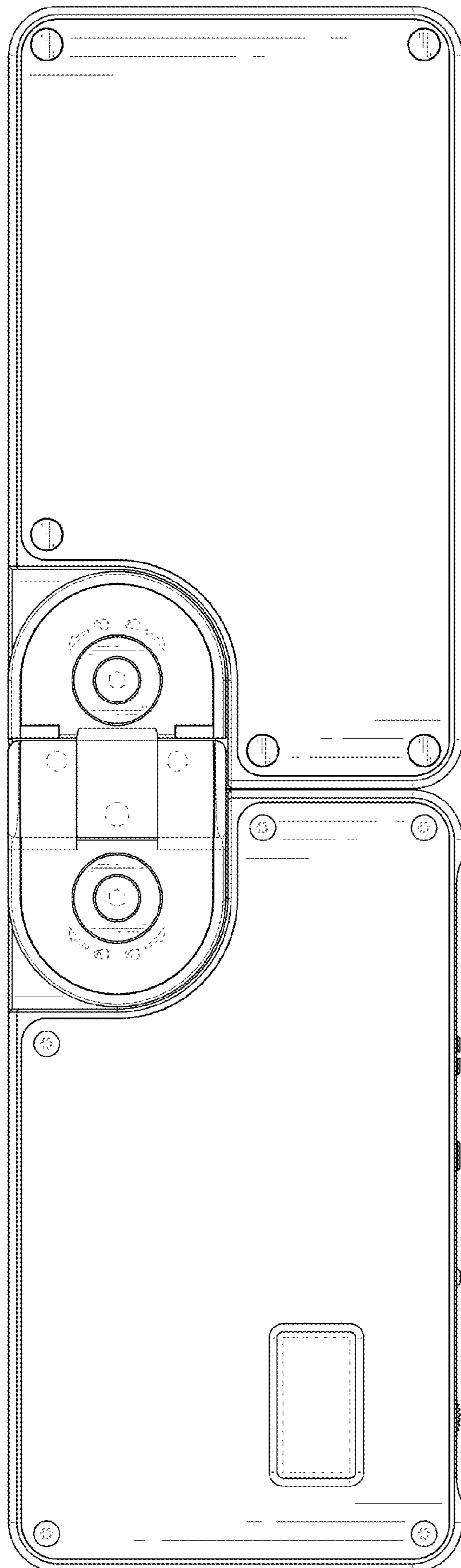


FIG. 9

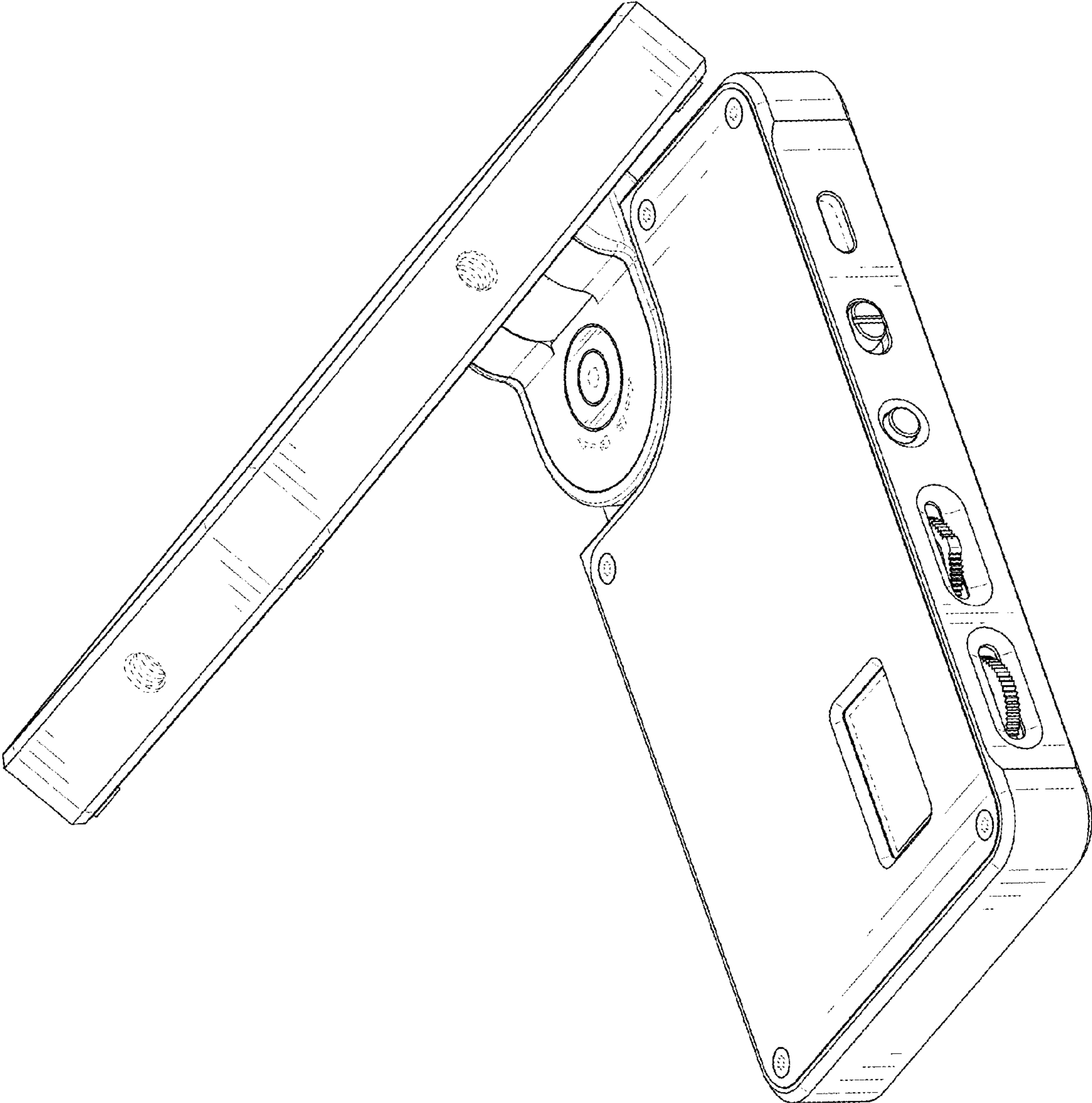


FIG. 10

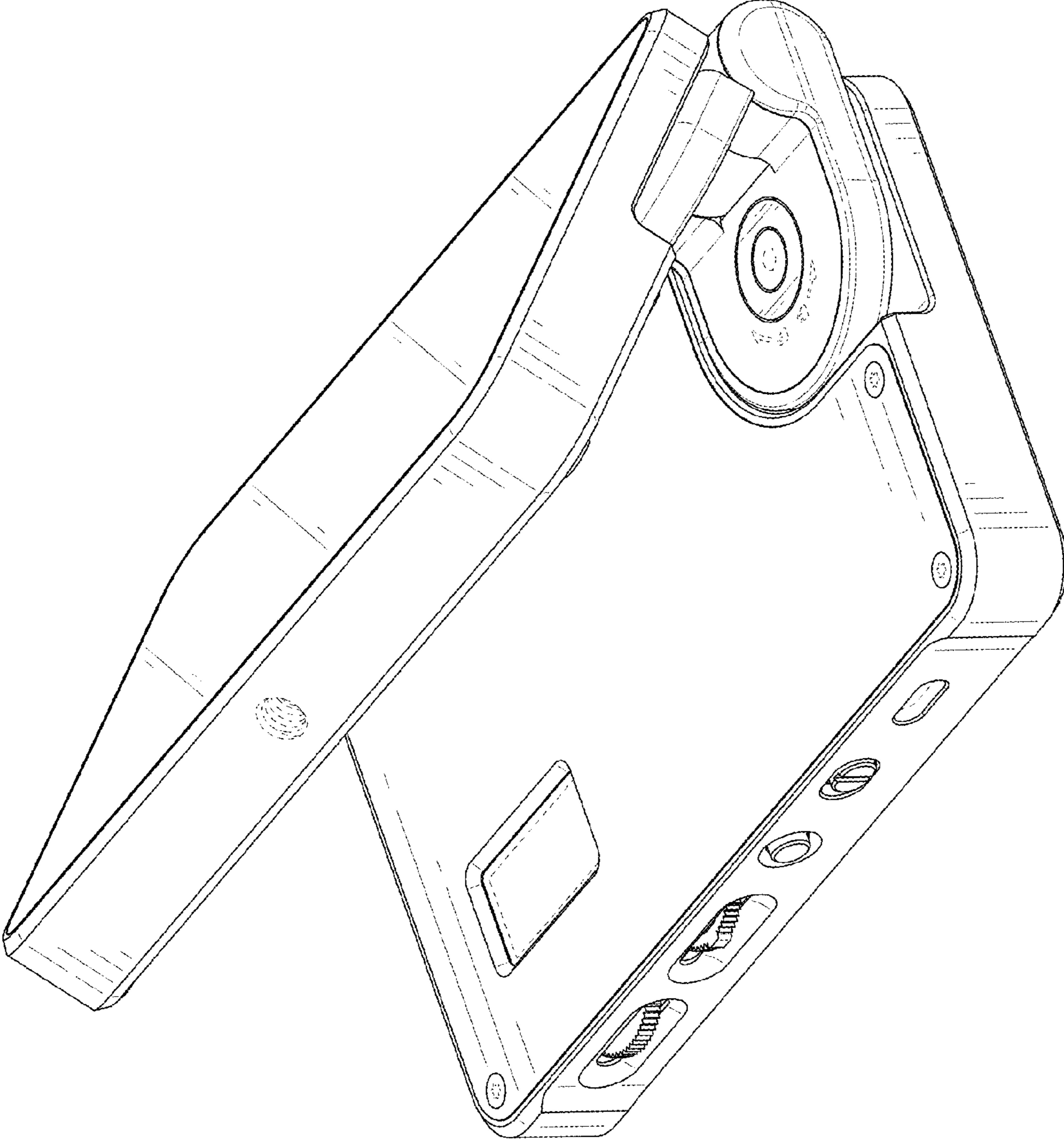


FIG. 11

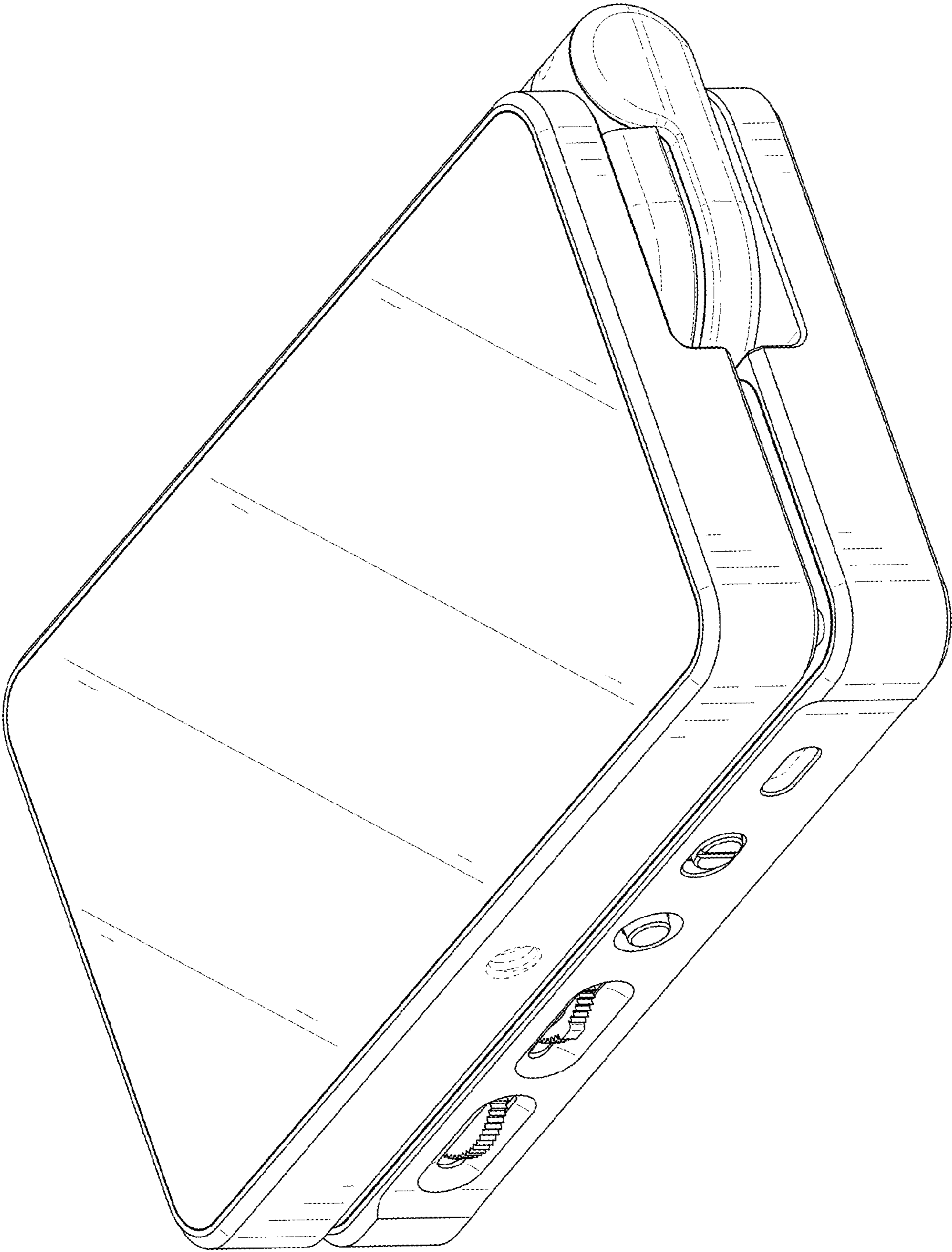


FIG. 12