



US00D939122S

(12) **United States Design Patent**
Orozco

(10) **Patent No.:** **US D939,122 S**

(45) **Date of Patent:** **** Dec. 21, 2021**

(54) **CEILING FAN LIGHT KIT**

(71) Applicant: **Sergio Orozco**, New York, NY (US)

(72) Inventor: **Sergio Orozco**, New York, NY (US)

(**) Term: **15 Years**

(21) Appl. No.: **29/659,463**

(22) Filed: **Aug. 9, 2018**

(51) **LOC (13) Cl.** **26-05**

(52) **U.S. Cl.**
USPC **D26/59**; D26/89

(58) **Field of Classification Search**
USPC D23/370, 380, 381, 382, 411, 332, 328,
D23/378
CPC ... F04D 25/008; F04D 25/084; F21V 33/0096
See application file for complete search history.

(56) **References Cited**

U.S. PATENT DOCUMENTS

D402,382 S *	12/1998	Pearce	D26/85
D482,816 S *	11/2003	Packer	D26/61
D551,796 S *	9/2007	Acedo	D26/88
D627,454 S *	11/2010	Pan	D23/377
D632,412 S *	2/2011	Pan	D26/59
D633,611 S *	3/2011	Pan	D23/377
D796,660 S *	9/2017	Schulzman	D23/377

D821,559 S *	6/2018	Hidalgo	D23/377
D833,597 S *	11/2018	Hidalgo	D23/377
D861,152 S *	9/2019	Orozco	D23/377
D879,940 S *	3/2020	Orozco	D23/411

* cited by examiner

Primary Examiner — Janice Hallmark

(74) *Attorney, Agent, or Firm* — Muncy, Geissler, Olds & Lowe, P.C.

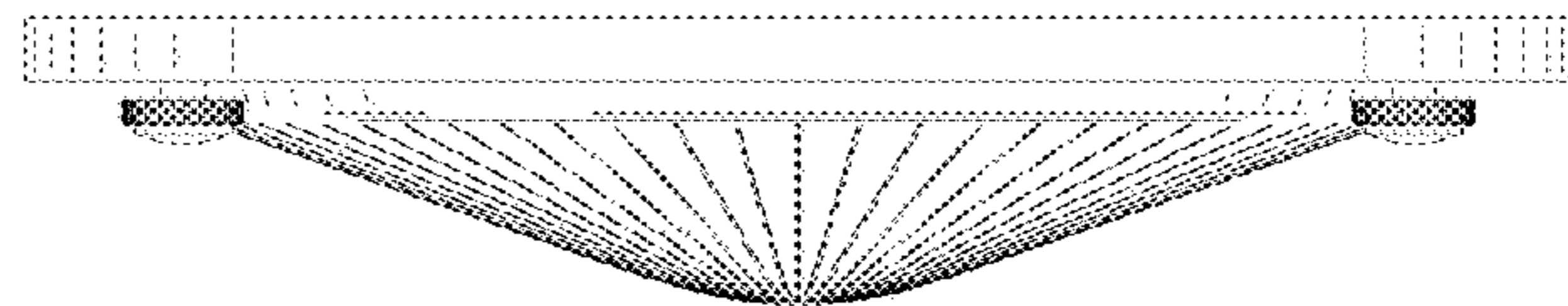
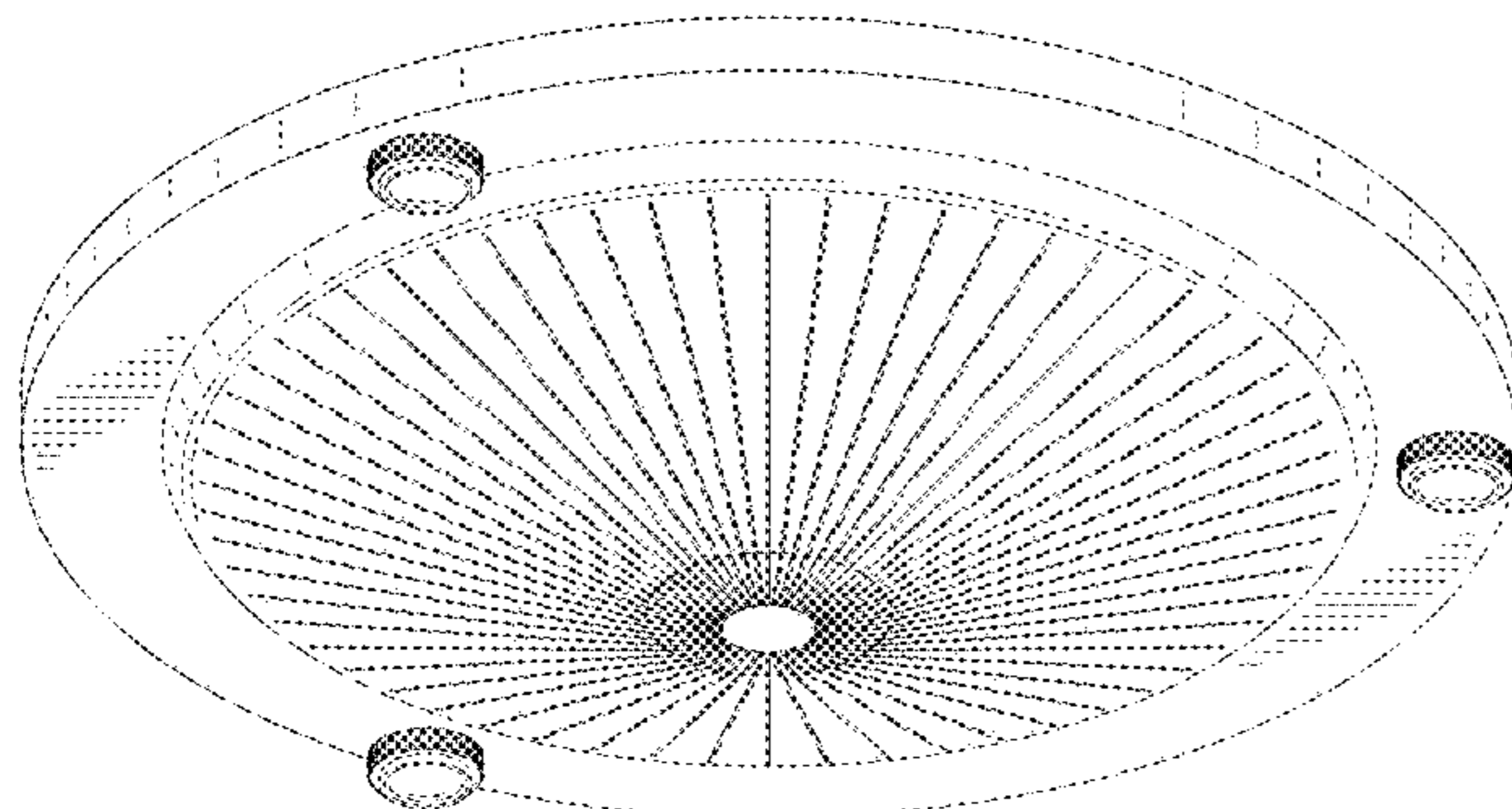
(57) **CLAIM**

The ornamental design for a ceiling fan light kit, as shown and described.

DESCRIPTION

FIG. 1 is a perspective view of a ceiling fan light kit in the environment of a ceiling fan showing the new design; FIG. 2 is an enlarged perspective view thereof; FIG. 3 is an enlarged front elevational view thereof; FIG. 4 is an enlarged rear elevational view thereof; FIG. 5 is an enlarged left side elevational view thereof; FIG. 6 is an enlarged right side elevational view thereof; FIG. 7 is an enlarged top plan view thereof; FIG. 8 is an enlarged bottom plan view thereof; FIG. 9 is an enlarged front elevational view of a portion thereof; and, FIG. 10 is an enlarged bottom plan view of a portion thereof. The broken lines shown in FIGS. 1 and 7 depict environment and portions of the ceiling fan light kit that form no part of the claimed design.

1 Claim, 10 Drawing Sheets



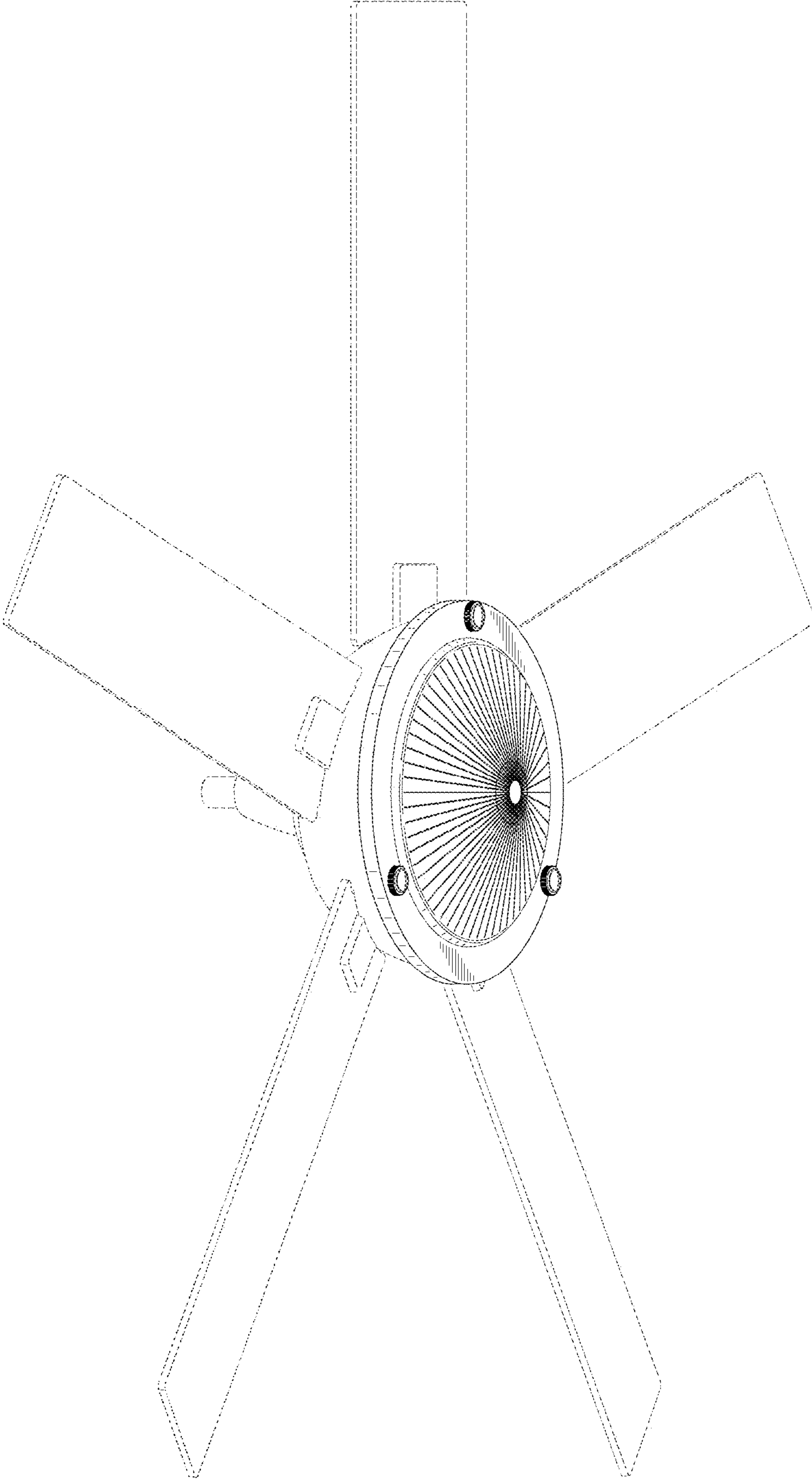


FIG. 1

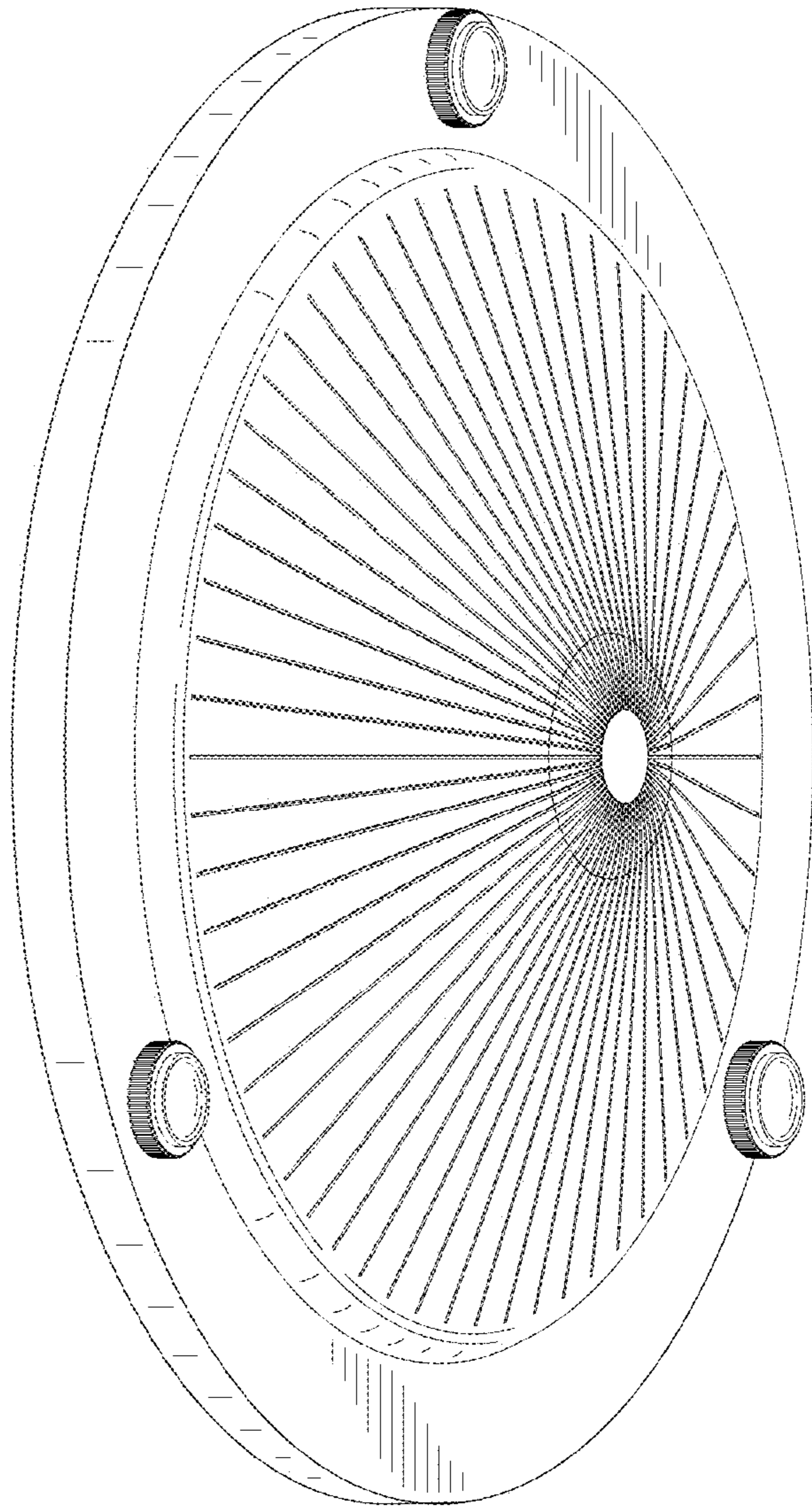


FIG. 2

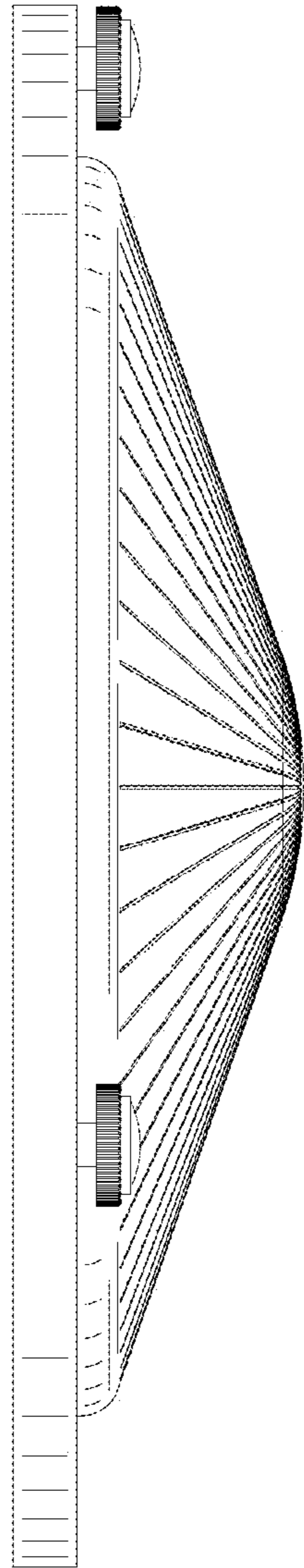


FIG. 3

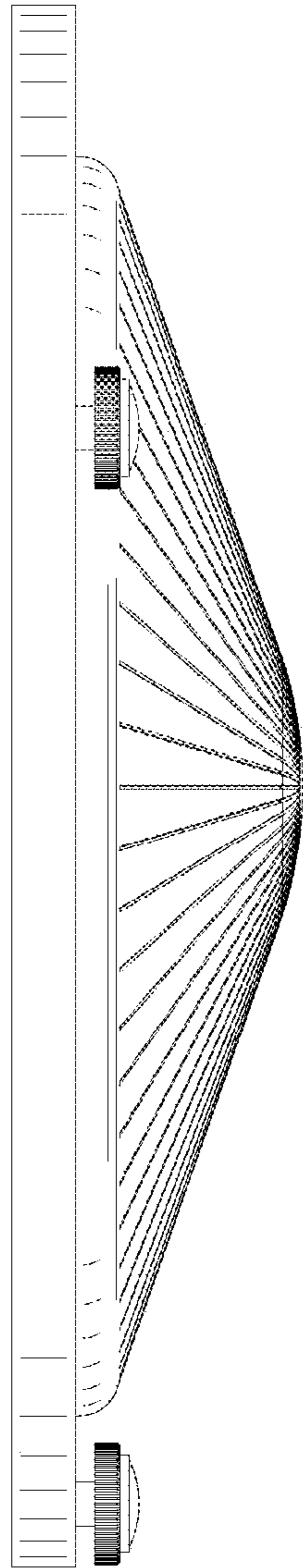


FIG. 4

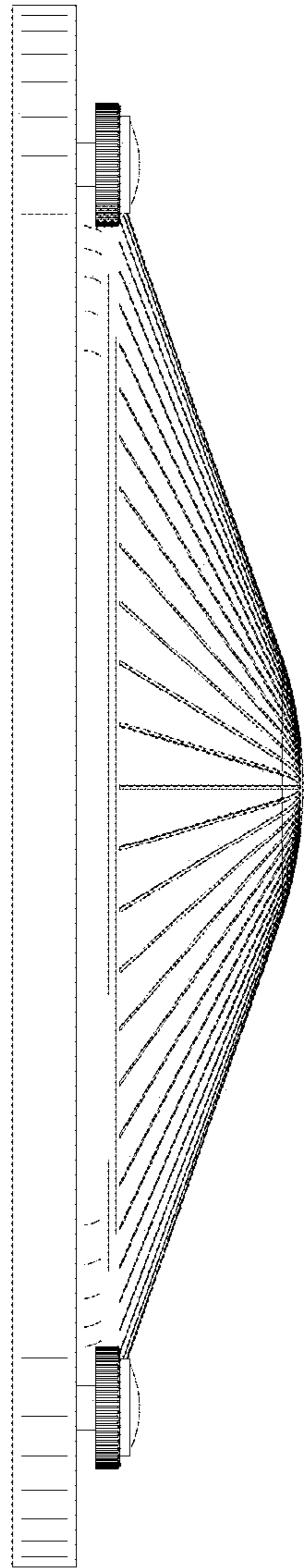


FIG. 5

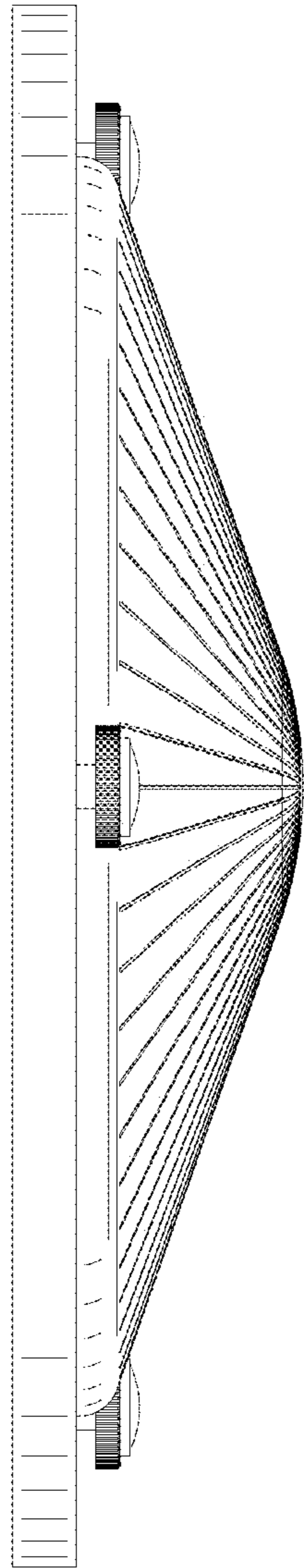


FIG. 6

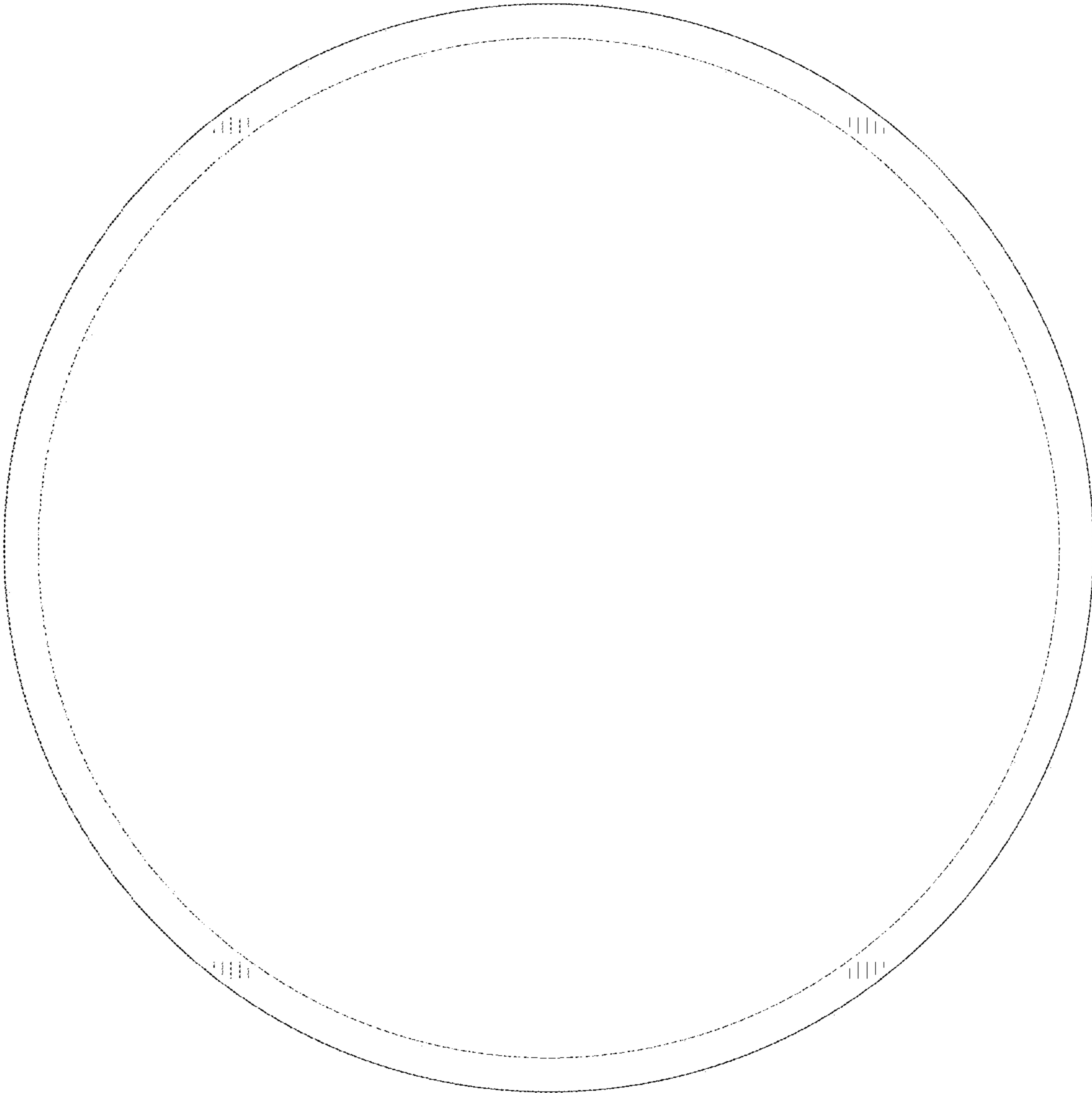


FIG. 7

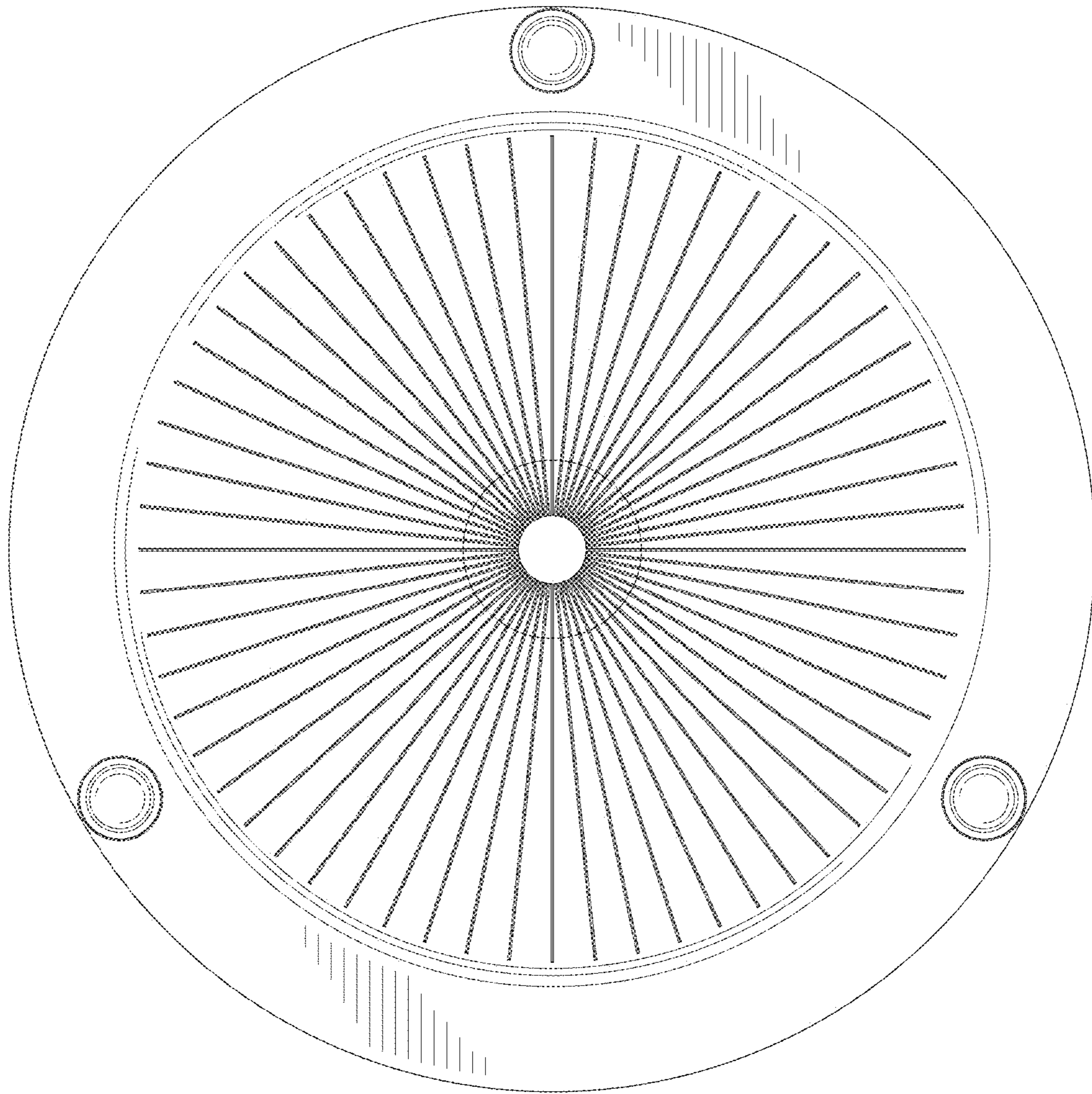


FIG. 8

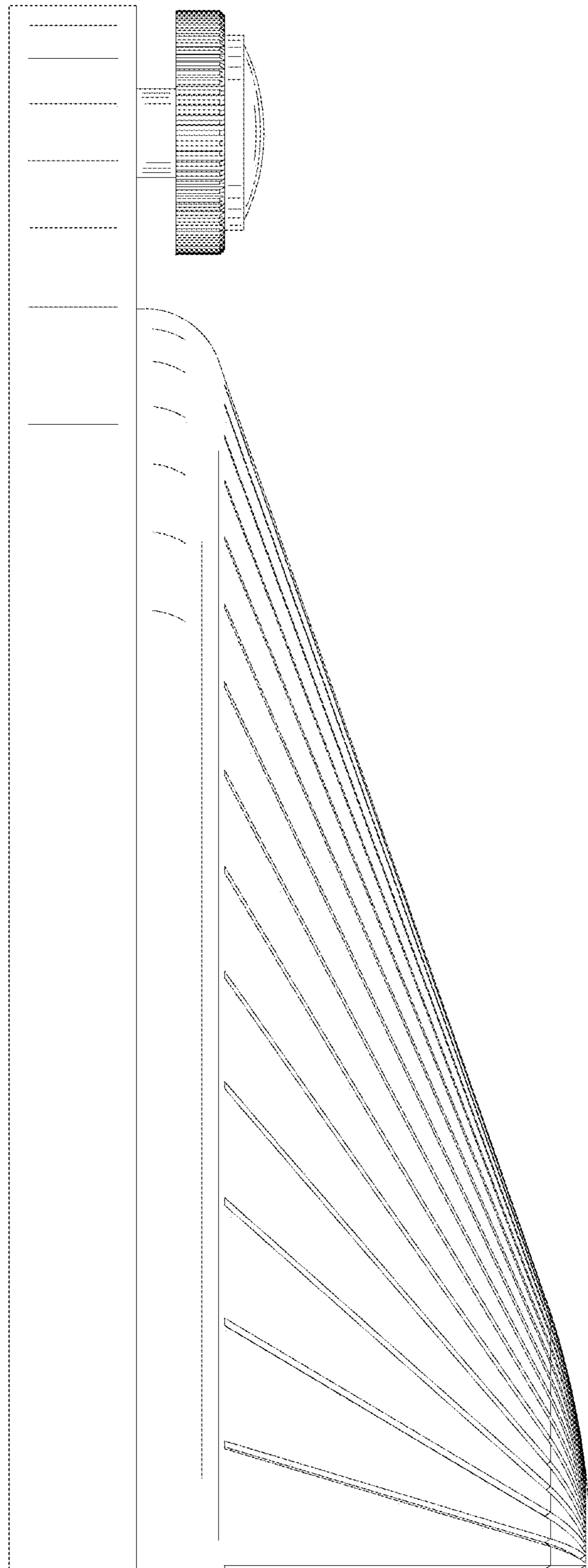


FIG. 9

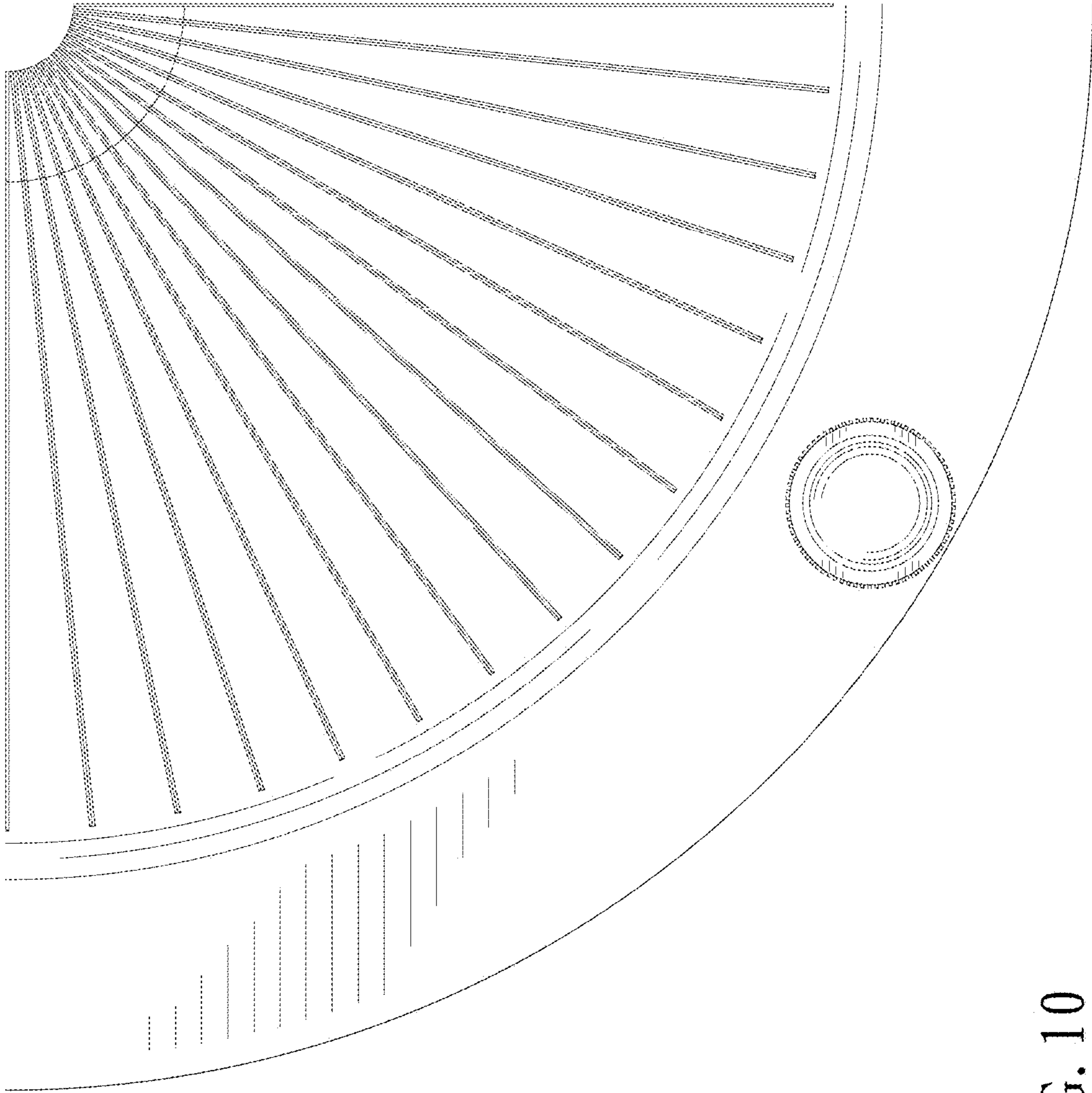


FIG. 10