



US00D939114S

(12) **United States Design Patent**
Chen

(10) **Patent No.:** **US D939,114 S**

(45) **Date of Patent:** **** Dec. 21, 2021**

(54) **CAR HEADLIGHT**

(71) Applicant: **ZHEJIANG YUANZHENG
AUTO&MOTORCYCLE
ACCESSORIES CO., LTD.**, Rui'an
(CN)

(72) Inventor: **Yu Chen**, Rui'an (CN)

(**) Term: **15 Years**

(21) Appl. No.: **29/750,330**

(22) Filed: **Sep. 13, 2020**

(51) **LOC (13) Cl.** **26-06**

(52) **U.S. Cl.**
USPC **D26/28**

(58) **Field of Classification Search**
USPC D26/28-36, 139
CPC F21S 48/00; F21S 48/10; F21S 48/115;
F21S 48/225; F21S 48/1233; F21S
48/1266; F21S 48/1388; F21S 48/2268;
F21V 21/04; F21V 29/004; B60Q 9/13;
B60Q 9/135; B60Q 9/1375

See application file for complete search history.

(56) **References Cited**

U.S. PATENT DOCUMENTS

D593,233 S 5/2009 Bai et al.
D597,689 S 8/2009 Sun et al.

D878,642 S 3/2020 Ren
D883,535 S * 5/2020 He D26/28
D890,386 S * 7/2020 Wu D26/28
D892,368 S * 8/2020 Lin D26/28
D903,157 S * 11/2020 Platto D26/28
D909,634 S * 2/2021 He D26/28

* cited by examiner

Primary Examiner — Marcus A Jackson

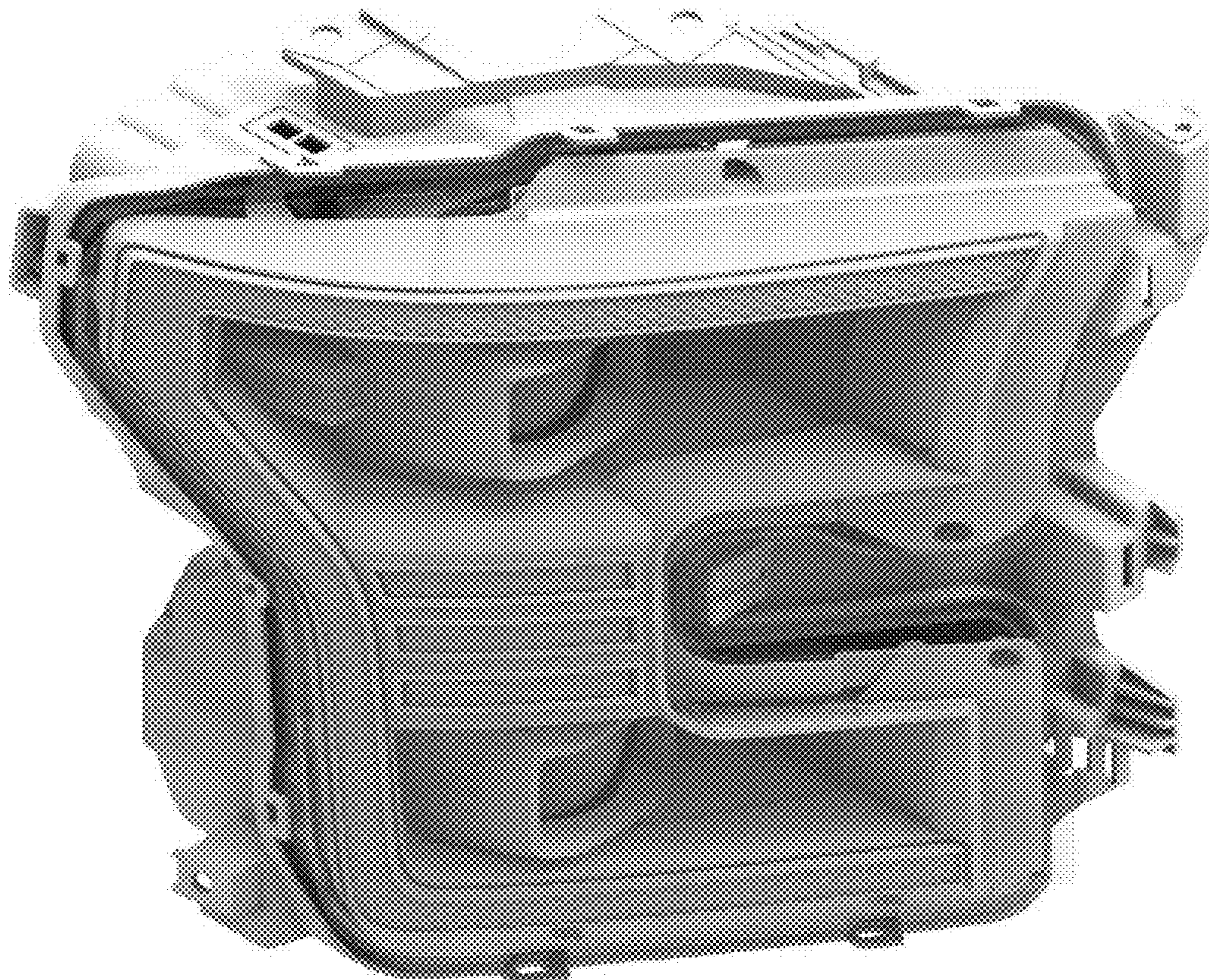
(57) **CLAIM**

The ornamental design for a car headlight, as shown and described.

DESCRIPTION

FIG. 1 is a first perspective view of a car headlight showing my new design;
FIG. 2 is a second perspective view thereof;
FIG. 3 is a front view thereof;
FIG. 4 is a back view thereof;
FIG. 5 is a left side view thereof;
FIG. 6 is a right side view thereof;
FIG. 7 is a top view thereof; and,
FIG. 8 is a bottom view thereof.

1 Claim, 8 Drawing Sheets



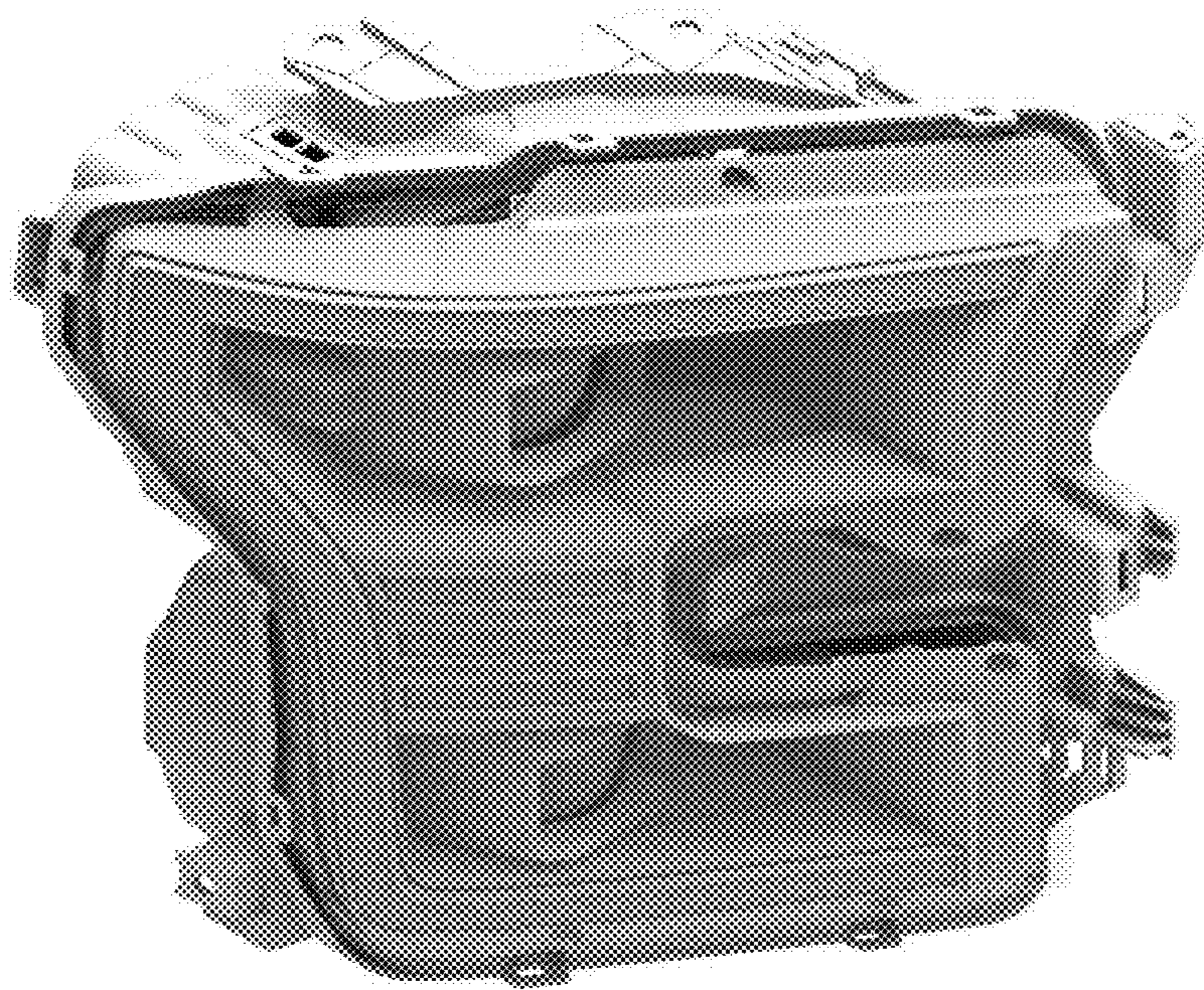


FIG.1

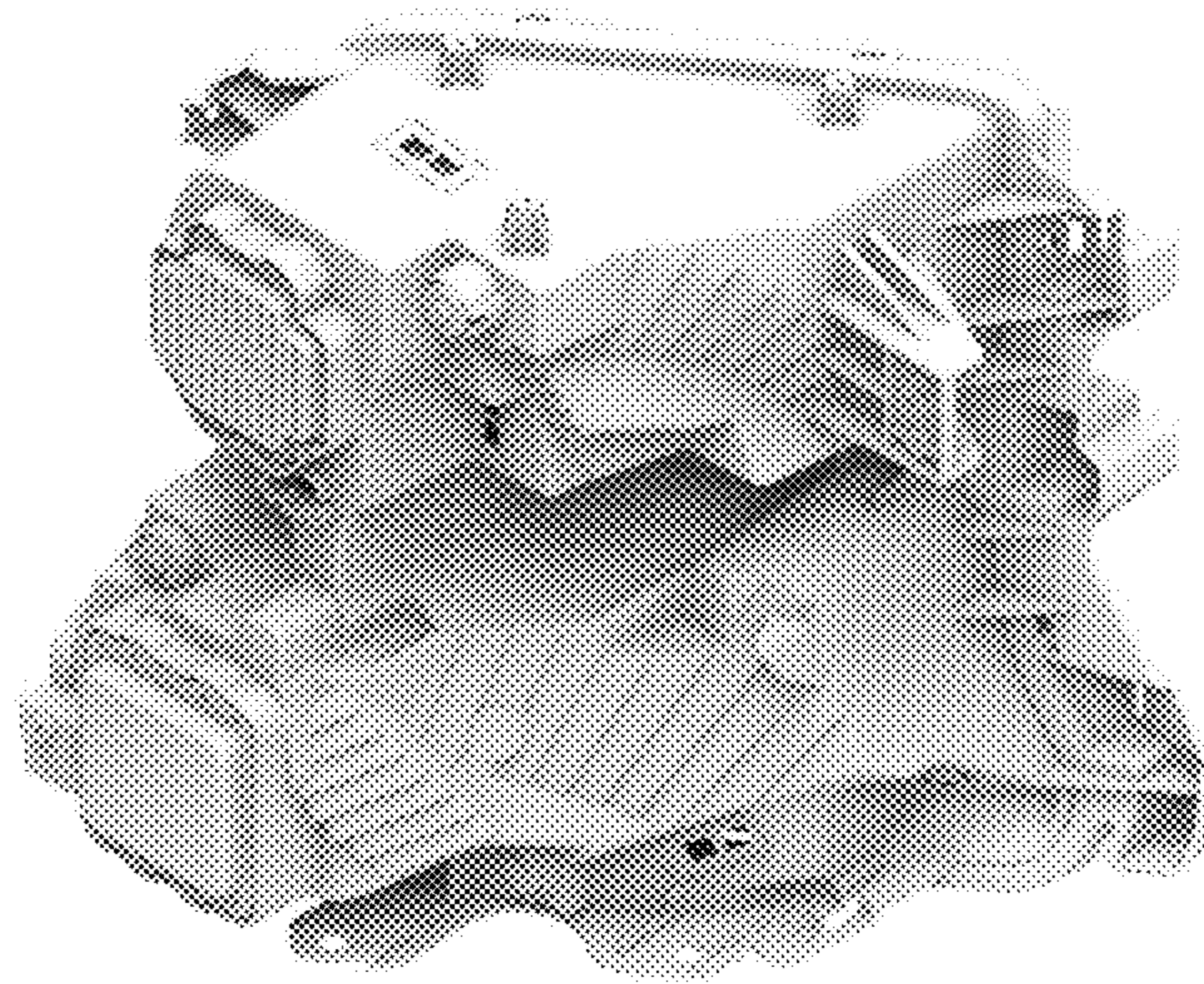


FIG.2

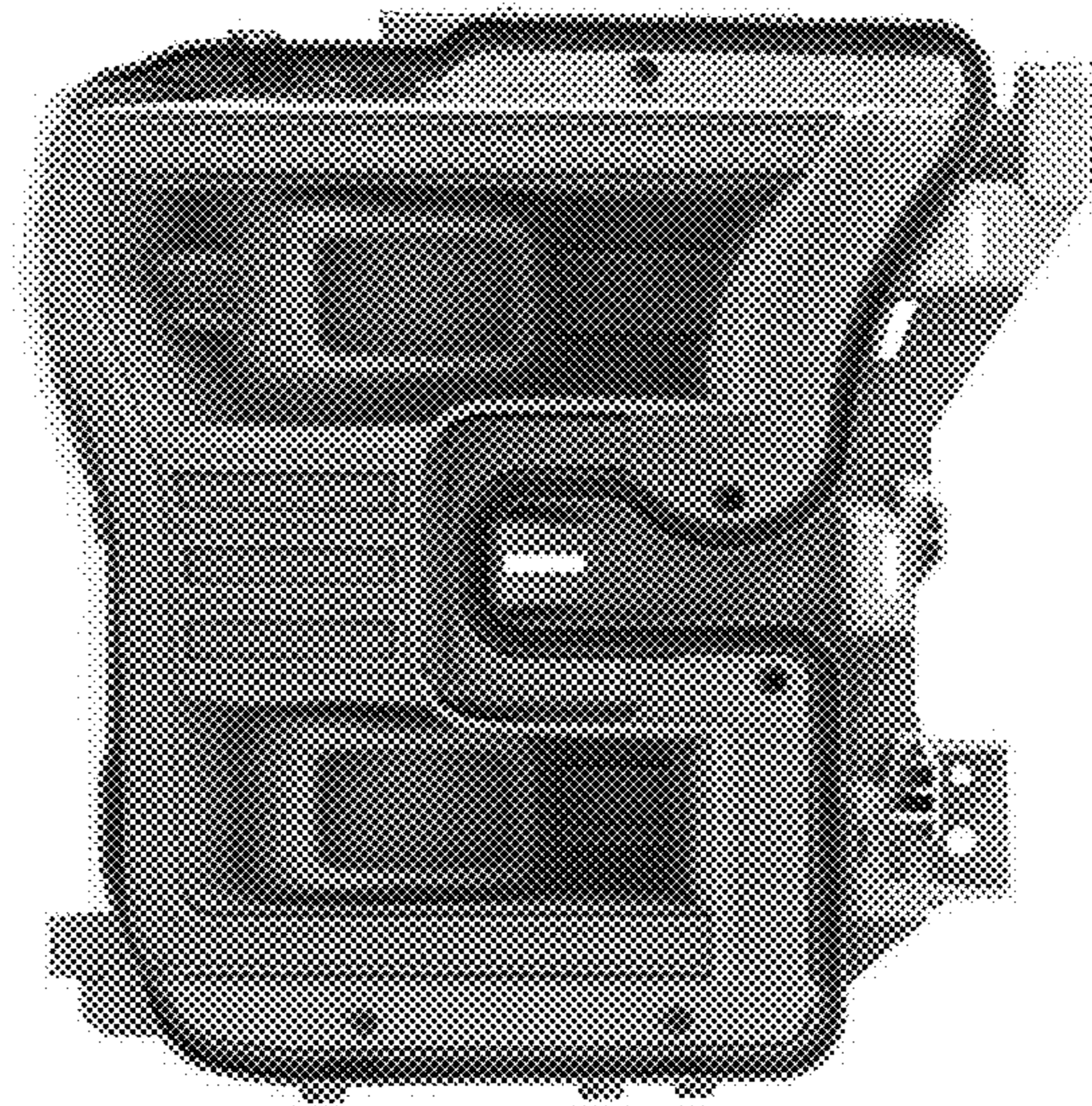


FIG.3

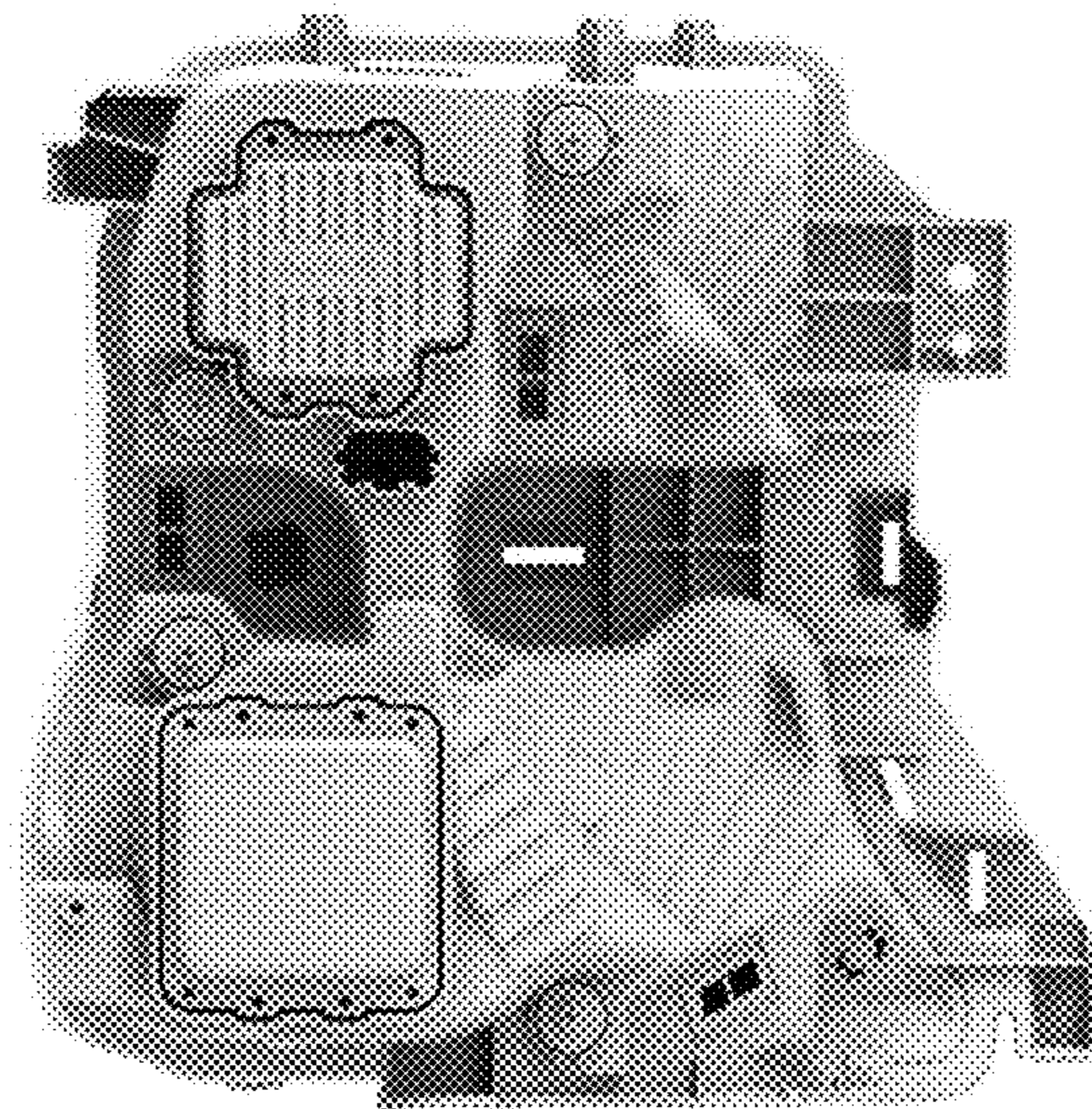


FIG.4

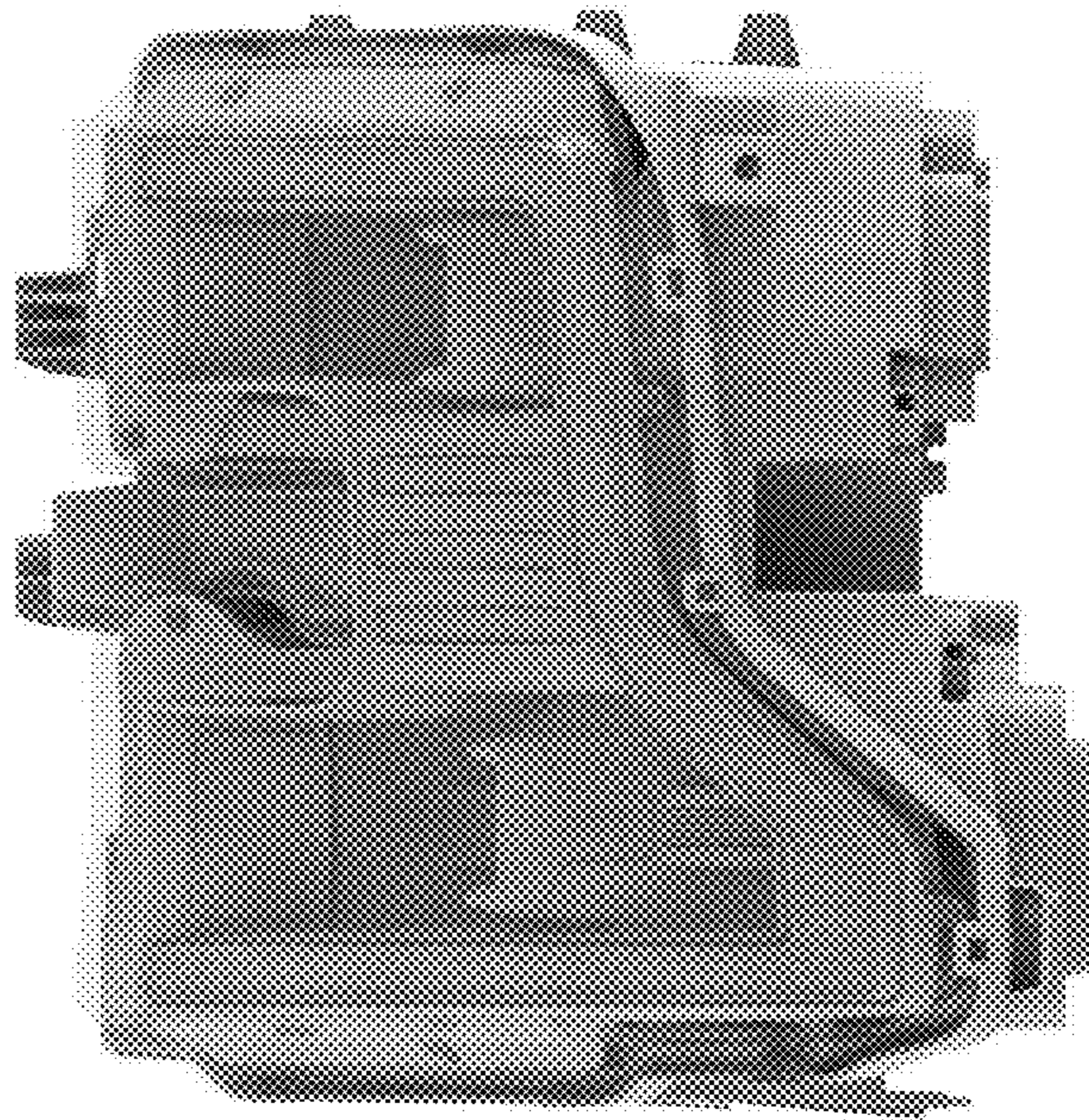


FIG.5

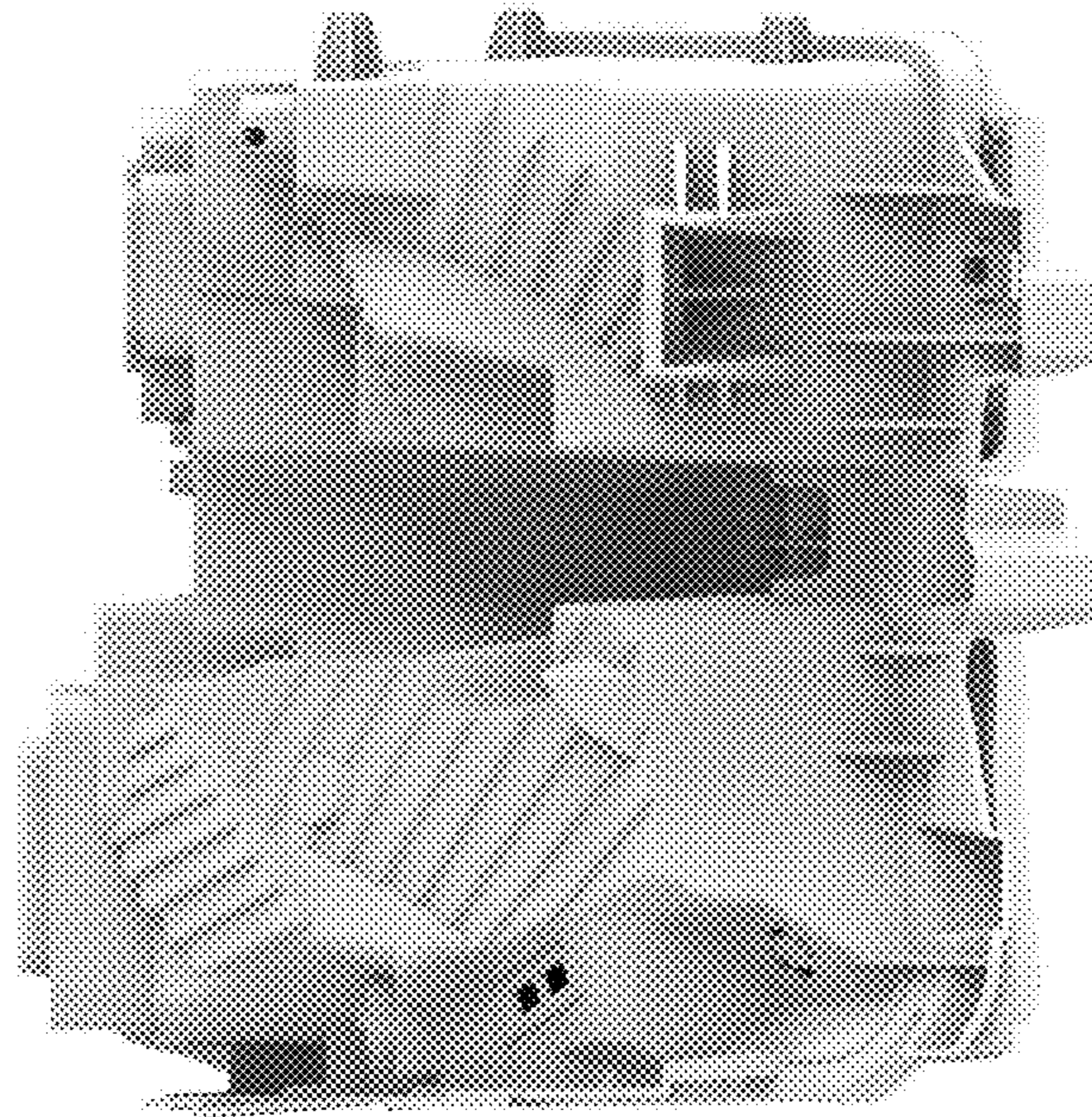


FIG.6

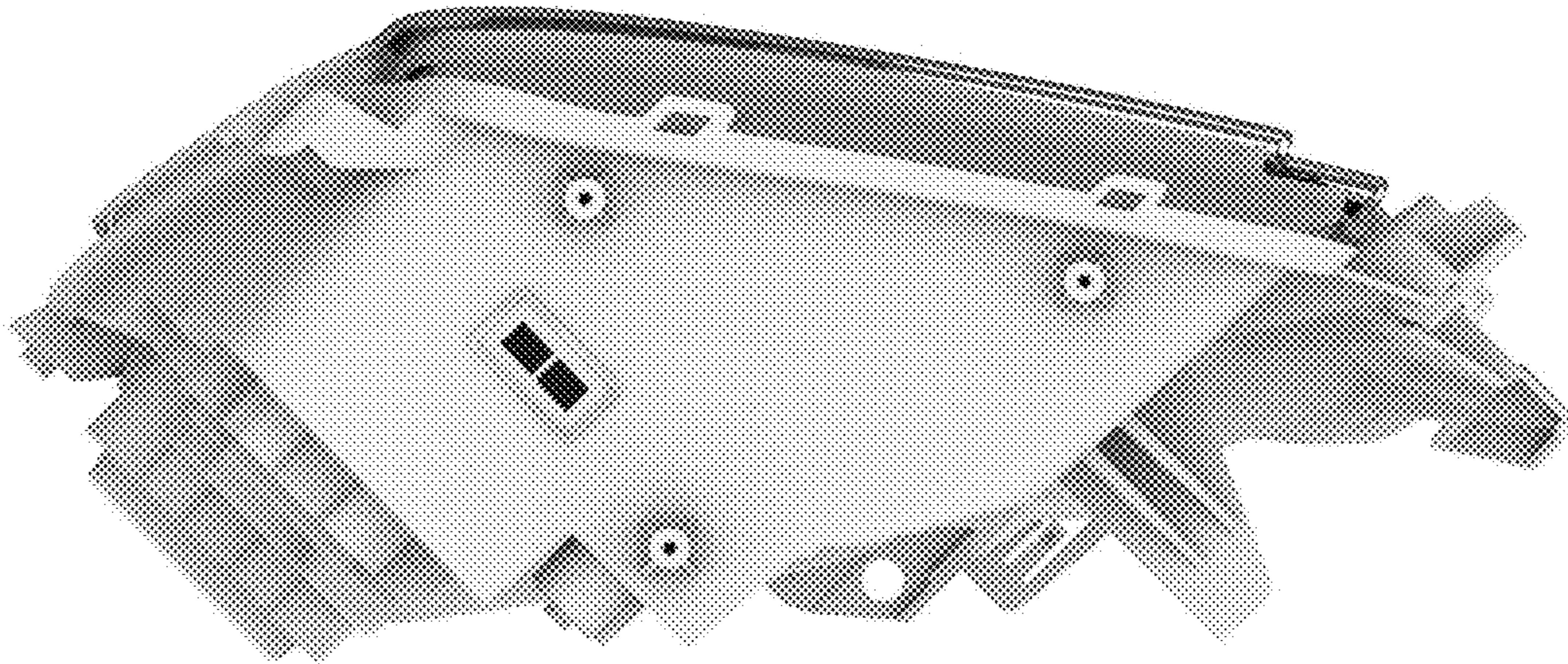


FIG.7

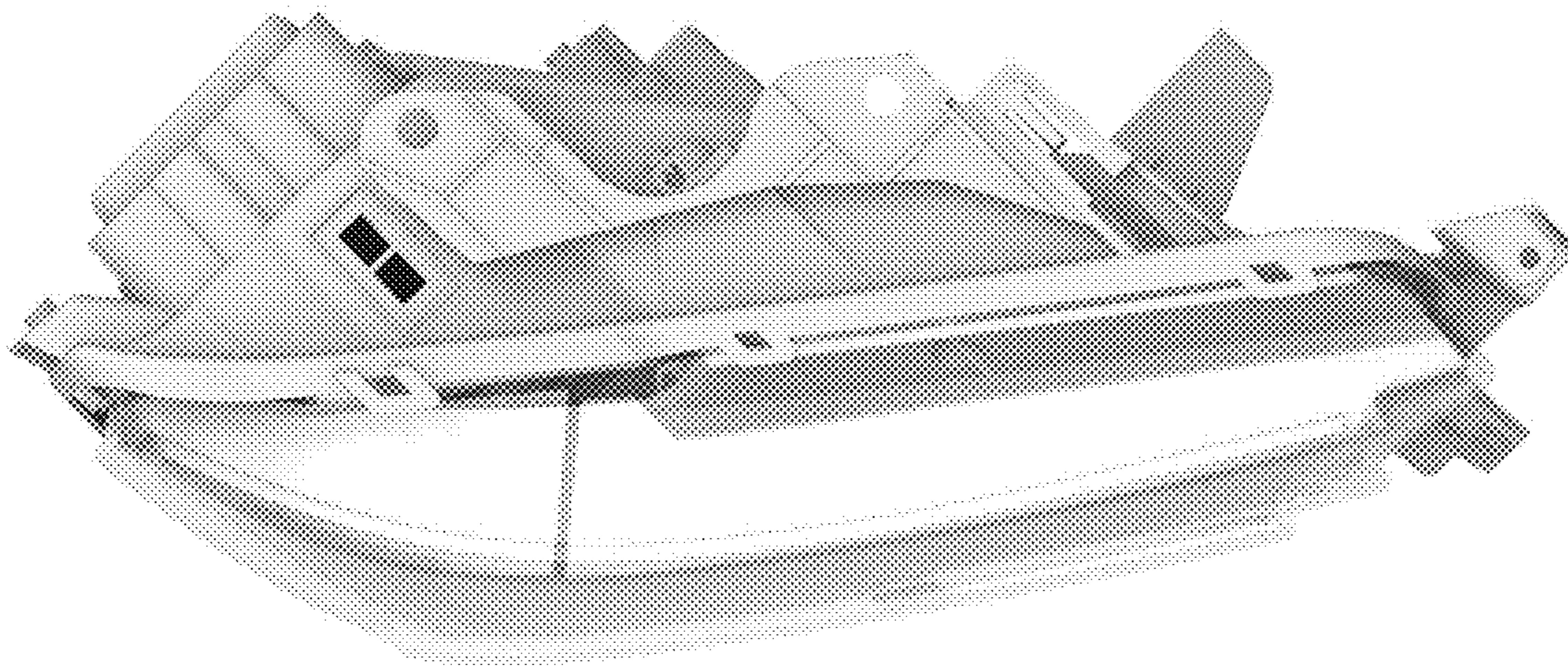


FIG.8