



US00D939113S

(12) **United States Design Patent** (10) **Patent No.:** **US D939,113 S**
Wu (45) **Date of Patent:** **** Dec. 21, 2021**

(54) **VEHICLE LIGHT**
(71) Applicant: **COPLUS INC.**, Tainan (TW)
(72) Inventor: **Po-Hua Wu**, Tainan (TW)
(73) Assignee: **COPLUS INC.**, Tainan (TW)
(**) Term: **15 Years**
(21) Appl. No.: **29/747,800**

D801,562 S * 10/2017 Kang D26/28
D808,050 S * 1/2018 Morelock D26/28
D868,317 S * 11/2019 Lin D26/28
D874,053 S * 1/2020 Zipfel D26/139
D887,044 S * 6/2020 Lin D26/28
D921,940 S * 6/2021 Yang D26/28
D925,078 S * 7/2021 Lin D26/28
D925,789 S * 7/2021 Morelock D26/28
D927,738 S * 8/2021 Noguchi D26/28
D928,359 S * 8/2021 Luo D26/28
D930,199 S * 9/2021 Chen D26/28

* cited by examiner

(22) Filed: **Aug. 25, 2020**

Primary Examiner — Angela J Lee

(30) **Foreign Application Priority Data**

(74) *Attorney, Agent, or Firm* — Lewis Roca Rothgerber
Christie LLP

Jun. 3, 2020 (TW) 109302974

(51) **LOC (13) Cl.** **26-06**

(52) **U.S. Cl.**
USPC **D26/28**

(57) **CLAIM**

(58) **Field of Classification Search**
USPC D26/28, 29, 30, 31, 32, 33, 34, 35, 36,
D26/44

The ornamental design for a vehicle light, as shown and described.

CPC F21S 48/00; F21S 48/10; F21S 48/115;
F21S 48/225; F21S 48/1233; F21S
48/1266; F21S 48/1388; F21S 48/2268;
F21V 21/04; F21W 2103/35; F21W 3/40;
F21W 2102/17; F21W 2102/30; F21W
2103/00; F21W 2103/55; F21W 2104/00;
F21W 2107/17; F21W 2107/13

DESCRIPTION

See application file for complete search history.

FIG. 1 is a perspective view of the vehicle light;
FIG. 2 is a front view thereof;
FIG. 3 is a rear view thereof;
FIG. 4 is a left side view thereof;
FIG. 5 is a right side view thereof;
FIG. 6 is a top view thereof; and,
FIG. 7 is a bottom view thereof.

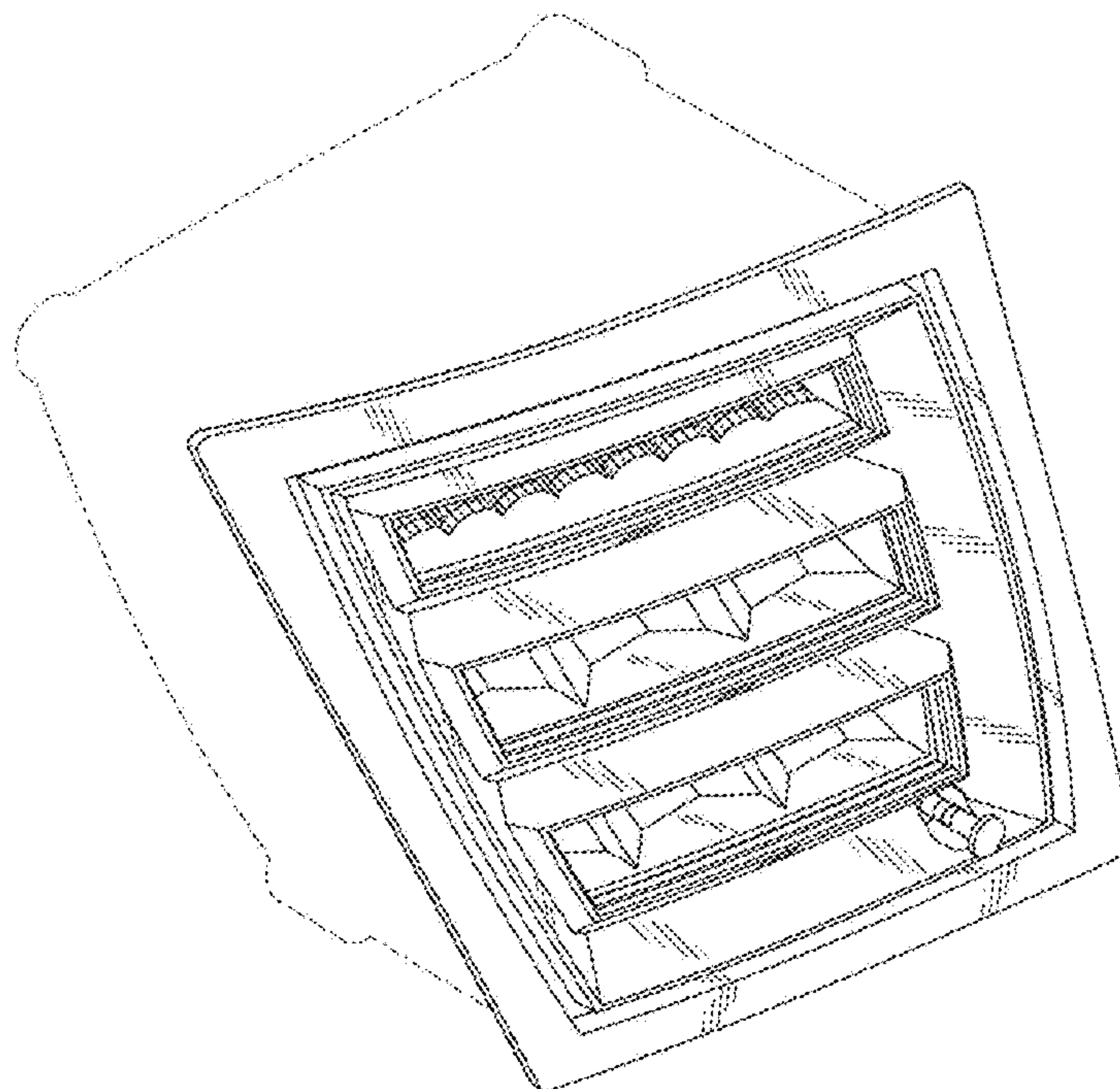
The broken lines in the drawings depict portions of the article that form no part of the claimed design.

(56) **References Cited**

U.S. PATENT DOCUMENTS

D588,725 S * 3/2009 Ohhashi D26/28
D772,447 S * 11/2016 Lin D26/28

1 Claim, 7 Drawing Sheets



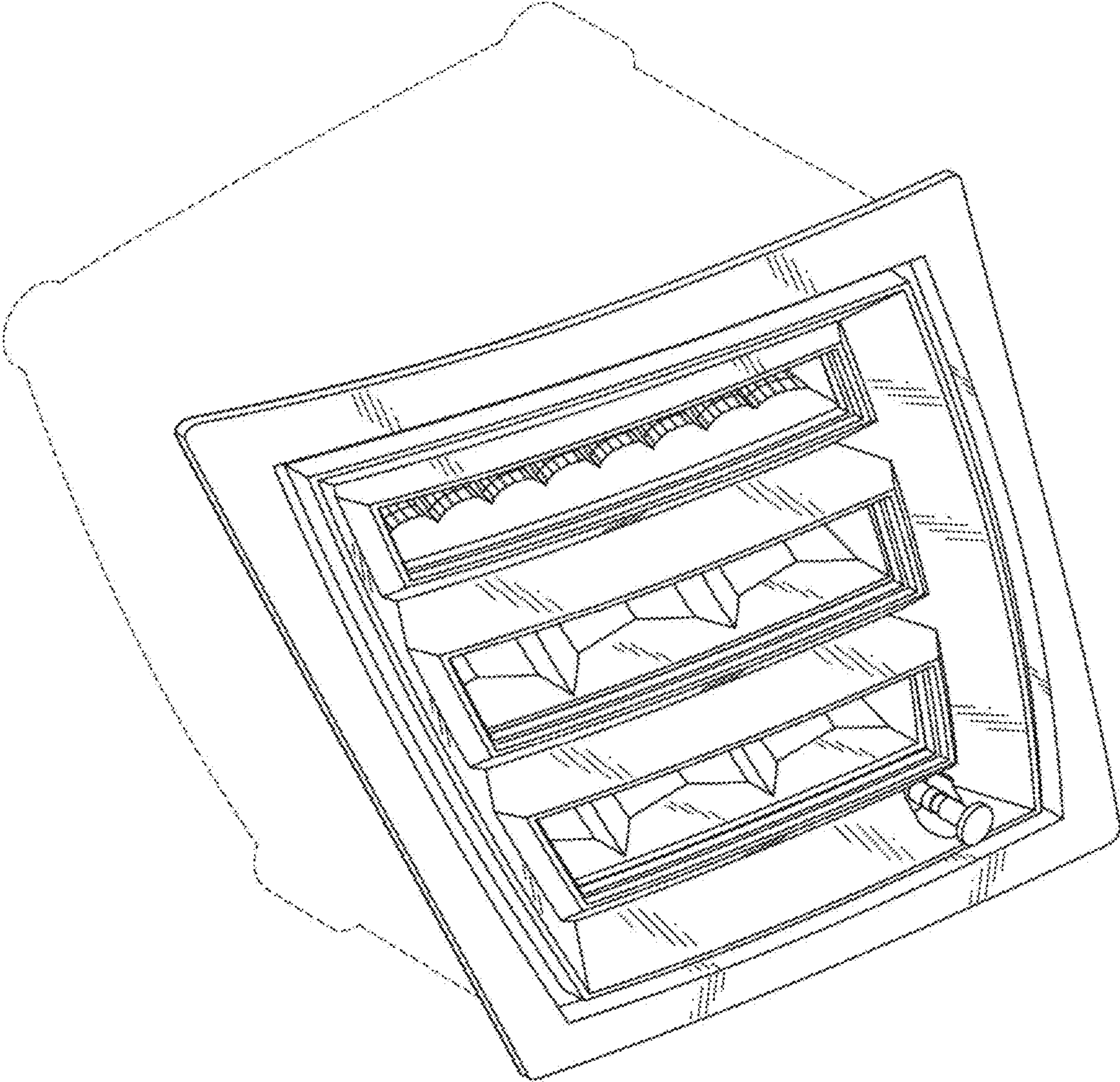


FIG. 1

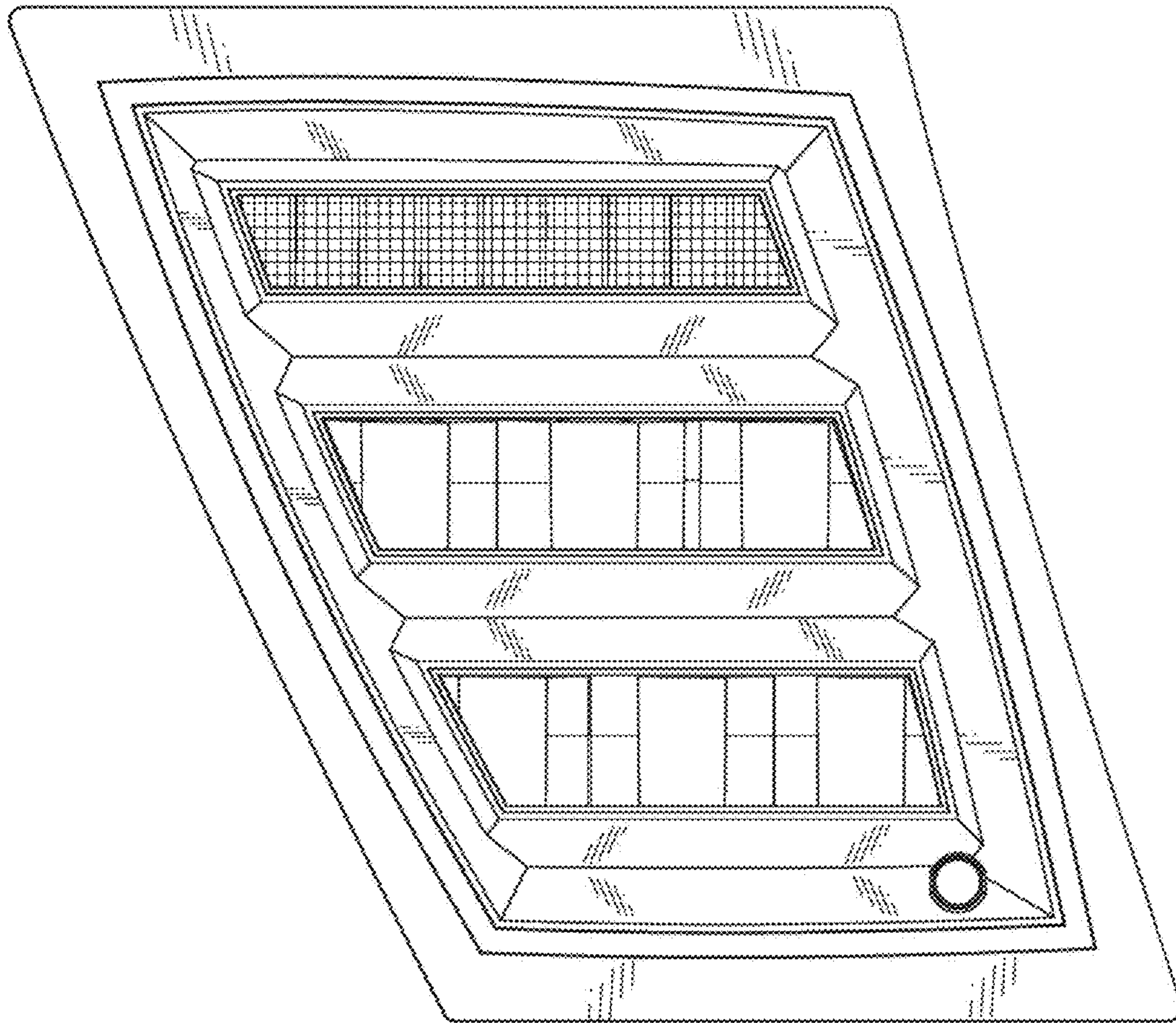


FIG. 2

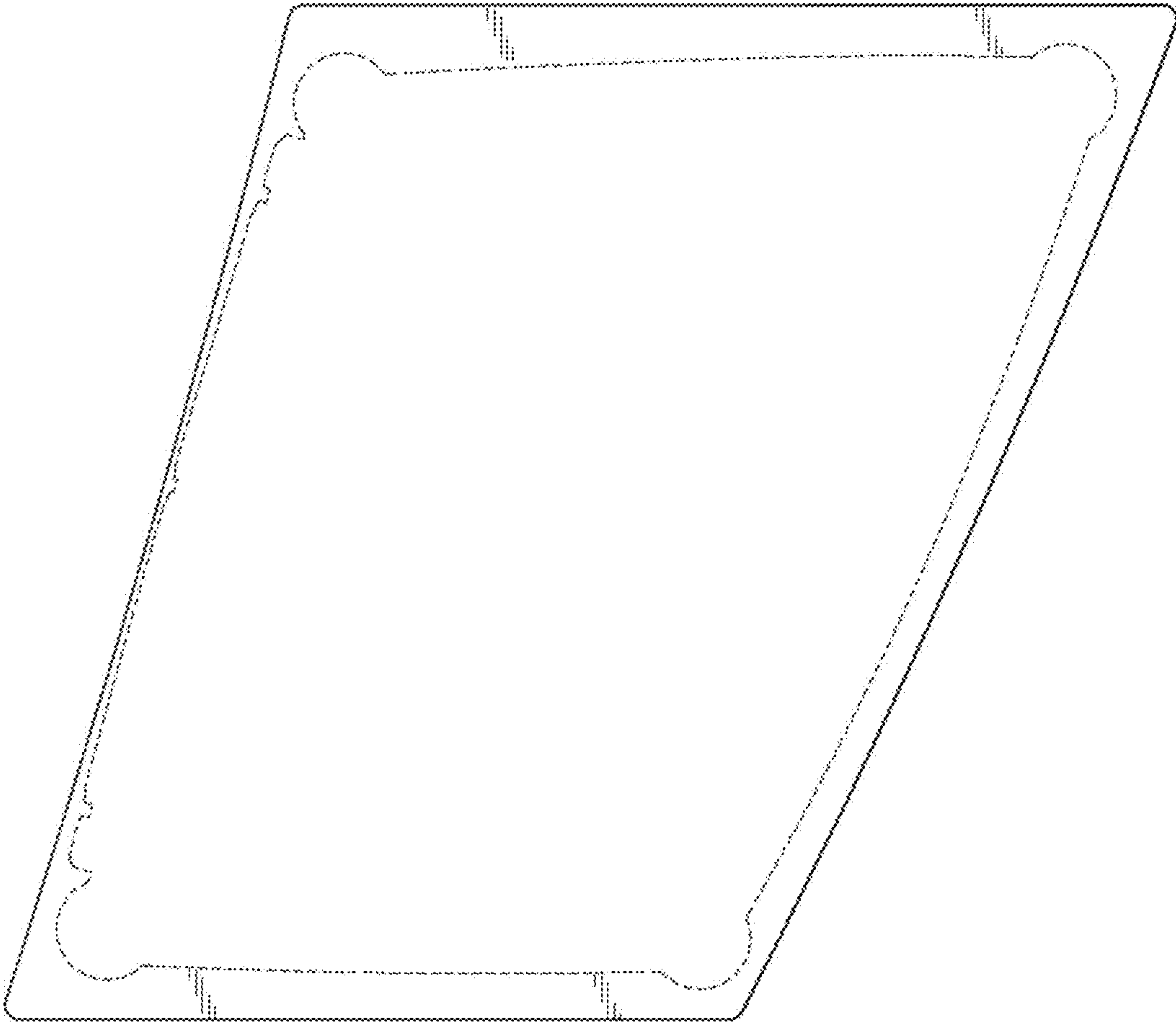


FIG. 3

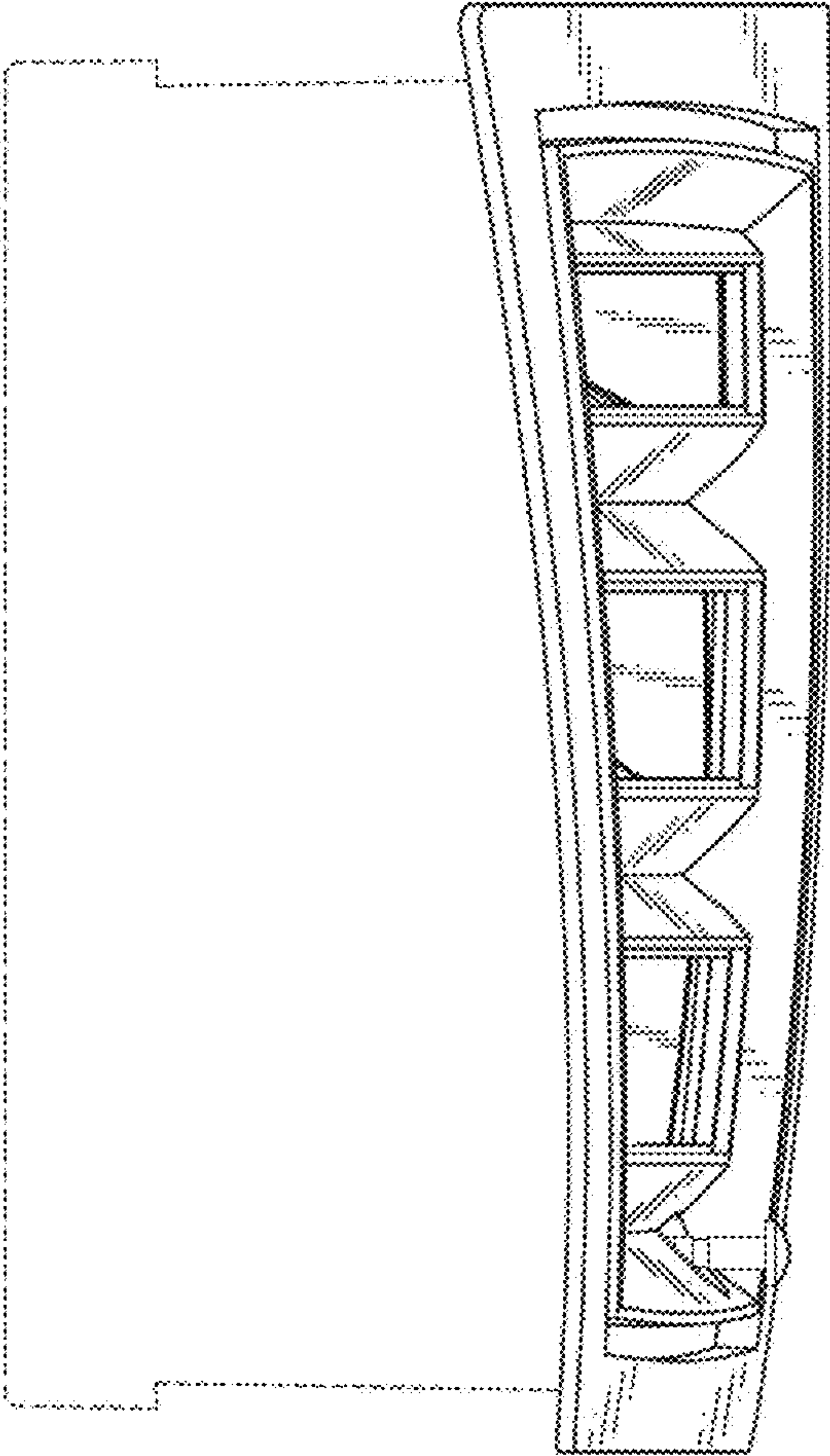


FIG. 4

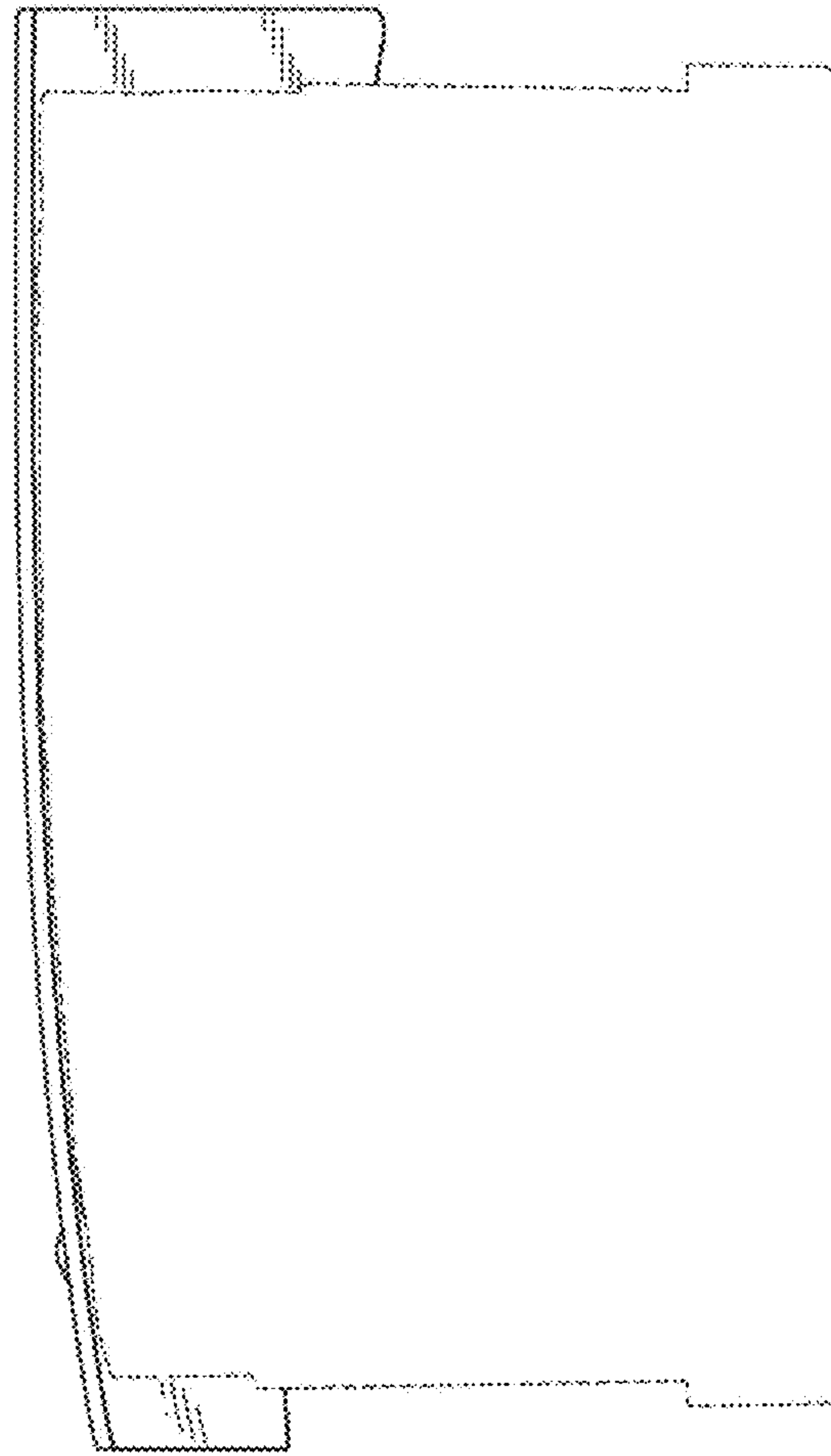


FIG. 5

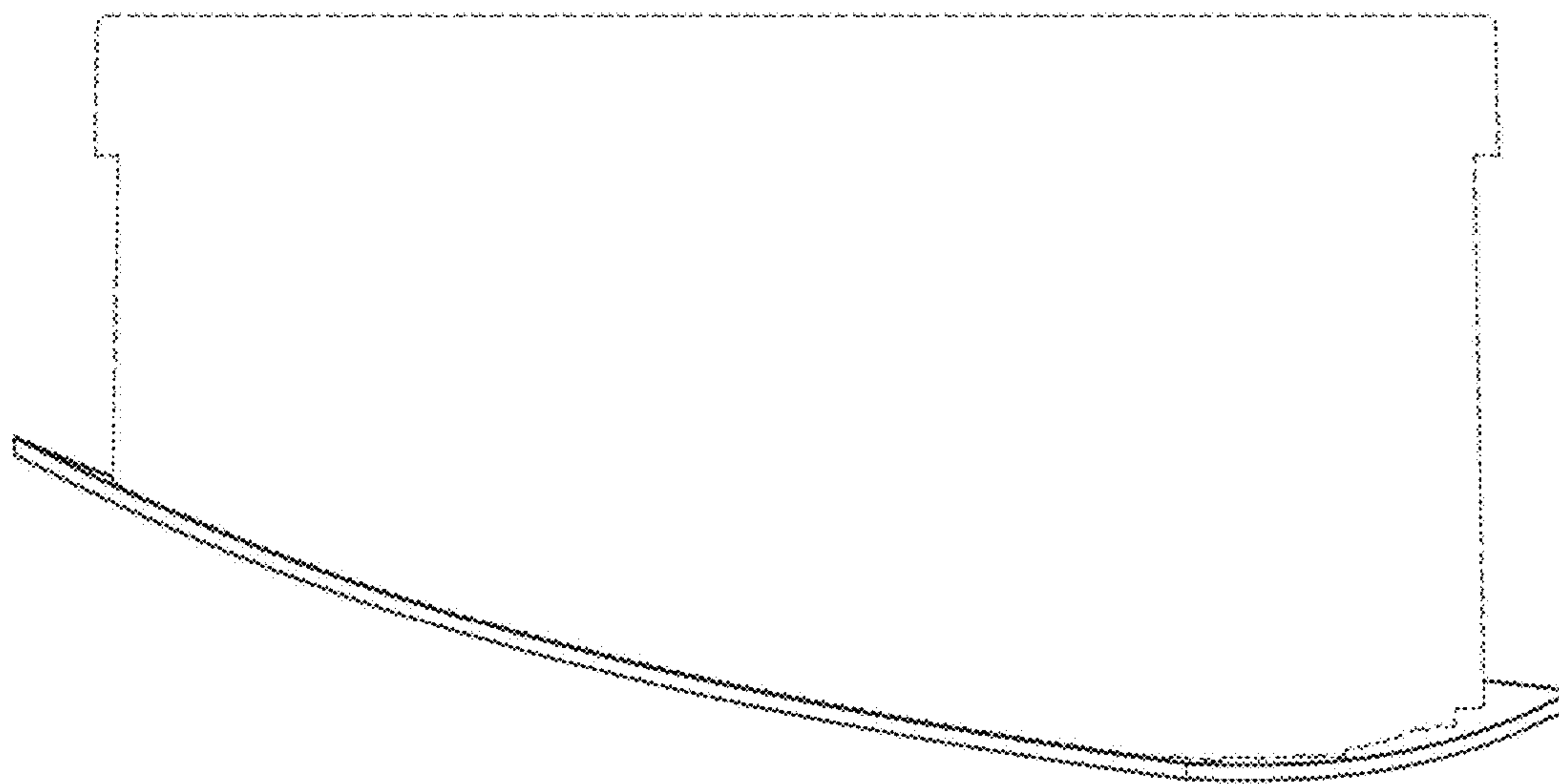


FIG. 6

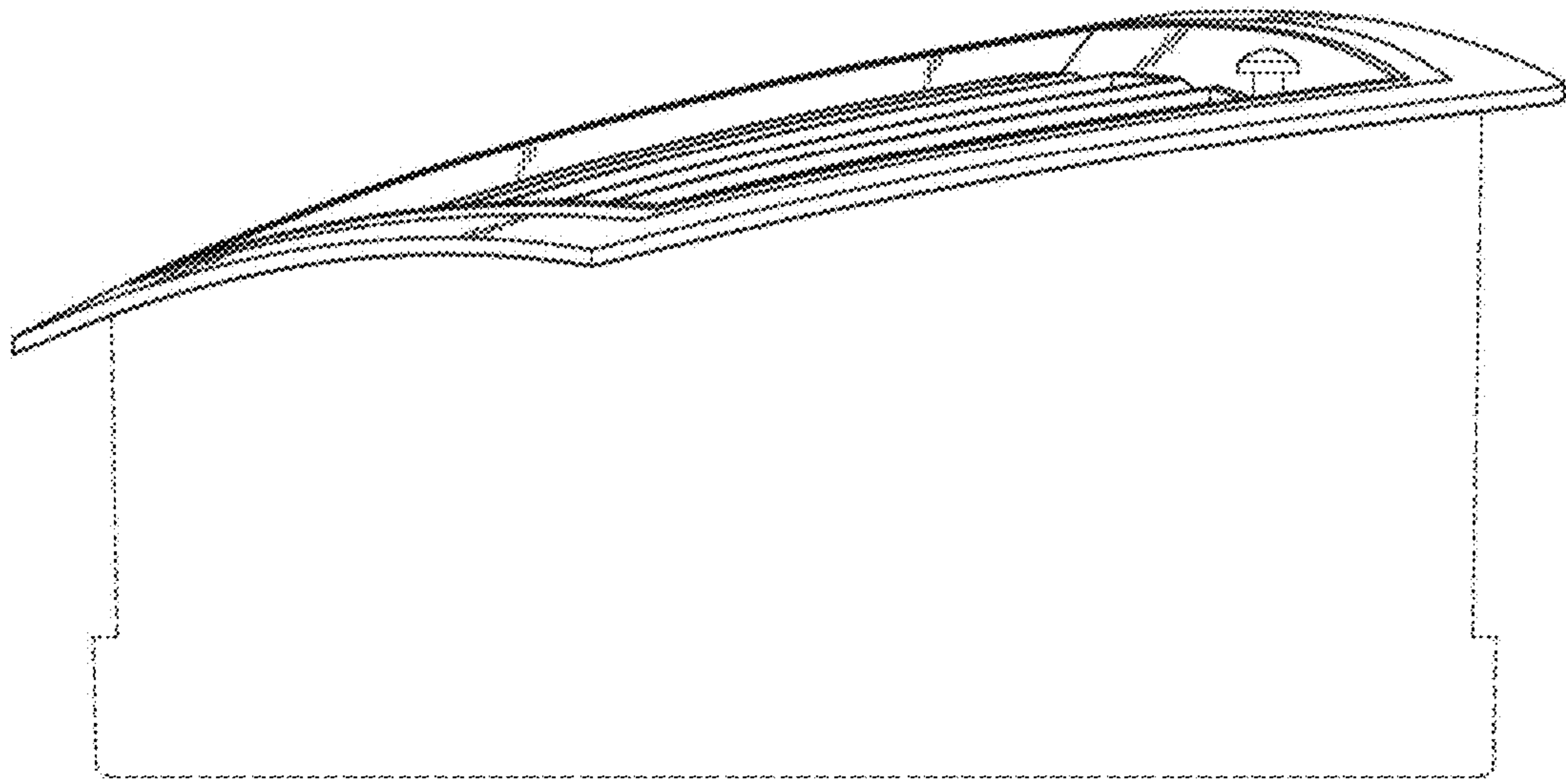


FIG. 7