



US00D939111S

(12) **United States Design Patent** (10) **Patent No.:** **US D939,111 S**  
**Allmendinger** (45) **Date of Patent:** **\*\* Dec. 21, 2021**

(54) **HEADLIGHT FOR A VEHICLE**  
(71) Applicant: **Bayerische Motoren Werke Aktiengesellschaft, Munich (DE)**  
(72) Inventor: **Georg Allmendinger, Munich (DE)**  
(73) Assignee: **Bayerische Motoren Werke Aktiengesellschaft, Munich (DE)**  
(\*\*) Term: **15 Years**

D852,999 S \* 7/2019 Allmendinger ..... D26/28  
D866,024 S \* 11/2019 Hannemann ..... D26/28  
D870,329 S \* 12/2019 Binder ..... D26/28  
D883,533 S \* 5/2020 Zhai ..... D26/28  
D889,697 S \* 7/2020 Tovey ..... D26/28  
D893,772 S \* 8/2020 Binder ..... D26/28

(21) Appl. No.: **29/734,735**

(22) Filed: **May 15, 2020**

(30) **Foreign Application Priority Data**

Nov. 18, 2019 (DE) ..... 402019101253.2

(51) **LOC (13) Cl.** ..... **26-06**

(52) **U.S. Cl.**  
USPC ..... **D26/28**

(58) **Field of Classification Search**  
USPC ..... D26/28-36, 139  
CPC ..... F21S 48/00; F21S 48/10; F21S 48/115;  
F21S 48/225; F21S 48/1233; F21S  
48/1266; F21S 48/1388; F21S 48/2268;  
F21V 21/04; F21V 29/004; B60Q 9/13;  
B60Q 9/135; B60Q 9/1375  
See application file for complete search history.

(56) **References Cited**

**U.S. PATENT DOCUMENTS**

D686,356 S 7/2013 Morgenstern  
D723,724 S 3/2015 Johnson  
D827,885 S \* 9/2018 Hannemann ..... D26/28  
D835,313 S \* 12/2018 Jung ..... D26/28  
D845,521 S 4/2019 Binder

**FOREIGN PATENT DOCUMENTS**

WO WO DM/074766 5/2011  
WO WO DM/076561 2/2012  
WO WO DM/079708 6/2013

\* cited by examiner

*Primary Examiner* — Marcus A Jackson

(74) *Attorney, Agent, or Firm* — Crowell & Moring LLP

(57) **CLAIM**

The ornamental design for a headlight for a vehicle, as shown and described.

**DESCRIPTION**

**CROSS-REFERENCE TO RELATED APPLICATIONS**

This application contains subject matter related to the following co-pending U.S. design patent applications:

Application Ser. No. 29/734,733, filed herewith and entitled "Headlight for a Vehicle"; and

Application Ser. No. 29/734,734, filed herewith and entitled "Headlight for a Vehicle".

FIG. 1 is a front view of a headlight for a vehicle according to the design;

FIG. 2 is a right, front perspective view thereof;

FIG. 3 is a left, bottom perspective view thereof;

FIG. 4 is a right side view thereof;

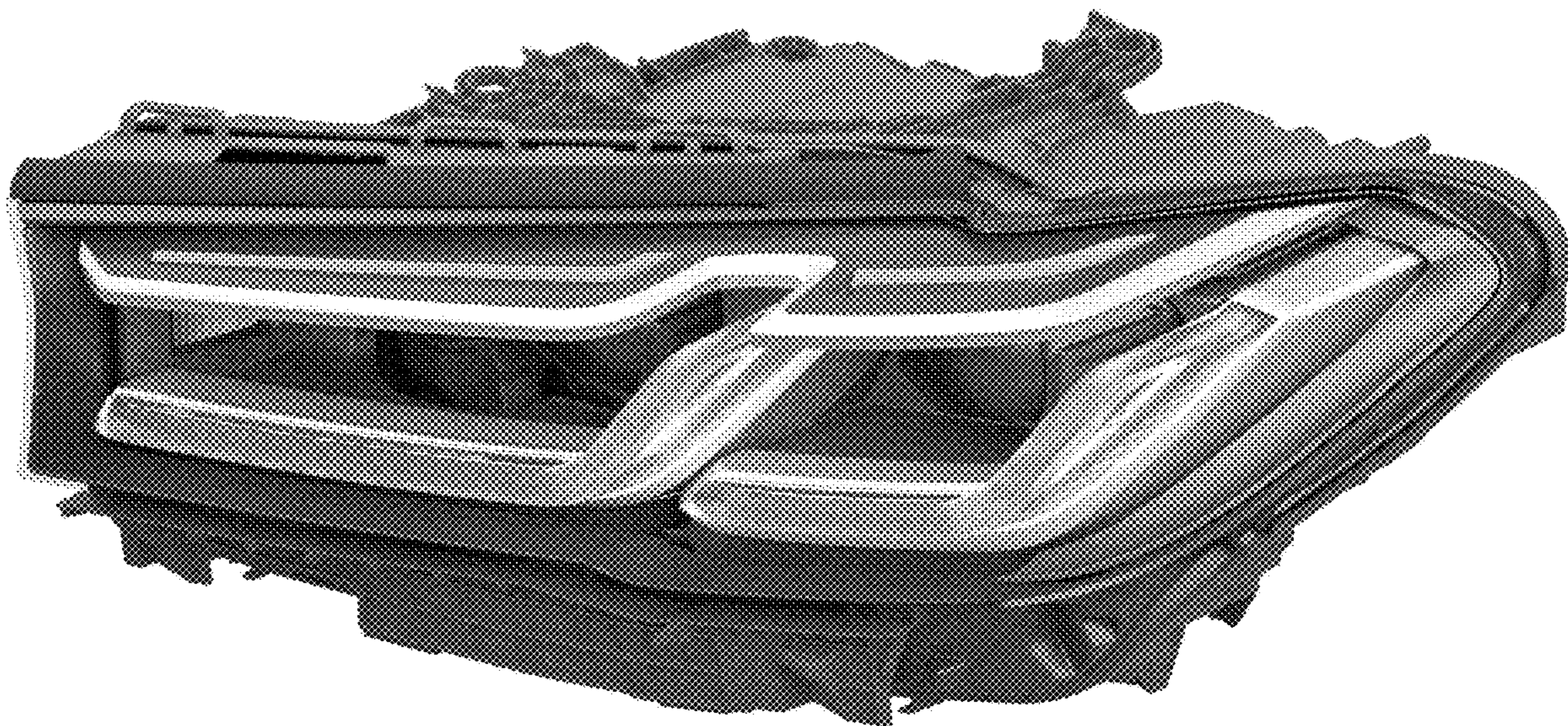
FIG. 5 is a left side view thereof;

FIG. 6 is a top view thereof;

FIG. 7 is a bottom view thereof; and,

FIG. 8 is a rear view thereof.

**1 Claim, 8 Drawing Sheets**



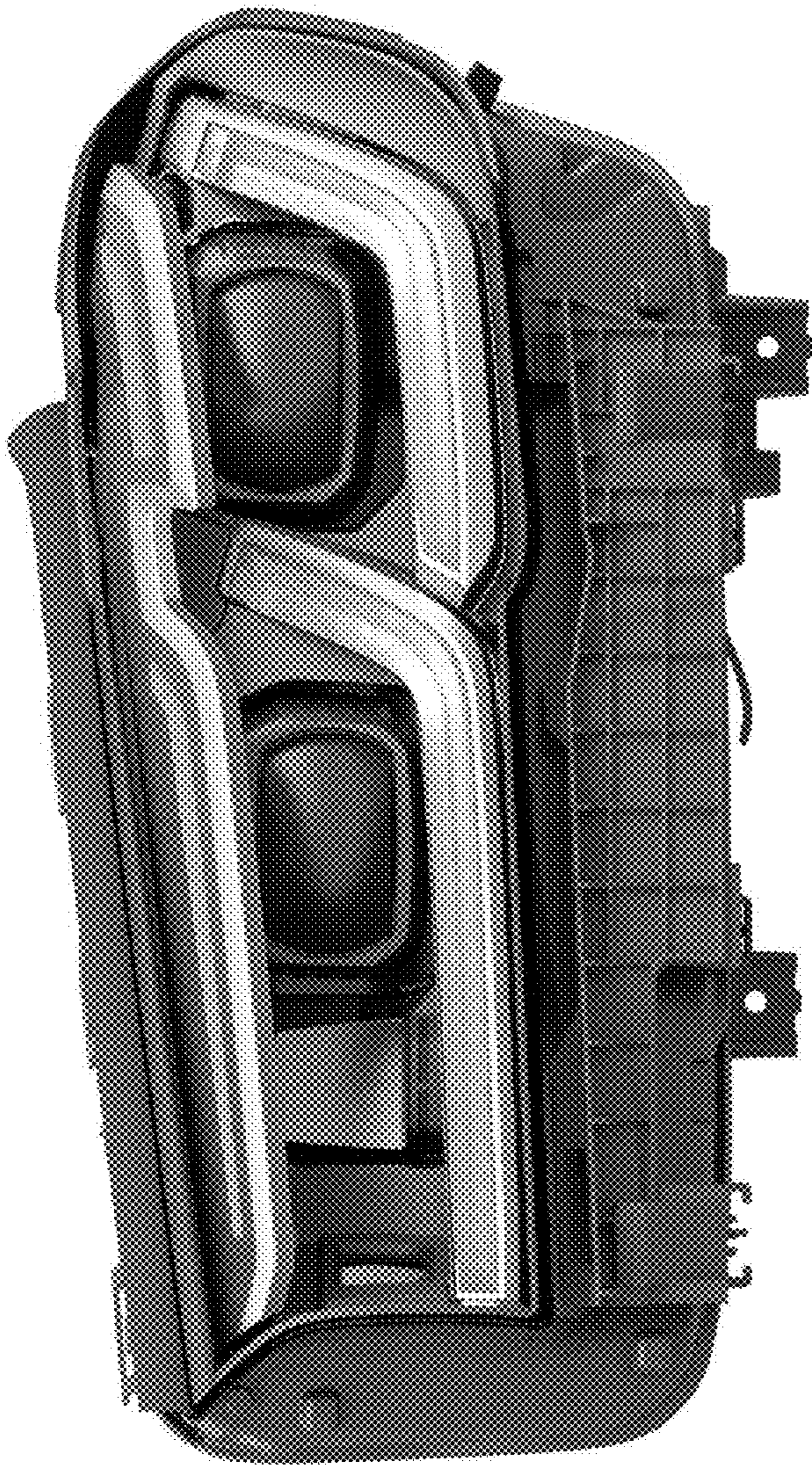


Fig. 1

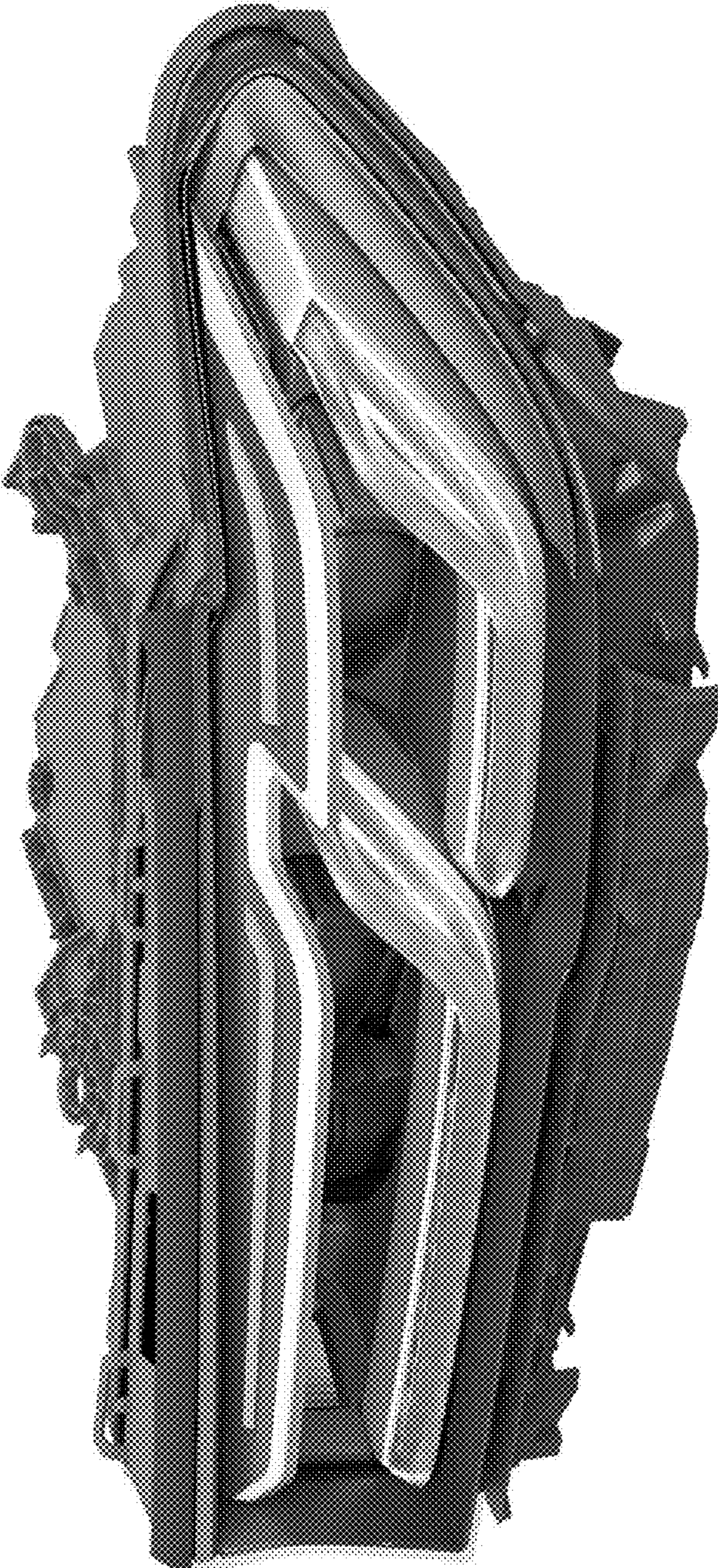


Fig. 2



Fig. 3

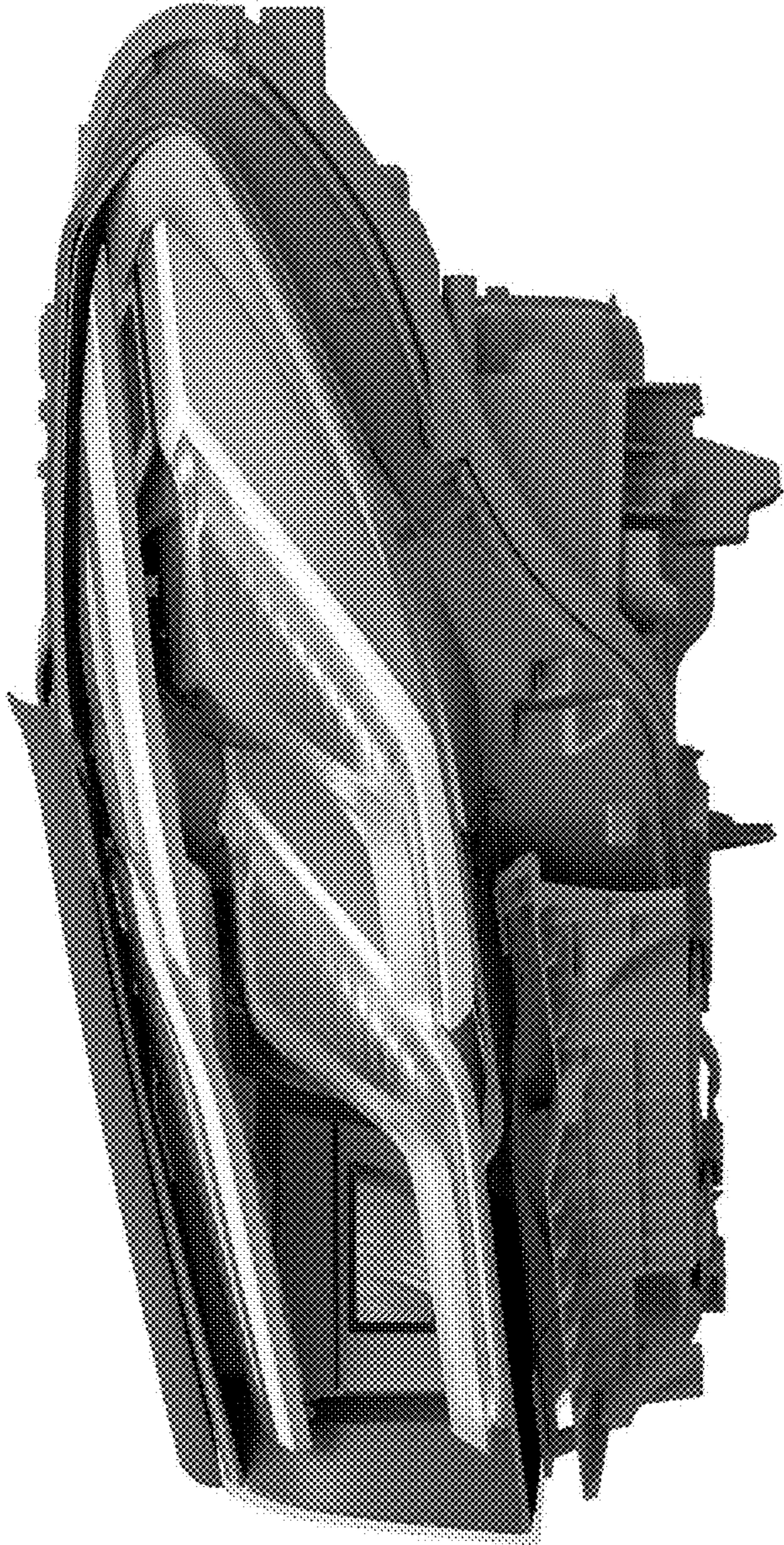


Fig. 4

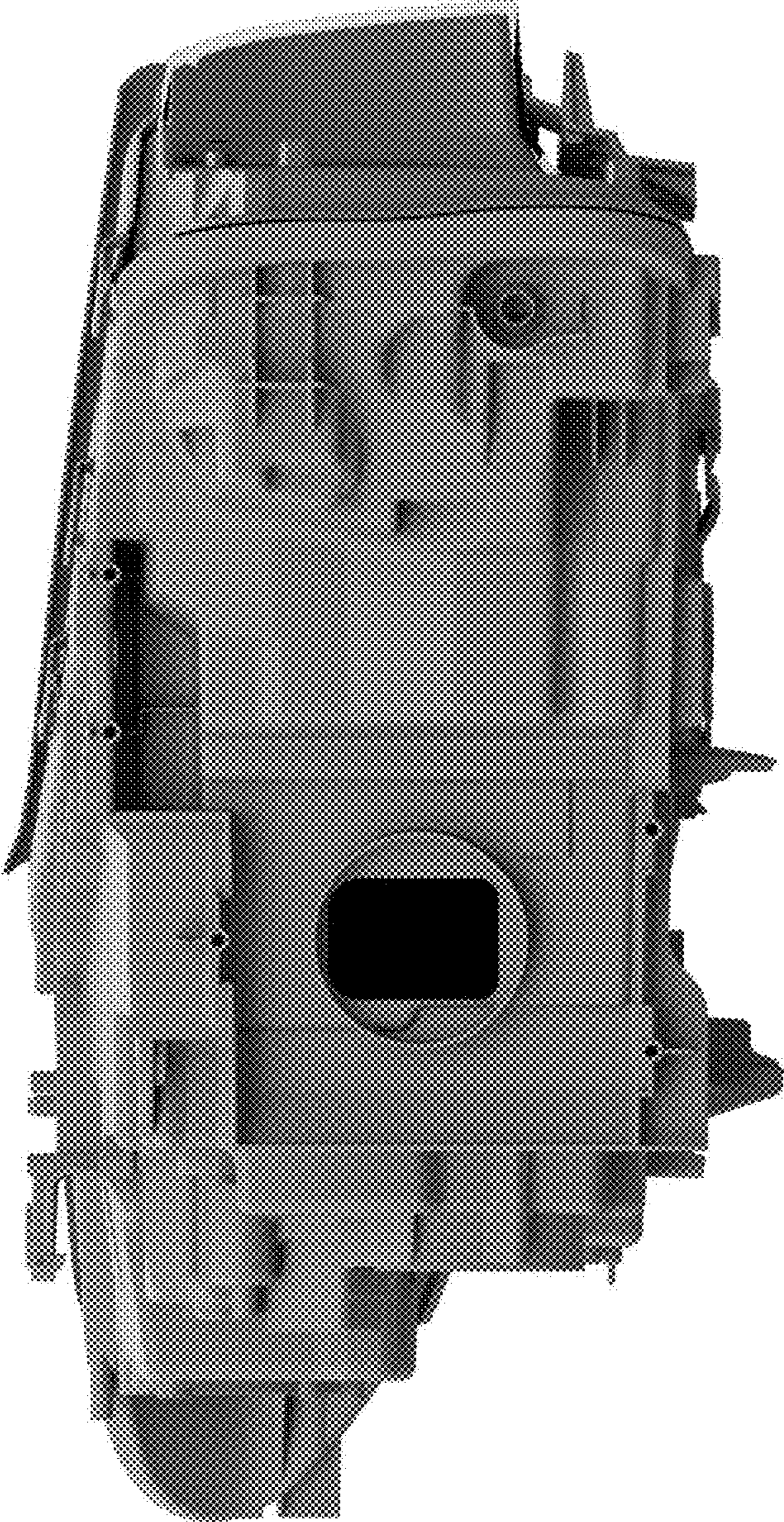


Fig. 5

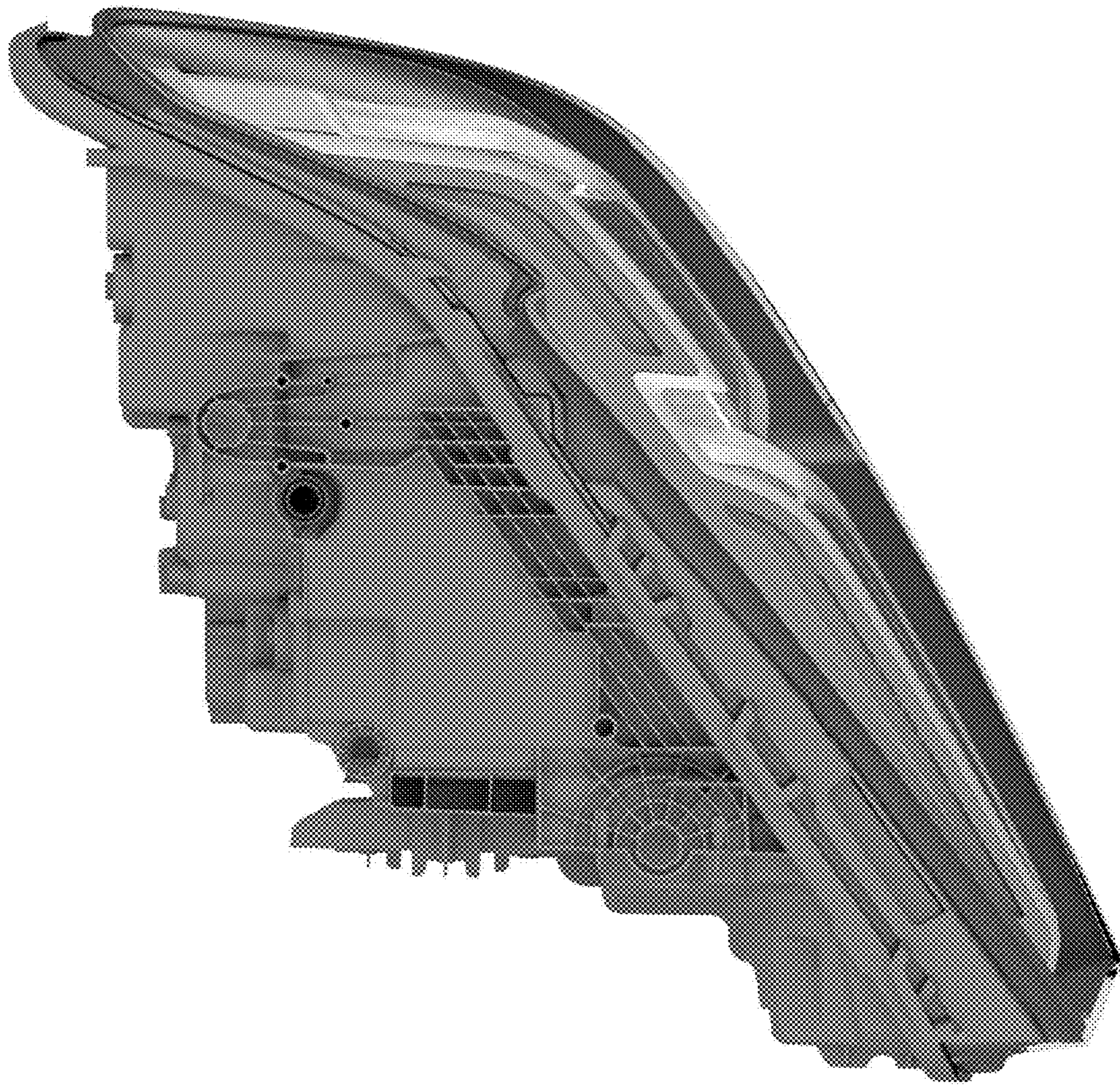


Fig. 6

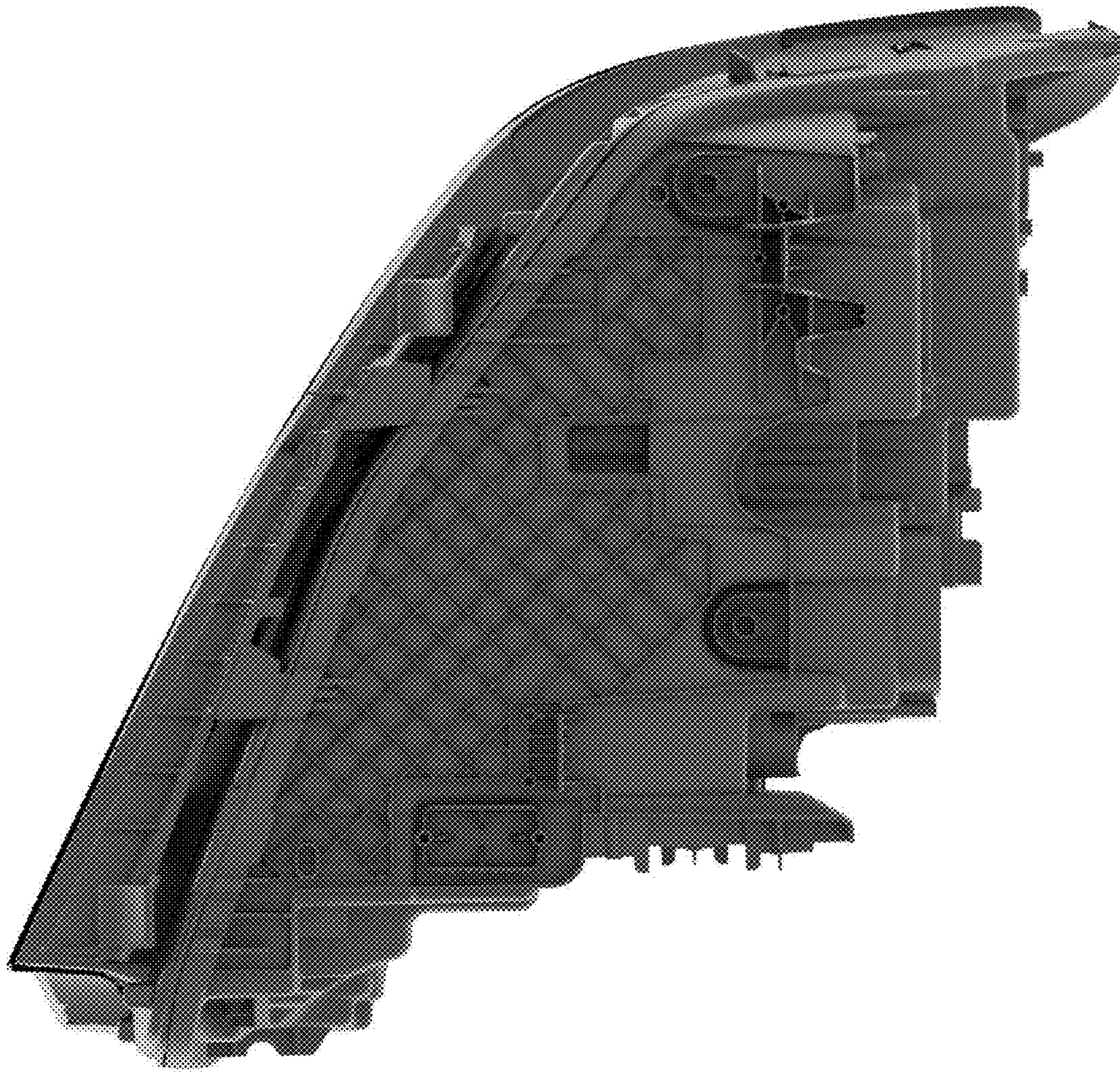


Fig. 7



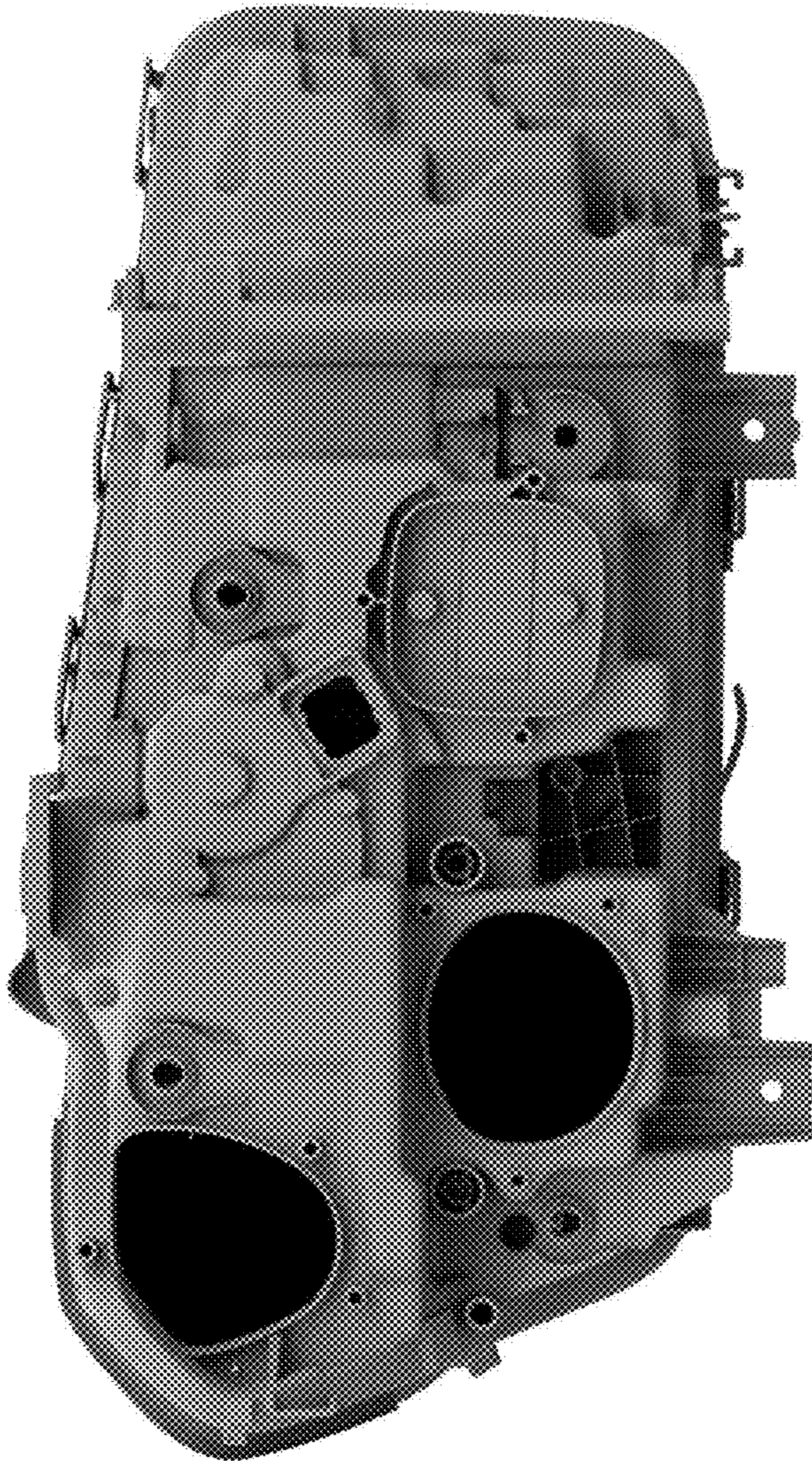


Fig. 8