



US00D939110S

(12) **United States Design Patent**
Kikuchi

(10) **Patent No.:** **US D939,110 S**

(45) **Date of Patent:** **** Dec. 21, 2021**

(54) **FRONT COMBINATION LAMP FOR AN AUTOMOBILE**

(71) Applicant: **Subaru Corporation**, Tokyo (JP)

(72) Inventor: **Kouta Kikuchi**, Tokyo (JP)

(73) Assignee: **Subaru Corporation**, Tokyo (JP)

(**) Term: **15 Years**

(21) Appl. No.: **29/727,805**

(22) Filed: **Mar. 13, 2020**

(30) **Foreign Application Priority Data**

Sep. 13, 2019 (JP) 2019-020561

(51) **LOC (13) Cl.** **26-06**

(52) **U.S. Cl.**
USPC **D26/28**

(58) **Field of Classification Search**
USPC D26/28, 29, 30, 31, 32, 33, 34, 35, 36,
D26/44

CPC F21S 48/00; F21S 48/10; F21S 48/115;
F21S 48/225; F21S 48/1233; F21S
48/1266; F21S 48/1388; F21S 48/2268;
F21V 21/04; F21W 2103/35; F21W 3/40;
F21W 2102/17; F21W 2102/30; F21W
2103/00; F21W 2103/55; F21W 2104/00;
F21W 2107/17; F21W 2107/13

See application file for complete search history.

(56) **References Cited**

U.S. PATENT DOCUMENTS

D707,866 S * 6/2014 Yoshida D26/28
D748,301 S * 1/2016 Sperling D26/28

D758,626 S * 6/2016 Sperling D26/28
D759,273 S * 6/2016 Ogihara D26/28
D807,544 S * 1/2018 Yoshida D26/28
D842,505 S * 3/2019 Kim D26/28
D842,509 S * 3/2019 Yoon D26/28
D842,512 S * 3/2019 Kang D26/28
D843,034 S * 3/2019 Kim D26/28
D846,778 S * 4/2019 Hwang D26/28
D908,257 S * 1/2021 Sato D26/28
D910,892 S * 2/2021 Tanaka D26/28
D912,287 S * 3/2021 Kang D26/28

* cited by examiner

Primary Examiner — Angela J Lee

(74) *Attorney, Agent, or Firm* — Schiff Hardin LLP

(57) **CLAIM**

I claim the ornamental design for a front combination lamp for an automobile, as shown and described.

DESCRIPTION

FIG. 1 is a front perspective view for a “front combination lamp for an automobile” showing our new design, FIG. 2 is a rear perspective view thereof, FIG. 3 is a front view thereof, FIG. 4 is a rear view thereof, FIG. 5 is a top view thereof, FIG. 6 is a bottom view thereof, FIG. 7 is a left-side view thereof; and, FIG. 8 is a right-side view thereof.

1 Claim, 5 Drawing Sheets

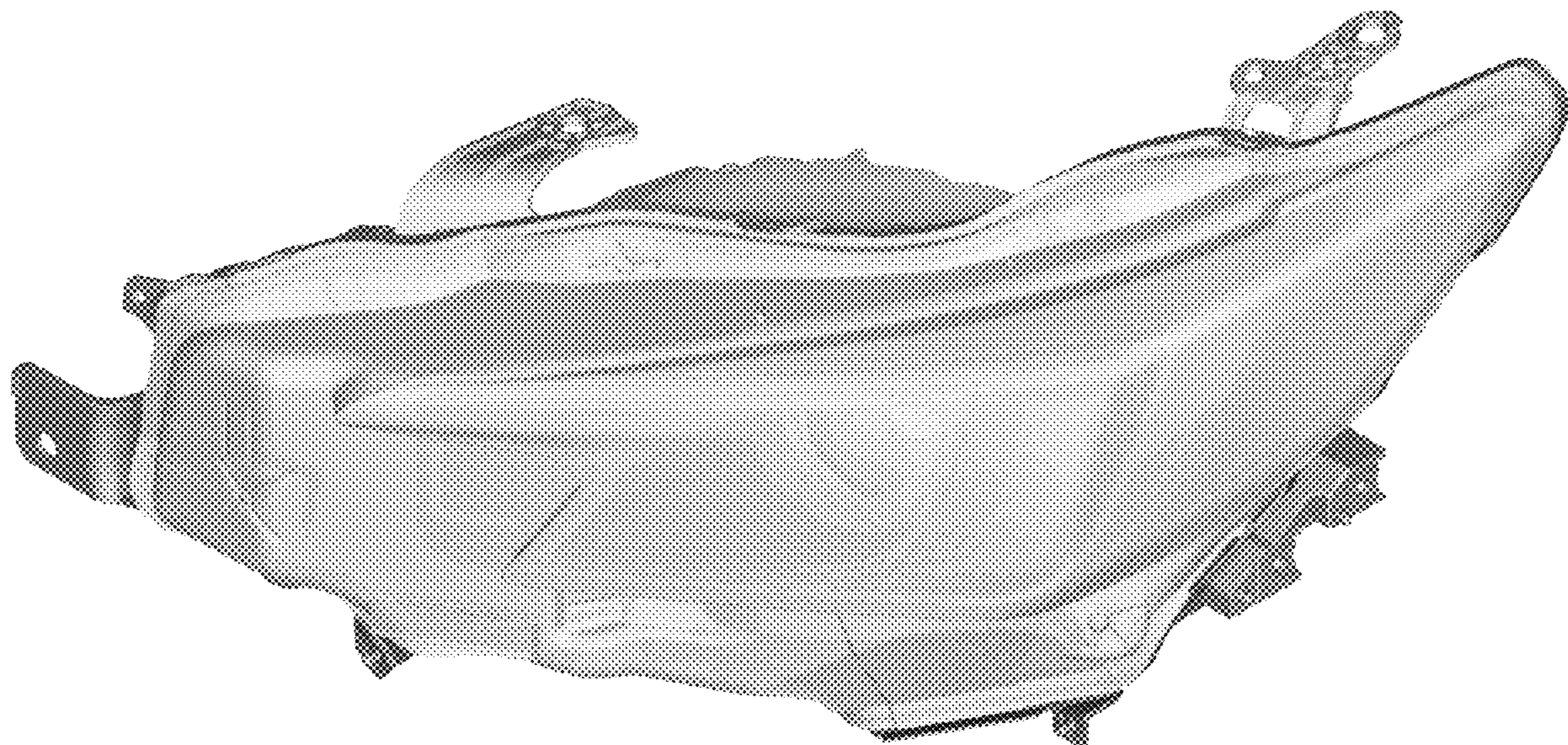


Fig. 1

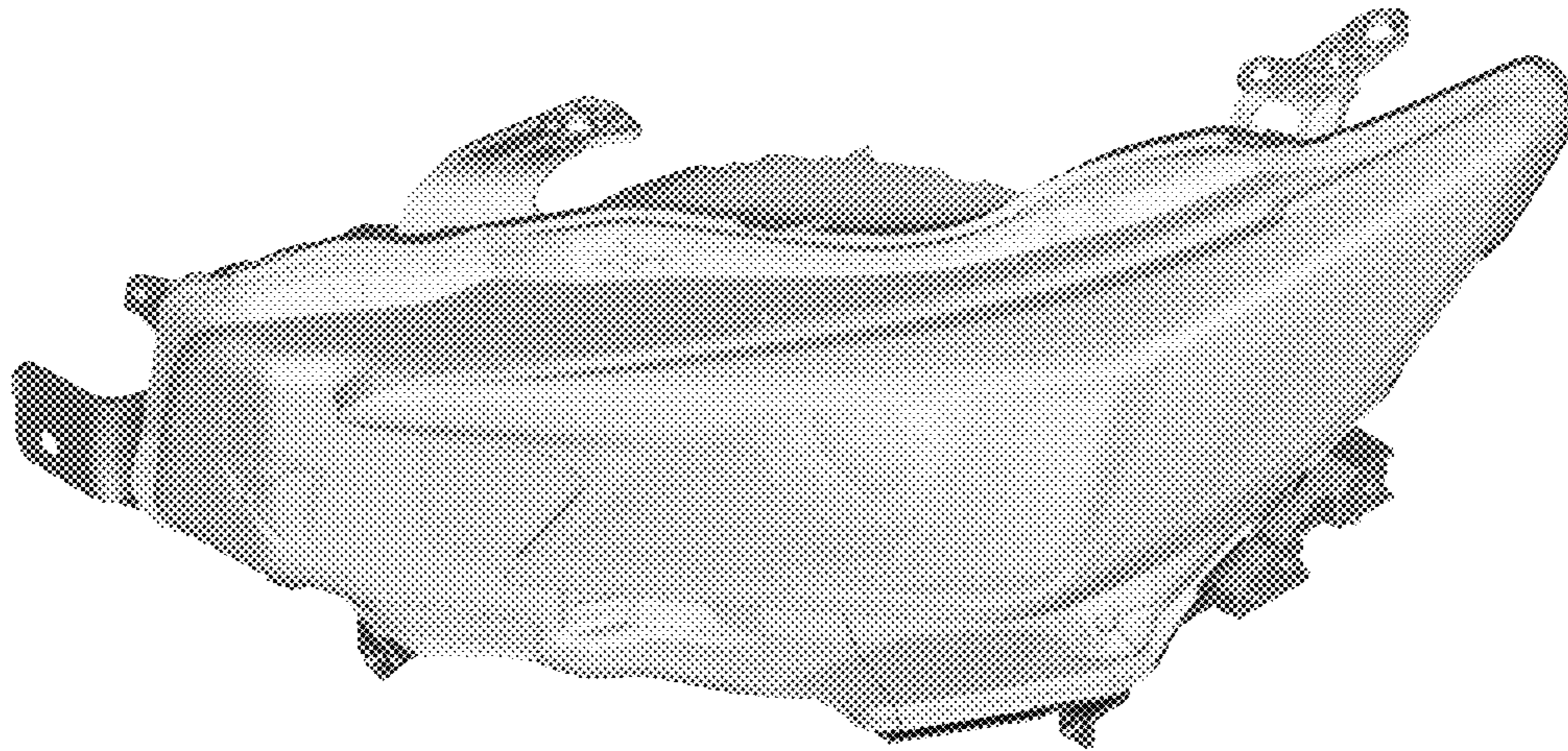


Fig. 2

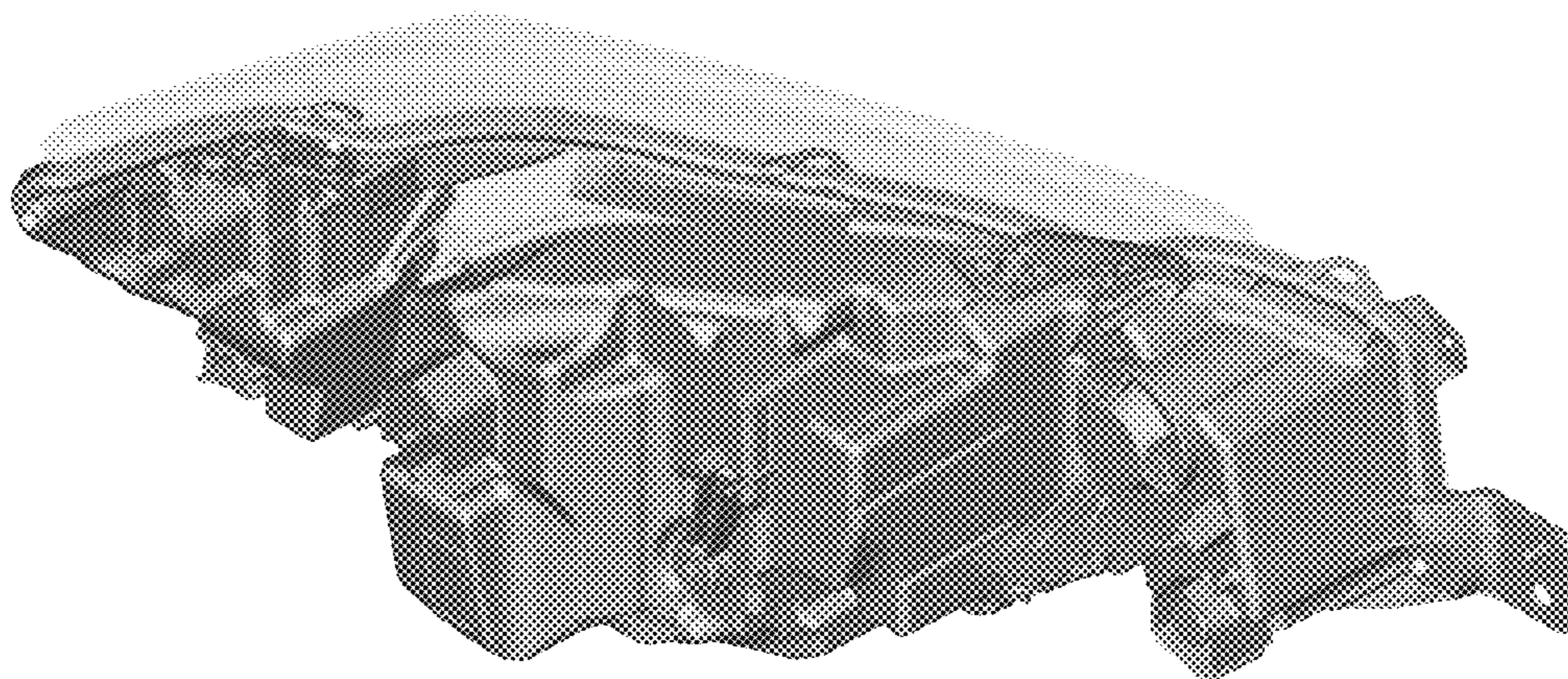


Fig. 3

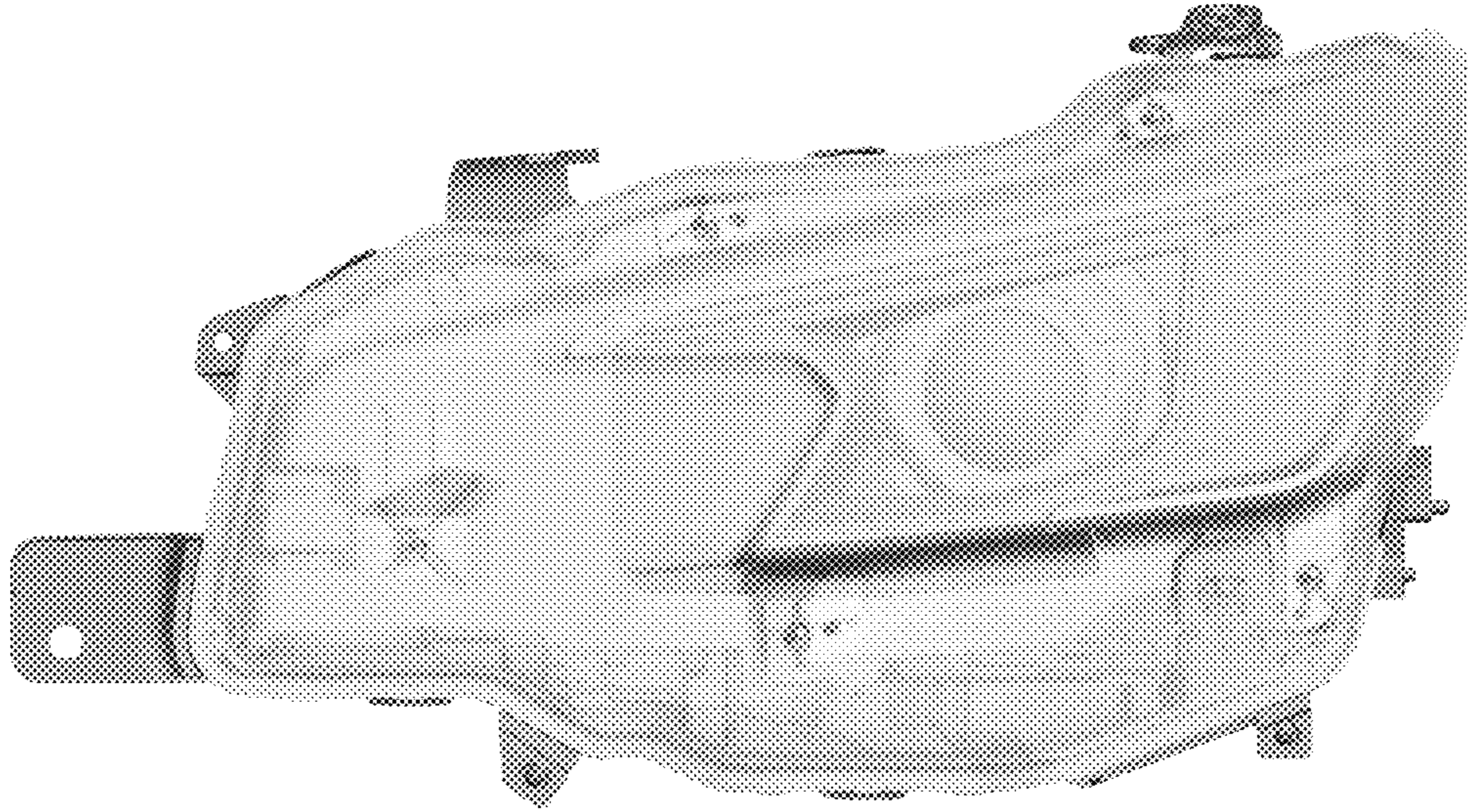


Fig. 4

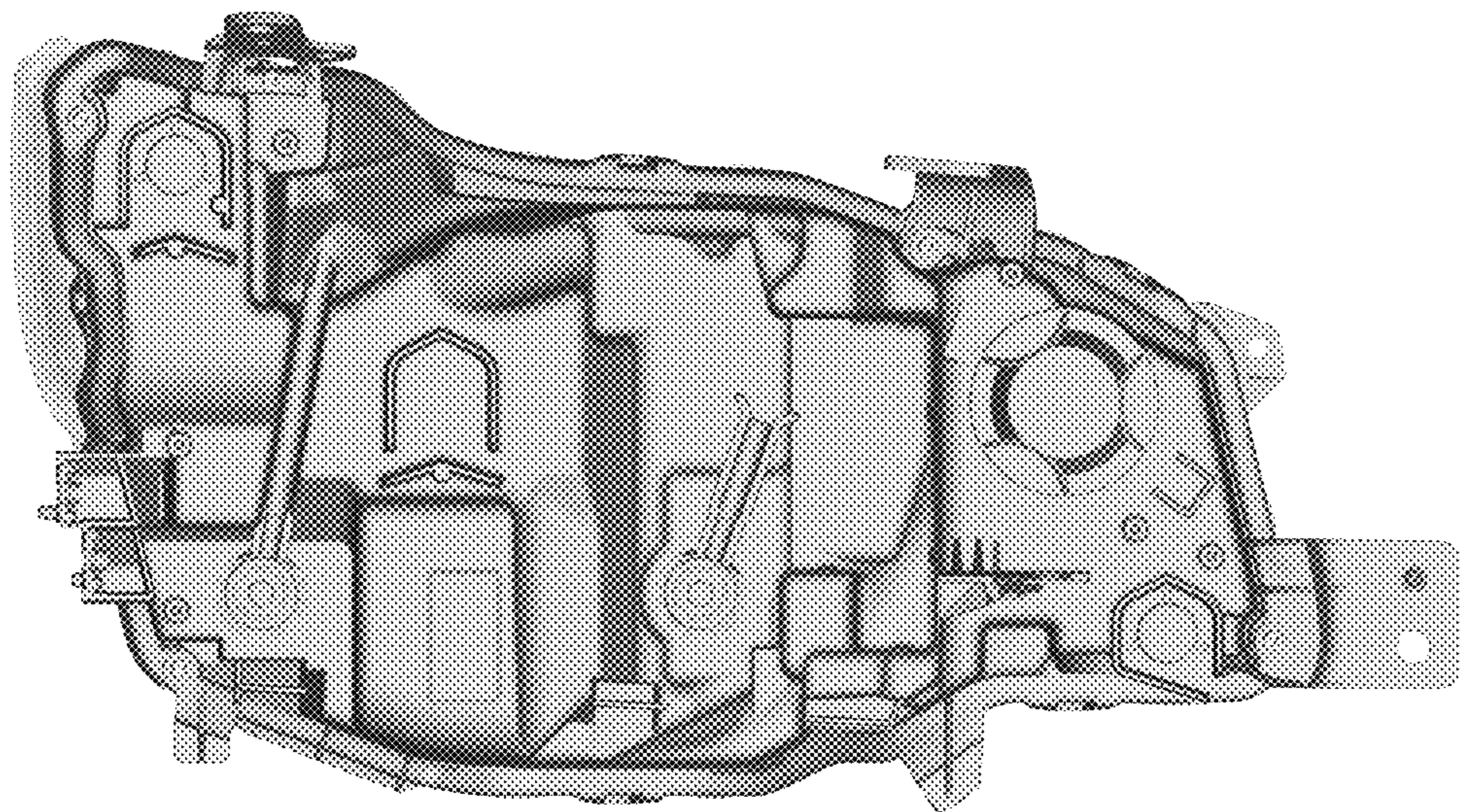


Fig. 5

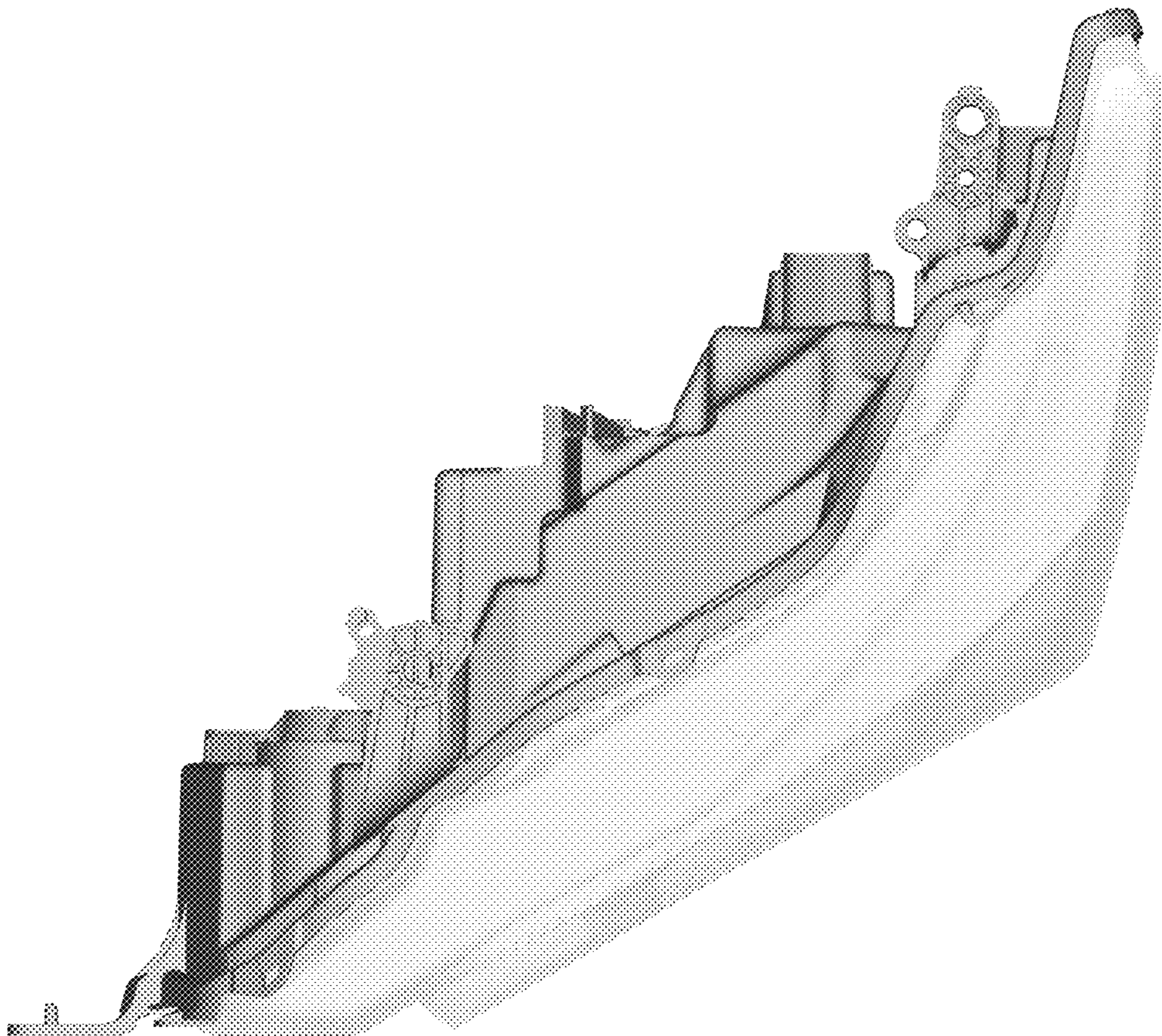


Fig. 6

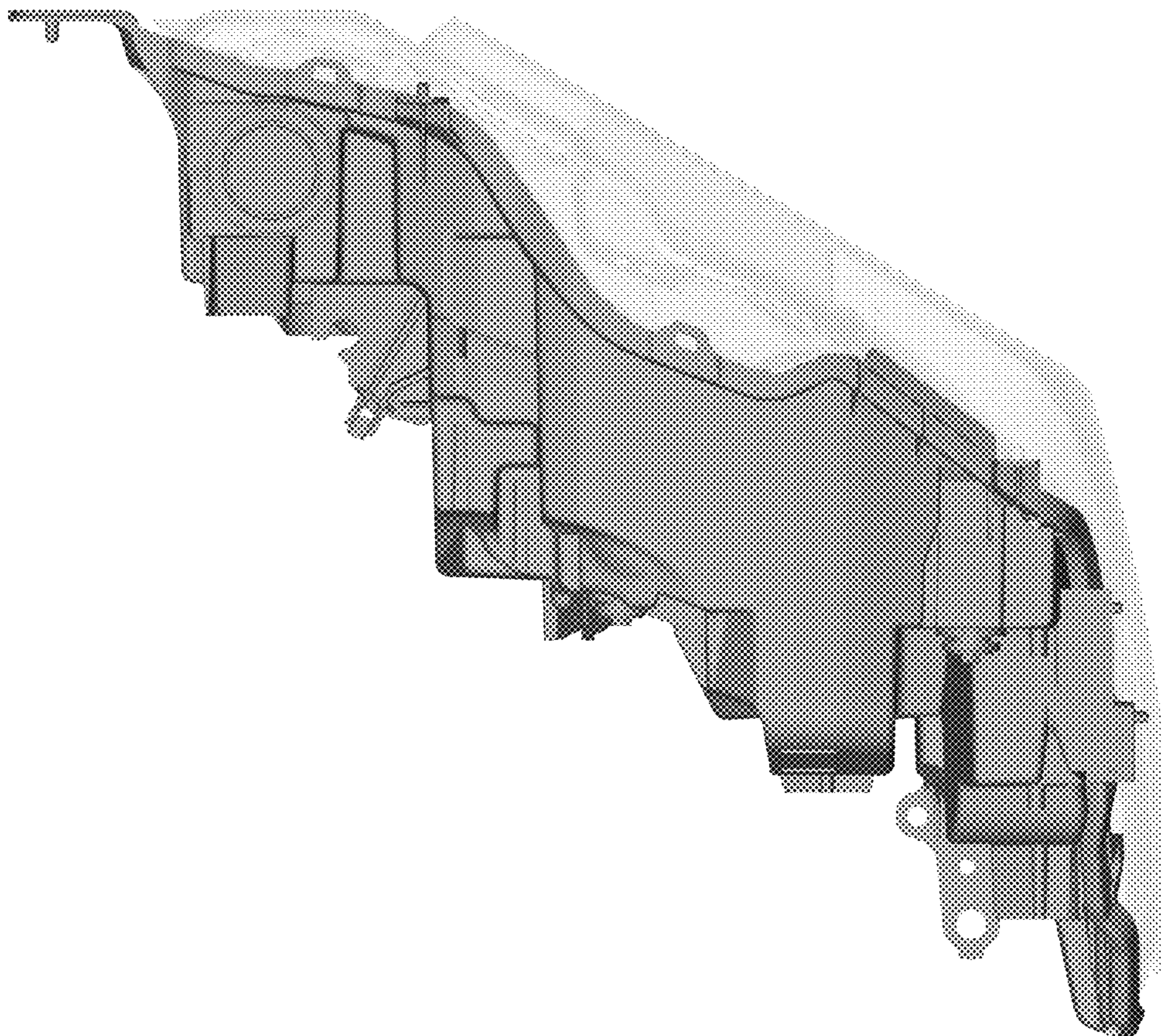


Fig. 7

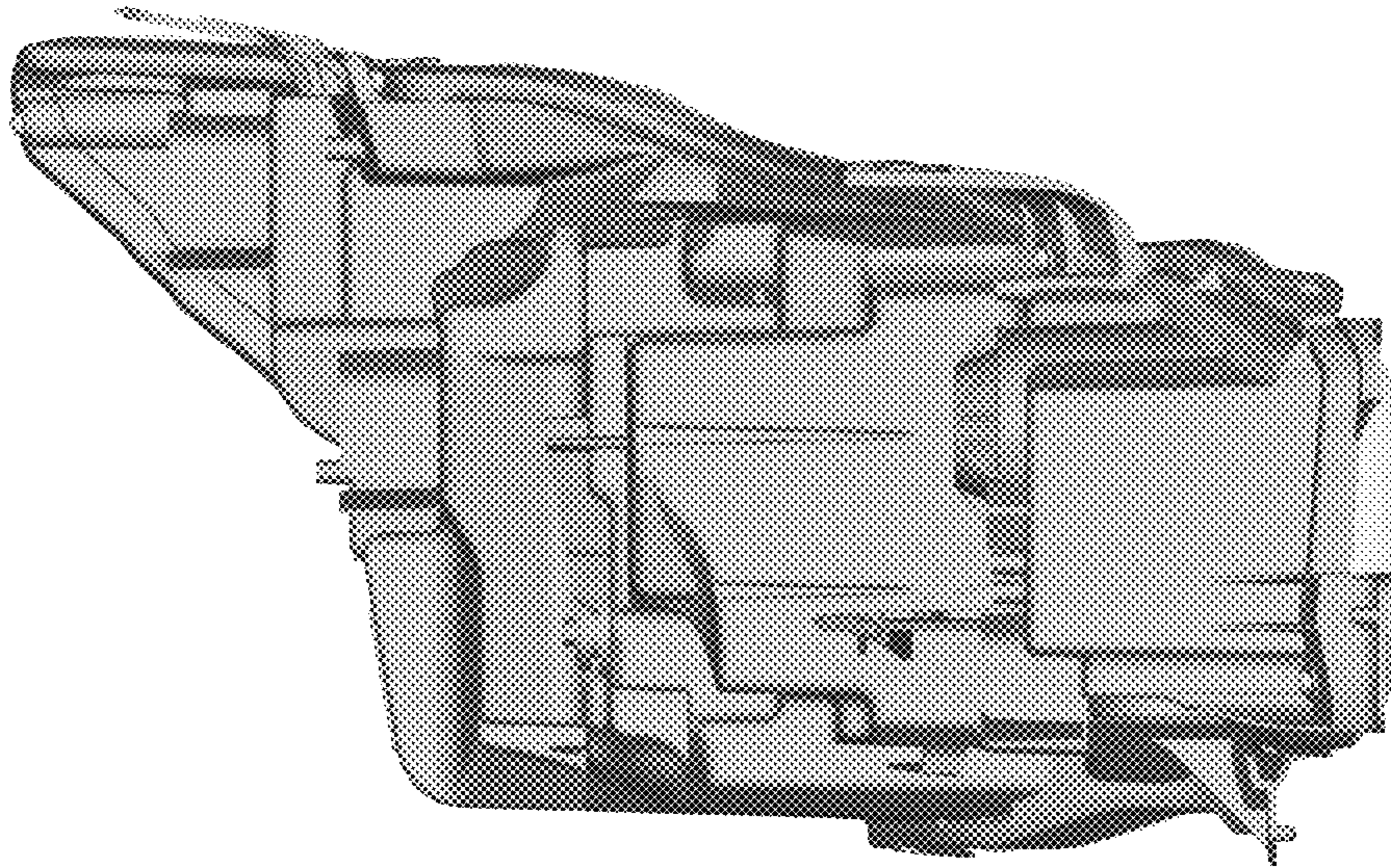


Fig. 8

