



US00D939109S

(12) **United States Design Patent**
Ko

(10) **Patent No.:** **US D939,109 S**

(45) **Date of Patent:** **** Dec. 21, 2021**

(54) **LAMP FOR A VEHICLE**

(71) Applicants: **VISION X ASIA CO., LTD.**,
Hwaseong-si (KR); **In Hong Ko**, Seoul
(KR)

(72) Inventor: **In Hong Ko**, Seoul (KR)

(73) Assignee: **VISION X ASIA CO., LTD.**,
Hwaseong-si (KR)

(**) Term: **15 Years**

(21) Appl. No.: **29/713,439**

(22) Filed: **Nov. 15, 2019**

(30) **Foreign Application Priority Data**

Sep. 23, 2019 (KR) 30-2019-0045342

(51) **LOC (13) Cl.** **26-06**

(52) **U.S. Cl.**
USPC **D26/28**

(58) **Field of Classification Search**
USPC D26/28-36, 139
CPC F21S 48/00; F21S 48/10; F21S 48/115;
F21S 48/225; F21S 48/1233; F21S
48/1266; F21S 48/1388; F21S 48/2268;
F21V 21/04; F21V 29/004; B60Q 9/13;
B60Q 9/135; B60Q 9/1375

See application file for complete search history.

(56) **References Cited**

U.S. PATENT DOCUMENTS

D601,732 S *	10/2009	Han	D26/28
D684,710 S *	6/2013	Chen	D26/28
D723,723 S *	3/2015	Goto	D26/28
D745,717 S *	12/2015	Wu	D26/28
D765,281 S *	8/2016	Lai	D26/28
D780,966 S *	3/2017	Binder	D26/28
D790,742 S *	6/2017	Imai	D26/28

* cited by examiner

Primary Examiner — Marcus A Jackson

(74) *Attorney, Agent, or Firm* — Cantor Colburn LLP

(57) **CLAIM**

The ornamental design for a lamp for a vehicle, as shown and described.

DESCRIPTION

FIG. 1 is a front, top and right side perspective view of a lamp for a vehicle showing my new design; FIG. 2 is a rear, top and left side perspective view thereof; FIG. 3 is a front elevational view thereof; FIG. 4 is a rear elevational view thereof; FIG. 5 is a left side elevational view thereof; FIG. 6 is a right side elevational view thereof; FIG. 7 is a top plan view thereof; and, FIG. 8 is a bottom plan view thereof.

The broken lines in the drawings are included for illustrative purposes only and form no part of the claimed design.

1 Claim, 5 Drawing Sheets

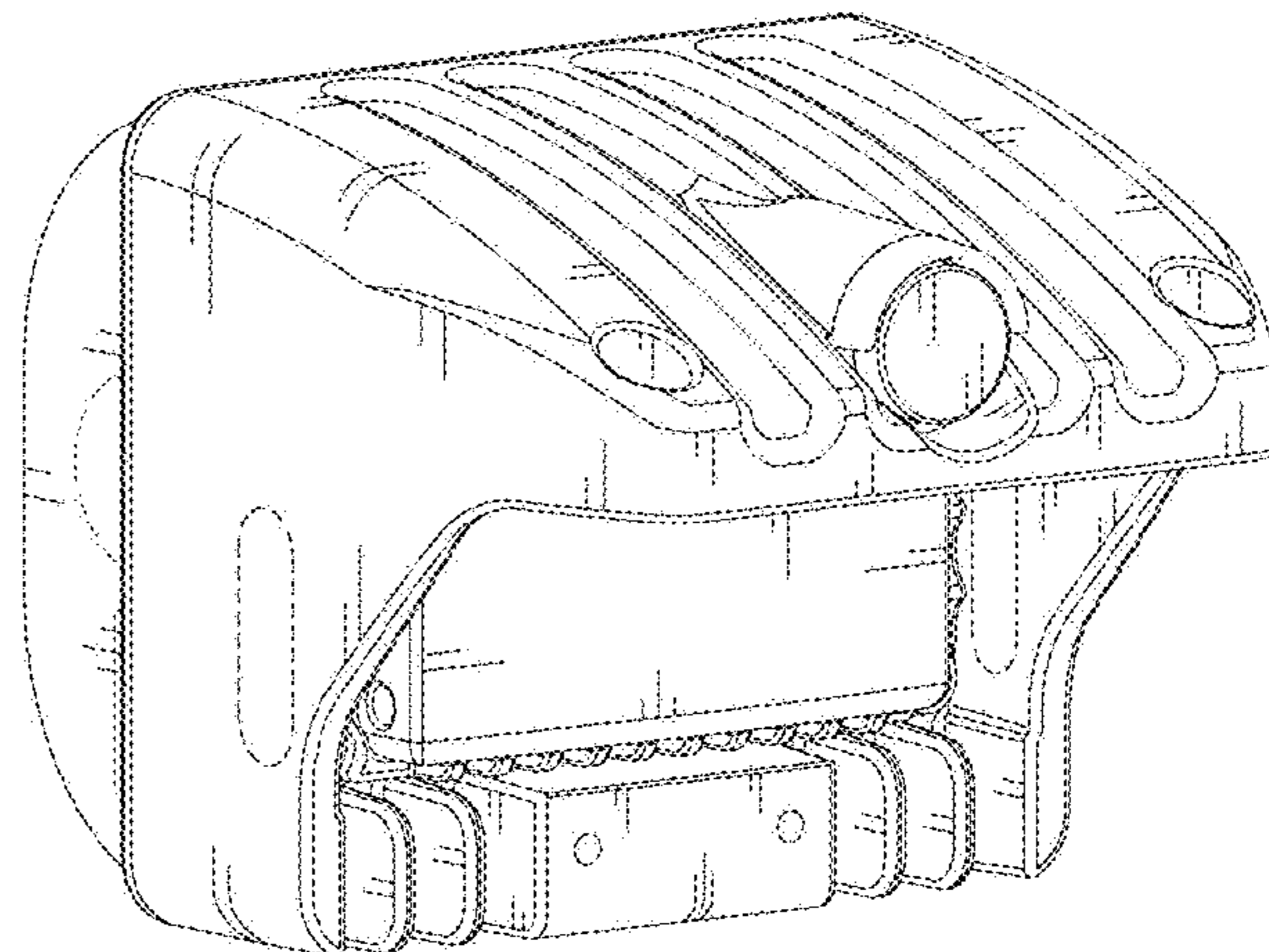
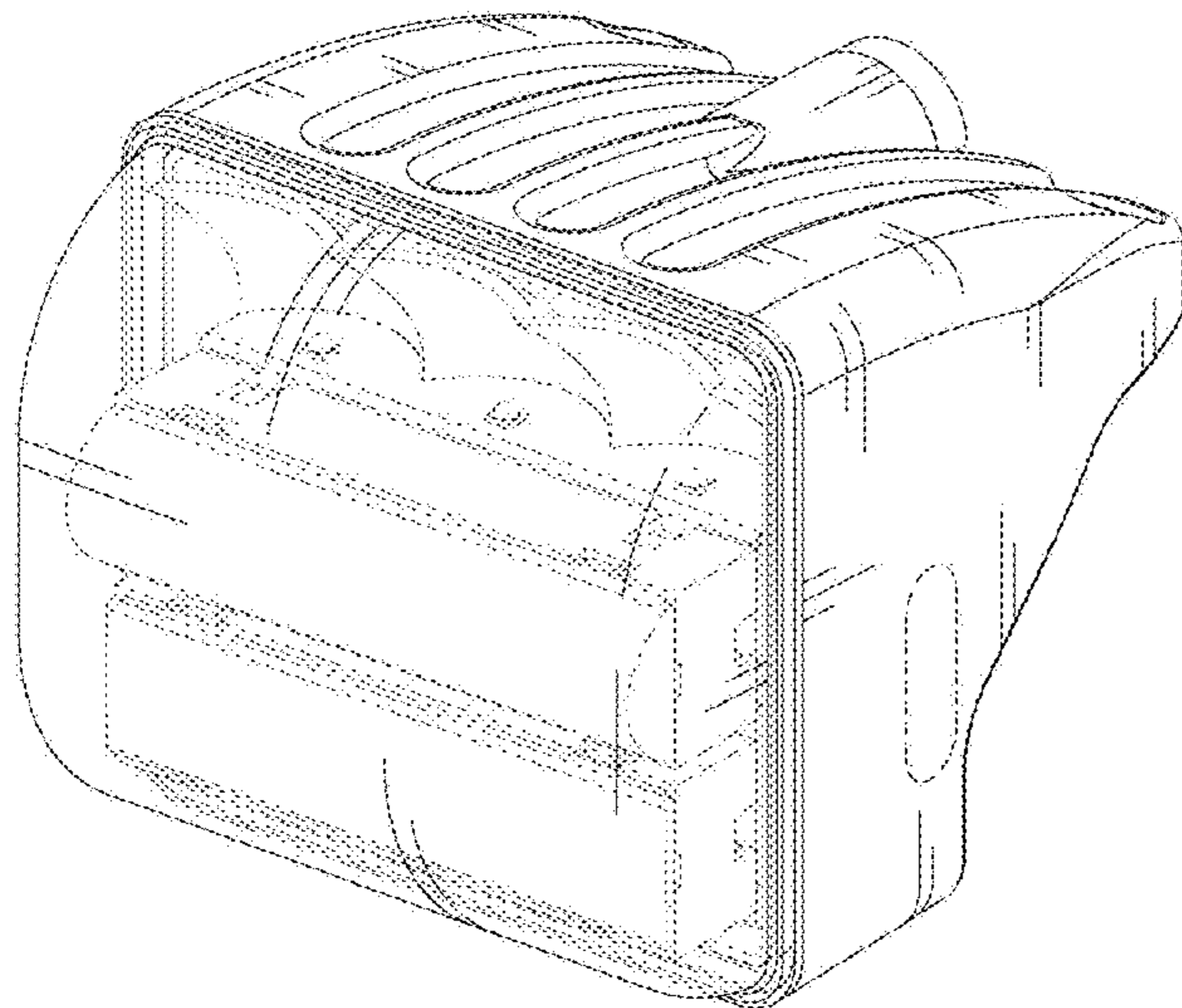


FIG. 1

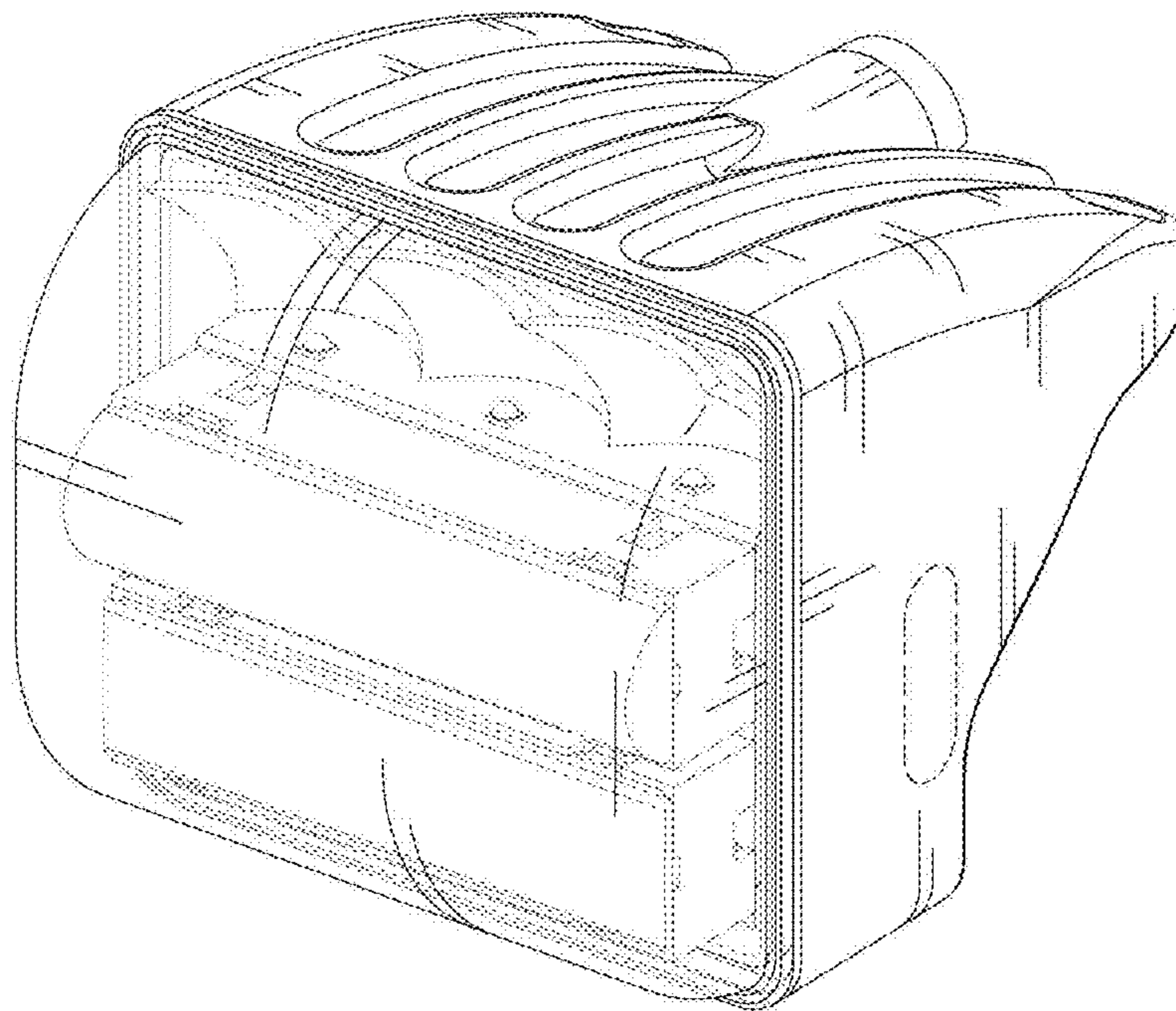


FIG. 2

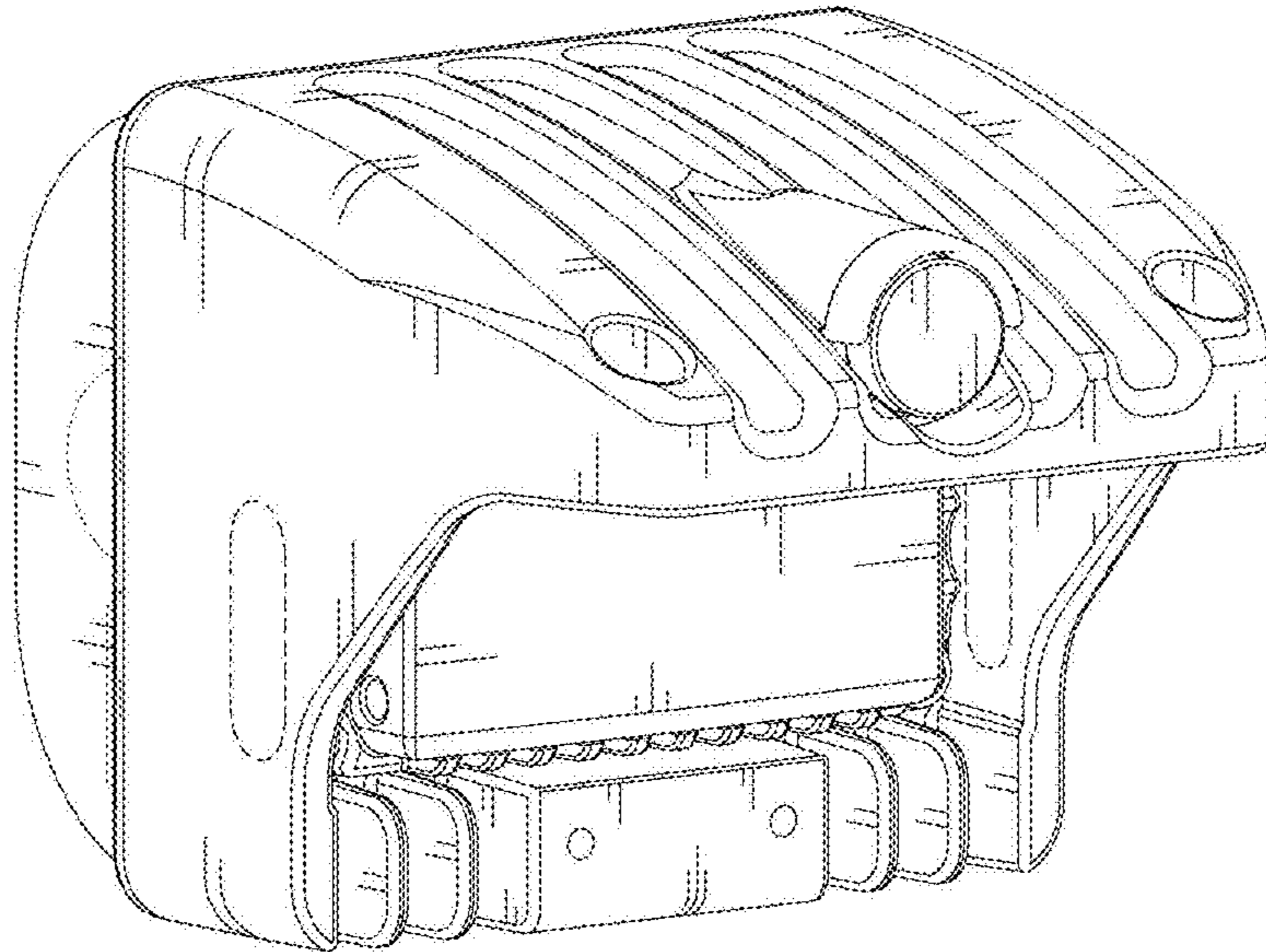


FIG. 3

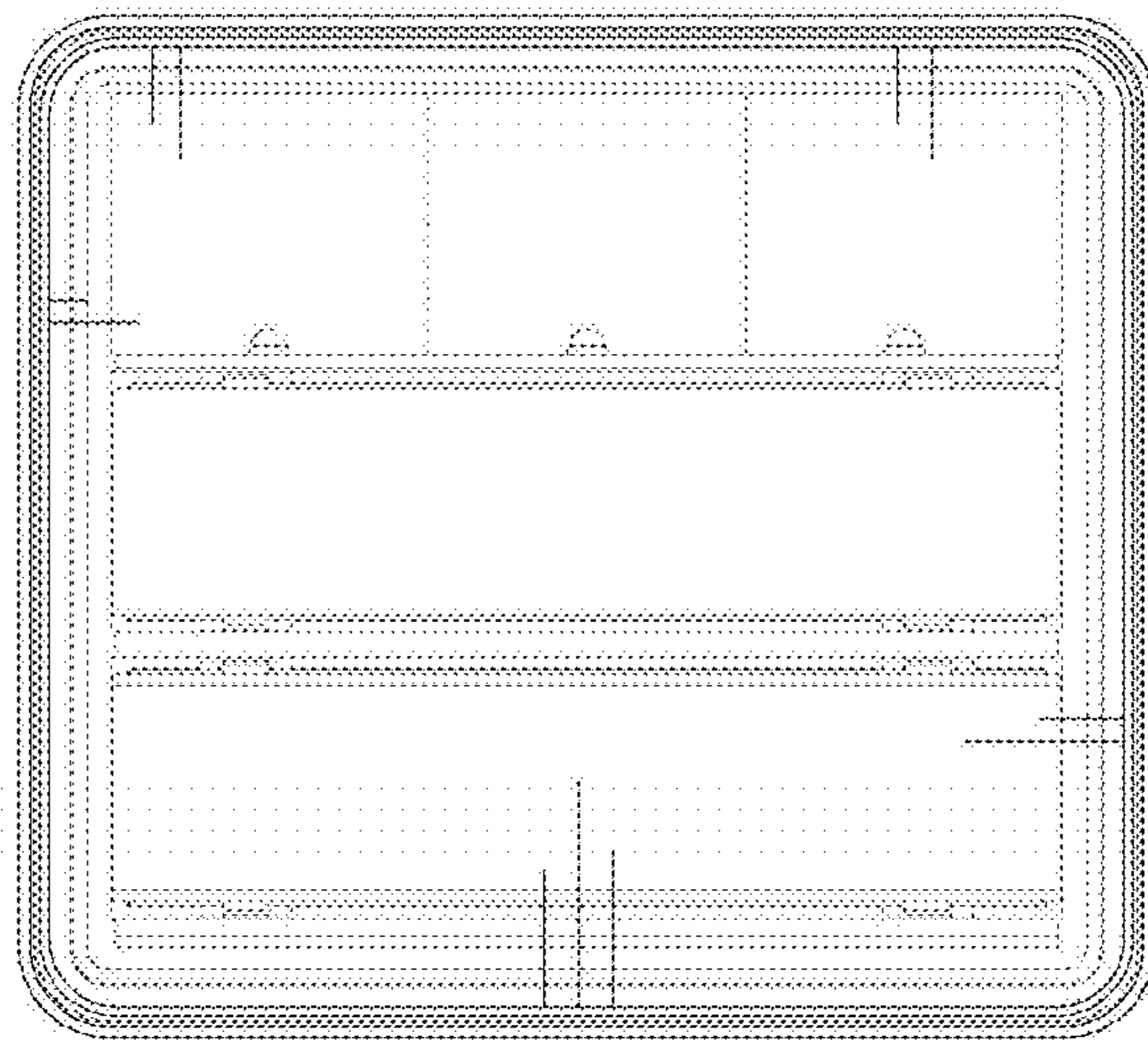


FIG. 4

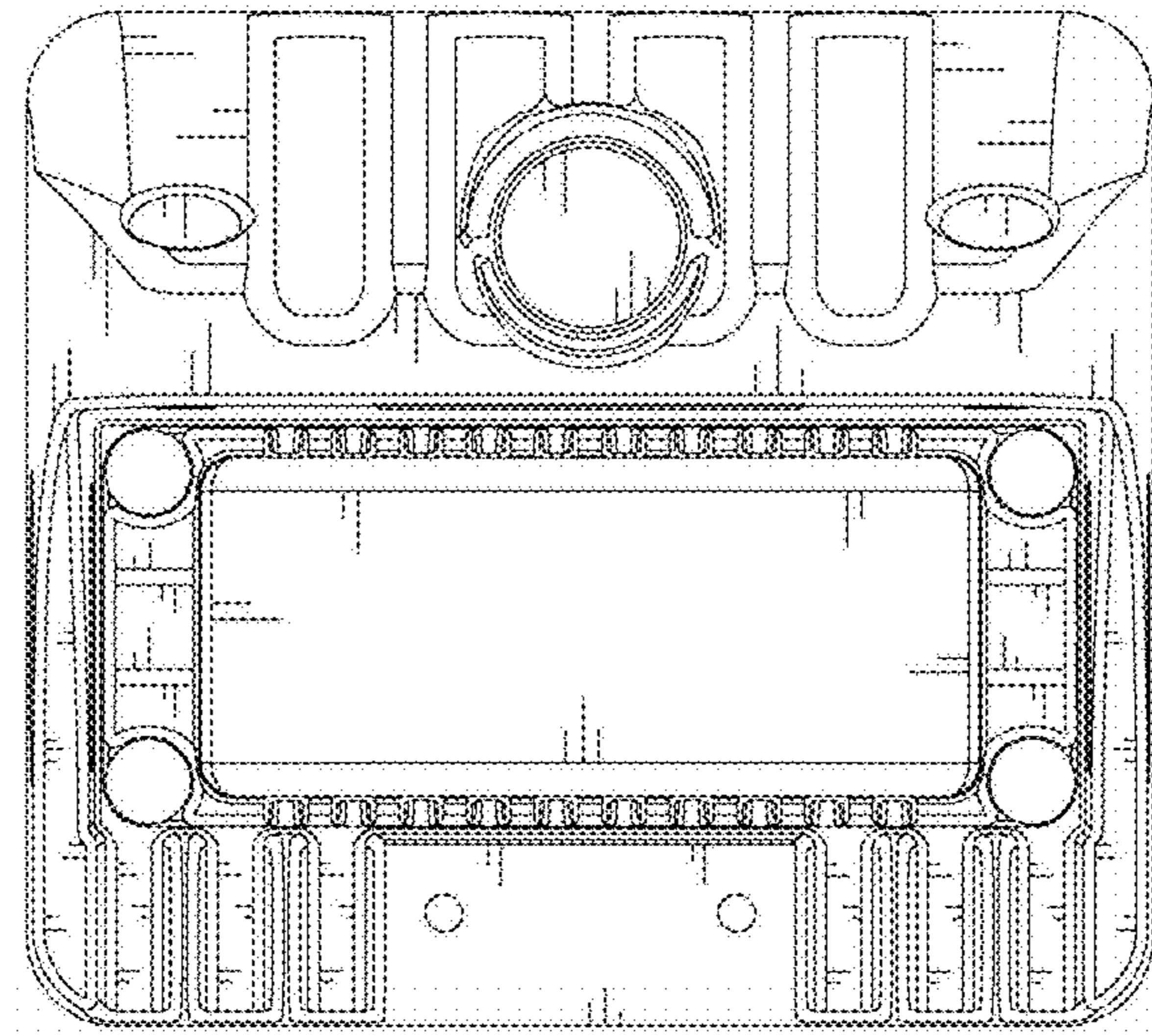


FIG. 5

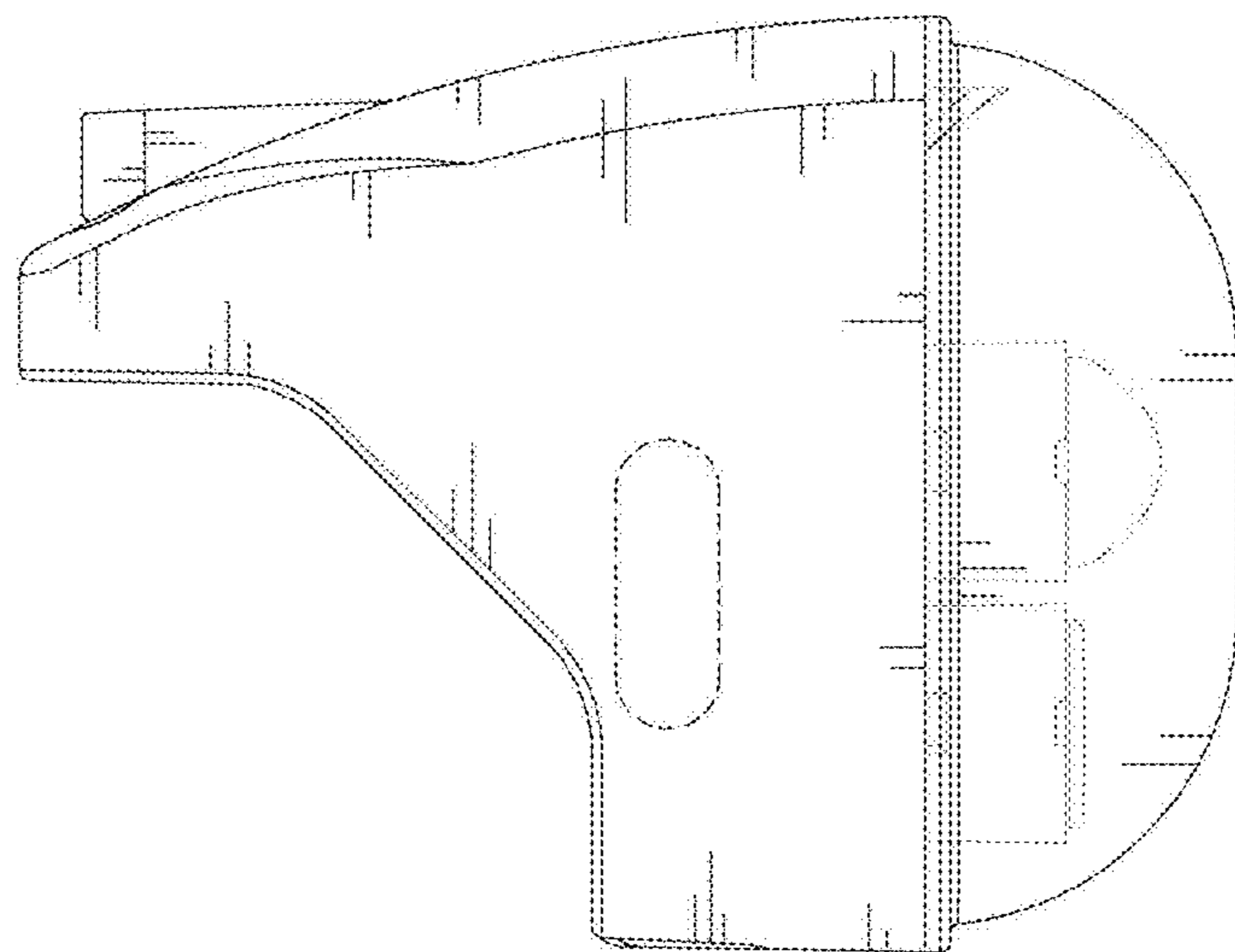


FIG. 6

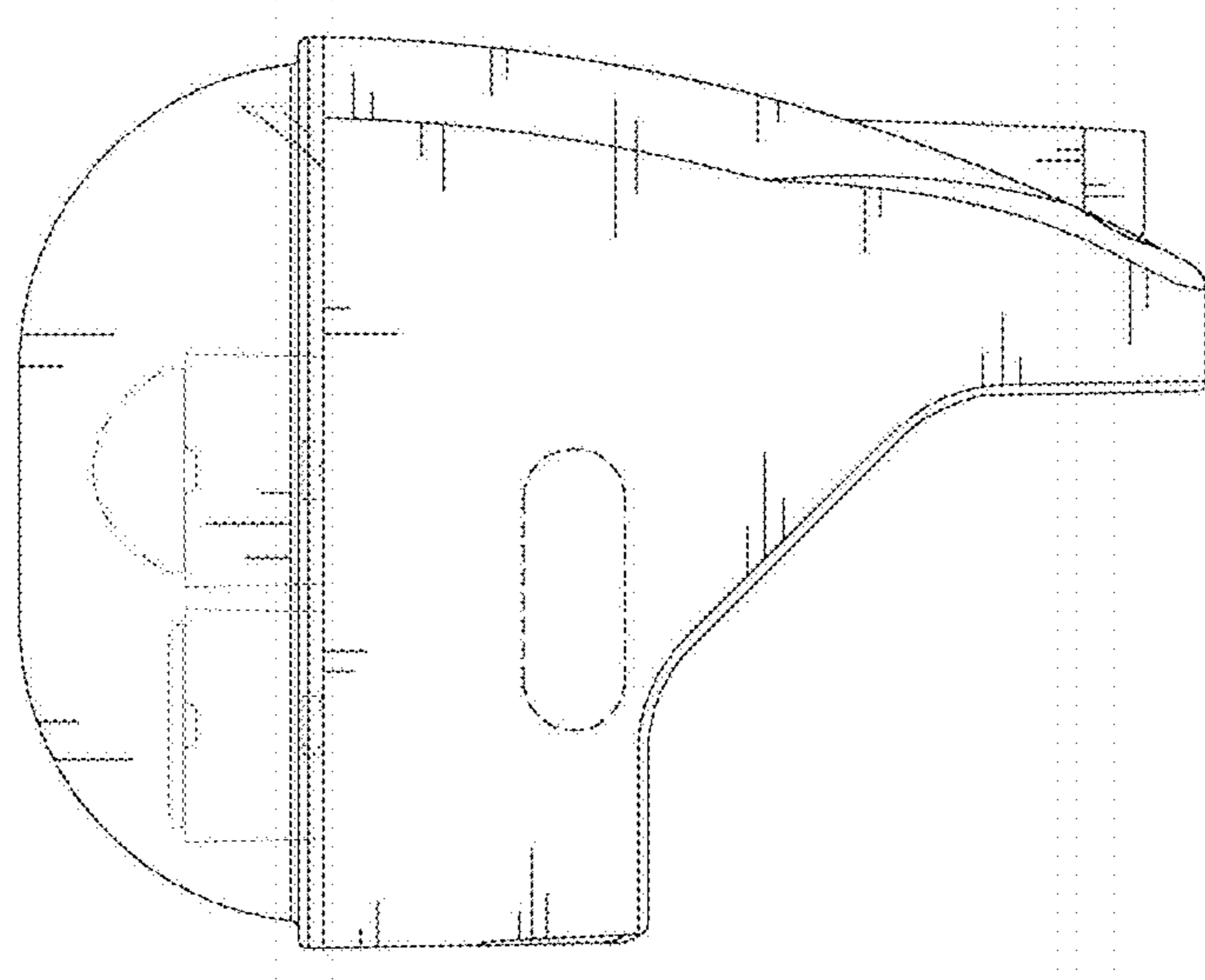


FIG. 7

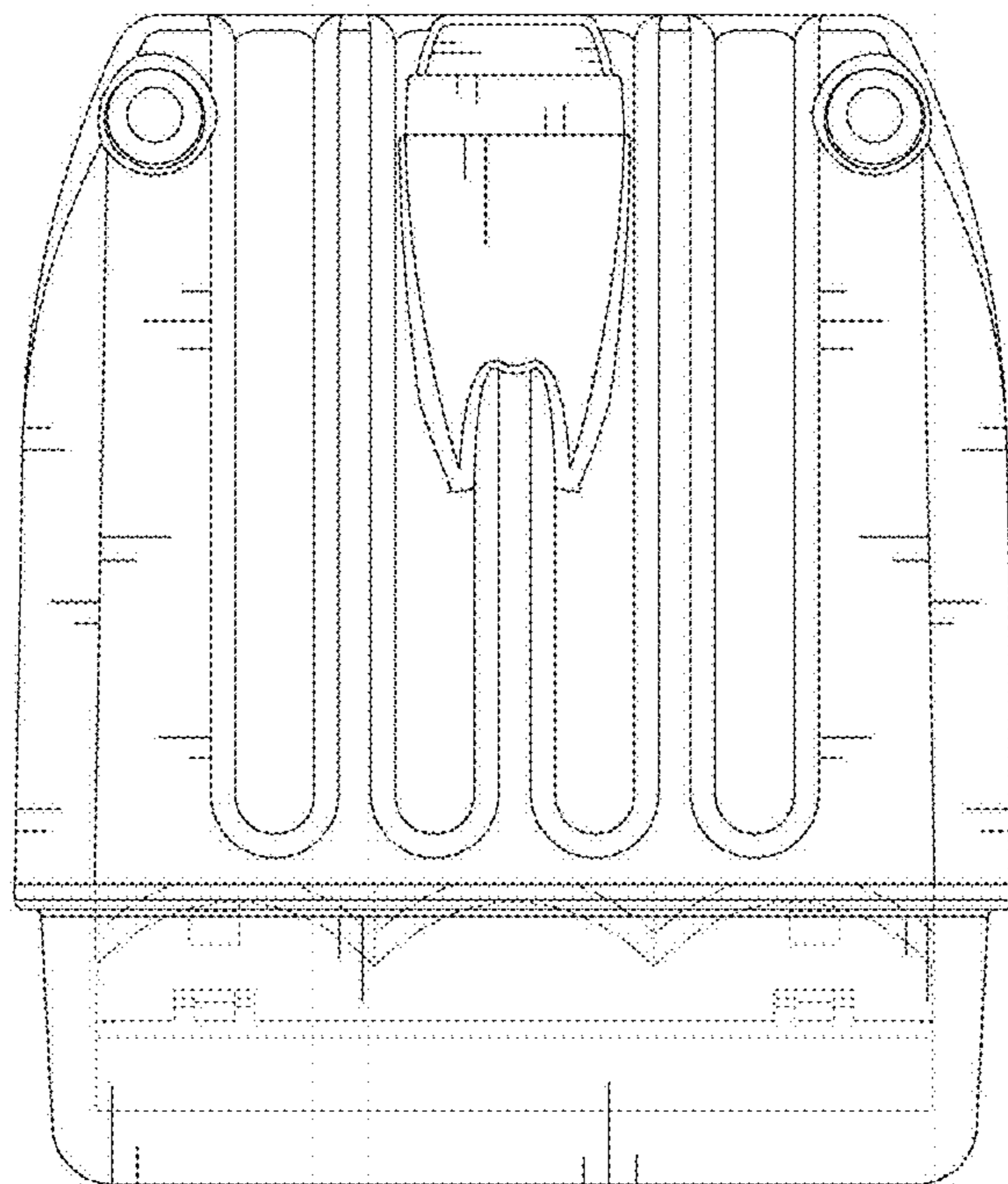


FIG. 8

