



US00D939108S

(12) **United States Design Patent** (10) **Patent No.:** **US D939,108 S**
Zhuo (45) **Date of Patent:** **** Dec. 21, 2021**

(54) **BULB LAMP**

(71) Applicant: **ZHONGSHAN YINGHAO SOLAR TECHNOLOGY CO., LTD.**,
Guangdong (CN)

(72) Inventor: **Qiang Zhuo**, Guangdong (CN)

(73) Assignee: **ZHONGSHAN YINGHAO SOLAR TECHNOLOGY CO., LTD.**,
Zhongshan (CN)

(**) Term: **15 Years**

(21) Appl. No.: **29/745,667**

(22) Filed: **Aug. 7, 2020**

(30) **Foreign Application Priority Data**

Jun. 15, 2020 (CN) 202030303173.7

(51) **LOC (13) Cl.** **26-04**

(52) **U.S. Cl.**
USPC **D26/2**

(58) **Field of Classification Search**
USPC D26/1-4
CPC H01R 5/00; H01R 13/46; H01R 13/514;
H01R 31/02; H01R 31/048; H01J 5/00;
H01J 5/16; H01J 1/02; H01J 15/00; H01J
5/48; H01J 5/50; H01J 19/54; F21V 5/00;
F21K 9/00; F21K 13/00

See application file for complete search history.

(56) **References Cited**

U.S. PATENT DOCUMENTS

D508,575 S * 8/2005 Buschmann D26/2
D626,667 S * 11/2010 Jonsson D26/2
D627,087 S * 11/2010 Jonsson D26/2
D645,993 S * 9/2011 Wang D26/2
D651,327 S * 12/2011 Hsiao D26/2
D676,983 S * 2/2013 Holland D26/2

* cited by examiner

Primary Examiner — Marcus A Jackson

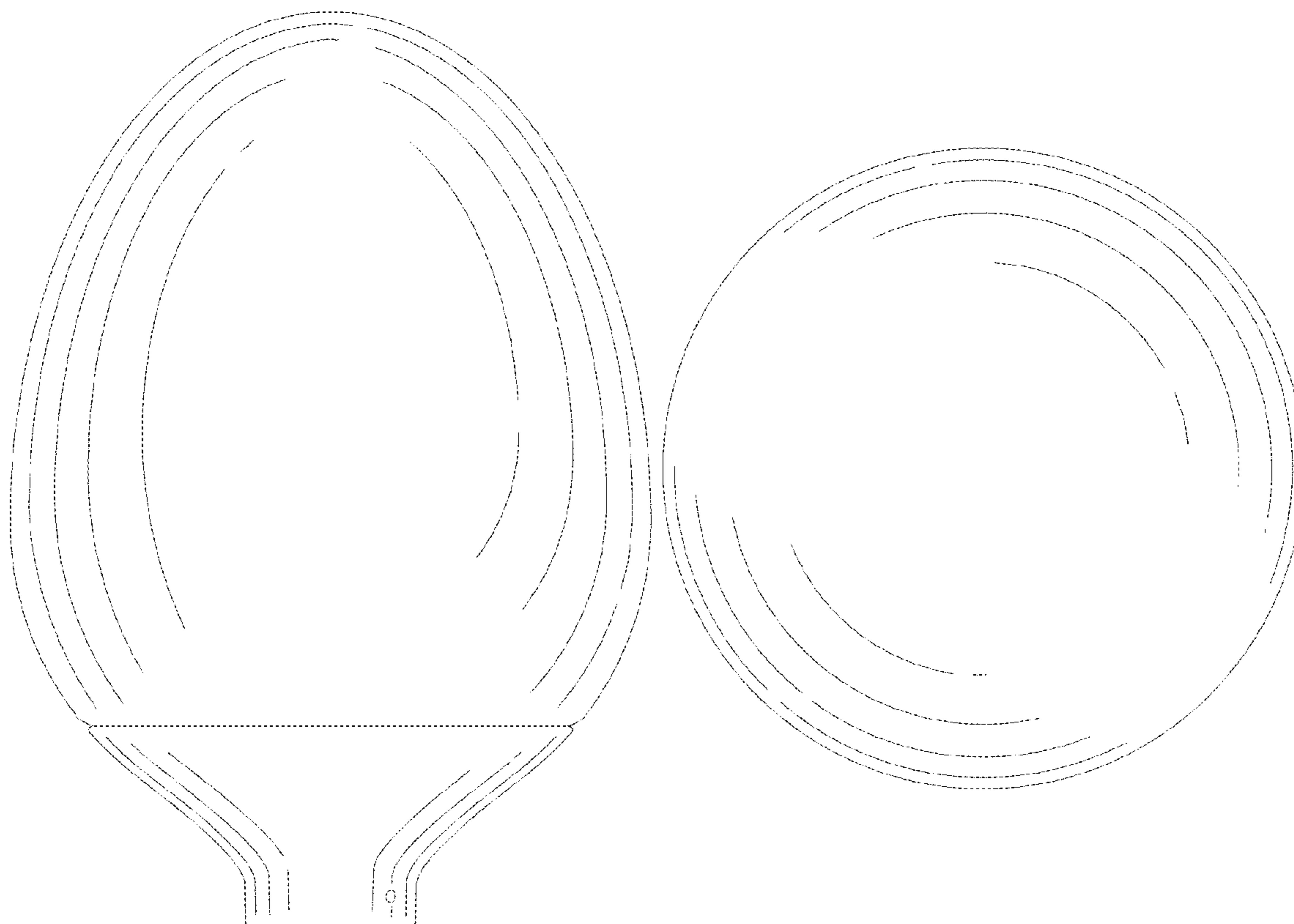
(57) **CLAIM**

The ornamental design for a bulb lamp, as shown and described.

DESCRIPTION

FIG. 1 is a front view of a bulb lamp showing my new design;
FIG. 2 is a back elevation view thereof;
FIG. 3 is a left side view thereof;
FIG. 4 is a right side view thereof;
FIG. 5 is a top plan view thereof;
FIG. 6 is a bottom plan view thereof;
FIG. 7 is a use status diagram thereof; and,
FIG. 8 is another use status diagram thereof.
The broken lines in the drawing depict environmental subject matter only and form no part of the claimed design.

1 Claim, 8 Drawing Sheets



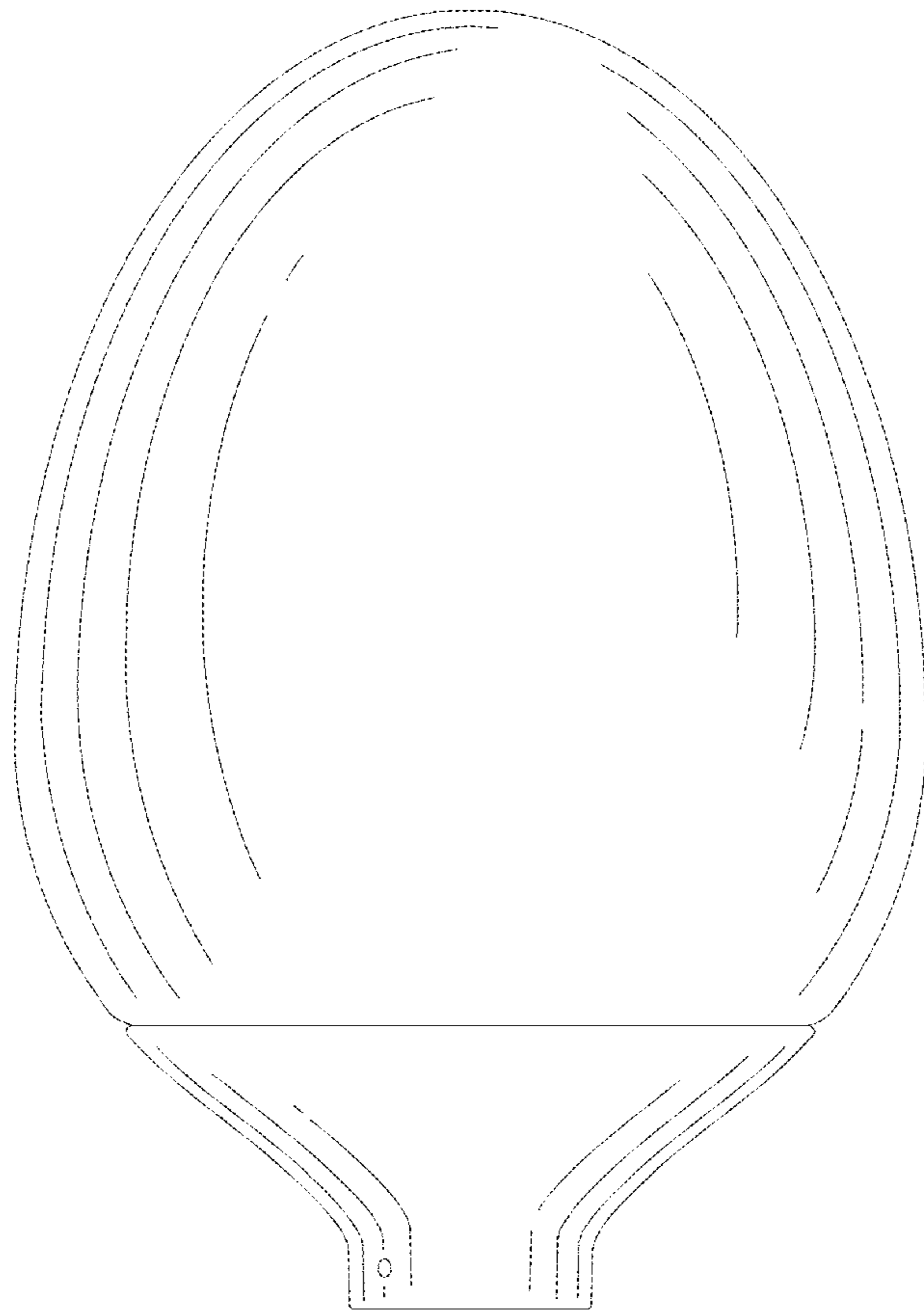


FIG. 1

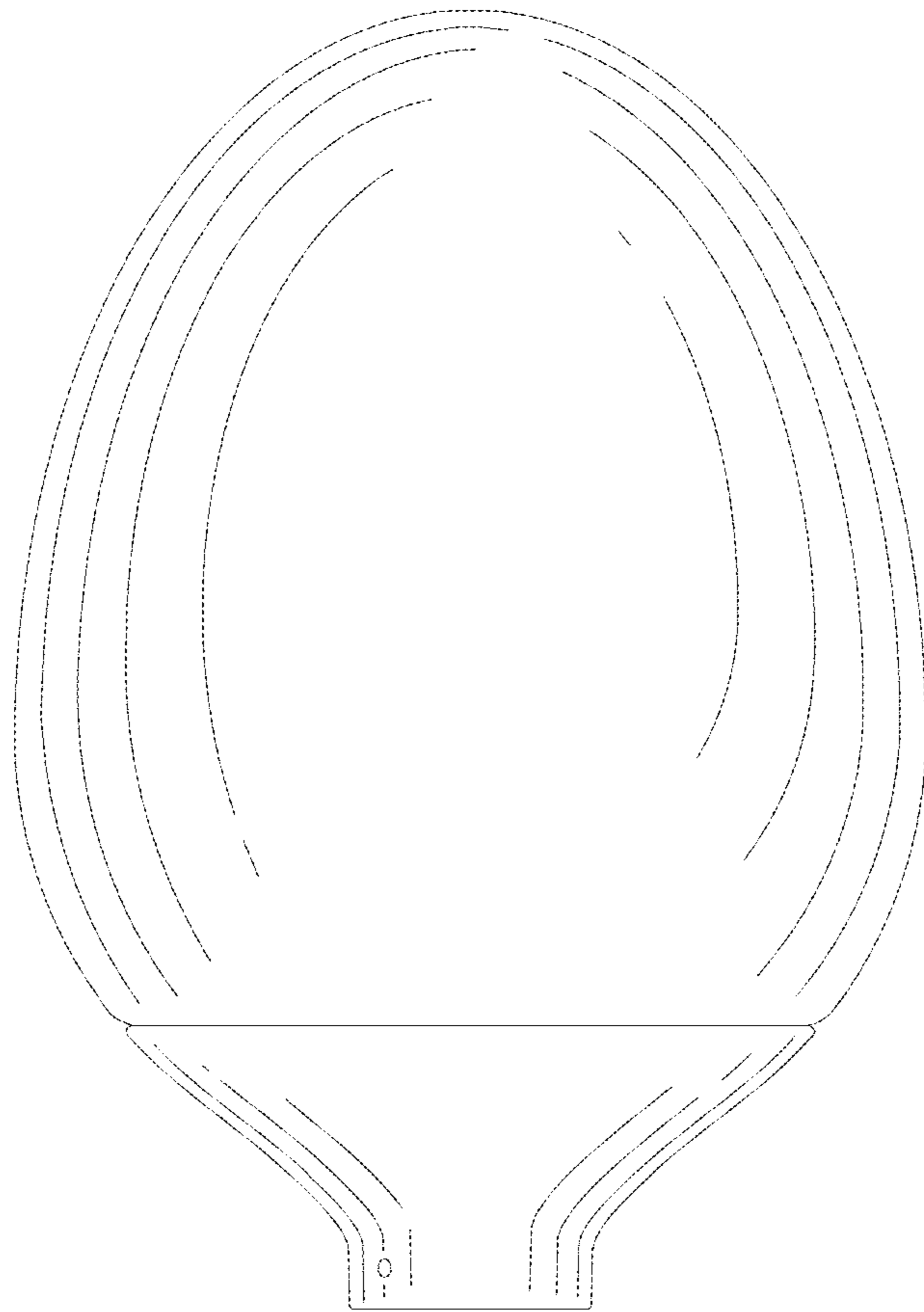


FIG. 2

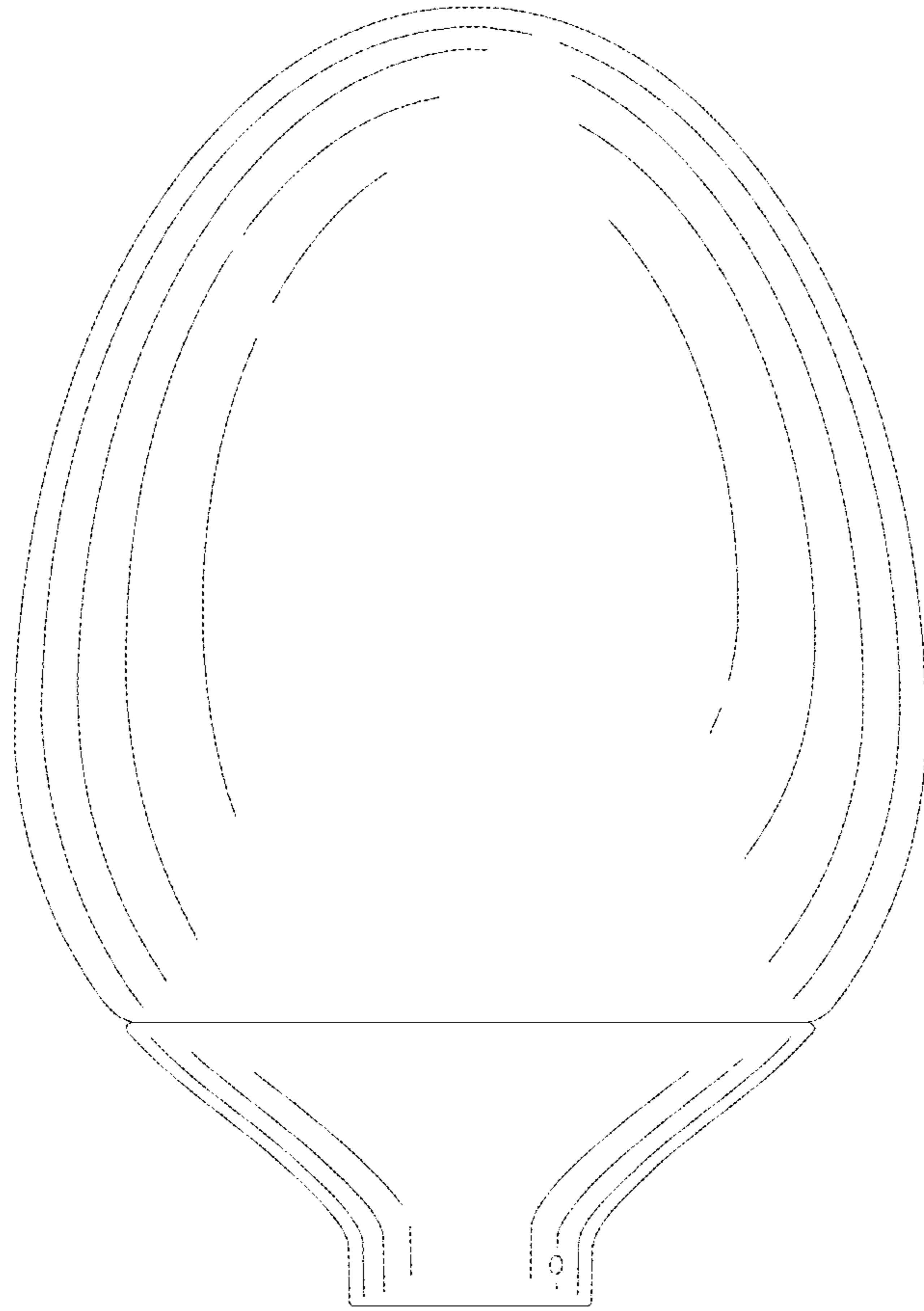


FIG. 3

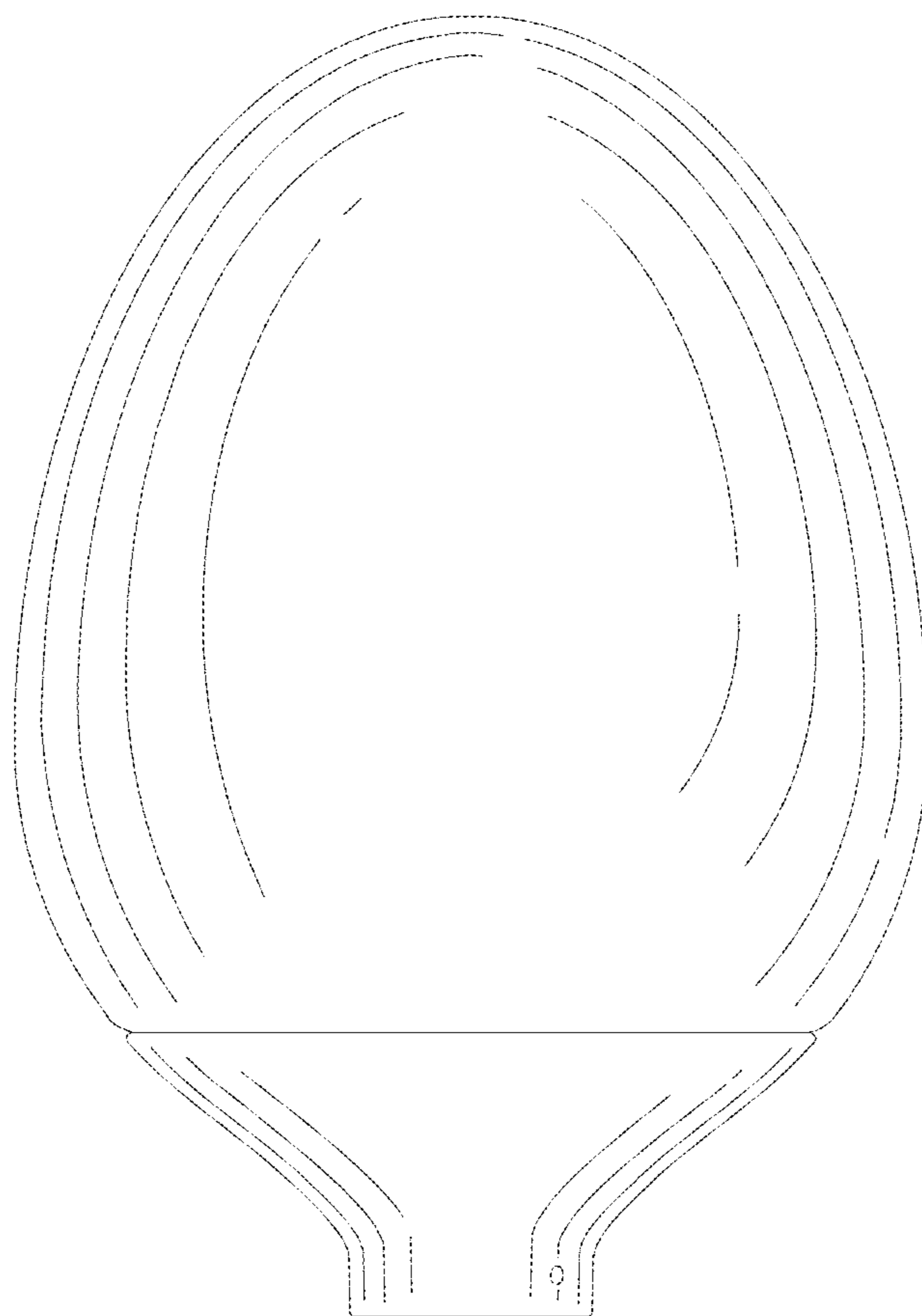


FIG. 4

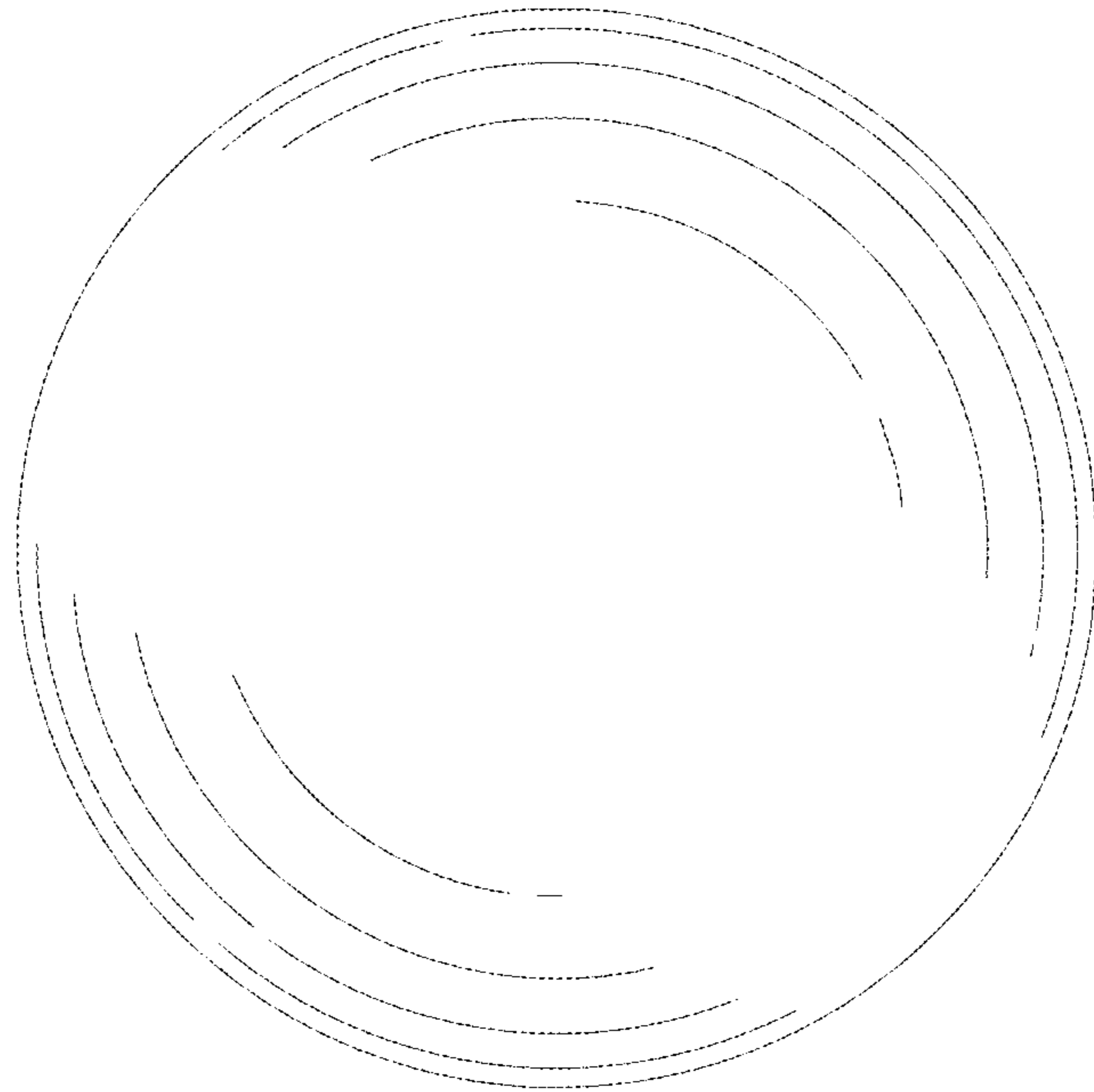


FIG. 5

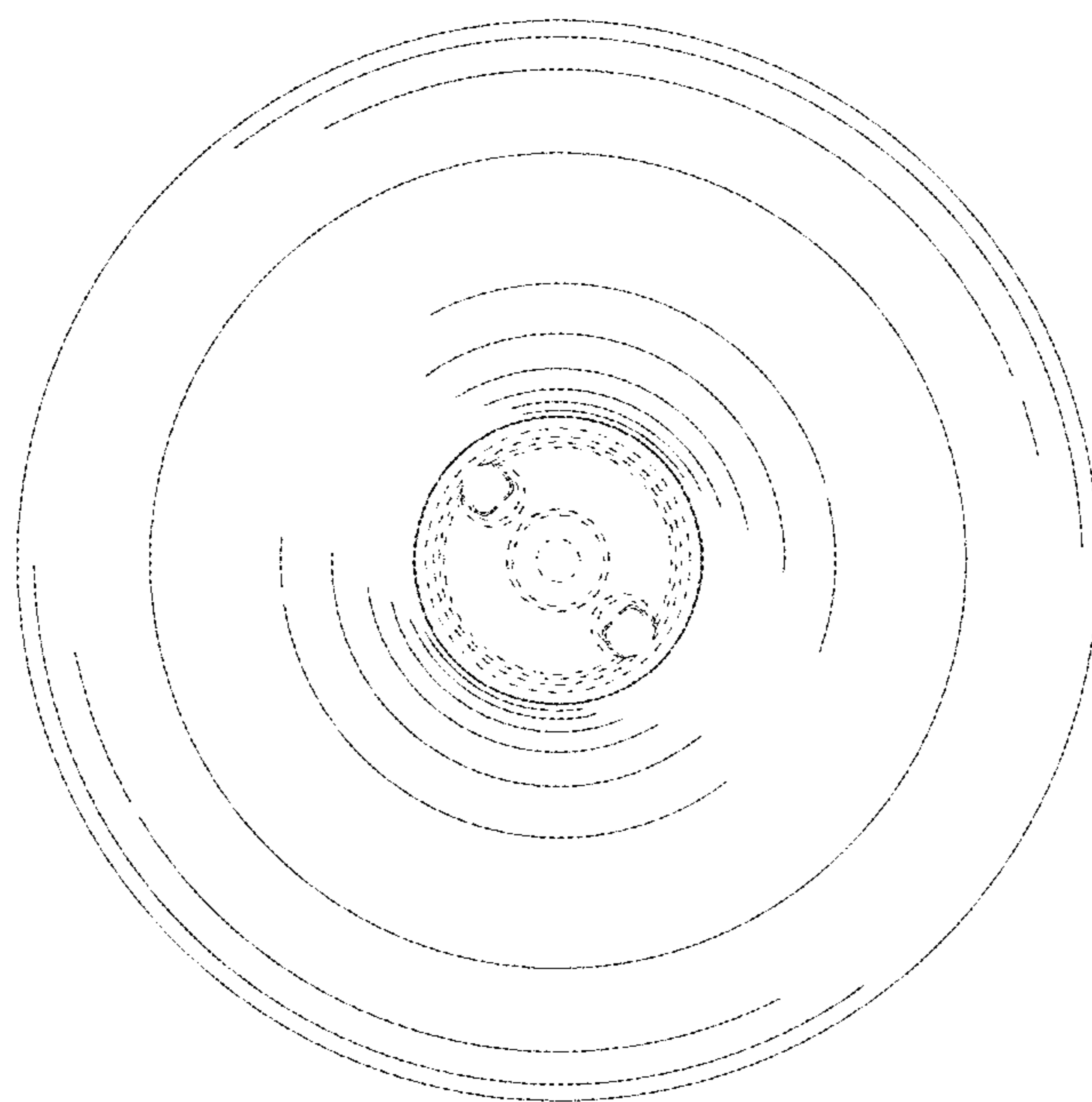


FIG. 6

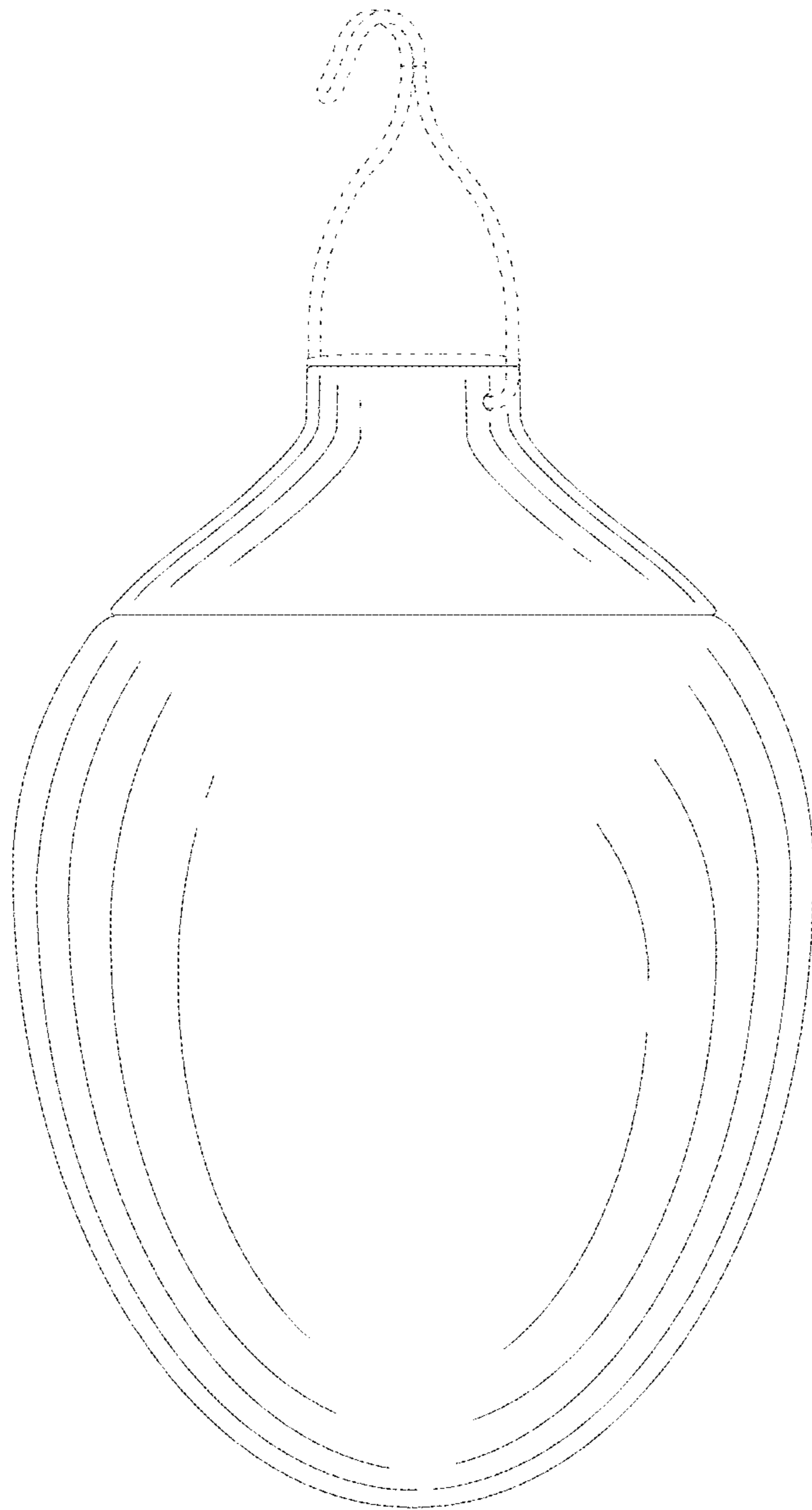


FIG. 7

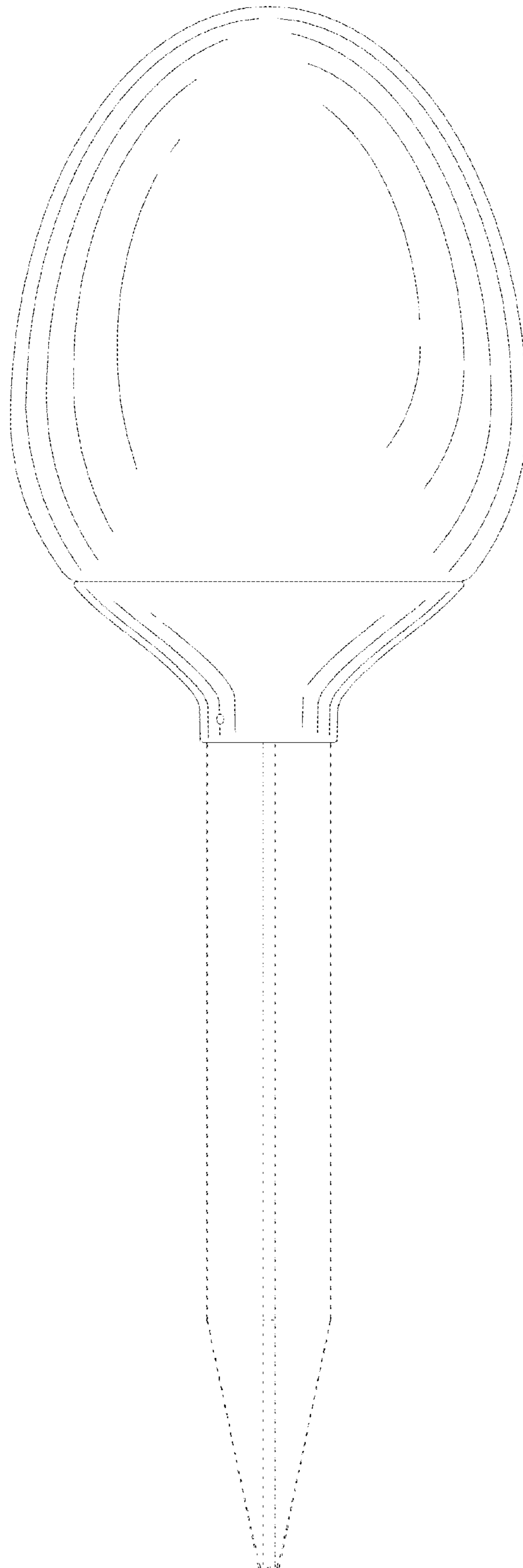


FIG. 8