



US00D939107S

(12) **United States Design Patent**
Chen

(10) **Patent No.:** **US D939,107 S**

(45) **Date of Patent:** **** Dec. 21, 2021**

(54) **LED LIGHT**

(56) **References Cited**

(71) Applicant: **Guangdong Chuanglv Industrial Co., Ltd, Guangdong (CN)**

U.S. PATENT DOCUMENTS

(72) Inventor: **Jiao Chen, Guangdong (CN)**

D745,709 S	*	12/2015	Iguma	D26/2
D761,973 S	*	7/2016	Moon	D26/2
D780,347 S	*	2/2017	Shum	D26/2
D781,468 S	*	3/2017	Shum	D26/2

(73) Assignee: **Guangdong Chuanglv Industrial Co., Ltd, Guangzhou (CN)**

* cited by examiner

(**) Term: **15 Years**

Primary Examiner — Marcus A Jackson

(21) Appl. No.: **29/731,383**

(57) **CLAIM**

The ornamental design for a LED light, as shown and described.

(22) Filed: **Apr. 14, 2020**

DESCRIPTION

(30) **Foreign Application Priority Data**

Dec. 26, 2019 (CN) 201930732265.4

(51) **LOC (13) Cl.** **26-04**

(52) **U.S. Cl.**
USPC **D26/2**

(58) **Field of Classification Search**

USPC D26/1-11
CPC H01R 13/514; H01R 5/00; H01R 13/46;
H01R 31/048; H01R 31/02; H01J 5/00;
H01J 5/16; H01J 1/02; H01J 15/00; H01J
5/48; H01J 5/50; H01J 19/54; F21V 5/00;
F21K 9/00; F21K 13/00

See application file for complete search history.

FIG. 1 is a top and rear perspective view of a LED light showing my new design;

FIG. 2 is a bottom, front and left side perspective view thereof;

FIG. 3 is a front elevational view thereof;

FIG. 4 is a rear elevational view thereof;

FIG. 5 is a left side view thereof;

FIG. 6 is a right side view thereof;

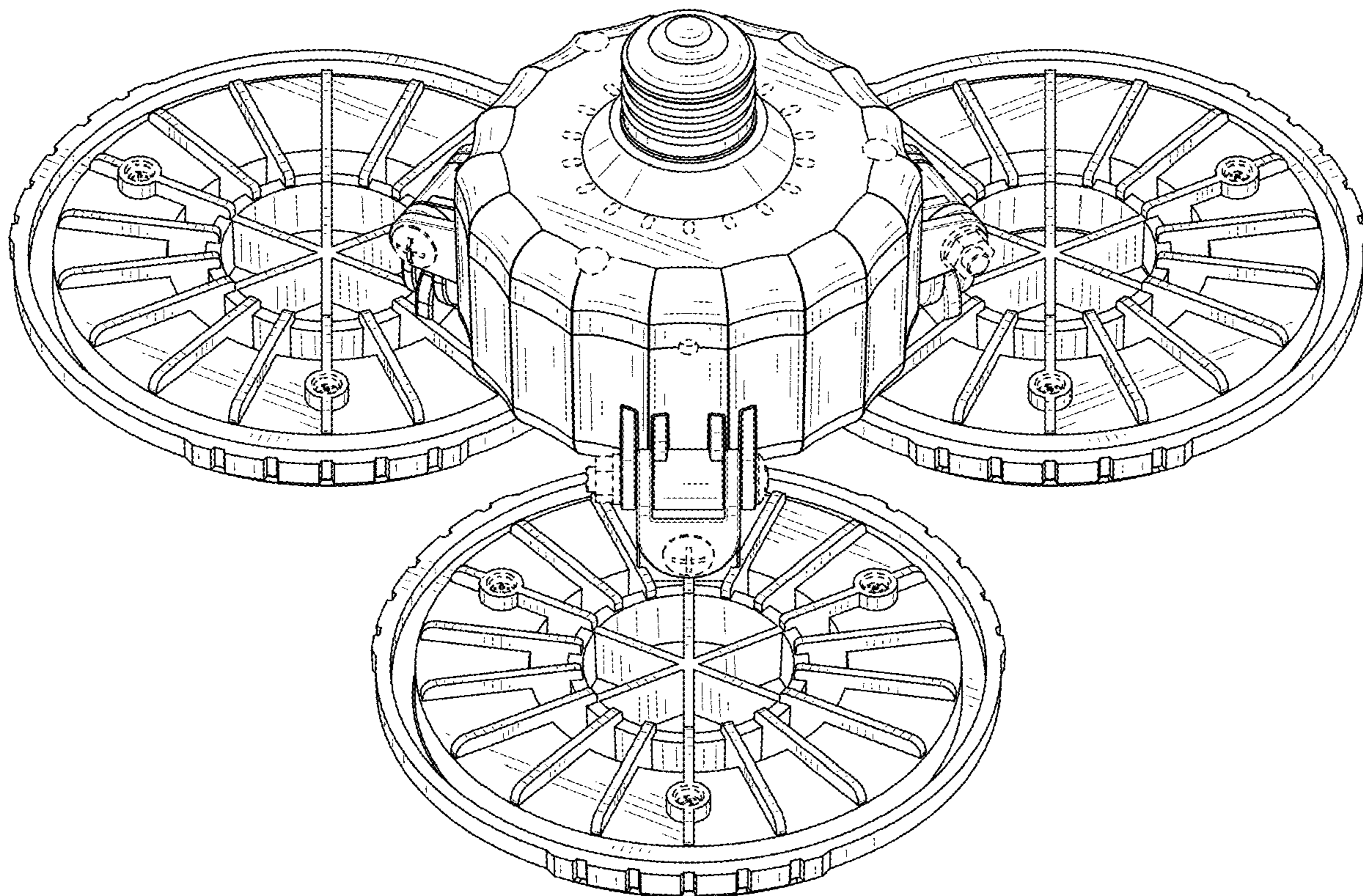
FIG. 7 is a top plan view thereof;

FIG. 8 is a bottom plan view thereof; and,

FIG. 9 is an enlarged view of portion 9 in FIG. 2.

The broken lines in the drawings illustrate portions of the LED light which form no part of the claimed design.

1 Claim, 9 Drawing Sheets



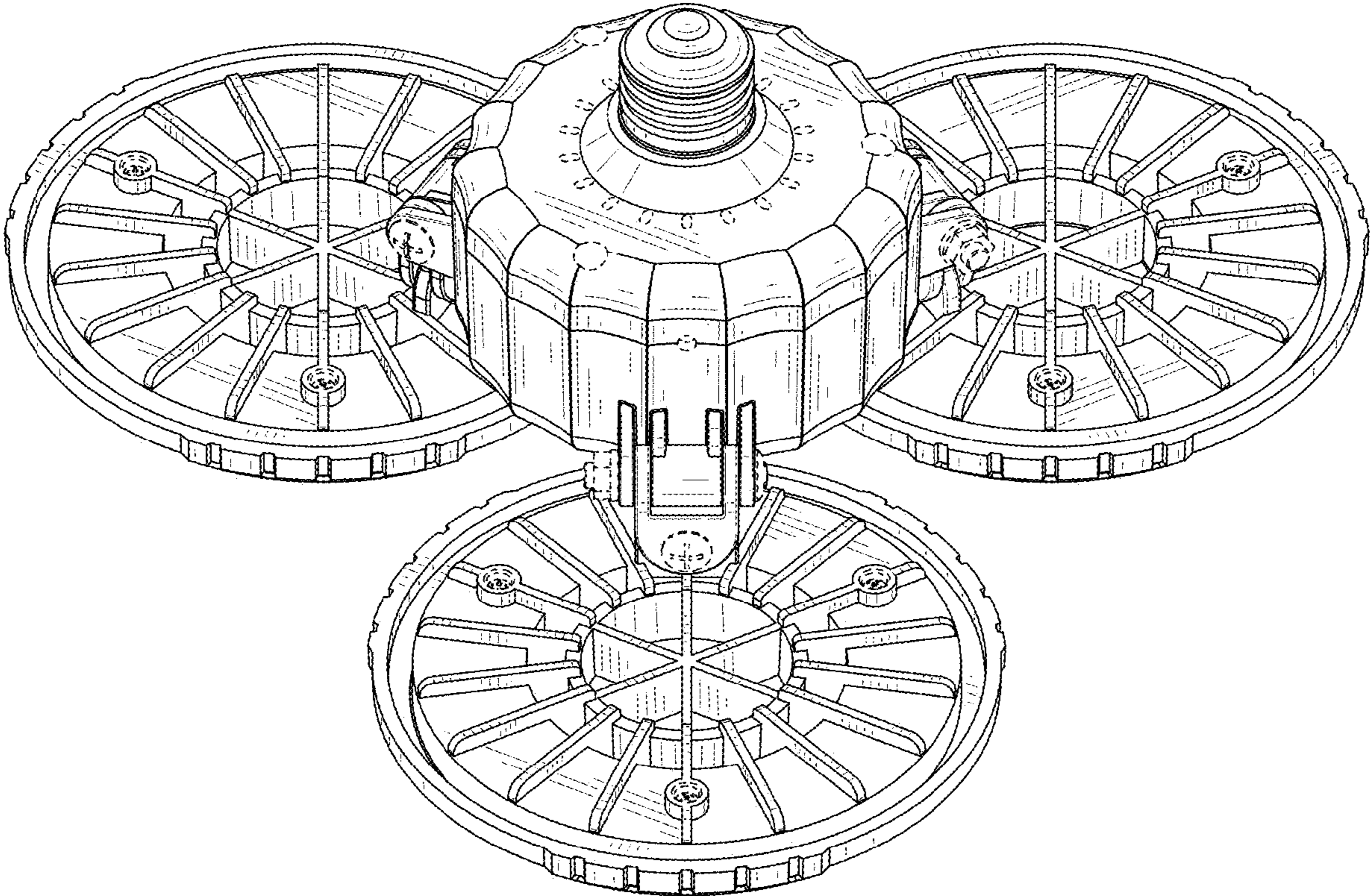


FIG. 1

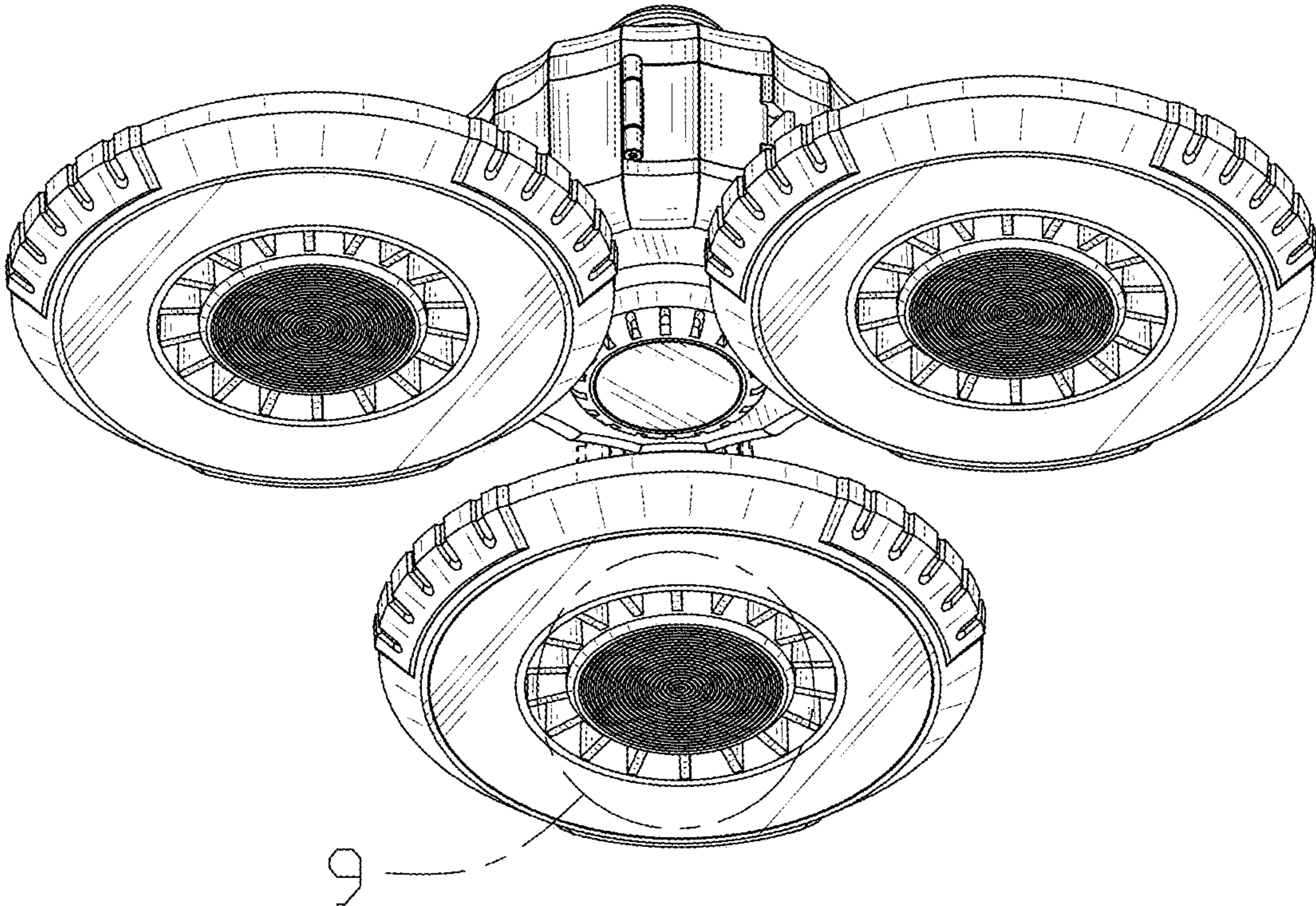


FIG. 2

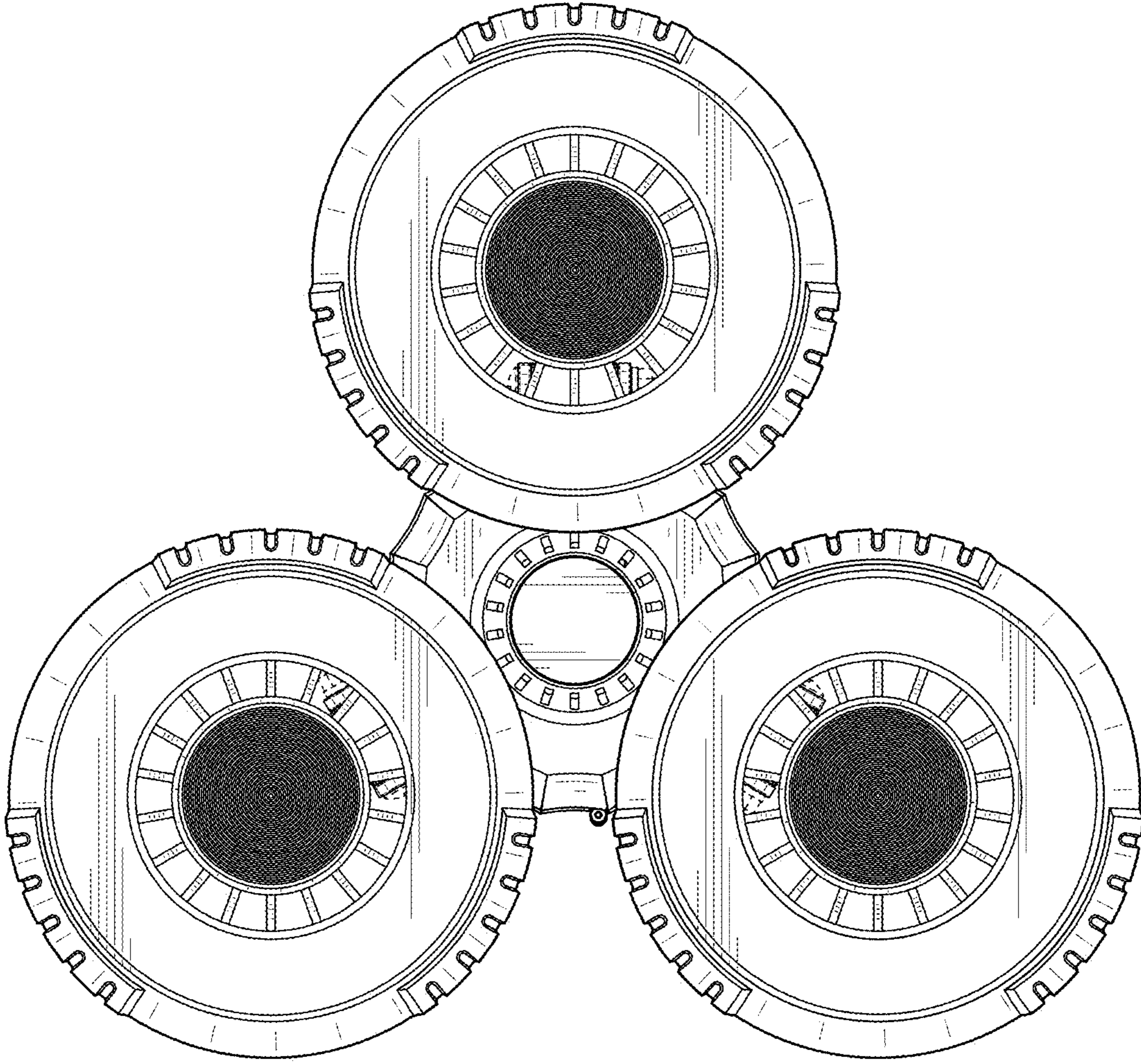


FIG. 3

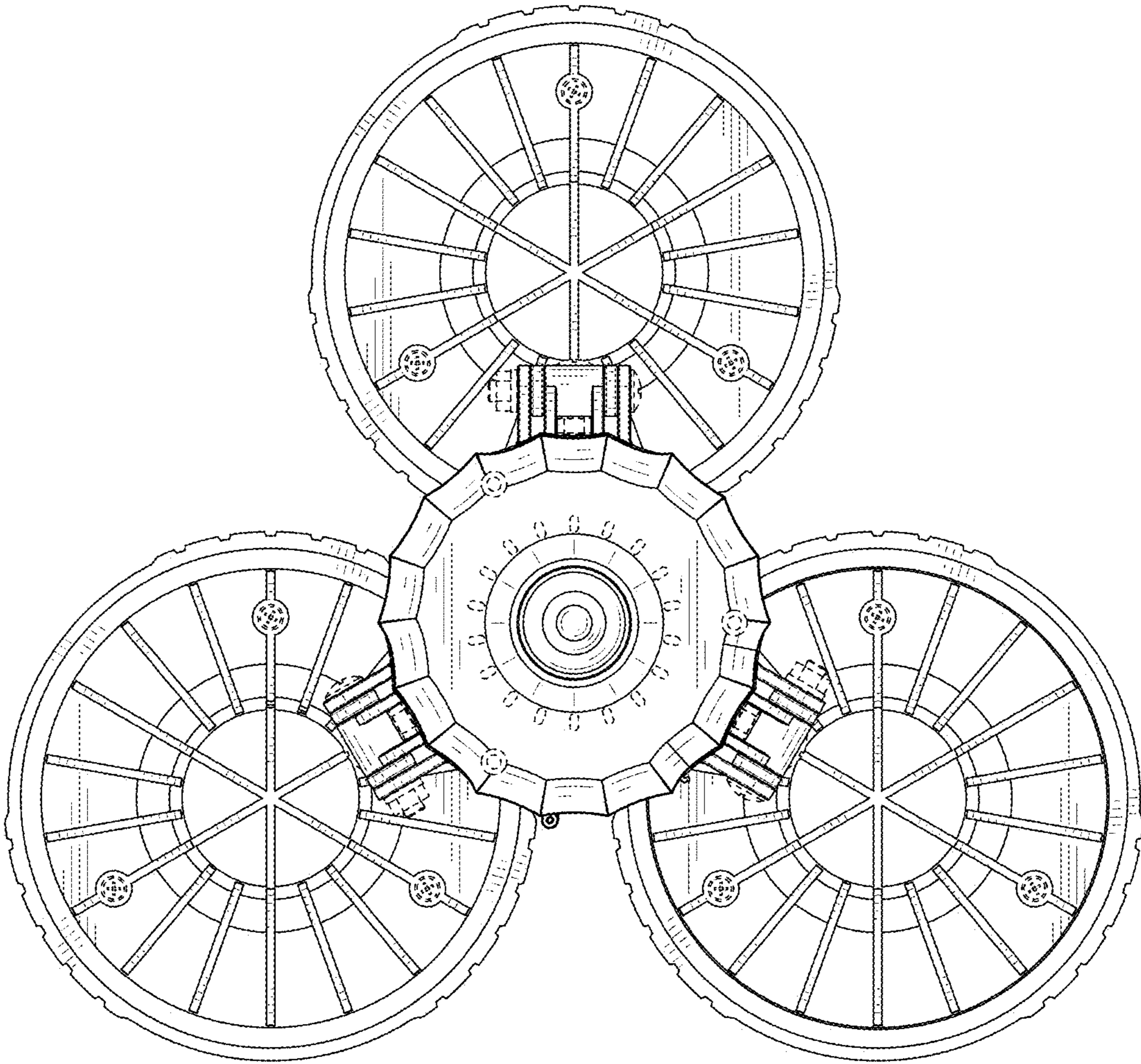


FIG. 4

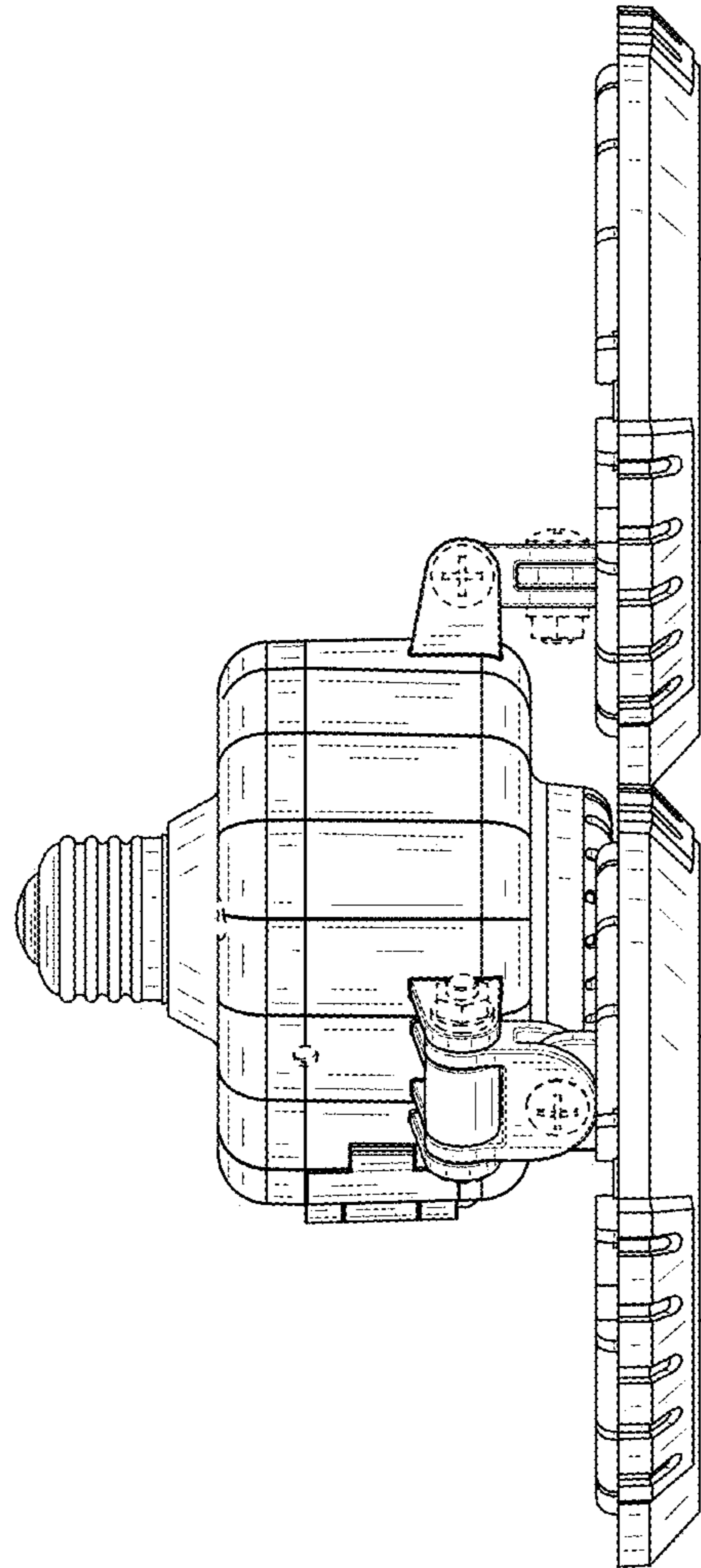


FIG. 5

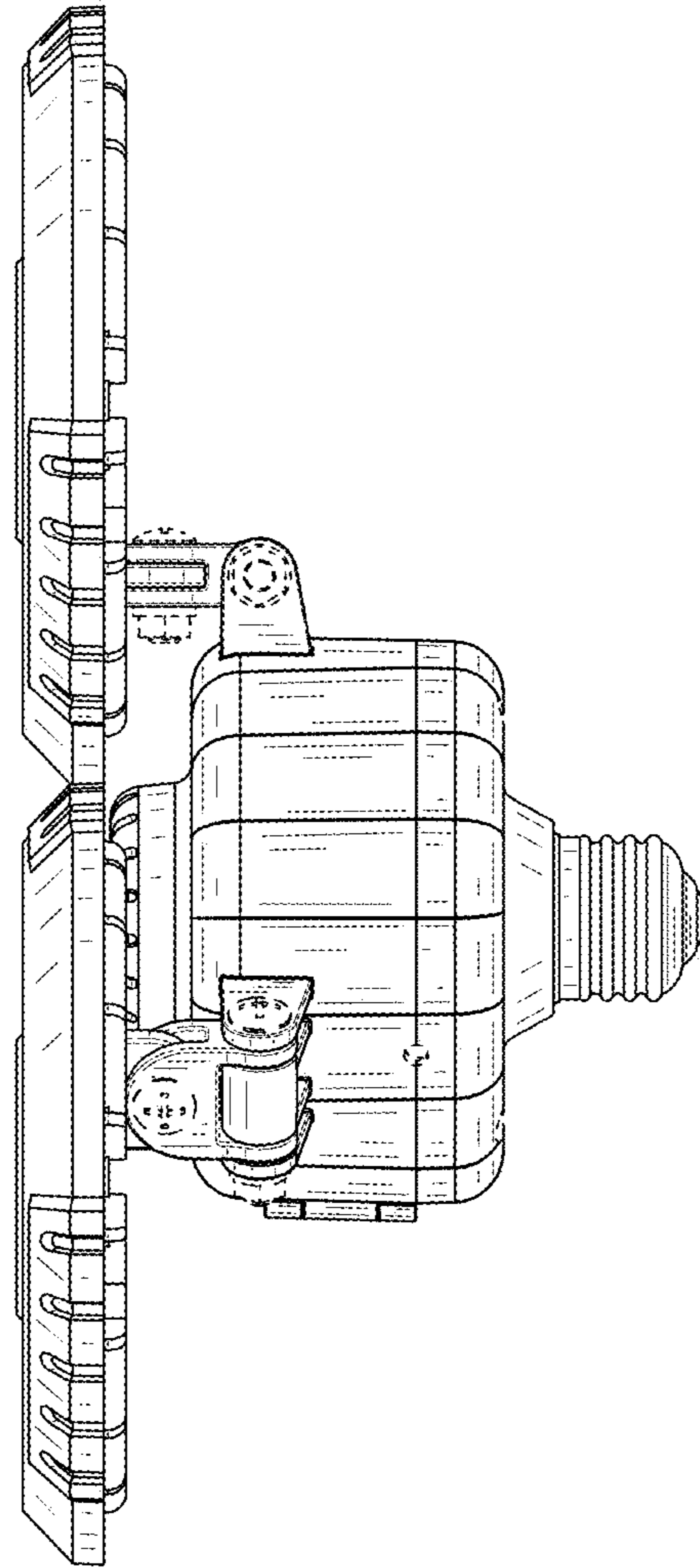


FIG. 6

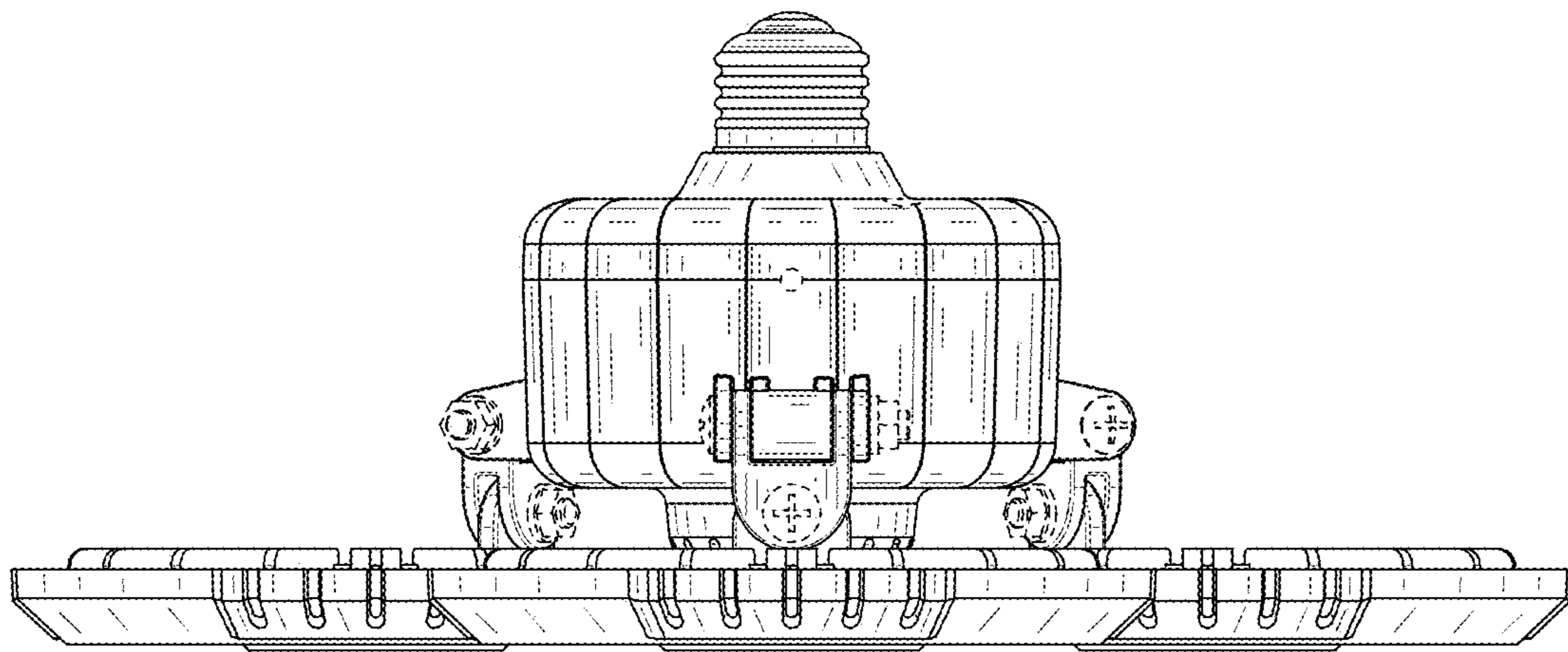


FIG. 7

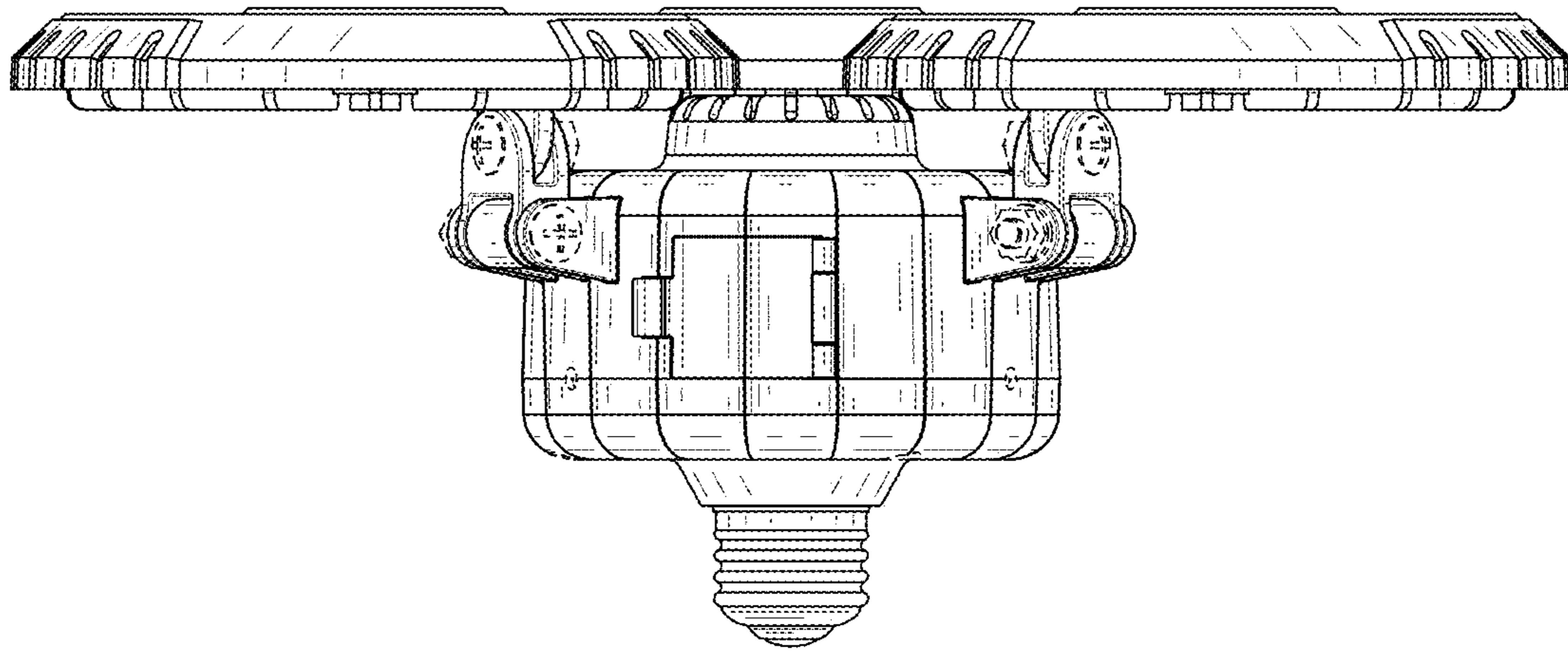


FIG. 8

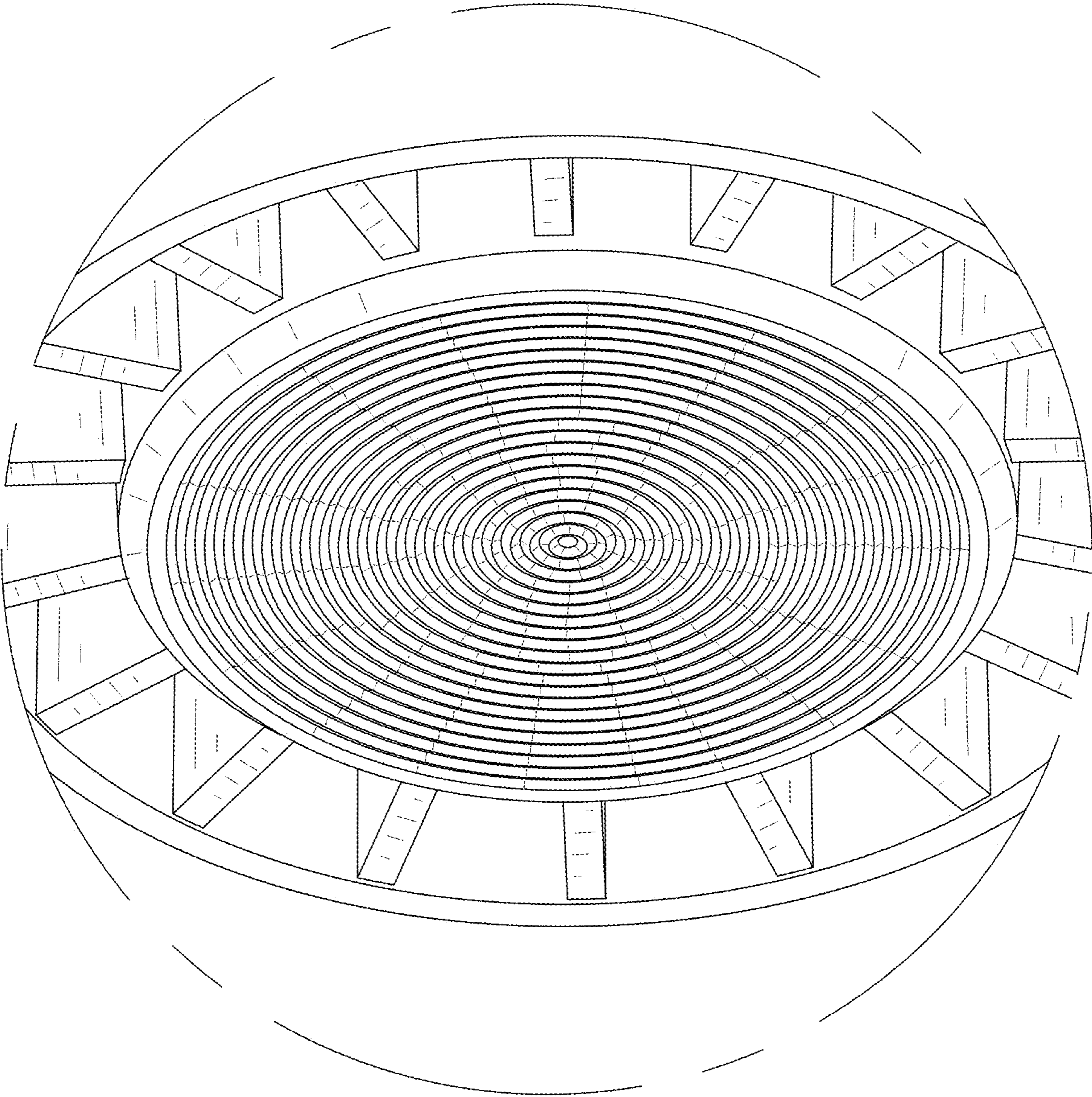


FIG. 9