



US00D939103S

(12) **United States Design Patent**
Xu

(10) **Patent No.:** **US D939,103 S**

(45) **Date of Patent:** **** Dec. 21, 2021**

(54) **DEEP TISSUE MASSAGER**

(71) Applicant: **YONG KANG AIJIU INDUSTRIAL & TRADE CO., LTD**, Zhejiang (CN)

(72) Inventor: **Lijun Xu**, Zhejiang (CN)

(73) Assignee: **YONG KANG ALJIU INDUSTRIAL & TRADE CO., LTD**, Yongkang (CN)

(**) Term: **15 Years**

(21) Appl. No.: **29/733,981**

(22) Filed: **May 7, 2020**

(30) **Foreign Application Priority Data**

Mar. 27, 2020 (CN) 202030112082.5

(51) **LOC (13) Cl.** **28-03**

(52) **U.S. Cl.**
USPC **D24/215**

(58) **Field of Classification Search**
USPC D24/215, 200, 211, 212, 213, 214, 133,
D24/188, 107, 231; D8/14.1, 61;
D28/13

CPC .. A61H 1/00; A61H 15/00; A61H 2015/0007;
A61H 7/00; A61H 7/003; A61H 7/004;
A61H 7/005; A61H 9/00; A61H 9/0007;
A61H 9/0021; A61H 9/005; A61H 23/00;
A61H 23/006; A61H 23/02; A61H
23/0254; A61H 23/04; A61H 2201/0153;
A61H 2201/1207

See application file for complete search history.

(56) **References Cited**

U.S. PATENT DOCUMENTS

D403,220 S * 12/1998 Kimata D8/68
6,682,496 B1 * 1/2004 Pivaroff A61H 7/005
601/101
D487,219 S * 3/2004 Chudy D8/68
D544,102 S * 6/2007 Pivaroff D24/215
D573,425 S * 7/2008 Post D8/14.1

D782,732 S * 3/2017 Smith D28/13
D843,656 S * 3/2019 Zhang D28/44.1
D855,822 S * 8/2019 Marton D24/215
D873,432 S * 1/2020 Duan D24/214
D874,015 S * 1/2020 Marton D24/215
D884,205 S * 5/2020 Zhuang D24/215
D893,738 S * 8/2020 Zhuang D24/215

(Continued)

OTHER PUBLICATIONS

Xtionsport—Massage Gun. Date: Not listed. [online]. [Site visited Sep. 2, 2021]. Available from Internet URL: https://ykaj.en.alibaba.com/product/1600108982099-811687759/XTIONSSPORT_16_8V_2_5ah_brushless_1_20mode_5_pounds_1200_3200_rpm_deep_muscle_vibration_massage_gun_with_LED_touch_screen.html (Year: NA).*

(Continued)

Primary Examiner — Susan Bennett Hattan
Assistant Examiner — Landon Thomas Cassell

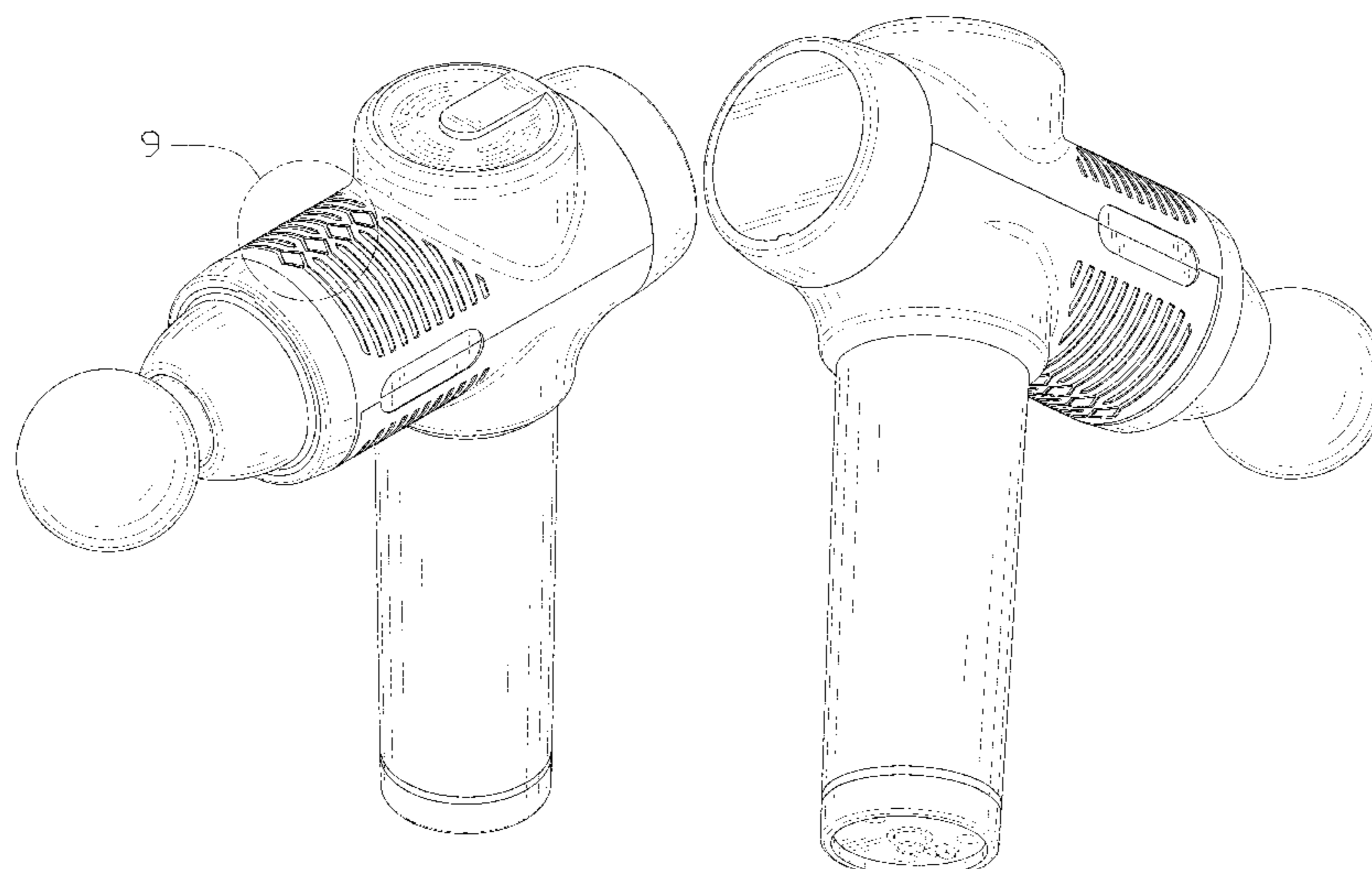
(57) **CLAIM**

The ornamental design for a deep tissue massager, as shown and described.

DESCRIPTION

FIG. 1 is a top, front and left side perspective view of a deep tissue massager showing my new design;
FIG. 2 is a bottom, rear and right side perspective view thereof;
FIG. 3 is a front elevational view thereof;
FIG. 4 is a rear elevational view thereof;
FIG. 5 is a left side view thereof;
FIG. 6 is a right side view thereof;
FIG. 7 is a top plan view thereof;
FIG. 8 is a bottom plan view thereof; and,
FIG. 9 is an enlarged view of portion 9 in FIG. 1.
The broken lines in the drawings illustrate portions of the deep tissue massager which form no part of the claimed design.

1 Claim, 9 Drawing Sheets



(56)

References Cited

U.S. PATENT DOCUMENTS

D898,933 S * 10/2020 Xu D24/215
2010/0137907 A1 * 6/2010 Tsai A61H 23/00
606/238

OTHER PUBLICATIONS

Opove—Muscle Massager. Date: Jul. 2, 2019. [online]. [Site visited Aug. 24, 2021]. Available from Internet URL: <https://www.amazon.com/dp/B07TWFK7JW/> (Year: 2019).*

Welteayo—Muscle Massage Gun. Date: Oct. 7, 2019. [online]. [Site visited Aug. 20, 2021]. Available from Internet URL: <https://www.amazon.co.uk/dp/B07YV1MY9C/> (Year: 2019).*

Massage Guns. (Design—© Questel) orbit.com. [Online PDF compilation of references] 44 pgs. Print Dates Range Aug. 20, 2019-Oct. 13, 2020 [Retrieved Aug. 25, 2021] <https://www.orbit.com/export/UCZAH96B/pdf4/a9649cd7-5fcb-429b-8fb7-395cd195d75c-191030.pdf> (Year: 2021).*

* cited by examiner

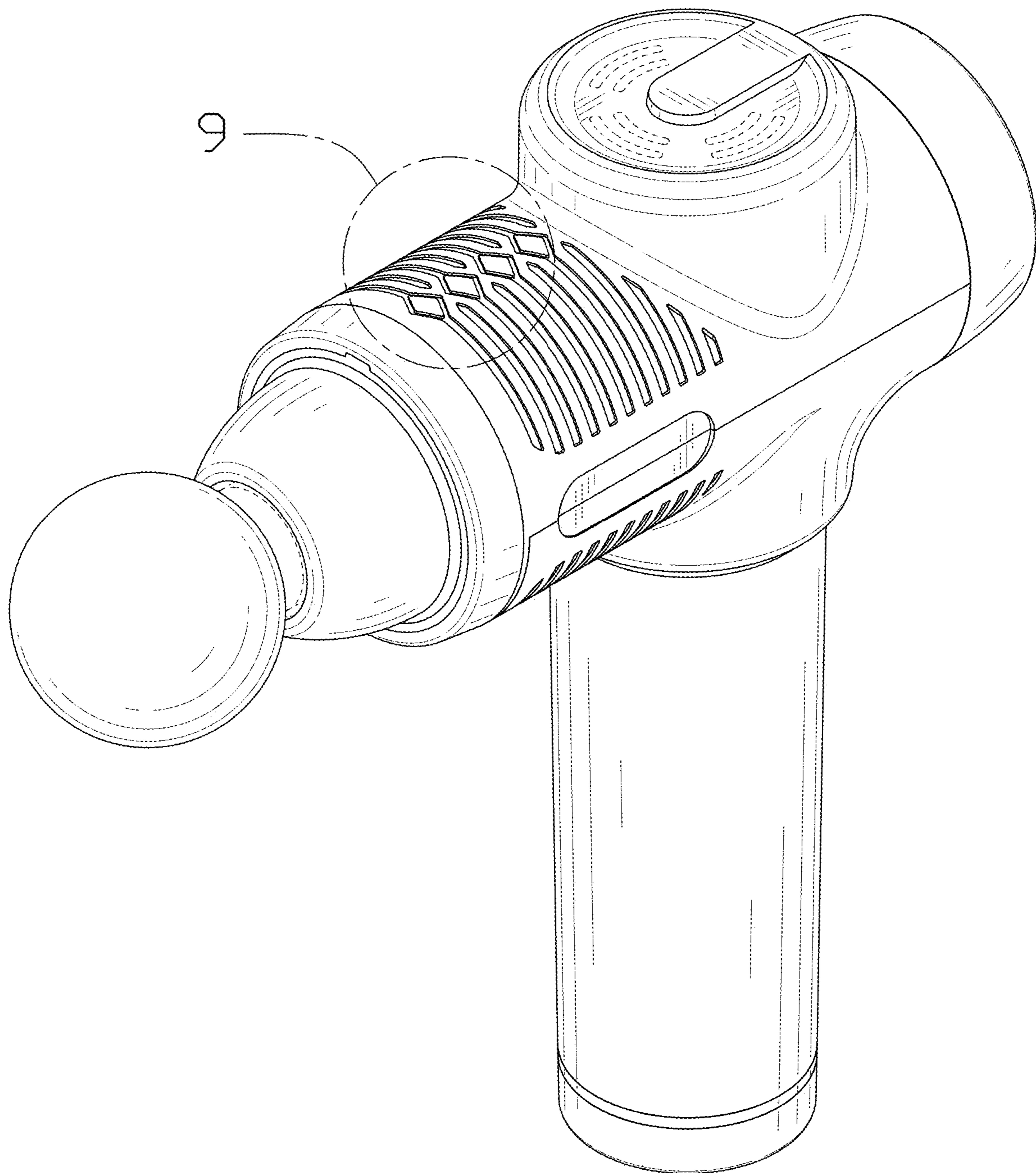


FIG. 1

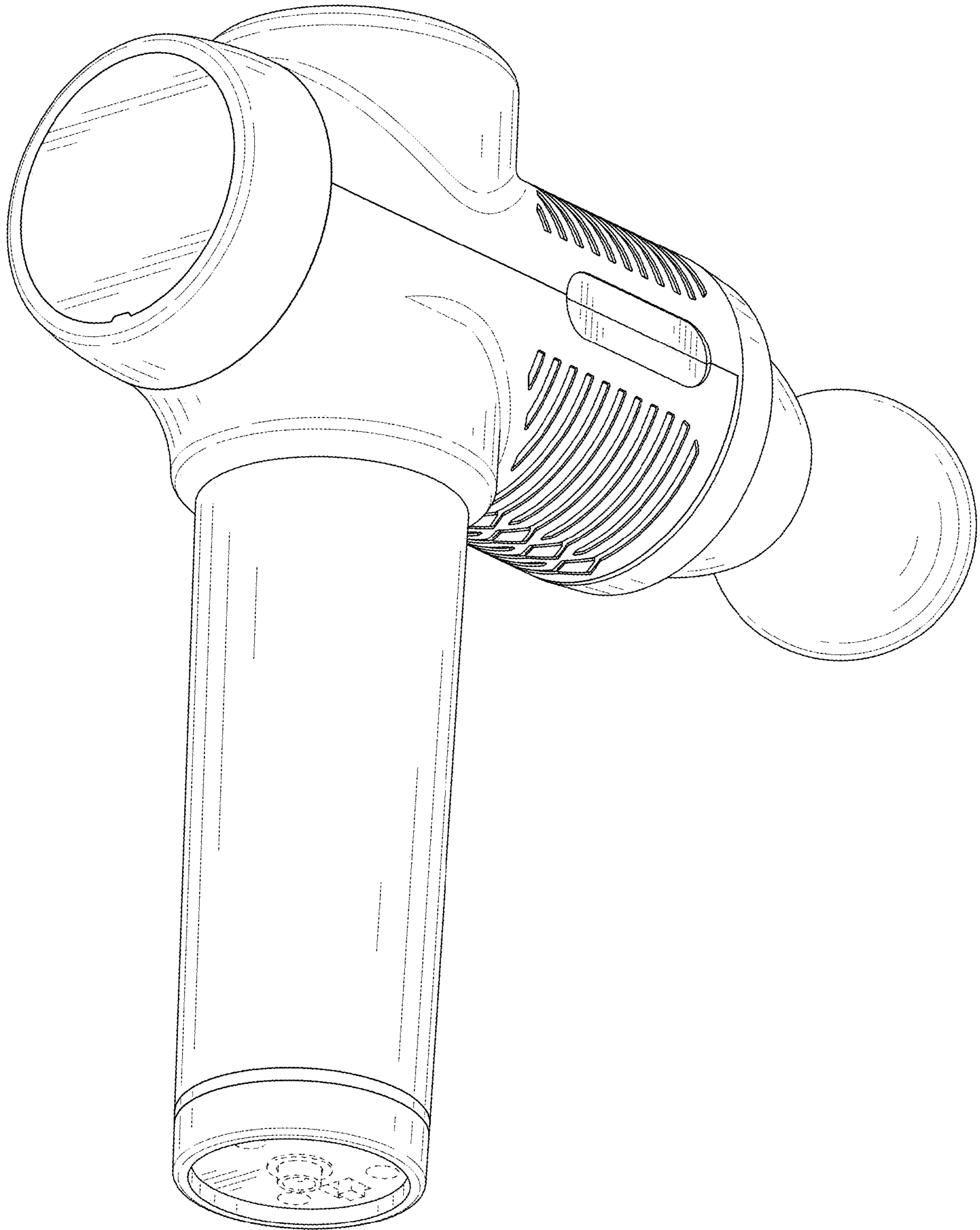


FIG. 2

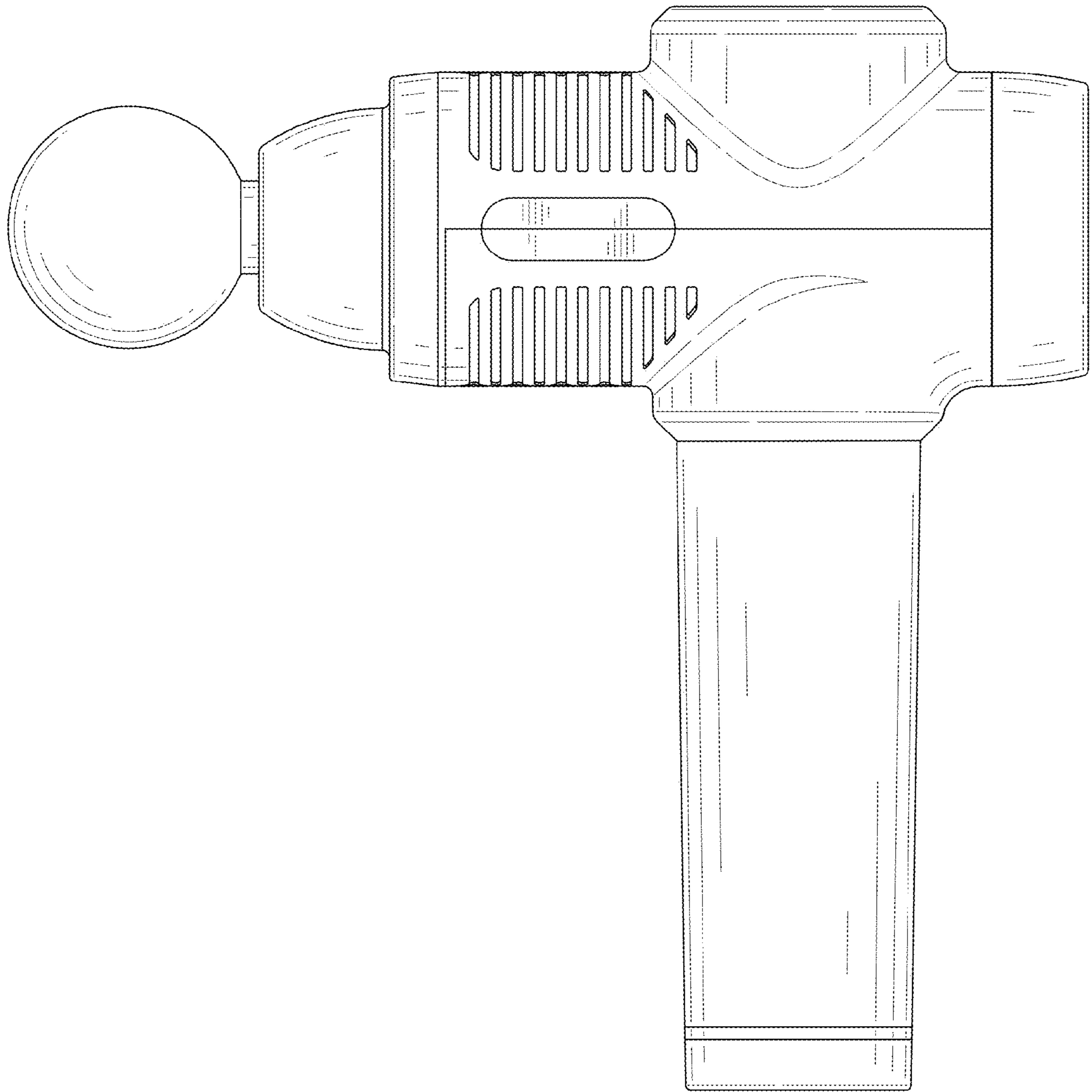


FIG. 3

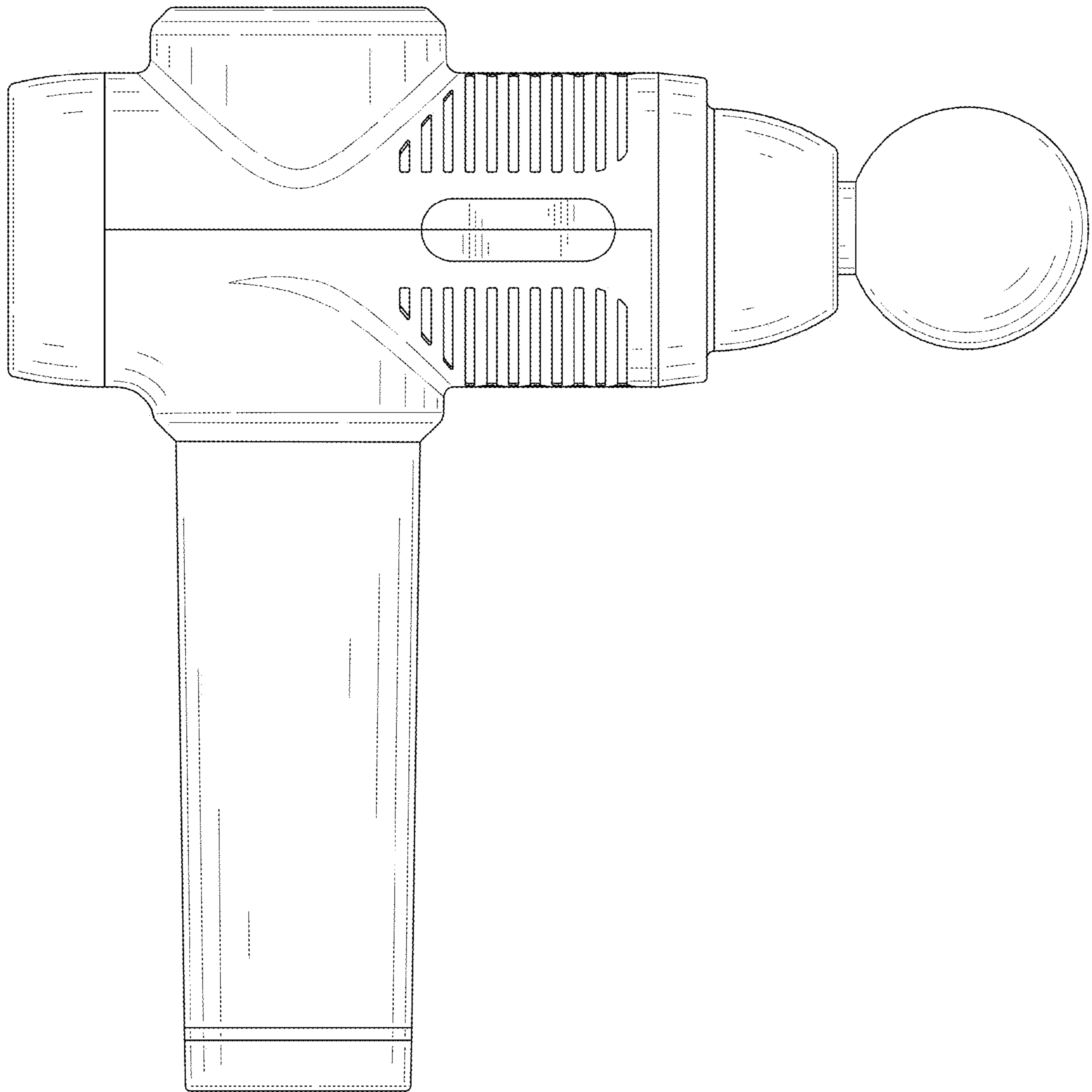


FIG. 4

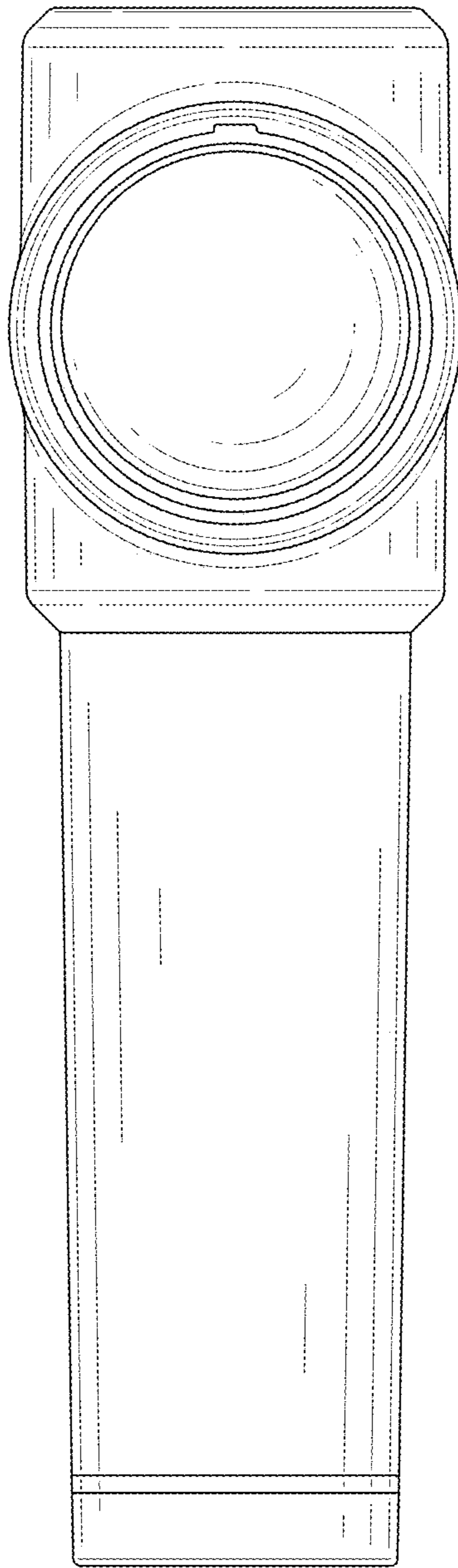


FIG. 5

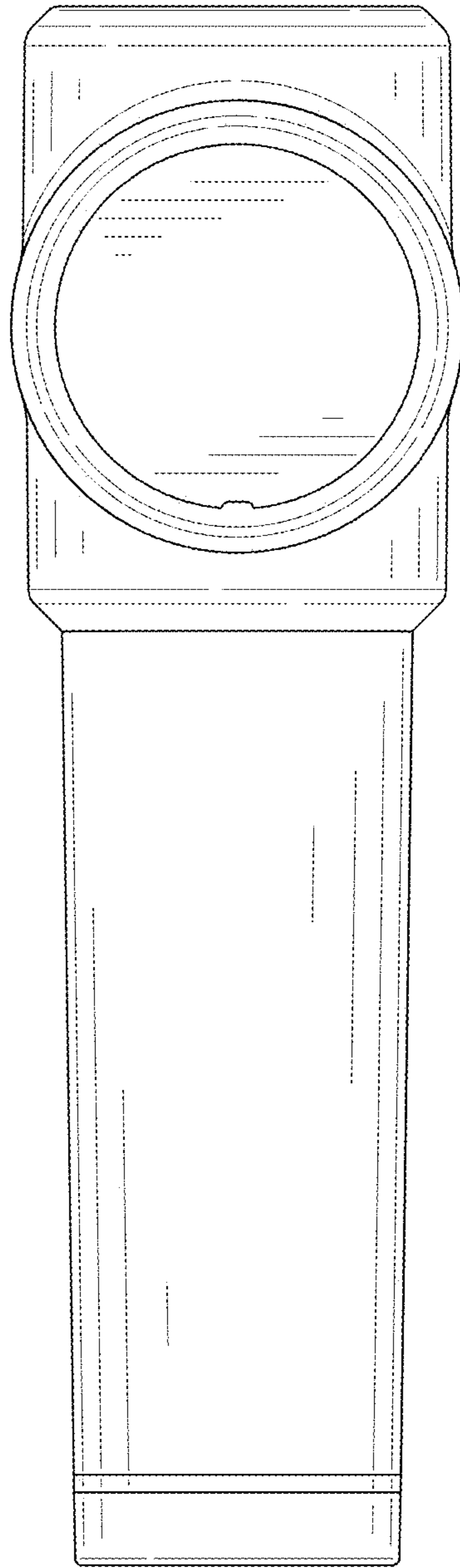


FIG. 6

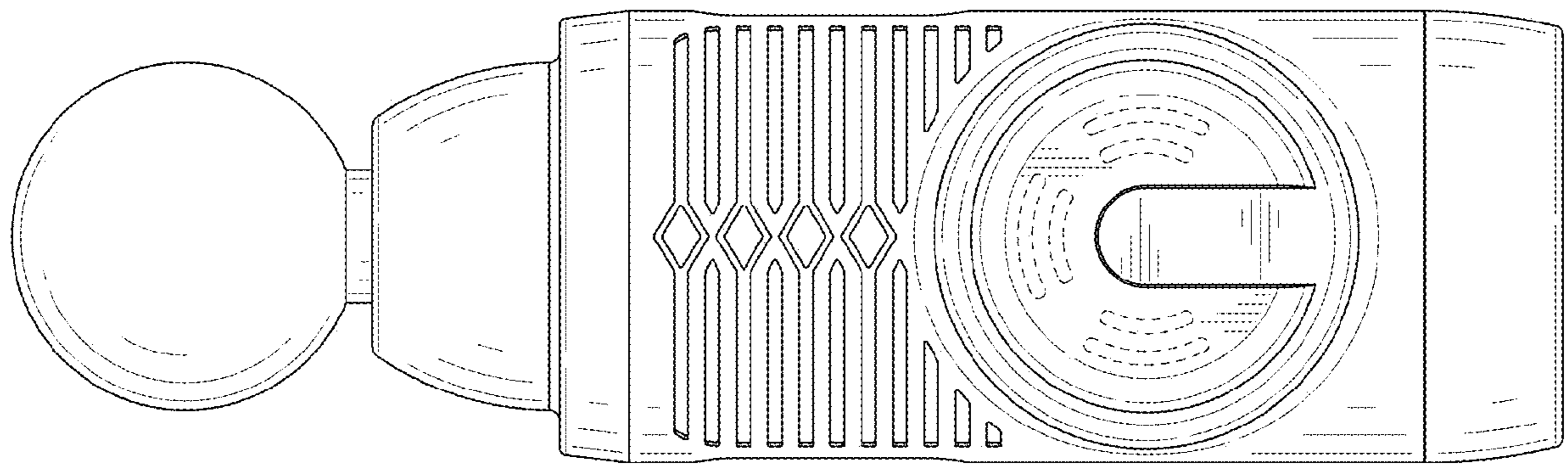


FIG. 7

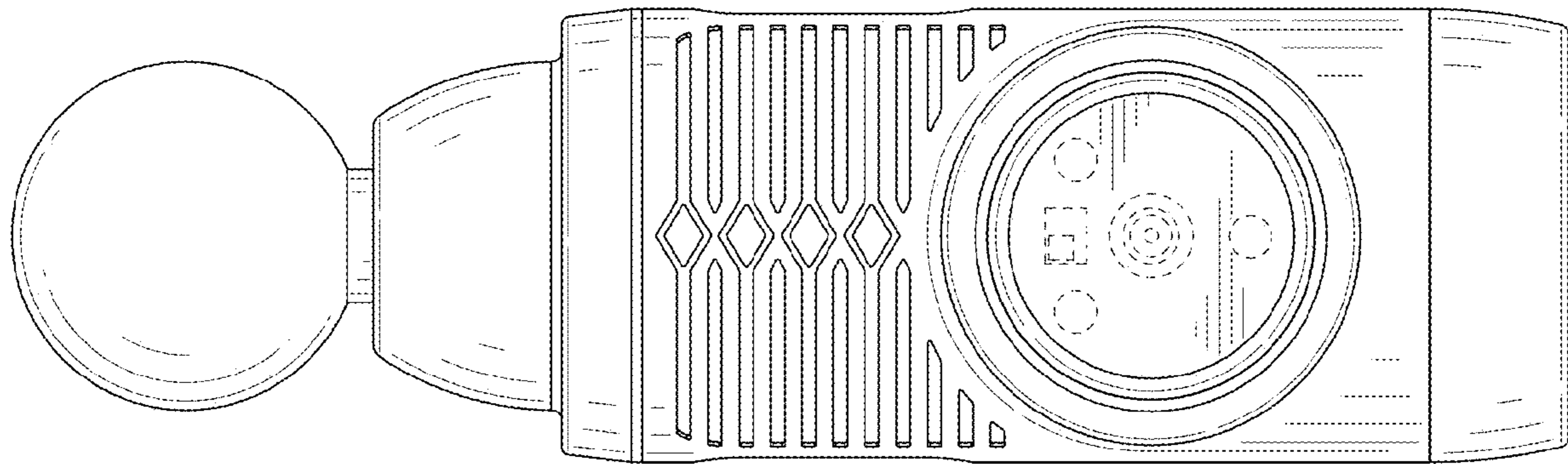


FIG. 8

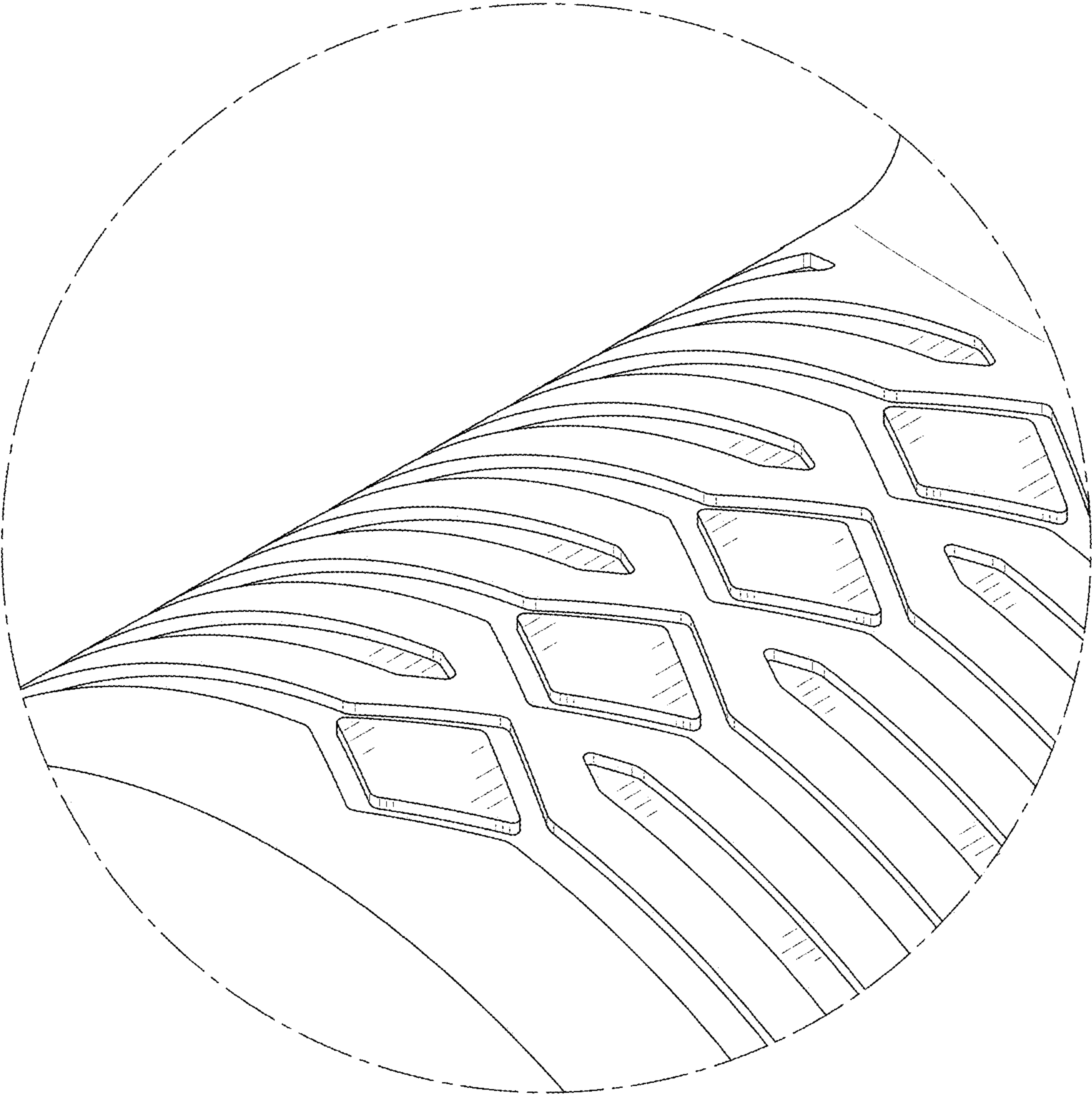


FIG. 9