



US00D939101S

(12) **United States Design Patent**  
**Yang**

(10) **Patent No.:** **US D939,101 S**

(45) **Date of Patent:** **\*\* Dec. 21, 2021**

(54) **MESSAGE DEVICE**

(71) Applicant: **Addaday, Inc.**, Los Angeles, CA (US)

(72) Inventor: **Victor Yang**, Palos Verdes Estates, CA (US)

(73) Assignee: **Addaday, Inc.**, Los Angeles, CA (US)

(\*\*) Term: **15 Years**

(21) Appl. No.: **29/732,111**

(22) Filed: **Apr. 21, 2020**

(51) **LOC (13) Cl.** ..... **28-03**

(52) **U.S. Cl.**  
USPC ..... **D24/215**

(58) **Field of Classification Search**  
USPC ..... D24/215, 200, 211, 212, 213, 214, 133, D24/188, 107, 231; D8/14.1; D28/13  
CPC . A61H 1/00; A61H 1/008; A61H 9/00; A61H 9/005; A61H 9/0007; A61H 9/0021; A61H 2015/0071; A61H 15/0078; A61H 15/0085; A61H 15/0042; A61H 15/0092; A61H 15/0064; A61H 23/00; A61H 23/006; A61H 2023/002; A61H 23/06; A61H 23/02; A61H 2201/0153; A61H 2201/0157; A61H 7/005; A61H 7/003  
See application file for complete search history.

(56) **References Cited**

**U.S. PATENT DOCUMENTS**

6,682,496 B1 \* 1/2004 Pivaroff ..... A61H 7/005  
601/101  
D544,102 S \* 6/2007 Pivaroff ..... D24/215  
D609,817 S \* 2/2010 Piller ..... D24/215  
9,414,662 B2 \* 8/2016 Moloney ..... A45D 20/50  
D855,822 S \* 8/2019 Marton ..... D24/215  
D863,571 S \* 10/2019 Yang ..... D24/200

D873,432 S \* 1/2020 Duan ..... D24/214  
D875,961 S \* 2/2020 Li ..... D24/211  
D895,132 S \* 9/2020 Hu ..... D24/215  
2016/0302548 A1 \* 10/2016 Yamazaki ..... A45D 20/10

**OTHER PUBLICATIONS**

Mingto Massage Gun. Date: Dec. 25, 2019. [online]. [Site visited Jun. 14, 2021]. Available from Internet URL: <https://www.amazon.co.uk/dp/B0833P5NCQ/> (Year: 2019).\*

Vi PRO Quiet Percussion Massage Gun. Date: Oct. 13, 2019. [online]. [Site visited Jun. 14, 2021]. Available from Internet URL: <https://www.amazon.ca/dp/B07WJXZBH9/> (Year: 2019).\*

(Continued)

*Primary Examiner* — Susan Bennett Hattan

*Assistant Examiner* — Landon Thomas Cassell

(74) *Attorney, Agent, or Firm* — Kevin Schraven; Anooj Patel; Hankin Patent Law, APC

(57) **CLAIM**

The ornamental design for a massage device, as shown and described.

**DESCRIPTION**

FIG. 1 is a top perspective view of a massage device, showing my new design.

FIG. 2 is a right side elevational view thereof.

FIG. 3 is a front view thereof.

FIG. 4 is a back view thereof.

FIG. 5 is a left side elevational view thereof.

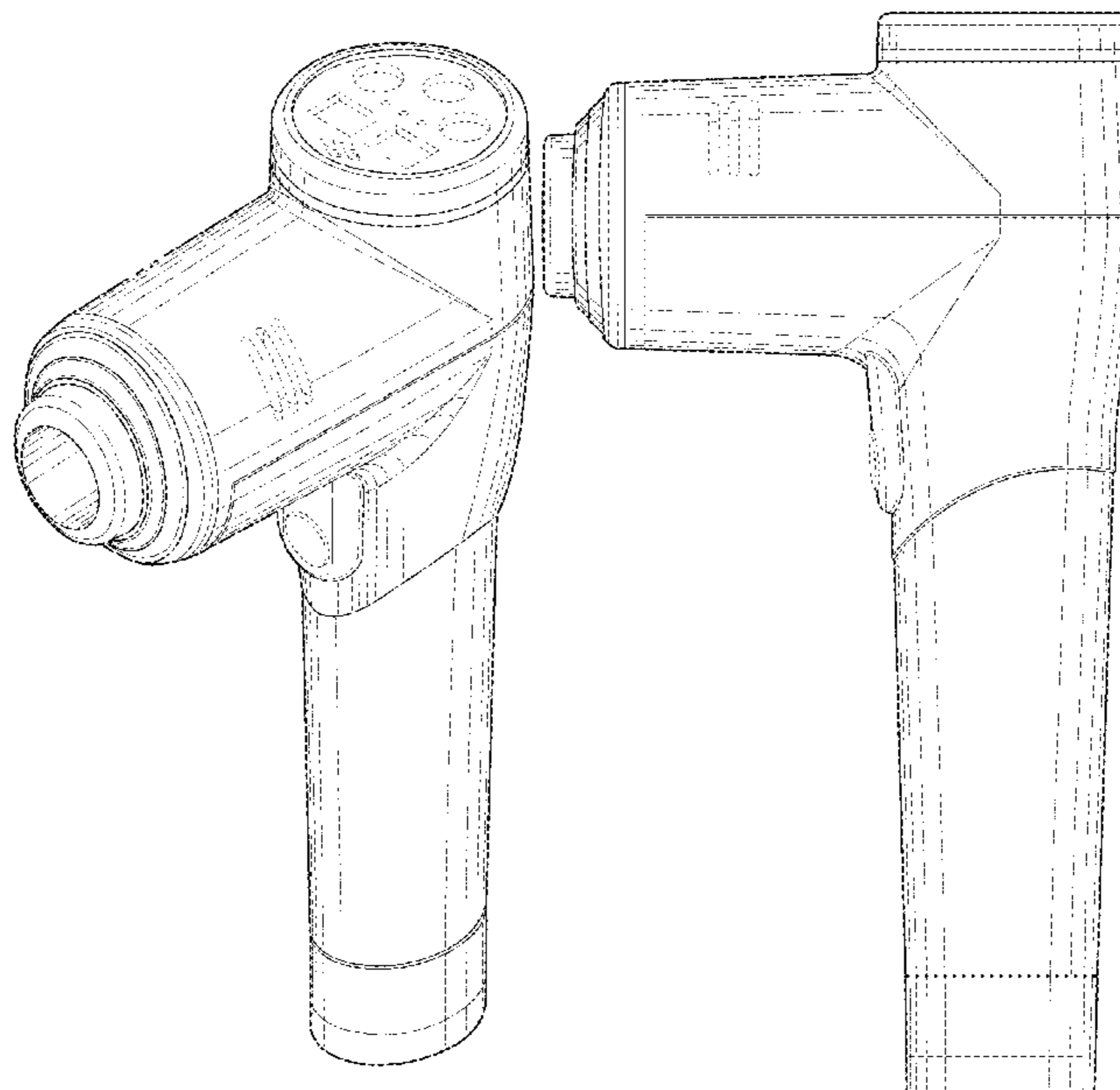
FIG. 6 is a top plan view thereof.

FIG. 7 is a bottom plan view thereof; and,

FIG. 8 is a top perspective view of a massage device, showing a massage head.

The broken lines showing vents, buttons, ports, massage head, and panels are for the purpose of illustrating unclaimed subject matter and form no part of the claimed design.

**1 Claim, 6 Drawing Sheets**



(56)

**References Cited**

OTHER PUBLICATIONS

Massage Devices. (Design—© Questel) orbit.com. [Online PDF compilation of references selected by examiner] 39 pgs. Print Dates Range Aug. 20, 2019-Aug. 11, 2020 [Retrieved Jun. 15, 2021] <https://www.orbit.com/export/UCZAH96B/pdf4/692e1edf-a735-46e8-acc4-f8c4c02069bb-141508.pdf> (Year: 2021).\*

\* cited by examiner

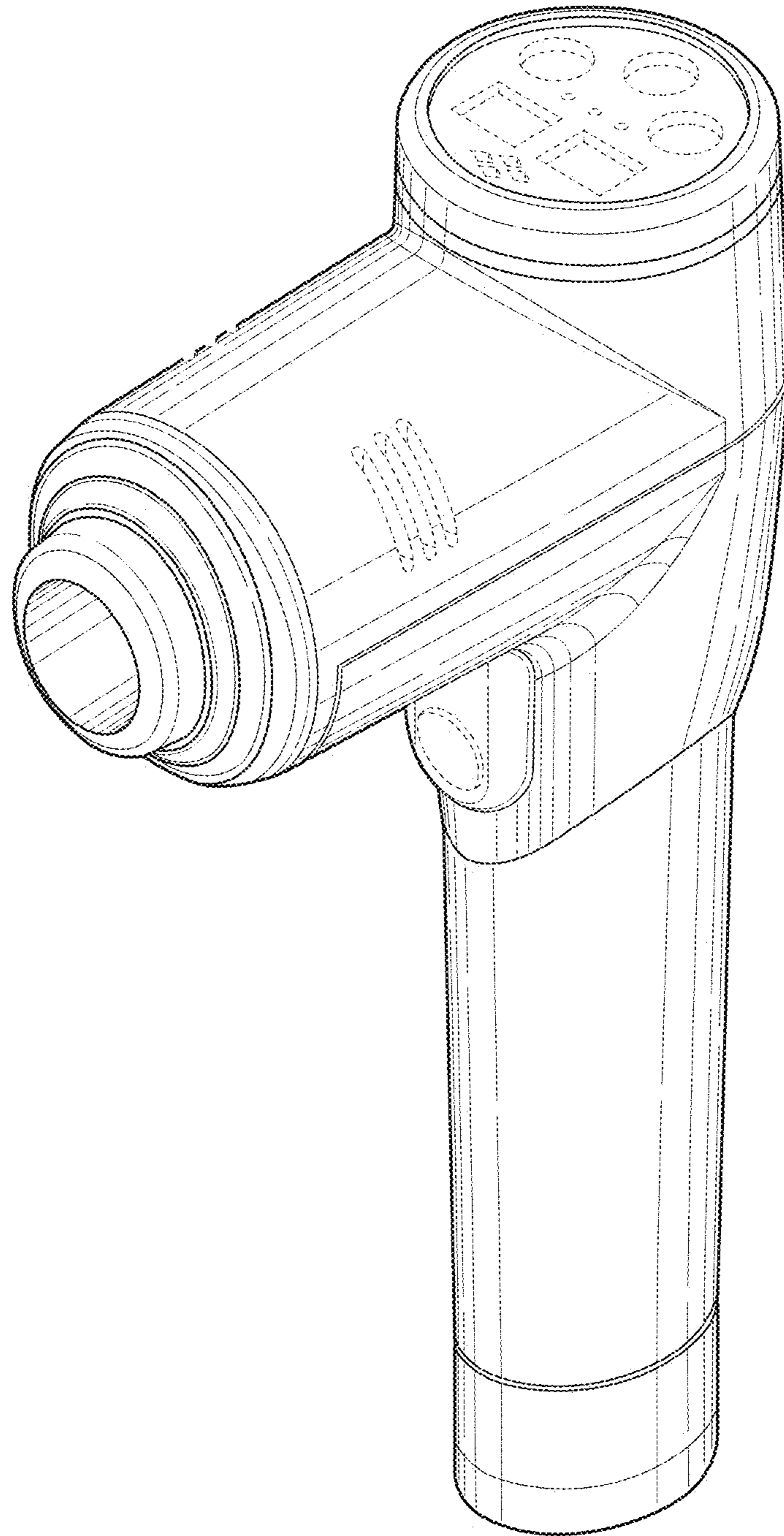


Fig. 1

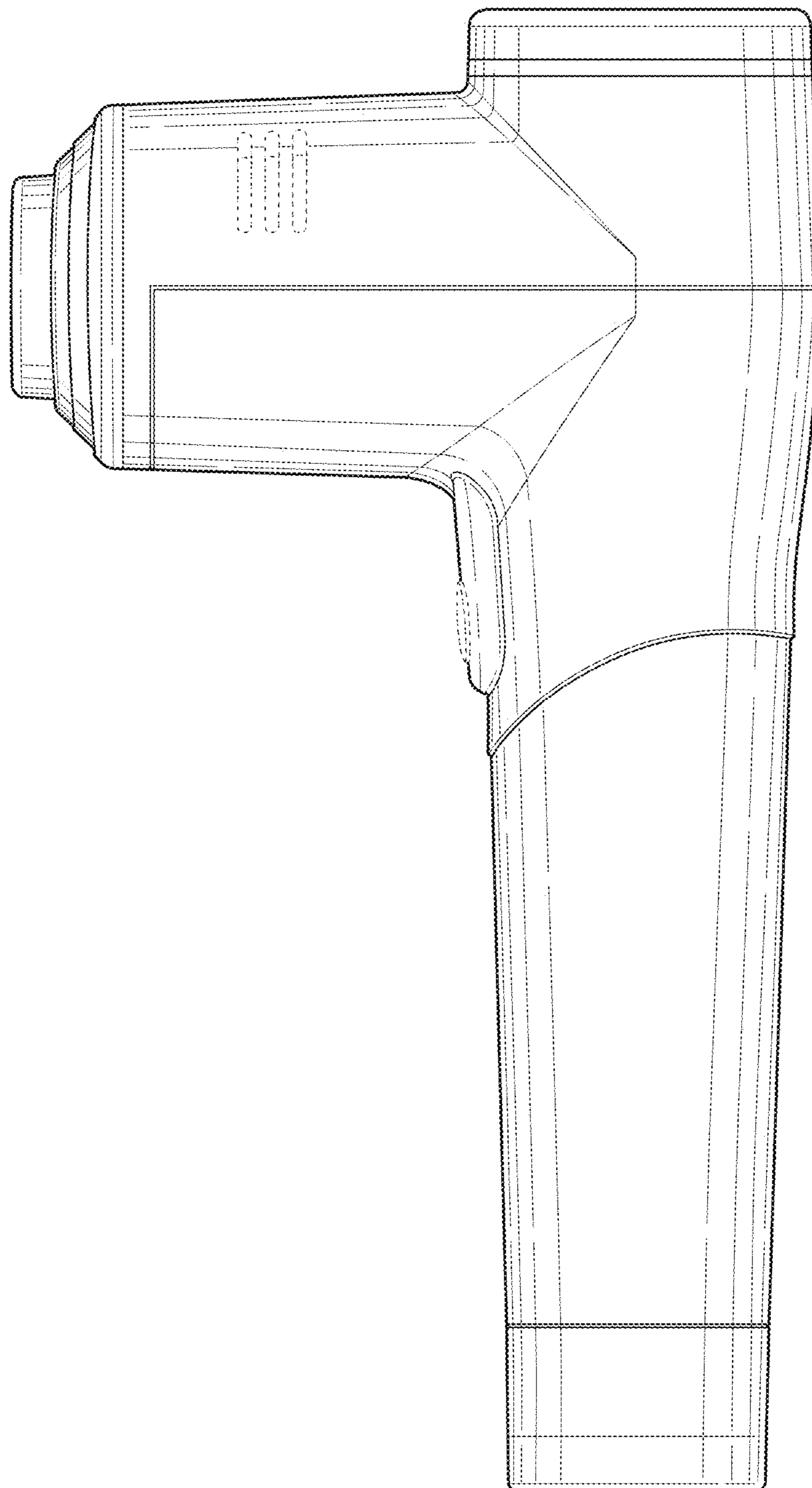


Fig.2

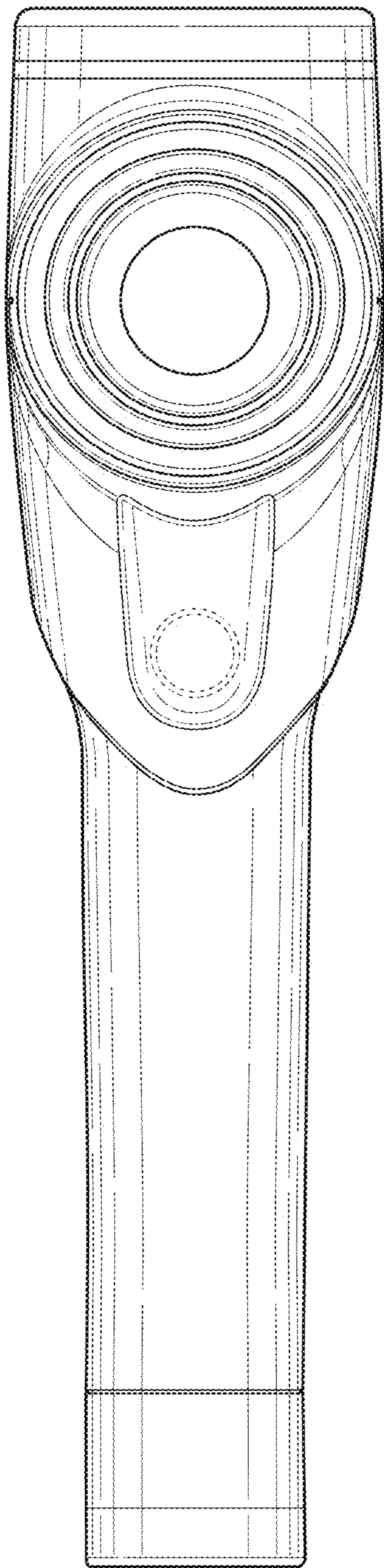


Fig.3

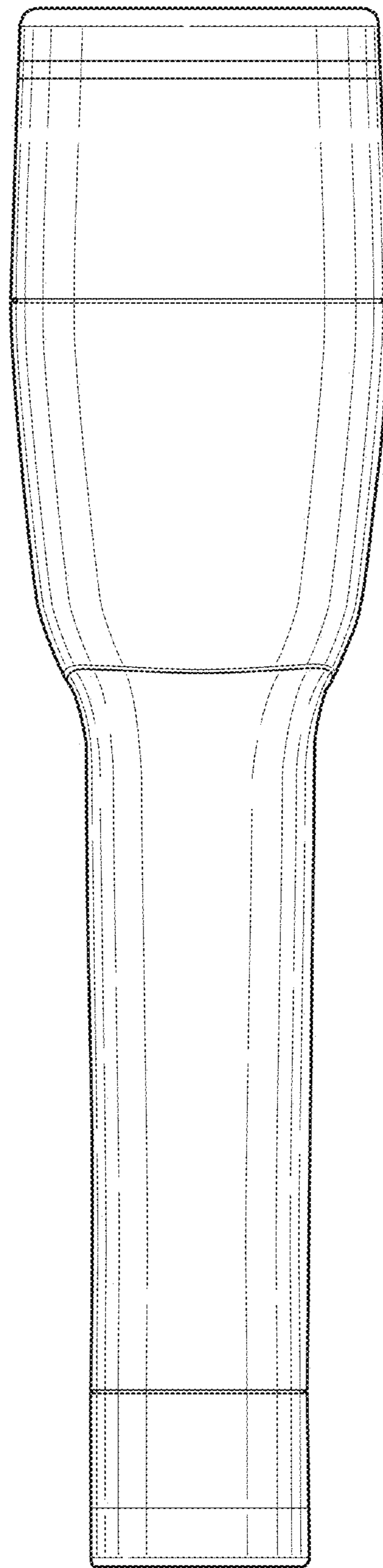


Fig.4

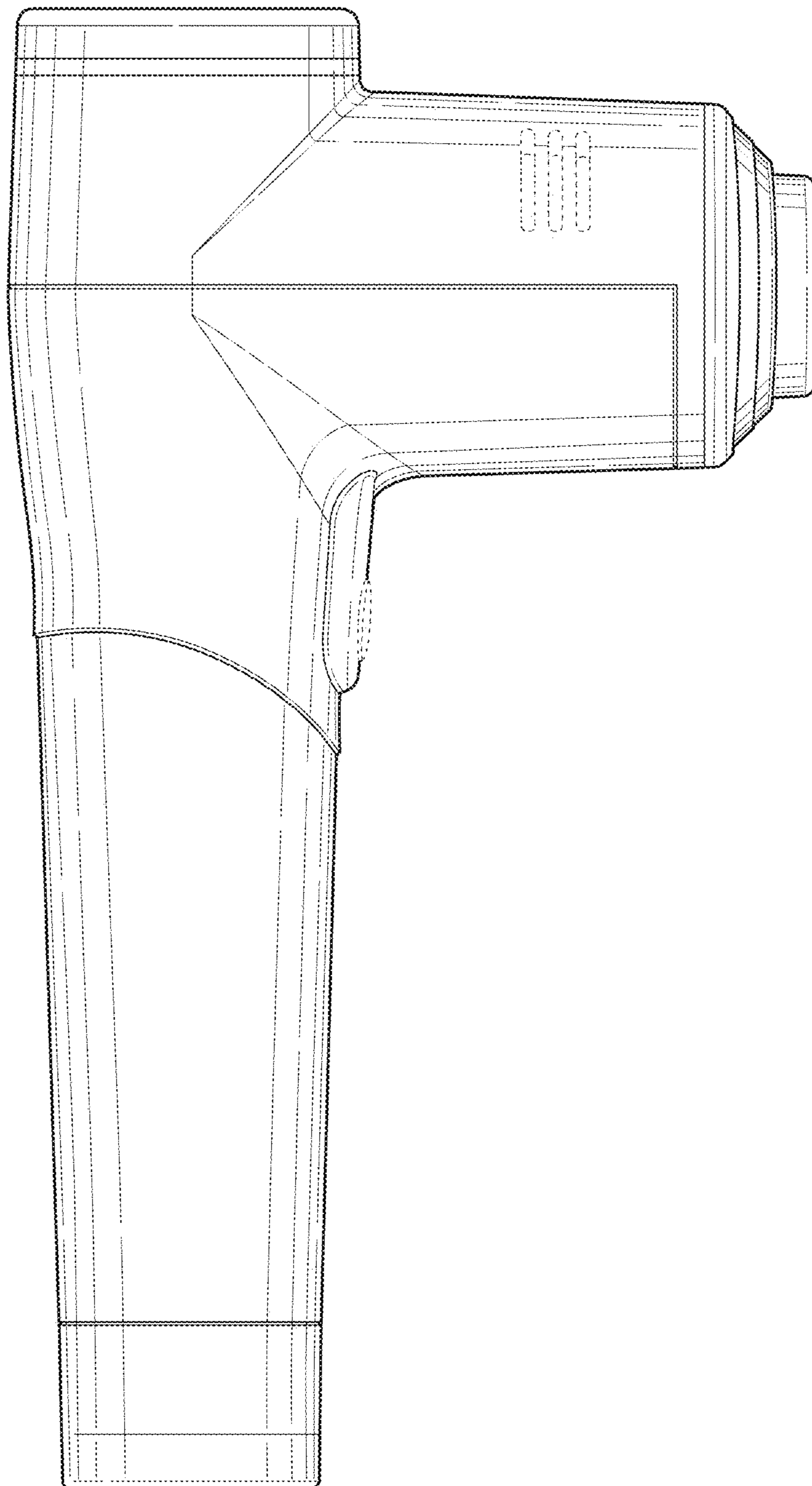


Fig.5

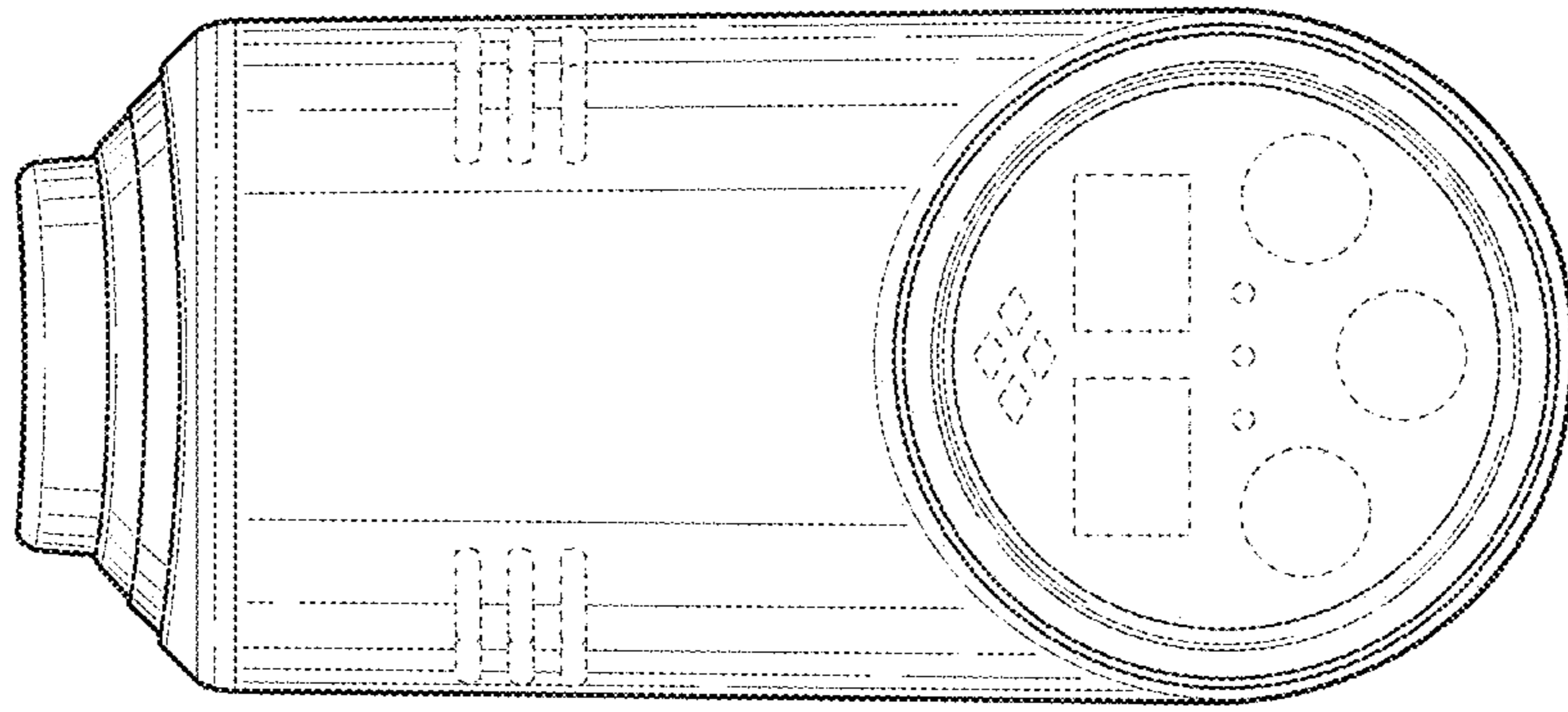


Fig. 6

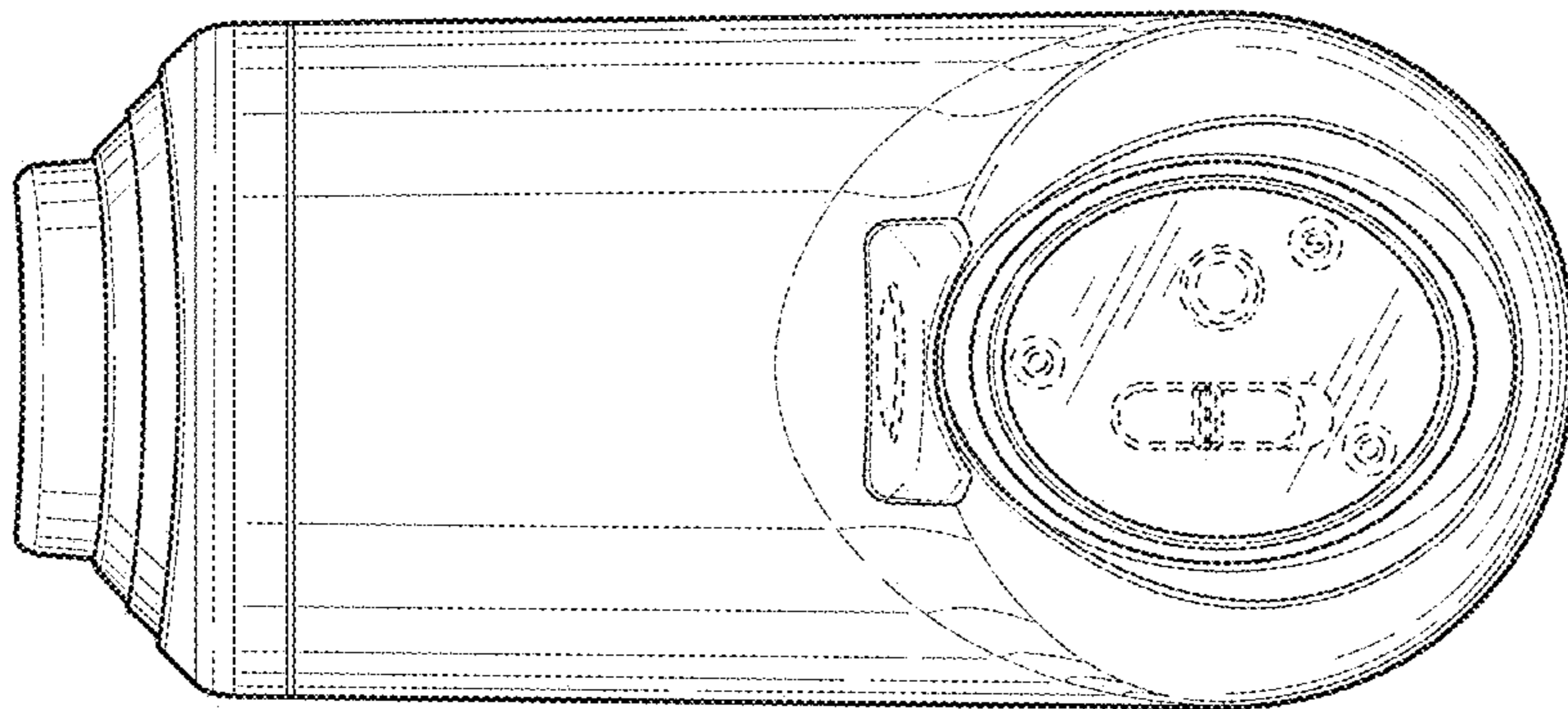


Fig. 7

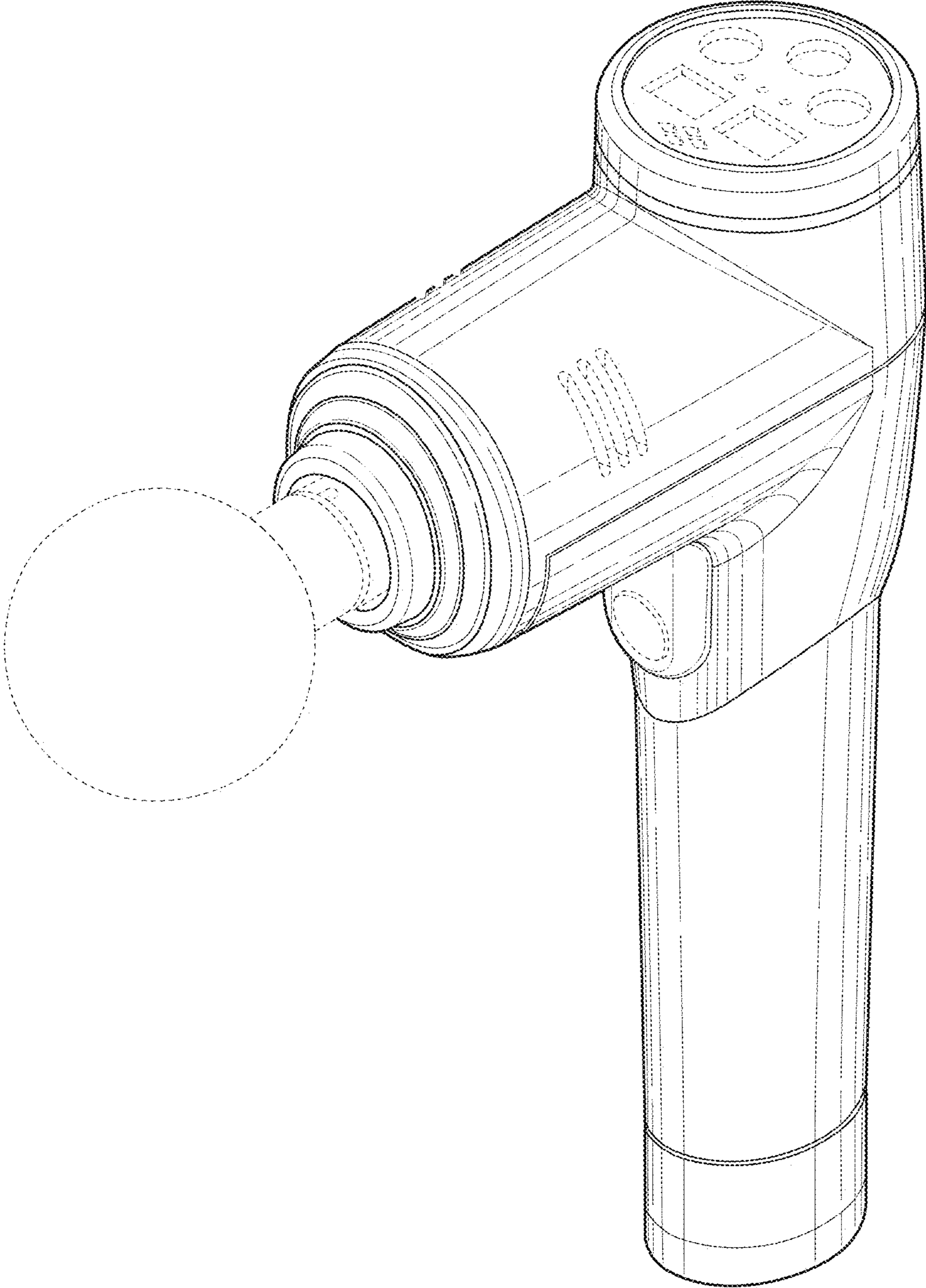


Fig.8